



gentec



kameleon
ADAPTABILITY IN LIGHTING CONTROL

GENPP1347
Power Pack & Auxiliary Relay

General Description

The GENPP1347 power pack supplies low voltage power to Gentec ceiling and wall mounted occupancy sensors. It employs a heavy duty 15A relay to switch lighting and HVAC loads based on a control signal received from the occupancy sensor. The power pack accepts 347V input and supplies up to 150mA at 24VDC.

The power pack employs a microcontroller that switches loads at minimum voltage, protecting relay contacts from high in-rush current common when switching electronic ballasts. This switching method reduces the stress across the relay contacts, preventing arc-over and assuring long reliable contact life.

Similar to the power pack, the auxiliary relay does not supply power, but switches lighting and HVAC loads based on a control signal from the occupancy sensor.

Both the power pack and auxiliary relay are housed in a rugged plenum rated enclosure, and rated for lighting and HVAC loads, including electronic ballasts. Flexible mounting scheme allows for installation inside or outside a standard 4 x 4-inch junction box.

Features

- 150mA power output for 347VAC
- Single-pole and normally open relay
- 347VAC, 60Hz: 15A ballast 5200W
- Plenum rated
- External color coded leads for quick installation
- UL and cUL listed
- Overcurrent protection



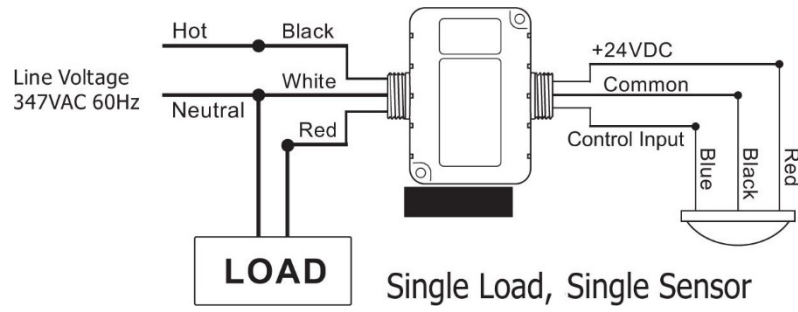
Specifications

Standard	UL & cUL listed, FCC (class 2)
Storage Temperature	-20°F to 150°F (-29°C to 65°C)
Operating Temperature	32°F to 104°F (0°C to 40°C)
Maximum Humidity	90%
AC Power Input	347VAC
Output Voltage	24VDC
Output Current	150mA
Switching Capacity	347VAC, 60Hz: 15A ballast 5200W

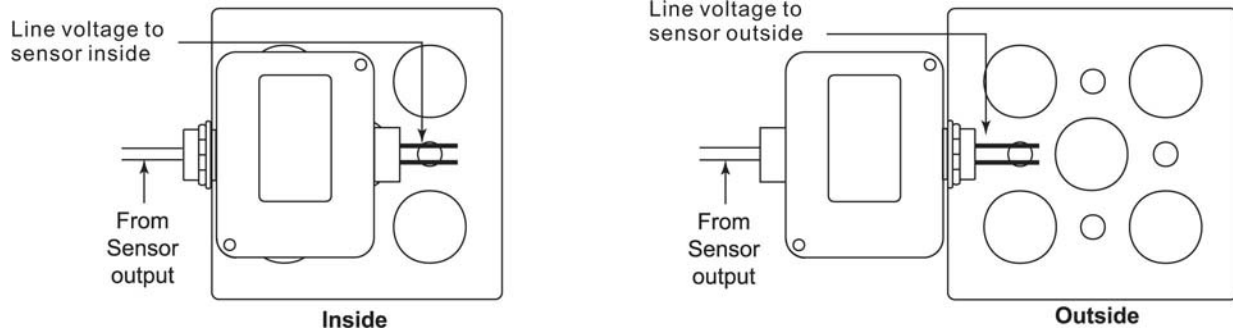
Project Name		Date
Project No.		



Wiring Diagram



Mounting Example



Ordering Information

29190	GENPP1347	Power Pack 347
29192	GENAUX24347	Auxiliary Relay 347
Part Number	Kameleon Model No.	Description



Authorised Distributor