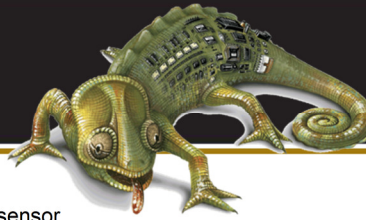




gentec



kameleon™
ADAPTABILITY IN LIGHTING CONTROL

GENWSD1277CN
Passive Infrared (DT) Wall Switch
Occupancy Sensor (Neutral Required)

General Description

The GENWSD1277CN is a commercial level occupancy sensor designed to provide maximum energy savings in a format that will complement any decor. The single circuit passive infrared and ultrasonic (DT) switch installs quickly in a standard wall box and incorporates a neutral connection.

Vacancy or occupancy mode is easily selected. As it uses dual technology (DT), this sensor is highly resistant to false ON events

Light Level Sensor Mode: Each unit includes an adjustable light level sensor to hold-off artificial lighting when adequate natural light is present.

Walk-Through Mode: To maximize energy savings, the sensor detects when areas are briefly occupied as a result of a person walking through and turns OFF lighting based ON a shorter time delay.

The single circuit PIR Wall Switch Occupancy Sensor requires a direct line of sight to room occupants in PIR only mode.

Applications

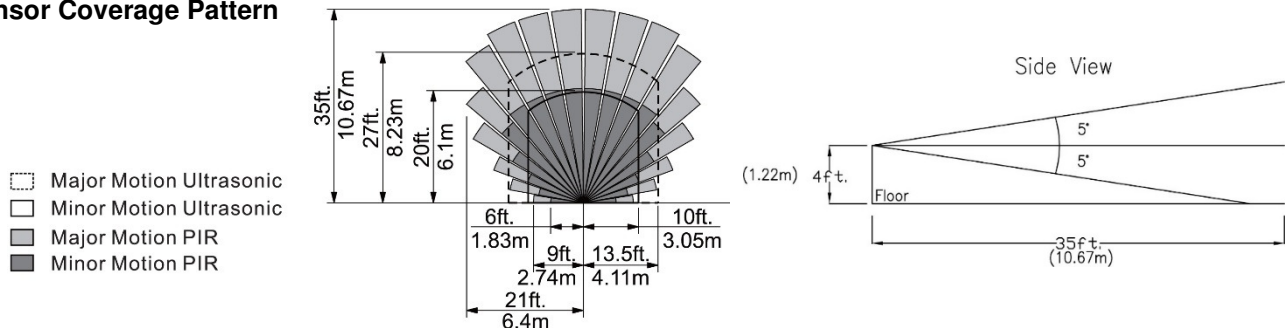
- Small Private Offices
- Utility Closets
- Private Restrooms
- Small Break Rooms
- Teachers Lounges

Features

- Manual and Auto-ON Modes
- Occupancy and Vacancy Modes
- Adjustable precise time delay via DIP switches 30 s to 30 min
- PIR Sensitivity 60% to 100%
- Ultrasonic Sensitivity 20% to 100%
- Adjustable Light Level Setting (1 to 250 fc) (10.76 to 2690 lux)



Sensor Coverage Pattern



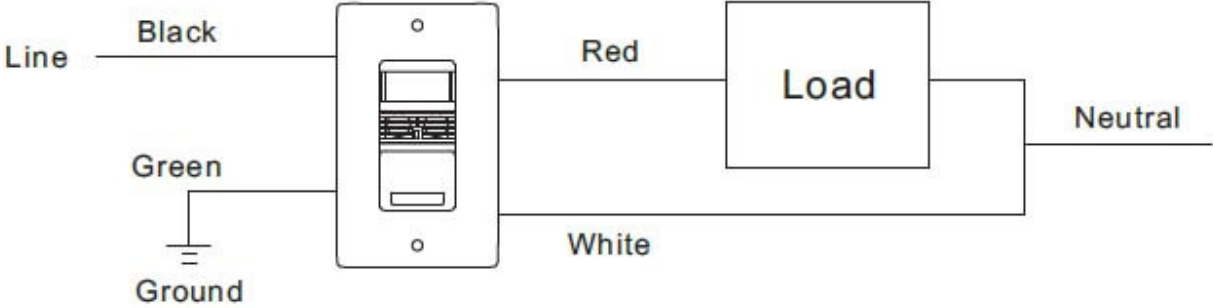
Specifications

Illumination Range	1 to 250 footcandles (10.76 to 2690 lux)
PIR Ultrasonic Sensitivity	60 to 100% / 20 to 100%
Power Input	120 to 277VAC, 50/60Hz
Standard	UL
Load	120VAC: 660VA Standard Ballast, 600VA Electronic Ballast/CFL/LED, 1000W Tungsten, 1/6 HP Motor 277VAC: 1520VA Standard Ballast

Project Name		Date
Project No.		



Wiring Diagram



Ordering Information

29458	GENWSD1277CN	Wall Switch 120/277V DT, c/w Neutral, Commercial
Part Number	Kameleon Model No.	Description



Authorised Distributor

