



gentec



kameleon-
ADAPTABILITY IN LIGHTING CONTROL

GENPP1277
Power Pack & Auxiliary Relay

General Description

The GENPP1277 power pack supplies low voltage power to Gentec ceiling and wall mounted occupancy sensors. It employs a heavy duty 20A relay to switch lighting and HVAC loads based on a control signal received from the occupancy sensor. The power pack accepts 120V and 277V input and supplies up to 100mA at 24VDC.

The power pack employs a micro-controller that switches loads at minimum voltage, protecting relay contacts from high in-rush current common when switching electronic ballasts. This switching method reduces the stress across the relay contacts, preventing arc-over and assuring long reliable contact life.

Similar to the power pack, the auxiliary relay does not supply power, but switches lighting and HVAC loads based on a control signal from the occupancy sensor.

Both the power pack and auxiliary relay are housed in a rugged plenum rated enclosure, and rated for lighting and HVAC loads, including electronic ballasts. Flexible mounting scheme allows for installation inside or outside a standard 4 x 4-inch junction box.

Features

- 100mA power output for 120 and 277VAC
- Single-pole and normally open relay
- 120/277VAC relay rated 15A for tungsten and 20A for ballast load.
- Plenum rated
- External color coded leads for quick installation
- UL and cUL listed
- Overcurrent protection



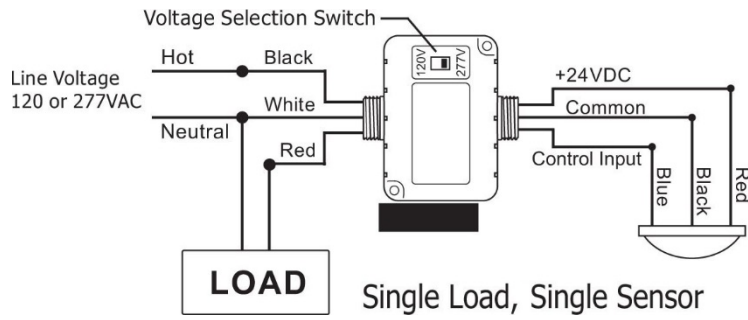
Specifications

Standard	UL & cUL listed, FCC (class 2)
Storage Temperature	-20°F to 150°F (-29°C to 65°C)
Operating Temperature	32°F to 104°F (0°C to 40°C)
Maximum Humidity	90%
AC Power Input	120/277VAC
Output Voltage	24VDC
Output Current	120/277VAC 100mA
Switching Capacity	120VAC, 60Hz: 15A tungsten 1800W 20A ballast 2400W 1HP 277VAC, 60Hz: 20A ballast 5000W

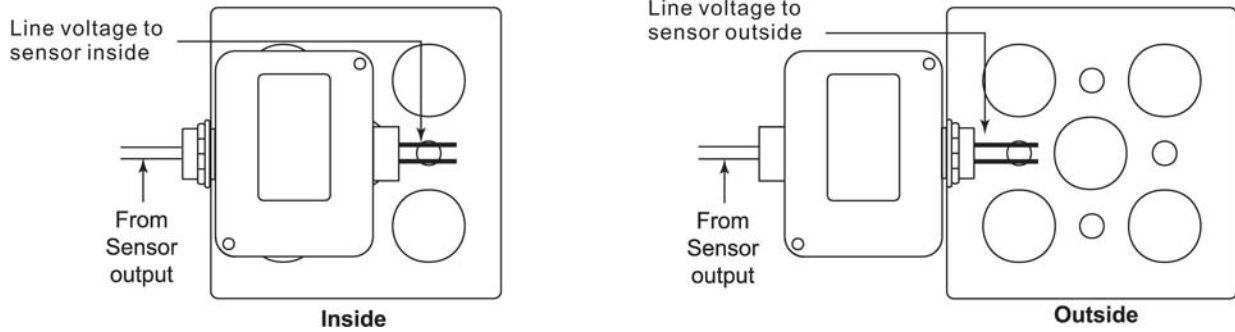
Project Name		Date
Project No.		



Wiring Diagram



Mounting Example



Ordering Information

29189	GENPP1277	Power Pack 120/277
29191	GENAUX24	Auxiliary Relay 120/277
Part Number	Kameleon Model No.	Description



Authorised Distributor