

Switches

General Description

WR-8001

- Wall-Mounted Rocker Type Relay Switch
- To operate, press rocker to one side for ON and to the other side for OFF
- Three WR-8001 can fit into one gang size, WN-3700 mounting strap required



WR-8001

WR-5092

- Wall-Mounted Key Operated Enable/Disable Switch
- Three WN-5092 can fit into one gang size, WN-3700 mounting strap required
- Typical application is for security, maintenance and cleaning tour
- Use switch to interrupt common (white) to switch(es) to disable wall switch



WR-5092

WR-8501

- Wall-Mounted LED Indicating Push-Button Relay Switch
- To operate, press for ON, press again for OFF
- Clear plastic cap on button holds switch function label
- Three WR-8501 can fit into one gang size, WN-3700 mounting strap required



WR-8501

WR-8503

- WR-8503 has a built-in mounting strap
- All three switches from WR-8503 obtain the input from a common terminal



WR-8503

MC-1138

MC-1138-C (Key Switched)

- Integrated Stainless Steel Plate
- Wall-Mounted Key Type Momentary Contact Relay Switch
- Mount to Standard Wall Boxes
- To operate, turn key to the right for ON, to the left for OFF



MC-1138-C

Switch Plates

General Description

- **WN-7600 Series:** Brushed stainless steel visible crew for WR switch series
- **WN-6000 Series:** Plastic cover plates – beige color, gloss finish – snap-on cover plate and a screw-on trim plate – mounting screws are hidden for WR switch series
- **WN-7100x Series:** Plastic cover plates – matte finish – snap-on cover plate and a screw-on trim plate – invisible screws for WR switch series – W: white – H: Grey – Y: beige



WN-7600 Series

WN-6000 Series

WN-7100x Series

MC-1158 Series

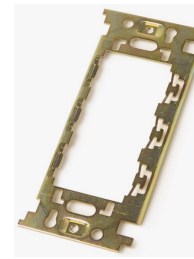
Switch Accessories

General Description

- **WN-2700 Series:** Switch lid made of clear plastic - Cover for 1 gang/1, 2 or 3 devices opening - Auto-adhesive cover
- **WN-3700 Series:** Steel, plated finish – mounts standard wall boxes – 1, 2 or 3 devices can be installed into each strap
- **WN-3020 Series:** Use filler chip to fill device spaces – color of filler chip identical to cream white of Gentec
- **WN-7700 Series:** Steel switch enclosure – lockable door – all colors available – flush or surface mount



WN-2700



WN-3700



WN-3020




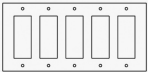

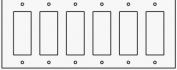






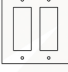

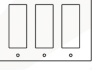

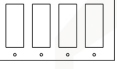

WN-7700

Specifications

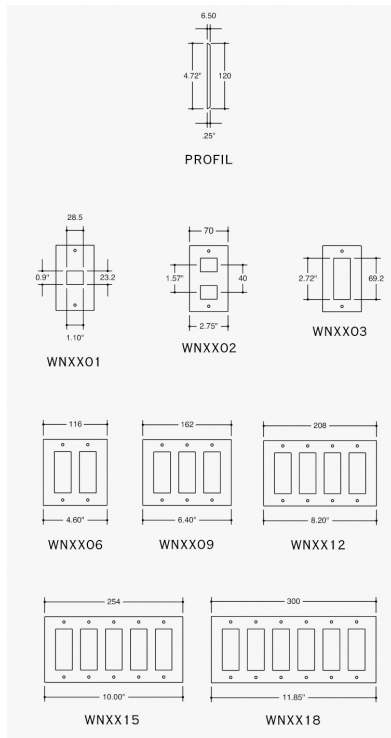
<p>WR-8001</p> <ul style="list-style-type: none"> ● 3 A 24 V Reversible Polarity Pulse ● Maximum of 8 Relays Operable ● No limit to number of switches connected to a relay 	<p>MC-1138</p> <ul style="list-style-type: none"> ● 3 A 24 V Reversible Polarity Pulse ● Maximum of 4 relays operable with one switch ● No limit of switches connected to the relay 	
<p>WN-5092</p> <ul style="list-style-type: none"> ● 3 A 24 V ● Single Pole, Double Throw Key Switch ● Cannot be directly connected to relays 	<p>WN-7700</p> <ul style="list-style-type: none"> WN-7722-* 2-Gang Enclosure WN-7733-* 3-Gang Enclosure WN-7744-* 4-Gang Enclosure WN-7755-* 5-Gang Enclosure WN-7766-* 6-Gang Enclosure 	<ul style="list-style-type: none"> WN-7788-* 8-Gang Enclosure WN-772525-* 2x5-Gang Enclosure WN-772626-* 2x6-Gang Enclosure WN-772828-* 2x8-Gang Enclosure <p>* - S Surface Mounted * - F Flush Mounted</p>
<p>WR-8501/WR-8503</p> <ul style="list-style-type: none"> ● 1.5 A 24 V Reversible Polarity Pulse ● Maximum of 4 relays operable with one switch ● Limit of 6 LED switches connected to one relay 		



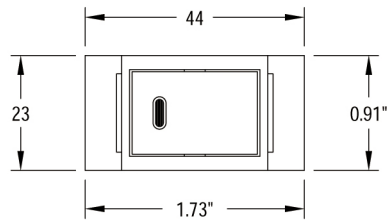
Part numbers (plates)

 WN-XX01 1 GANG 1 DEVICE	 WN-XX15 5 GANG 15 DEVICE
 WN-XX02 1 GANG 2 DEVICE	 WN-XX18 6 GANG 18 DEVICE
 WN-XX03 1 GANG 3 DEVICE	 WN-XX72 2 GANG 2 DEVICE
 WN-XX04 2 GANG 4 DEVICE	 WN-XX74 2 GANG 3+1 DEVICE
 WN-XX05 2 GANG 5 DEVICE	 WN-XX79 3 GANG 1+1+1 DEVICE
 WN-XX06 2 GANG 6 DEVICE	 WN-XX91 1 GANG BLANK
 WN-XX09 3 GANG 9 DEVICE	 WN-XX92 2 GANG BLANK
 WN-XX12 4 GANG 12 DEVICE	 WN-XX93 3 GANG BLANK

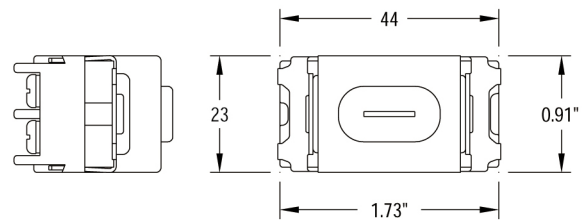
Dimensions (plates)



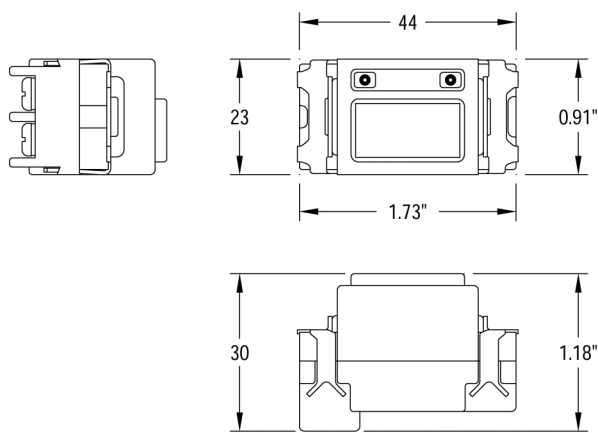
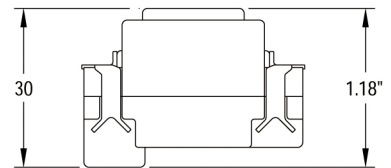
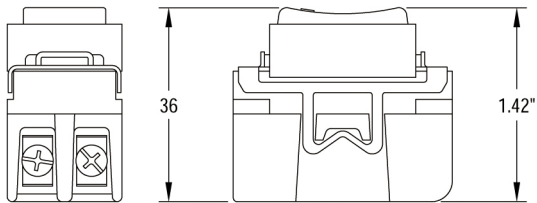
Dimensions (switches)



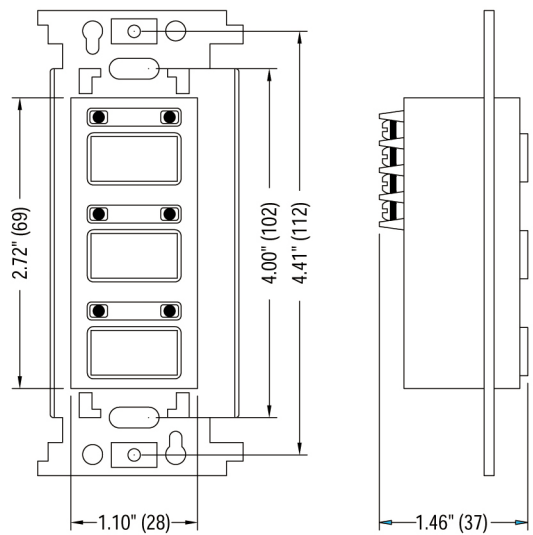
WR-8001



WN-5092



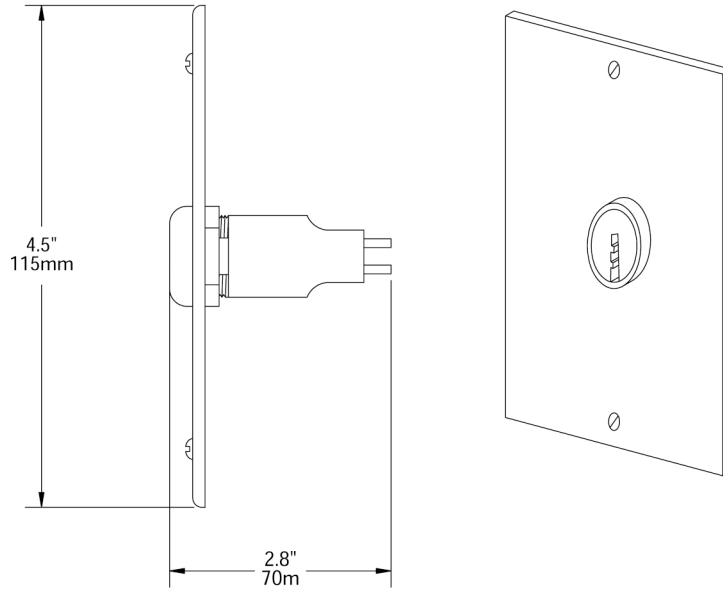
WR-8501



WR-8503

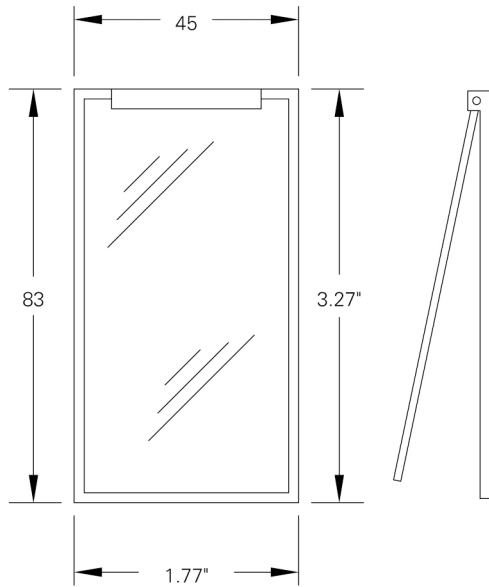


Dimensions (switches) continued

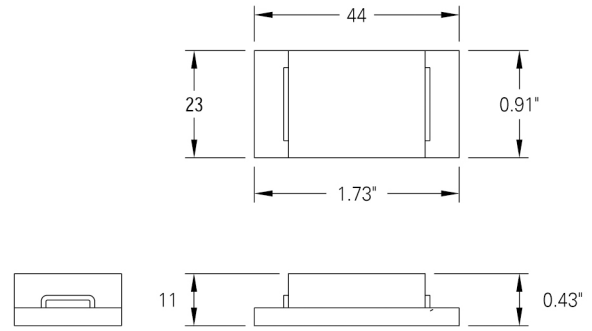


MC-1138-C (KEY SWITCH)

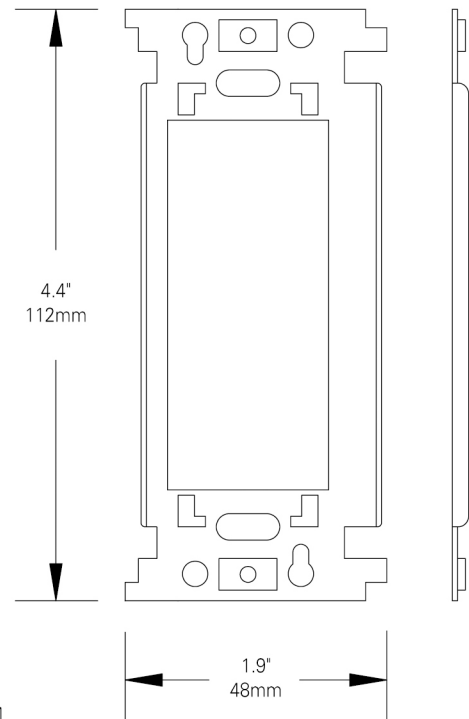
Dimensions (accessories)



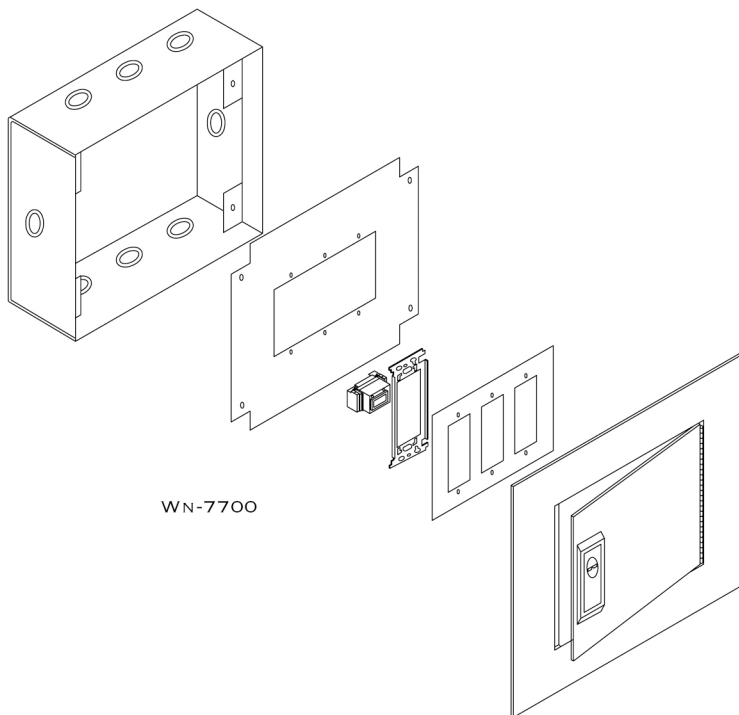
WN-2700



WN-3020



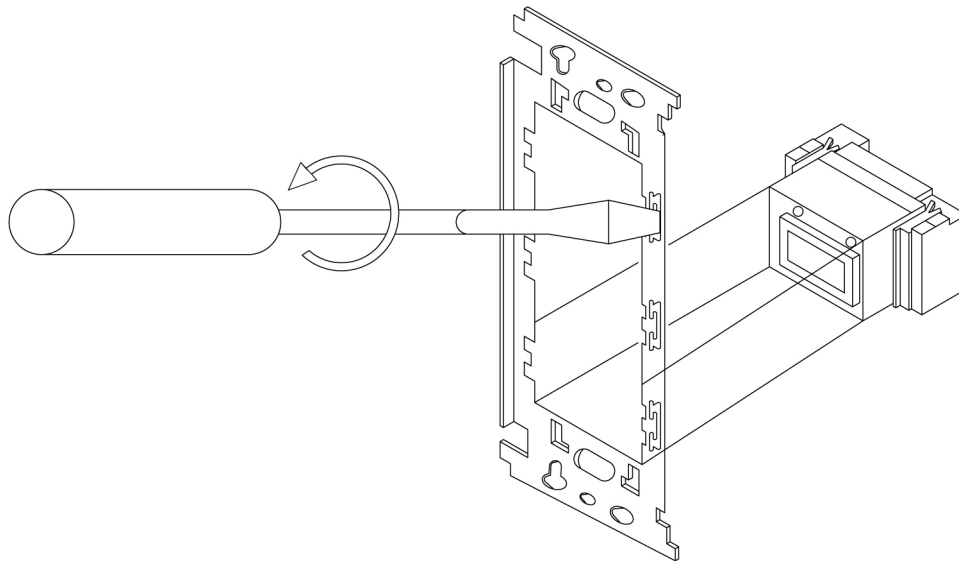
WN-3700



WN-7700



Mounting Method



Ordering Information (switches)

30884	MC	-1138-C	Key Switch
24913	WN	-5092	Key Switch
20530	WR	-8001	Rocker Switch, No Indicator
30338	WR	-8501	Two Indicators, Push-Button Switch
24824	WR	-8503	Three Indicators Push-Button Switch
Part No.	Switch	Switch	Type

Ordering Information (plates)

30346	WN	-3700	Mounting Bracket 1, 2, or 3 Devices
25030	WN	-6201	1 Gang / 1 Device (Plastic)
30347	WN	-7601	1 Gang / 1 Device (Stainless Steel)
25032	WN	-6202	1 Gang / 2 Devices (Stainless Steel)
30348	WN	-7602	1 Gang / 2 Devices (Stainless Steel)
25033	WN	-6203	1 Gang / 3 Devices (Plastic)
30349	WN	-7603	1 Gang / 3 Devices (Stainless Steel)
25034	WN	-6204	2 Gangs / 4 Devices (Plastic)
30995	WN	-7604	2 Gangs / 4 Devices (Stainless Steel)
25035	WN	-6206	2 Gangs / 6 Devices (Plastic)
30996	WN	-7606	2 Gangs / 6 Devices (Stainless Steel)
24308	WN	-7609	3 Gangs / 9 Devices (Stainless Steel)
24309	WN	-7612	4 Gangs / 12 Devices (Stainless Steel)
24759	WN	-7615	5 Gangs / 15 Devices (Stainless Steel)
24760	WN	-7618	6 Gangs / 18 Devices (Stainless Steel)
26092	WN	-3801	Mullion Mounting Bracket 1 Switch
26090	WN	-3851	Mullion Plate 1 Switch
26093	WN	-3802	Mullion Mounting Bracket 2 Switches
26091	WN	-3852	Mullion Plate 2 Switches
Part No.	Plates	Plates	Type

Ordering Information (accessories)

24310	WN	-3020	Filler Chip
24912	WV	-2700	Plastic Cover
38163-03	WN	-7700-3	Master Switches Station (3G/9D)
38163-05	WN	-7700-5	Master Switches Station (5 G/15D)
Part No.	Accessories	Accessories	Type
IMPORTANT: ALL SWITCHES ARE EXTRA IN PRICE ADDER			



Authorised Distributor