



gentec



kameleon  
ADAPTABILITY IN LIGHTING CONTROL

GENCUS2000  
Ceiling Mount Ultrasonic  
Occupancy Sensor

### General Description

The GENCUS2000 ceiling-mounted Ultrasonic Occupancy Sensor employs ultrasonic technology to accurately detect occupancy and automatically turn ON lighting. This low profile sensor is ideal for motion detection over partitions and other common obstructions. Once lighting has been turned ON, it employs ultrasonic technology to keep lighting ON while areas remain occupied. When the room or area is no longer occupied, the sensor turns OFF lighting after a preset time delay.

The low profile sensor is ceiling-mounted for greatest sensitivity to motion in large areas with obstructions. With a 360-degree field of view and up to 2000 square feet of coverage area, the ceiling-mounted Ultrasonic Occupancy Sensor is ideal for conference rooms, classrooms, bathrooms, and large office areas.

These ceiling-mounted sensors also incorporate an integral light level sensor to prevent lighting from switching ON when sufficient ambient light is present, such as is commonly found in windowed areas.

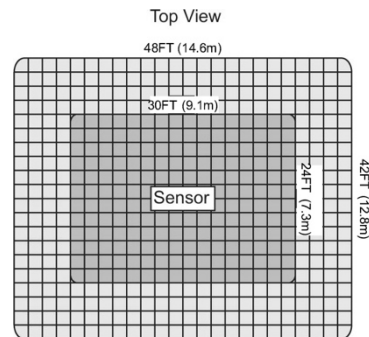
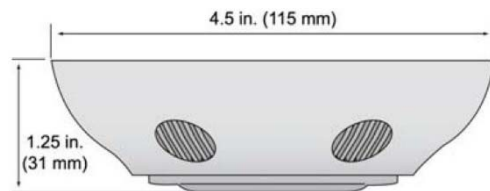
Installation and configuration is simple. The sensor readily mounts to drop ceilings and features front located adjustments for setting sensitivity and time delay. The sensor also features an isolated relay for use with building automation and HVAC systems.

### Features

- Ultrasonic motion detection
- Adjustable motion sensor sensitivity (45 to 100%)
- Ambient light level control system
- Adjustable light level control (0.5 to 250 fc (5.4 to 2691 lux))
- Adjustable delay OFF time (15 sec. to 20 min.)
- Turns the load ON manually if sensor has failed.
- 24VDC input
- EMS function: Isolated relay



### Ultrasonic Sensor Measurements



Area of detection

- Major Motion
- Minor Motion

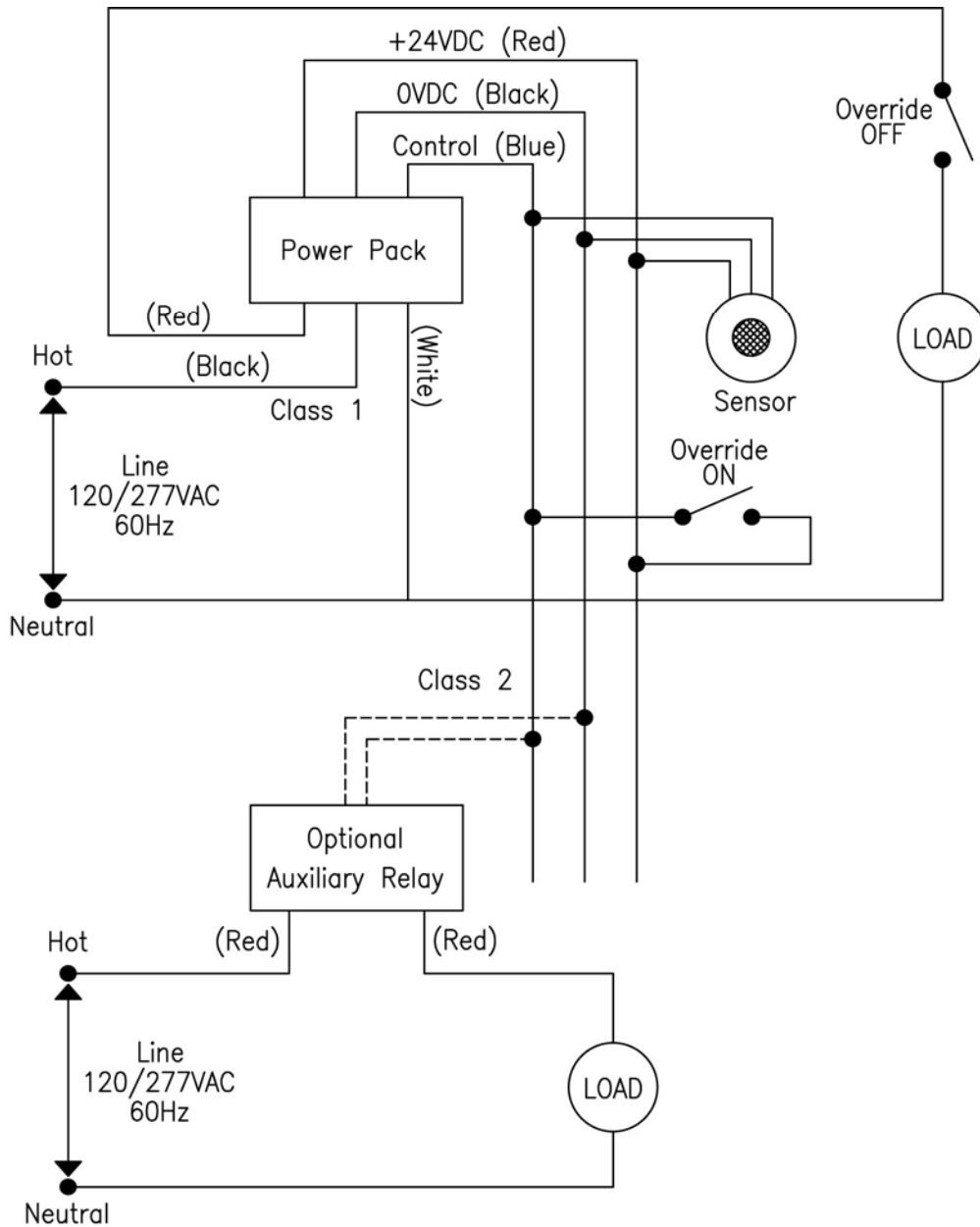
### Specifications

Illumination Range	0.5 to 250 footcandles (5.4 to 2691 lux)
Detection Area	2000 square-feet (185 m <sup>2</sup> )
Power Input	24VDC/AC
EMS Output	1 x 1A @ 24VDC Resistive
Current Consumption @ 24VDC	34 mA Nominal
Operating Temperature	32 to 122°F (0 to 50°C)
Maximum Humidity	90% RH Non-condensing
Standard	UL and cUL Listed Title 24 Certified

Project Name		Date
Project No.		



# Wiring Diagram



## Ordering Information

29187	GENCUS2000	Ceiling-Mounted Ultrasonic Occupancy Sensor
29189	GENPP1277	Power Pack 120/277
29190	GENPP1347	Power Pack 347
29191	GENAUX24	Auxiliary Relay 120/277
29192	GENAUX24347	Auxiliary Relay 347
Part Number	Kameleon Model No.	Description



Authorised Distributor