

LITHIUM-LINE

Lithium/Thionyl Chloride (Li/SOCl₂) – Batteries

3,6 Volt Nominal Voltage – Temperature Range -55°C ~ +85°C



LITHIUM-LINE LI-100

- ┆ High Capacity
- ┆ For low current developments

part no.	type	size	nominal capacity	max. continuous discharge current	max. pulse discharge current	weight	pin-configuration
20.08910	LI-110	½ AA	1200 mAh	40 mA	100 mA	10 g	S
20.08911	LI-110	½ AA	1200 mAh	40 mA	100 mA	10 g	T
20.08912	LI-110	½ AA	1200 mAh	40 mA	100 mA	10 g	P
20.08913	LI-110	½ AA	1200 mAh	40 mA	100 mA	10 g	PT
20.08920	LI-120	⅔ AA	1650 mAh	75 mA	150 mA	12 g	S
20.08921	LI-120	⅔ AA	1650 mAh	75 mA	150 mA	12 g	T
20.08922	LI-120	⅔ AA	1650 mAh	75 mA	150 mA	12 g	P
20.08923	LI-120	⅔ AA	1650 mAh	75 mA	150 mA	12 g	PT
20.08930	LI-130	AA	2600 mAh	100 mA	200 mA	19 g	S
20.08931	LI-130	AA	2600 mAh	100 mA	200 mA	19 g	T
20.08932	LI-130	AA	2600 mAh	100 mA	200 mA	19 g	P
20.08933	LI-130	AA	2600 mAh	100 mA	200 mA	19 g	PT
20.08940	LI-140	A	3400 mAh	130 mA	180 mA	26 g	S
20.08941	LI-140	A	3400 mAh	130 mA	180 mA	26 g	T
20.08942	LI-140	A	3400 mAh	130 mA	180 mA	26 g	P
20.08945	LI-145	A	4000 mAh	130 mA	180 mA	28 g	S
20.08946	LI-145	A	4000 mAh	130 mA	180 mA	28 g	T
20.08947	LI-145	A	4000 mAh	130 mA	180 mA	28 g	P
20.08950	LI-150	C	8500 mAh	150 mA	300 mA	51 g	S
20.08951	LI-150	C	8500 mAh	150 mA	300 mA	51 g	T
20.08952	LI-150	C	8500 mAh	150 mA	300 mA	51 g	P
20.08960	LI-160	D	19000 mAh	230 mA	400 mA	100 g	S
20.08961	LI-160	D	19000 mAh	230 mA	400 mA	100 g	T
20.08962	LI-160	D	19000 mAh	230 mA	400 mA	100 g	P
20.08990	LI-170	DD	35000 mAh	420 mA	500 mA	195 g	S
20.08910	LI-170	DD	35000 mAh	420 mA	500 mA	195 g	T

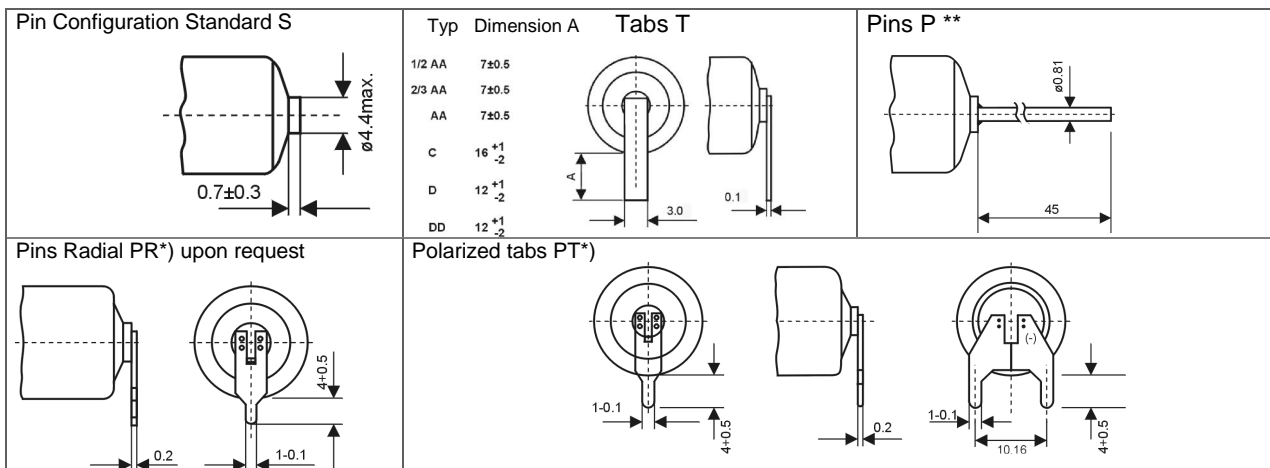
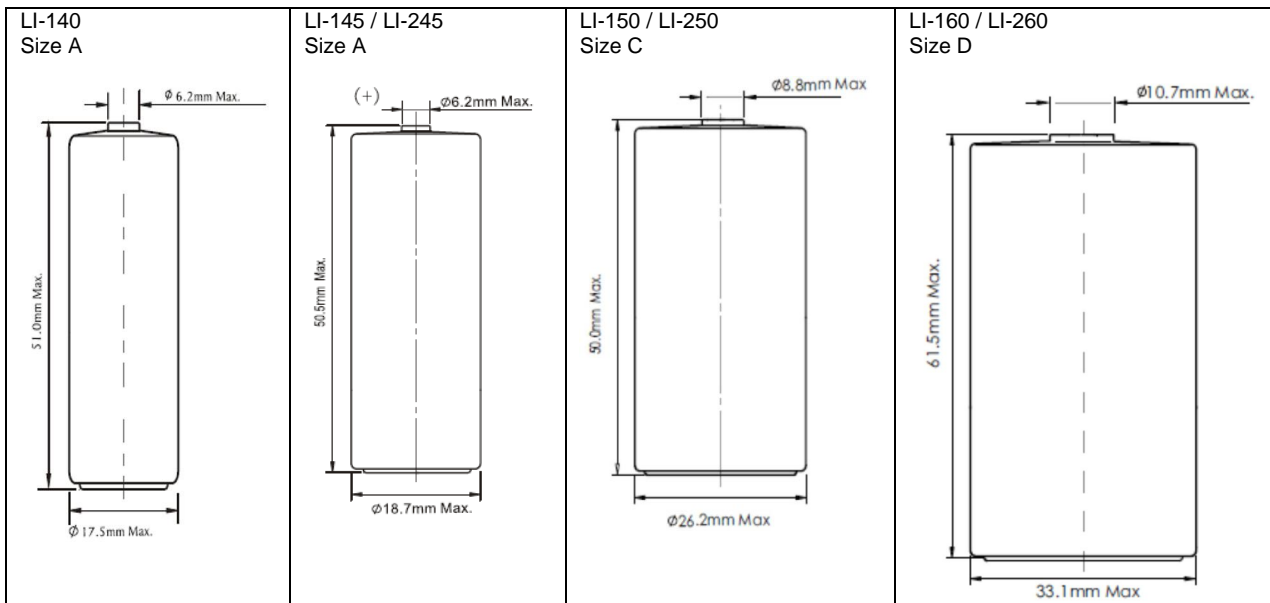
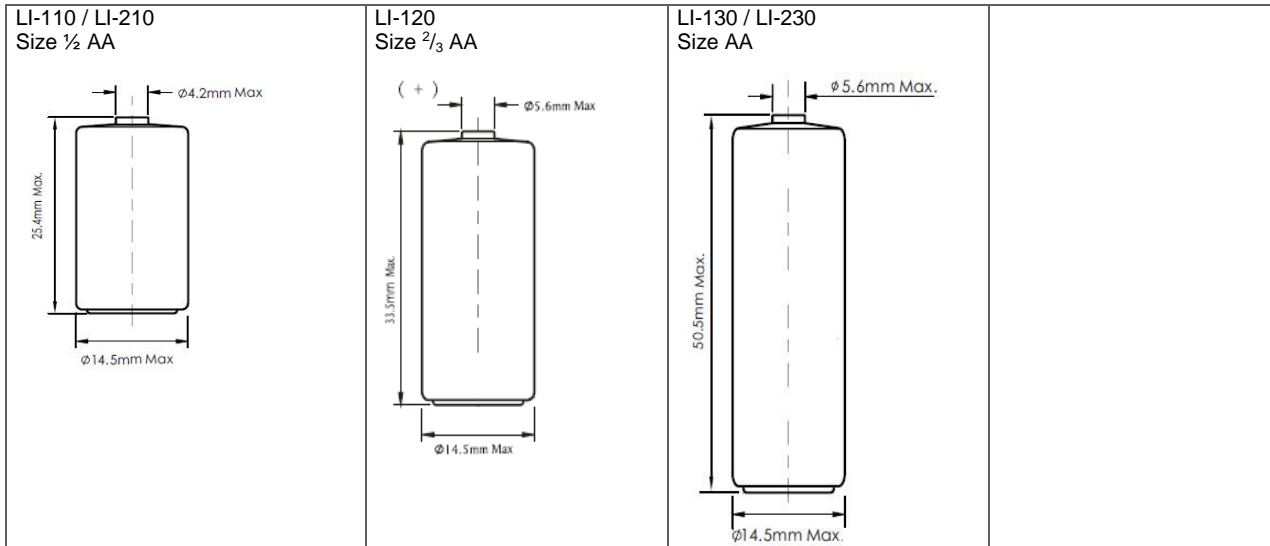
LITHIUM-LINE LI-200

- ┆ Spiral construction allows a higher discharge current
- ┆ Less weight

20.08981	LI-210	½ AA	750 mAh	100 mA	350 mA	10 g	S
20.08982	LI-230	AA	2000 mAh	400 mA	1000 mA	19 g	S
20.08985	LI-245	A	3500 mAh	1000 mA	2000 mA	33 g	S
20.08986	LI-250	C	6500 mAh	1000 mA	2000 mA	52 g	S
20.08987	LI-260	D	13000 mAh	2000 mA	4000 mA	110 g	S

Detailed technical information: see datasheets

Cells of **High-temperature serie LI-300** for project design-in are available upon request.



*) Only available for ½ AA and AA
**) Please note our customer information: Processing of cells w/ axial pins (/P Versions) (next page)

****) Customer Information**
according processing of cells w/ axial pins (/P versions)

GEYER ELECTRONIC recommends his customers to use special care during bending of the welded axial pins of Primary cells (where applicable). The pins may be damaged at the welding point if the distance to the bending point is too small. A minimum distance of 5 mm is recommended to avoid damages. In addition, we recommend the use of a supportive bending tool to sustain the bending point. If these recommendations are followed there is no limit for the angle of bending.

