

FEATURES

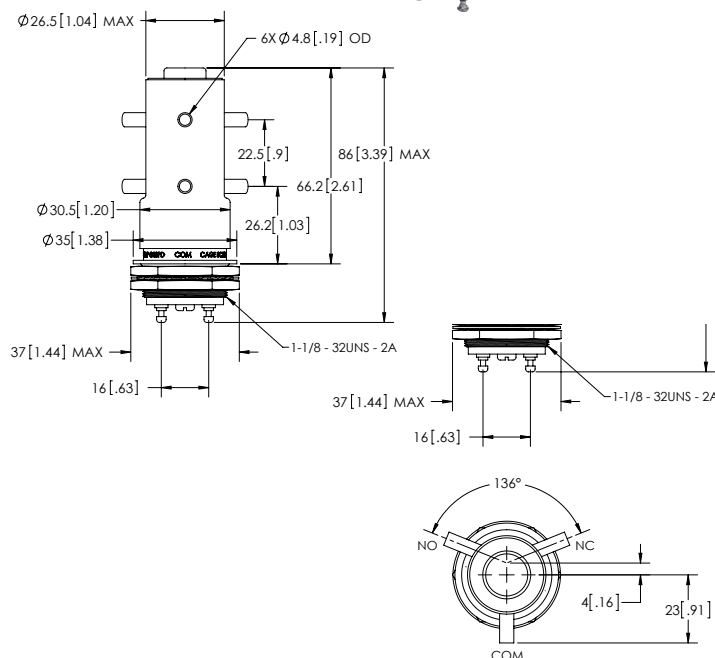
- > Low stable contact resistance for high carry current and low voltage drop
- > Low loss in RF circuits
- > Mounting options in any axis
- > Solder or convenient threaded HV connections



PRODUCT SPECIFICATIONS

Contact & Relay Ratings	Units	G2SPD
Contact Form		2C
Contact Arrangement		DPDT
Contact Material (moveable/stationary)		molybdenum /tungsten
Dielectric		Vacuum
Voltage, Test Max., Contacts & to Base (15 µA Leakage Max.) dc or 60Hz	kV Peak	17
Voltage, Operating Max., Contacts & to Base (15 µA Leakage Max.)		
dc or 60 Hz	kV Peak	15
2.5 MHz	kV Peak	12
16 MHz	kV Peak	9
32 MHz	kV Peak	7
Current, Load Switching		Contact factory **
Current, Continuous Carry Max		
dc or 60 Hz	Amps	50
2.5 MHz	Amps	30
16 MHz	Amps	17.5
32 MHz	Amps	10
Coil Hi-Pot (V RMS, 60 Hz)	V	500
Capacitance		
Across Open Contacts	pF	1
Contacts to Ground	pF	2.5
Resistance, Contact Max @ 1A, 28 Vdc	ohms	0.012
Operate Time	ms	20
Release Time	ms	8
Life, Mechanical	cycles	1 million
Weight, Nominal	g (oz)	160 (6)
Vibration, Operating, Sine (55-500 Hz Peak)	G's	10
Shock, Operating, 1/2 Sine 11ms (Peak)	G's	1.5
Temperature Ambient Operating	°C	-55 to +125

** Consult factory for load switching applications.



COIL RATINGS

Nominal, Volts dc	12	26.5
Pick-up, Volts dc, Max.	8	16
Drop-Out, Volts dc	.5 - 5	1 - 10
Coil Resistance (Ohms ±10%)	60	285

PART NUMBER SYSTEM

G2	S	P	D
High Voltage/Power Terminal Connections	S = Solder Pot W = Screw		
Mounting		P = Through Panel	
Coil Voltage*			D = 26.5 Vdc D-12Vdc = 12Vdc

* Order the relay with the coil voltage in the part number as shown above. The coil voltage will appear on the coil plate near the coil terminals rather than in the P/N on the relay.