



### FEATURES

- > Possibly the smallest 70kV relay in the universe
- > Flying wire leads provide easy power connection
- > Mounting options in any axis
- > Gas dielectric is superior for make load applications \*

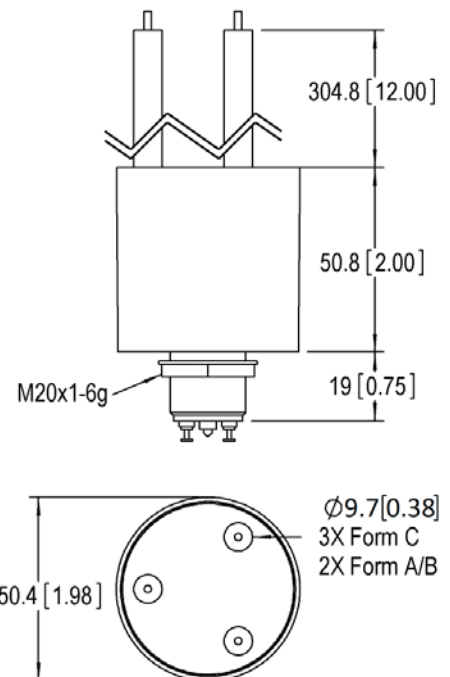
### PRODUCT SPECIFICATIONS

| Contact & Relay Ratings  | Units   | G71A                 |
|--|---------|----------------------|
| Contact Form   |         | A                    |
| Contact Arrangement  |         | SPST-NO              |
| Contact Material (moveable/stationary)                           |         | molybdenum /tungsten |
| Dielectric   |         | Inert Gas            |
| Voltage, Test Max., Contacts & to Base (15 µA Leakage Max.) dc   | kV dc   | 75                   |
| Voltage, Operating Max., Contacts & to Base (15 µA Leakage Max.) |         |                      |
| dc   | kV dc   | 70                   |
| 60 Hz RMS  | kV Peak | 30                   |
| Current, Load Switching  |         | Contact factory*     |
| Current, Continuous Carry Max dc or 60 Hz                        | Amps    | 10                   |
| Coil Hi-Pot (V RMS, 60 Hz)                                       | V       | 500                  |
| Resistance, Contact Max @ 1A, 28 Vdc                             | ohms    | 2.0                  |
| Operate Time   | ms      | 20                   |
| Release Time   | ms      | 15                   |
| Life, Mechanical   | cycles  | 500,000              |
| Weight, Nominal  | g (oz)  | 336 (12)             |
| Vibration, Operating, Sine (55-500 Hz Peak)                      | G's     | 10                   |
| Shock, Operating, 1/2 Sine 11ms (Peak)                           | G's     | 20                   |
| Temperature Ambient Operating                                    | °C      | -50 to +85           |

\*Consult factory for load switching applications.

### COIL RATINGS

| Nominal, Volts dc           | 12     | 26.5   | 115    |
|-----------------------------|--------|--------|--------|
| Pick-up, Volts dc, Max.     | 9      | 22     | 90     |
| Drop-Out, Volts dc          | .5 - 5 | 1 - 10 | 5 - 50 |
| Coil Resistance (Ohms ±10%) | 18     | 75     | 1300   |



### PART NUMBER SYSTEM

| G71A                     | 7  | 4   | 1            |
|--------------------------|--|---|--------------|
| Coil Voltage             | 7 = 12 Vdc, Turret Terminal<br>8 = 26.5 Vdc, Turret Terminal<br>9 = 115 Vdc, Turret Terminal |   |              |
| High Voltage Connections |  | 4 = Flying Leads, 12"<br>7 = Flying Leads, 72"<br>8 = Flying Leads, 36" |              |
| Mounting                 |  |   | 1 = Threaded |

Ratings listed are for 25°C, sea level conditions