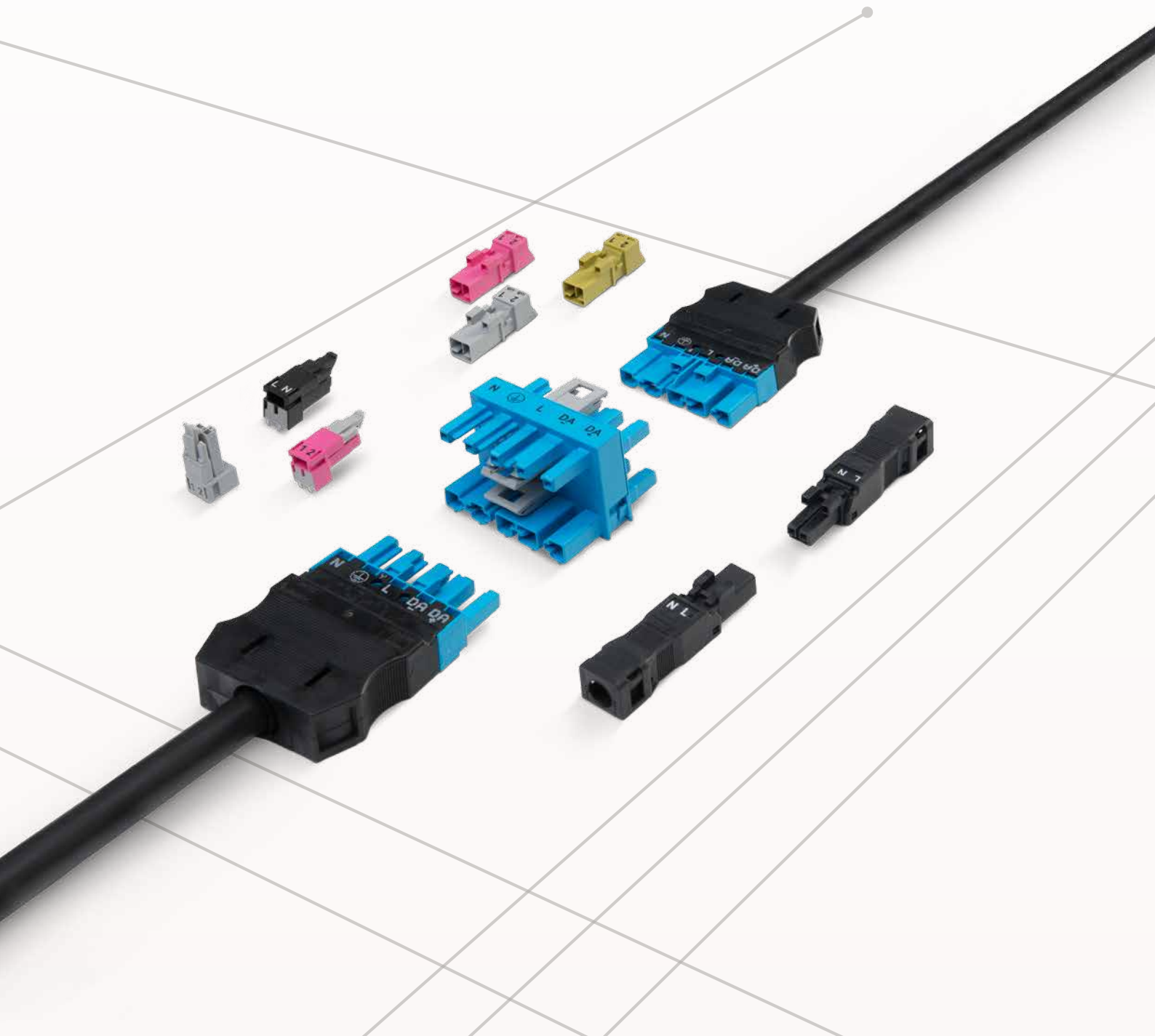


# WINSTA® – The Pluggable Connection System

Full Line Catalog, Volume 5 – Edition 2017/2018

# 5



# WAGO Full Line Catalogs



## Volume 1, Rail-Mount Terminal Block Systems

- Rail-Mount Terminal Blocks
- Rail-Mount Terminal Blocks with Pluggable Connector (X-COM®-SYSTEM)
- Patchboard Systems
- Terminal Strips
- PUSH WIRE® Connectors for Junction Boxes
- Lighting Connectors
- Shield Connecting System



## Volume 2, PCB Terminal Blocks and Connectors

- PCB Terminal Blocks
- SMD PCB Terminal Blocks
- MULTI CONNECTION SYSTEM (MCS)
- Pluggable PCB Terminal Blocks
- Feedthrough Terminal Blocks
- Specialty Connectors
- Empty Housings



## Volume 3, Automation Technology

- Software
- Operating & Monitoring
- Controllers
- Modular I/O-SYSTEM, IP20/IP67
- Industrial Switches
- Radio Technology, TO-PASS® Telecontrol Technology
- IP67 Sensor/Actuator Boxes, IP67 Cables and Connectors



## Volume 4, Interface Electronic

- Relay and Optocoupler Modules
- JUMPFLEX® Signal Conditioners and Isolation Amplifiers
- Current and Energy Measurement Technology
- EPSITRON® Power Supply System
- Interface Modules and System Wiring
- Overvoltage Protection
- Empty Housings



## Volume 5, WINSTA® – The Pluggable Connection System

- Pluggable Connectors
- Snap-In Device Connectors
- Pluggable PCB Connectors
- Distribution Connectors
- Cable Assemblies
- Flat Cable Systems
- Distribution Boxes











## Volume 6, Marking

- Terminal Block Marking
- Cable and Conductor Marking
- Device Marking
- Printer
- Software
- Marker Carriers



## Volume 5, WINSTA® – The Pluggable Connection System

			Page
	<b>WINSTA® MINI</b> 890/891 Series, 2- to 5-Pole Pluggable connectors, snap-in device connectors, pluggable PCB connectors, distribution connectors, cable assemblies	1.5 mm <sup>2</sup> , 16 A	6
	<b>WINSTA® MINI special</b> 890/891 Series, 2- to 5-Pole Pluggable connectors, snap-in device connectors, pluggable PCB connectors, distribution connectors, cable assemblies	1.5 mm <sup>2</sup> , 16 A	60
	<b>WINSTA® MIDI</b> 770/771 Series, 2- to 7-Pole Linect® T-connectors, pluggable connectors, snap-in device connectors, pluggable PCB connectors, distribution connectors, cable assemblies	4 mm <sup>2</sup> , 25 A 	102
	<b>WINSTA® MIDI special</b> 770/771 Series, 2- to 5-Pole Pluggable connectors, snap-in device connectors, pluggable PCB connectors, distribution connectors, cable assemblies	4 mm <sup>2</sup> , 25 A	210
	<b>WINSTA® – Specialty Cable Assemblies</b> Cable assemblies for specialty applications		252
	<b>WINSTA® MAXI</b> 831 Series, 5-Pole Pluggable connectors	6 mm <sup>2</sup> , 35 A	260
	<b>WINSTA® RD</b> 774 Series, 3- and 4-Pole Cable assemblies	2.5 mm <sup>2</sup> , 20 A	266
	<b>WINSTA® KNX</b> 893/894 Series, 2-Pole Pluggable connectors, snap-in device connectors, distribution connectors, cable assemblies	0.8 mm Ø, 3 A	282
	<b>WINSTA® IDC</b> 772/893/895/896/897 Series Supply and tap-off modules, flat cables	16 mm <sup>2</sup> , 76 A	292
	<b>WINSTA® Boxes</b> 899 Series Distribution boxes		316
	<b>Accessories and Tools</b>		350
	<b>Technical Section</b>		370
	<b>Indexes and Addresses</b>		386

## Operating WAGO Connection Technologies

Please follow the applicable product-specific termination instructions.

### PUSH-IN CAGE CLAMP®



Push-in CAGE CLAMP® terminates the following copper conductors: solid



stranded



fine-stranded, also with tinned single strands



fine-stranded, tip-bonded



fine-stranded, with ferrule (gastight crimped)



fine-stranded, with pin terminal (gastight crimped)

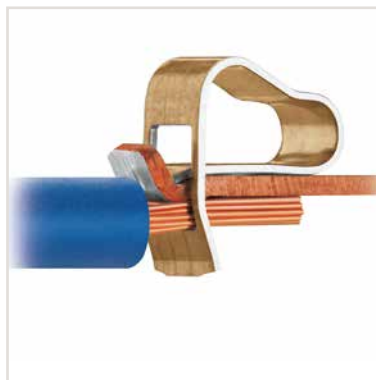
The universal connection with an additional advantage:  
Push-in termination

Terminate solid and stranded, as well as ferruled conductors, by simply pushing them in – no tools required.

Termination for all conductor types:

- Open clamping unit
- Insert the conductor
- Release clamp – done!

### CAGE CLAMP®



CAGE CLAMP® terminates the following copper conductors: solid



stranded



fine-stranded, also with tinned single strands



fine-stranded, tip-bonded



fine-stranded, with ferrule (gastight crimped)



fine-stranded, with pin terminal (gastight crimped)

The universal connection for solid, stranded and fine-stranded conductors

Termination:

- Open clamping unit
- Insert the conductor
- Release clamp – done!

## Operating WAGO Connection Technologies

Please follow the applicable product-specific termination instructions.

### POWER CAGE CLAMP®



POWER CAGE CLAMP terminates the following copper conductors:  
solid



stranded



fine-stranded,  
also with tinned  
single strands



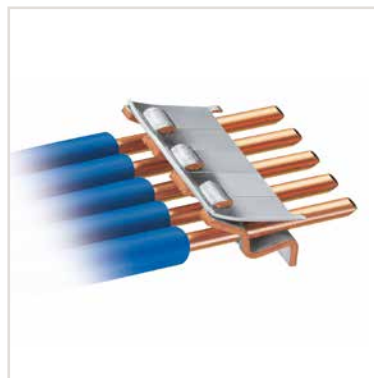
fine-stranded,  
with ferrule  
(gastight crimped)

The universal connection for conductors larger than 35 mm<sup>2</sup> (2 AWG)

Termination:

- Open clamp by turning a T-wrench counter-clockwise
- Press the integrated latch to open clamping unit for hands-free wiring
- Insert the conductor
- A small counter-clockwise rotation closes the clamp, securing conductor

### PUSH WIRE®



PUSH WIRE® terminates the following copper conductors:  
solid

PUSH WIRE® connection for solid and stranded conductors (depending on the model used)

Termination:

Tool-free, twist-free terminations for solid and rigid stranded conductors – simply push into the unit

## WINSTA® – A Complete Series Perfects the System

### The WINSTA® Pluggable Connection System

is the electrical interface that links power supply and distribution to electrical loads (e.g., lights) and encompasses data processing (bus lines in building automation).

#### WINSTA® MAXI



#### WINSTA® MINI/ WINSTA® MINI special

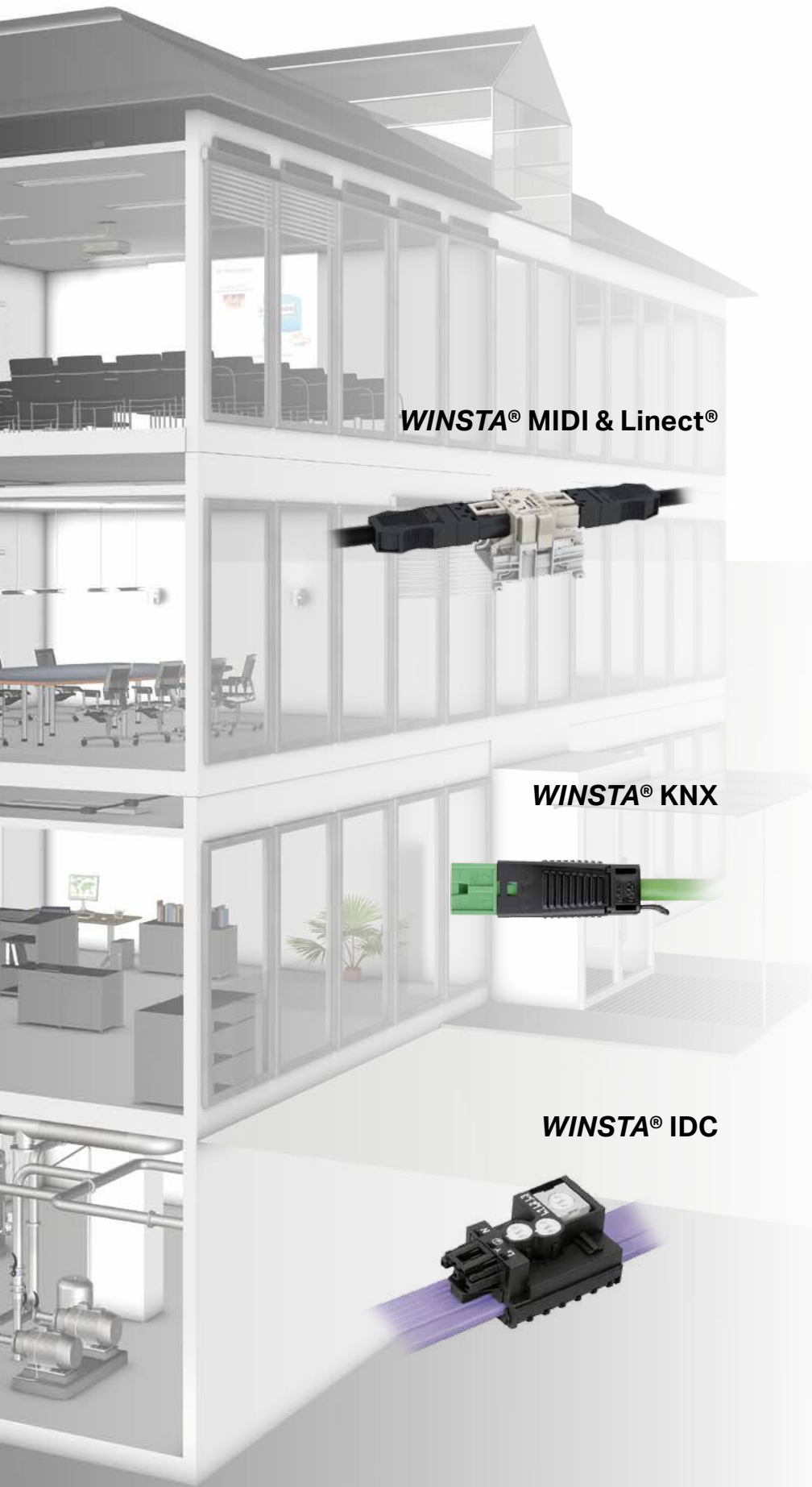


#### WINSTA® MIDI/ WINSTA® MIDI special



#### WINSTA® RD





### WINSTA® MIDI & Linect®

By interconnecting all electrical components, *WINSTA*® endows modern buildings with high levels of flexibility and durability that readily satisfy stringent norms and standards.

The *WINSTA*® system offers connections for virtually any building requirement from power supply to bus lines. Each unique *WINSTA*® model has been specifically developed to satisfy pole requirements, installation restrictions and current-carrying capacities.

Each model line contains both individual components (e.g., plugs, sockets, h-distribution connectors, T-distribution connectors, distribution boxes) and cable assemblies in standardized construction industry lengths.

The 2- to 7-pole *WINSTA*® components are packaged upon order and provided on-site to customers.

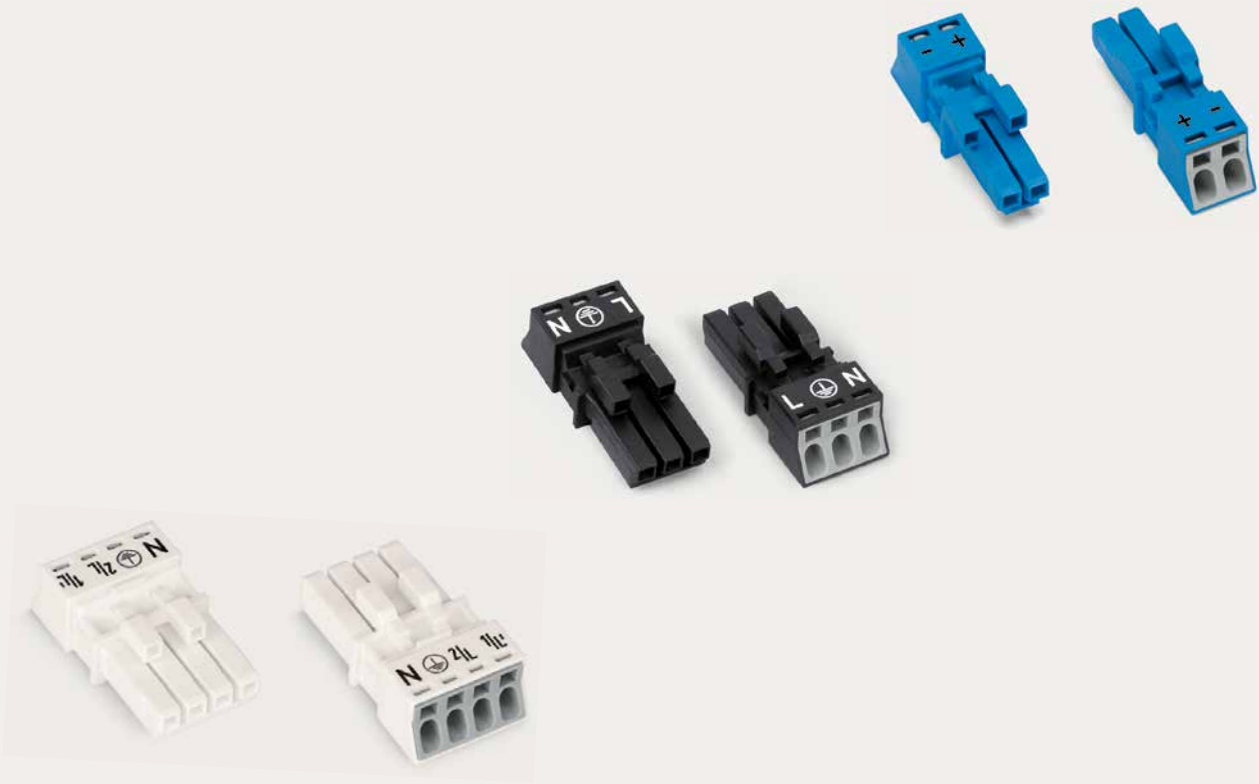
### WINSTA® KNX

#### Comprehensive WAGO project support:

WAGO offers consulting and project planning services to help devise the best possible solution for your project. Our experienced team of professionals will gladly help you implement your project with our products.

Contact your regional WAGO representative or office.

### WINSTA® IDC



**WINSTA<sup>®</sup> MINI**









# WINSTA® MINI

## 1.5 mm<sup>2</sup> / 16 A

### 890 / 891 Series

- Note**
- Installation connectors are designed for connection and disconnection while not under load.
  - There is no hazard-inducing interchangeability with systems based on IEC 60309, IEC 60320, IEC 60906 and with national connector and socket systems.
  - Compliance with the standards (IEC 61535) does not guarantee hazard-preventing, non-interchangeability with installation connector systems from various manufacturers.
  - Installation connector systems are not a substitute for residential connector/socket systems.

	Page	
	<b>Pluggable Connectors, 890 Series</b>	
	2-pole	12
	3-pole	26
	4-pole	38
	5-pole	48
	<b>Strain Relief Housings, 890 Series</b>	
	2-pole	14
	3-pole	28
	4-pole	40
	5-pole	50
	<b>Snap-In Device Connectors, 890 Series</b>	
	2-pole	15
	3-pole	29
	4-pole	41
	5-pole	51
	<b>Pluggable PCB Connectors, 890 Series</b>	
	2-pole	16
	3-pole	30
	4-pole	42
	5-pole	52
	<b>Distribution Connectors, 890 Series</b>	
	2-pole	18
	3-pole	32
	4-pole	44
	5-pole	54
	<b>Cable Assemblies, 891 Series</b>	
	2-pole	20
	3-pole	34
	4-pole	46
	5-pole	56

# WINSTA® MINI

## Technical Data, 2- to 5-Pole

### 890 / 891 Series



#### Connection Data

Connection technology	Push-in CAGE CLAMP®
Solid conductor	0.25 ... 1.5 mm <sup>2</sup> / 22 ... 16 AWG
Solid conductor, push-in termination	0.75 ... 1.5 mm <sup>2</sup> / 20 ... 16 AWG
Stranded conductor	0.25 ... 1 mm <sup>2</sup> / 22 ... 18 AWG
Fine-stranded conductor	0.25 ... 1.5 mm <sup>2</sup> / 22 ... 16 AWG
Fine-stranded conductor with uninsulated ferrule	0.25 ... 0.75 mm <sup>2</sup> / 22 ... 20 AWG
Fine-stranded conductor with insulated ferrule	0.25 ... 0.75 mm <sup>2</sup> / 22 ... 20 AWG
Strip length	9 mm / 0.35 inch (see also packaging or instructions)

#### Electrical Data


Ratings per*	IEC/EN 60664-1
Rated voltage (III / 3)	
2-pole	250 V
3-pole	250 V
4-pole	400 V (250 V for PCB terminal blocks)
5-pole	400 V (250 V for PCB terminal blocks)
Rated surge voltage (III / 3)	
2-pole	4 kV
3-pole	4 kV
4-pole	6 kV (4 kV for PCB terminal blocks)
5-pole	6 kV (4 kV for PCB terminal blocks)
Rated current	
2-pole	16 A
3-pole	16 A
4-pole	16 A
5-pole	13 A for standard applications 16 A for DALI applications
Approvals per	UL 1977 (factory wiring only)
Rated voltage (UL)	600 V
Rated current (UL)	
2-pole / 3-pole	14 A
4-pole / 5-pole	12 A


Application note for the U.S. market (USR):  
Some versions may also be used for current interruption in accordance with the UL certificate in select applications with currents below 5 A and voltages up to 600 V.  
For further information, please contact your local sales office.

Clearances and creepage distances	≥ 5.5 mm with strain relief ≥ 6.5 mm to exposed surfaces (Protection Category II)
Contact resistance	approx. 1 mΩ contact resistance approx. 0.25 mΩ contact transition socket / plug
Number of potentials	
2-pole	2
3-pole	3
4-pole	4
5-pole	5
Number of connection points	
2-pole	2
3-pole	3
4-pole	4
5-pole	5

\*(III / 3) Δ Overvoltage category III /  
Pollution degree 3

 890/891 Series Accessories,  
see page 352

 Approvals,  
see [www.wago.com](http://www.wago.com)

 Codings,  
see page 372

#### Mechanical Data

Mating cycles	200, without resistive load 100, with resistive load $I_N = 16$ A (1.5 mm <sup>2</sup> )
Mating forces	20 ... 70 N (depending on pole number)
Unmating forces	20 ... 70 N (depending on pole number) when unlocked
Retention forces	> 80 N (locked)

**Mechanical Data (Continued)**

Cable diameter	
2-pole	0.5 ... 0.9 mm
3-pole	4.5 ... 10 mm
4-pole	6.5 ... 10.5 mm Ø
5-pole	6.5 ... 10.5 mm Ø
Protection type	IP2xC (with strain relief housing) Note: These compact connectors are not designed for use in open, easily accessible areas.
Processing temperature	-5 ... +40 °C
Continuous operating temperature	-35 ... ≤ +85 °C PVC cable ≤ +70 °C (incl. halogen-free) Insulating parts ≤ +105 °C
Ground contact	First make/last break

**Mismatching Protection**

All WINSTA® components are 100 % protected against mismatching in terms of:

- Plugging a different number of poles
- Plugging when rotated by 180°
- Plugging when laterally staggered
- Plugging one pole

**Locking Levers**

All connectors for mounted installations (snap-in versions for lighting fixtures or devices, all types of PCB and distribution connectors) are factory-equipped with locking levers to ensure plugs and sockets are securely locked. Additional locking levers are only required for "flying leads" (plug/socket).

**Material Data**

Insulating parts	Polyamide (PA 66), halogen-free
Contacts	Copper or copper alloy, surface-treated
Clamping spring	Stainless steel (Cr-Ni)
Flammability class (per UL 94)	V0

**Standards/Approvals**

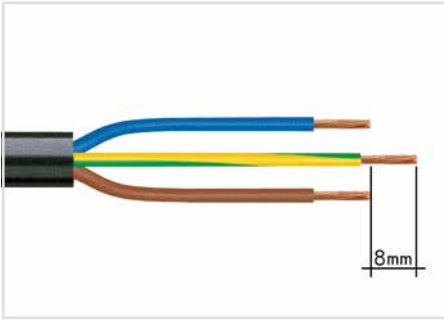
- UL (Depending on end-product standard, it may be necessary to use UL-approved cables with an appropriate AWG. These cables are available upon request.)
- CCA certificate
- IEC 61535
- LR
- GL
- DNV

# WINSTA® MINI

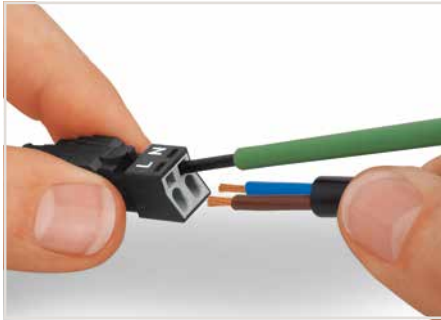
## Installation

### 890 / 891 Series

1



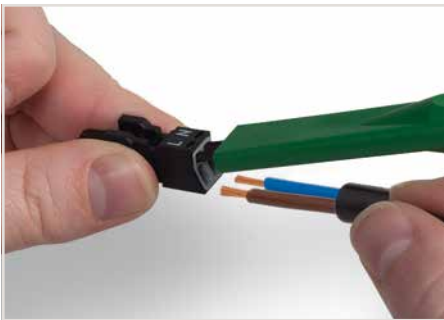
1. Strip length, outer insulation = x mm ❶
2. Strip length = 9 mm
3. Extended ground conductor = 8 mm



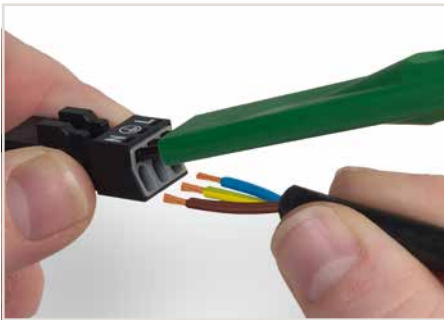
To terminate fine-stranded conductors, open the clamping unit via screwdriver (2.5 mm blade width) and insert a stripped conductor until it hits backstop. Terminate solid conductors by simply pushing them in.



Latch wired connector onto the base of the strain relief housing.



To terminate fine-stranded conductors, open clamping units via operating tool (890-382) and insert stripped conductors until they hit backstop. Terminate solid conductors by simply pushing them in.



To terminate fine-stranded conductors, open clamping units via operating tool (890-383) and insert stripped conductors until they hit backstop. Terminate solid conductors by simply pushing them in.



Connector with shield termination



Apply the shield to the rubber cable.  
Strip length, outer insulation = 30 mm  
Shield length = 8 mm



Push the shield connecting plate into the connector until fully inserted.

❶ Strip length, outer insulation: 2-pole = 30 mm, 3-pole = 37 mm, 4- and 5-pole = 45 mm



Push down strain relief clamp by hand.



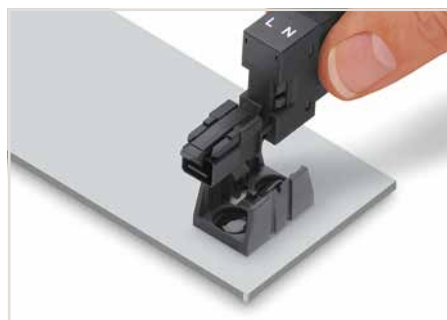
Push down strain relief clamp via 2.5 mm screwdriver alternately on both sides.



Latch the top of the strain relief housing.



Secure the mounting plate via pins.



The distribution connectors snap together when attached to the mounting plate.



First insert the wired connector into strain relief housing, then snap clamp and cover.



All connectors for mounted installations (snap-in versions, pluggable PCB connectors, distribution connectors) are factory-equipped with locking levers to ensure plugs and sockets are securely locked. Additional locking levers are only required for "flying leads" (plug/socket).



The printed marking of the connector is clearly visible in the openings of the strain relief housing.

# WINSTA® MINI

## Sockets and Plugs, 2-Pole

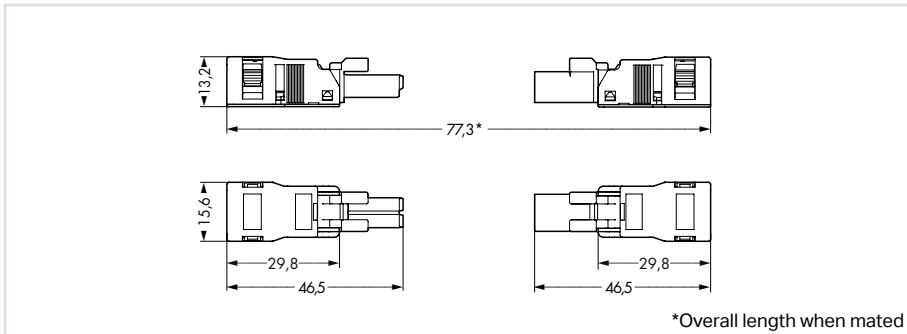
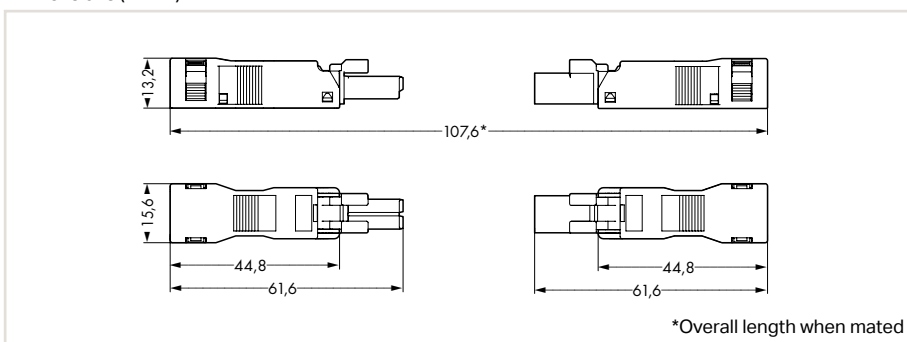
### 890 Series

1

Conductor range, solid and fine-stranded	0.25 ... 1.5 mm <sup>2</sup> / 22 ... 16 AWG
Conductor range, stranded	0.25 ... 1 mm <sup>2</sup> / 22 ... 18 AWG
Rated voltage	250 V
Rated current	16 A
Strip length	9 mm / 0.35 inch



Dimensions (in mm):



Socket, with strain relief housing, for 3.8 ... 8.2 mm cable diameter, 30 mm strip length		
Color	Item No.	Pack. Unit
● black	890-102	50
○ white	890-122	50

Plug, with strain relief housing, for 3.8 ... 8.2 mm cable diameter, 30 mm strip length		
Color	Item No.	Pack. Unit
● black	890-112	50
○ white	890-132	50

Socket, with short strain relief housing, for 3.8 ... 8.2 mm cable diameter, 17.5 mm strip length		
Color	Item No.	Pack. Unit
● black	890-202/342-000	50

Plug, with short strain relief housing, for 3.8 ... 8.2 mm cable diameter, 17.5 mm strip length		
Color	Item No.	Pack. Unit
● black	890-212/342-000	50

**Note:**  
All connectors for fixed installations (snap-in versions for lighting fixtures or devices, all types of PCB and distribution connectors) are factory-equipped with locking levers to ensure plugs and sockets are securely locked. Additional locking levers are only required for "flying leads" (plug/socket).

890 Series Accessories, see page 352

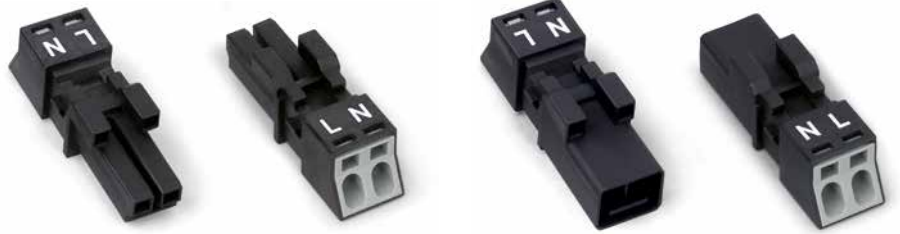
Approvals, see www.wago.com

Coding overview, see page 372

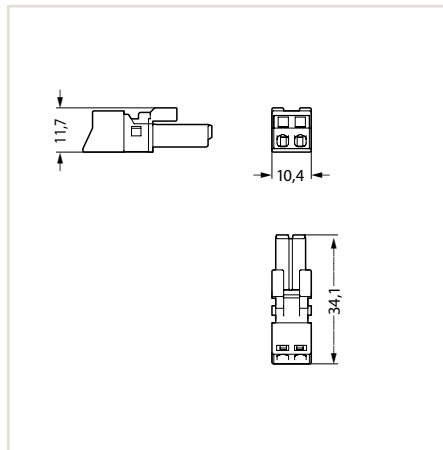
Coding	Marking	Color
A	L N	● black
A	L N	○ white



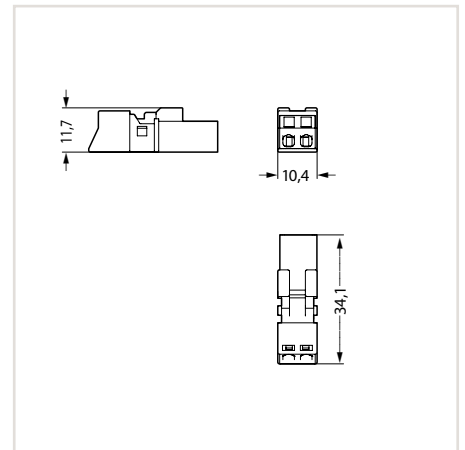
Conductor range, solid and fine-stranded	0.25 ... 1.5 mm <sup>2</sup> / 22 ... 16 AWG
Conductor range, stranded	0.25 ... 1 mm <sup>2</sup> / 22 ... 18 AWG
Rated voltage	250 V
Rated current	16 A
Strip length	9 mm / 0.35 inch



Dimensions (in mm):



Dimensions (in mm):


**Socket,  
without strain relief housing**

Color	Item No.	Pack. Unit
● black	890-202	50
○ white	890-222	50
● blue	890-1102	50

**Plug,  
without strain relief housing**

Color	Item No.	Pack. Unit
● black	890-212	50
○ white	890-232	50
● blue	890-1112	50

Coding	Marking	Color
A	L N	● black
A	L N	○ white
I	+ -	● blue

## WINSTA® MINI

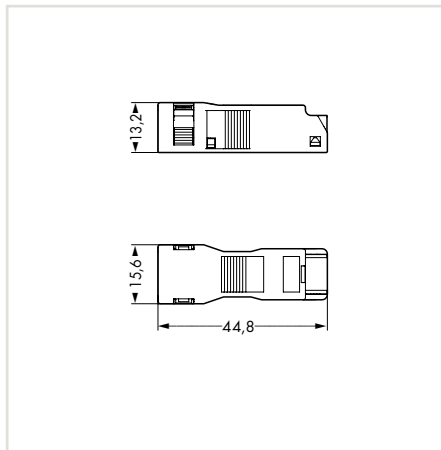
### Strain Relief Housings, 2-Pole

### 890 Series

1



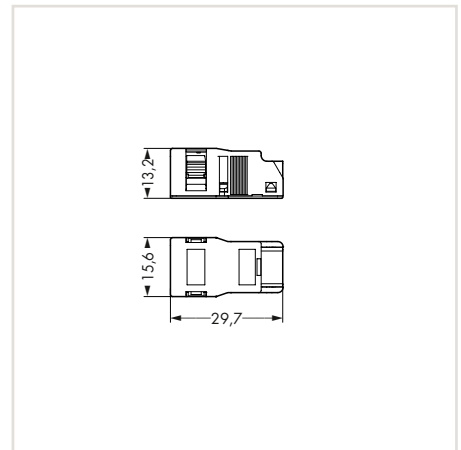
Dimensions (in mm):



Strain relief housing,  
for 3.8 ... 8.2 mm cable diameter,  
30 mm strip length

Color	Item No.	Pack. Unit
black	890-502	50
white	890-512	50

Dimensions (in mm):





Strain relief housing, short,  
for 3.8 ... 8.2 mm cable diameter,  
17.5 mm strip length


Color	Item No.	Pack. Unit
black	890-502/342-000	50
white	890-512/342-000	50

**Note:**

All connectors for fixed installations (snap-in versions for lighting fixtures or devices, all types of PCB and distribution connectors) are factory-equipped with locking levers to ensure plugs and sockets are securely locked. Additional locking levers are only required for "flying leads" (plug/socket).

 890 Series Accessories,  
see page 352

 Approvals,  
see [www.wago.com](http://www.wago.com)

 Coding overview,  
see page 372

## WINSTA® MINI

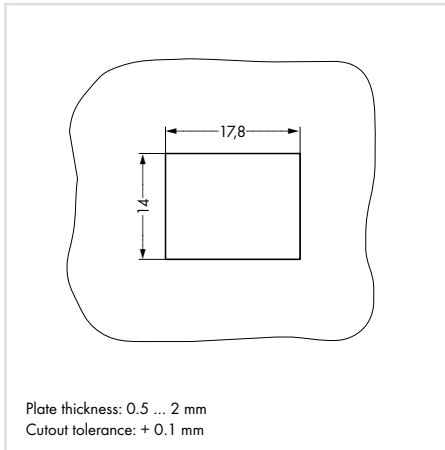
### Snap-In Sockets and Plugs, 2-Pole

#### 890 Series

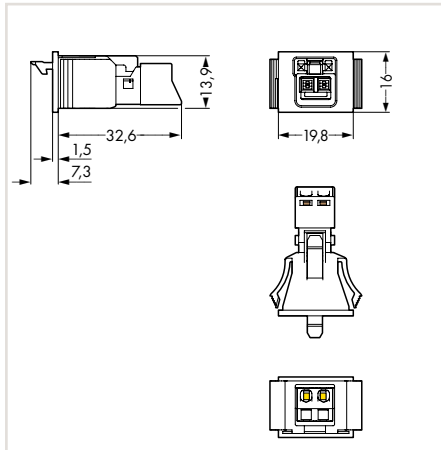
Conductor range, solid and fine-stranded	0.25 ... 1.5 mm <sup>2</sup> / 22 ... 16 AWG
Conductor range, stranded	0.25 ... 1 mm <sup>2</sup> / 22 ... 18 AWG
Rated voltage	250 V
Rated current	16 A
Strip length	9 mm / 0.35 inch



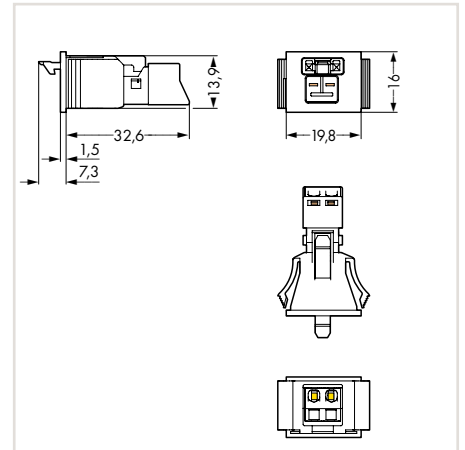
Dimensions (in mm):



Dimensions (in mm):



Dimensions (in mm):



Socket		
Color	Item No.	Pack. Unit
● black	890-702	50
○ white	890-722	50
● blue	890-2102	50

Plugs		
Color	Item No.	Pack. Unit
● black	890-712	50
○ white	890-732	50
● blue	890-2112	50

Coding	Marking	Color
A	L N	● black
A	L N	○ white
I	+ -	● blue

# WINSTA® MINI

## Pluggable PCB Connectors, 2-Pole

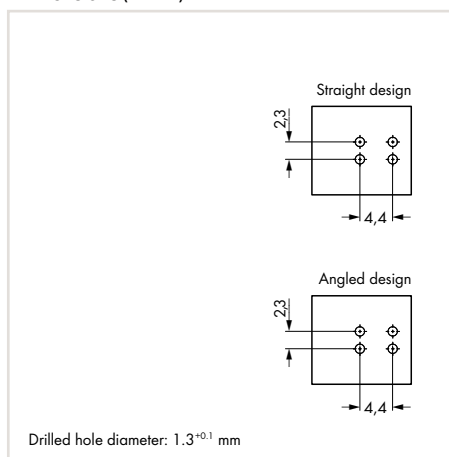
### 890 Series

1

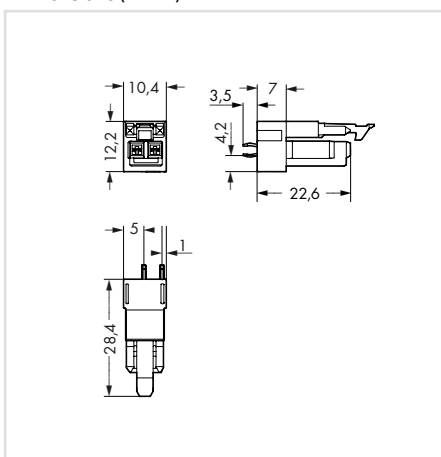
Rated voltage	250 V
Rated current	16 A



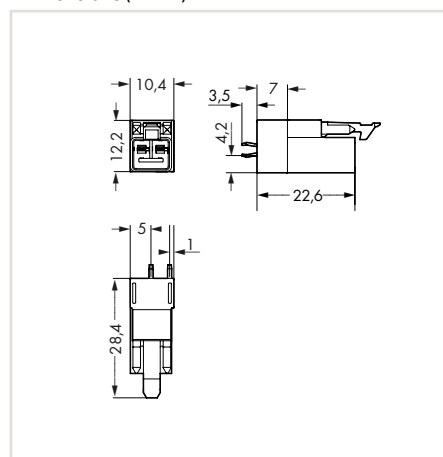
Dimensions (in mm):



Dimensions (in mm):



Dimensions (in mm):



Socket, straight		
Color	Item No.	Pack. Unit
● black	890-802	100
○ white	890-822	100
● blue	890-3102	100

Plug, straight		
Color	Item No.	Pack. Unit
● black	890-812	100
○ white	890-832	100
● blue	890-3112	100

**Note:**

All connectors for fixed installations (snap-in versions for lighting fixtures or devices, all types of PCB and distribution connectors) are factory-equipped with locking levers to ensure plugs and sockets are securely locked. Additional locking levers are only required for "flying leads" (plug/socket).

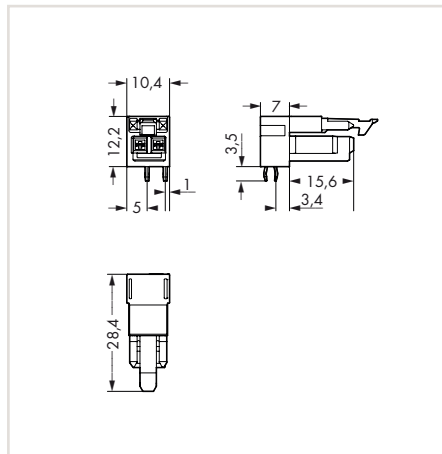
- 890 Series Accessories, see page 352
- Approvals, see [www.wago.com](http://www.wago.com)
- Coding overview, see page 372

Coding	Marking	Color
A	L N	● black
A	L N	○ white
I	+ -	● blue

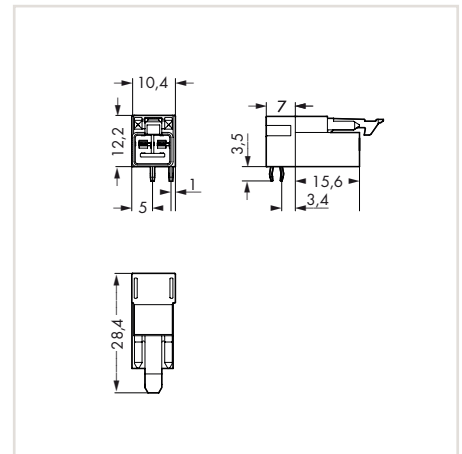
Rated voltage	250 V
Rated current	16 A



Dimensions (in mm):



Dimensions (in mm):



Socket, angled		
Color	Item No.	Pack. Unit
● black	890-802/011-000	100
○ white	890-822/011-000	100
● blue	890-3102/011-000	100

Plug, angled		
Color	Item No.	Pack. Unit
● black	890-812/011-000	100
○ white	890-832/011-000	100
● blue	890-3112/011-000	100

Coding	Marking	Color
A	L N	● black
A	L N	○ white
I	+ -	● blue

# WINSTA® MINI

## Distribution Connectors, 2-Pole

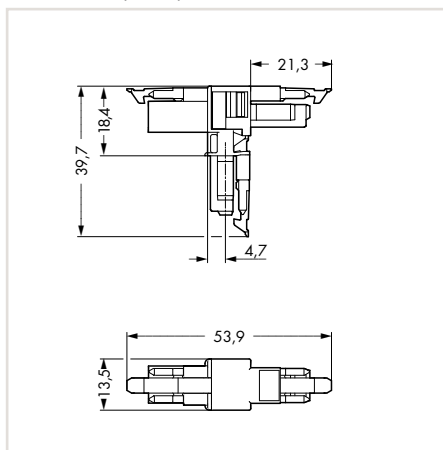
### 890 Series

1

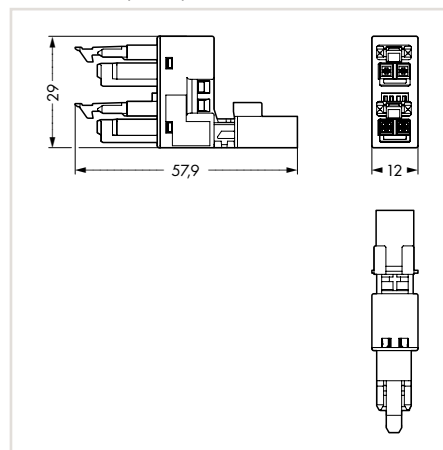
Rated voltage	250 V
Rated current	16 A



Dimensions (in mm):



Dimensions (in mm):



T-distribution connector,  
1 x plug/2 x socket

Color	Item No.	Pack. Unit
● black	890-1606	25
○ white	890-1656	25
● blue	890-1617	25

h-distribution connector, unidirectional,  
plug/socket – socket

Color	Item No.	Pack. Unit
● black	890-1634	50
○ white	890-1684	50

T-distribution connector,  
1 x plug/2 x socket,  
for "flying leads,"  
with 3rd locking lever

Color	Item No.	Pack. Unit
● black	890-1615	25
○ white	890-1665	25
● blue	890-1620	25

h-distribution connector, unidirectional,  
plug/socket – socket,  
for "flying leads,"  
with 3rd locking lever

Color	Item No.	Pack. Unit
● black	890-1636	50
○ white	890-1686	50

890 Series Accessories,  
see page 352

Approvals,  
see www.wago.com

Coding overview,  
see page 372

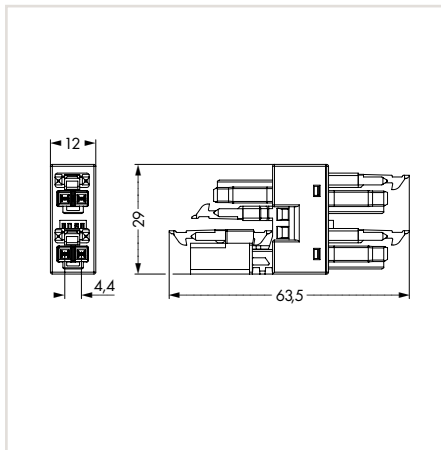
Coding	Marking	Color
A	L N	● black
A	L N	○ white
I	+ -	● blue



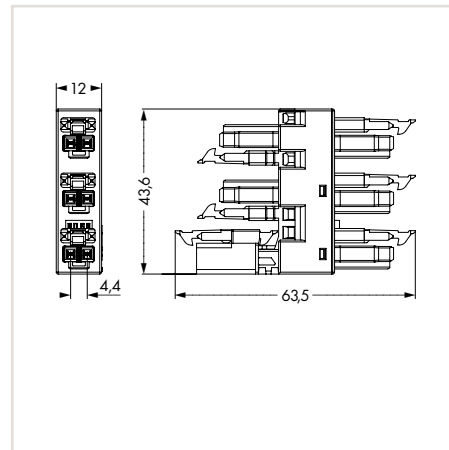
Rated voltage	250 V
Rated current	16 A



Dimensions (in mm):



Dimensions (in mm):



Distribution connector, 3-way, 1 x plug/3 x socket		
Color	Item No.	Pack. Unit
● blue	890-1904	50

Distribution connector, 5-way, 1 x plug/5 x socket		
Color	Item No.	Pack. Unit
● blue	890-1907	50

Coding	Marking	Color
I	+ -	● blue

# WINSTA® MINI

## Cable Assemblies 2 x 1 mm<sup>2</sup>, PVC

### 891 Series

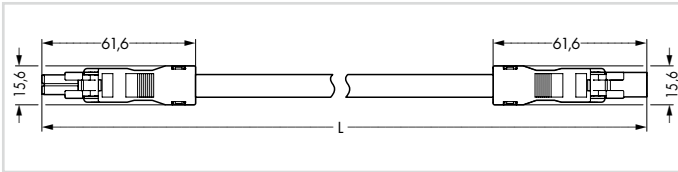
PVC	H05VV-F 2x1
-----	-------------

Rated voltage	250 V
Rated current	10 A
Strip length	9 mm / 0.35 inch
Conductor preparation	tip-bonded

1



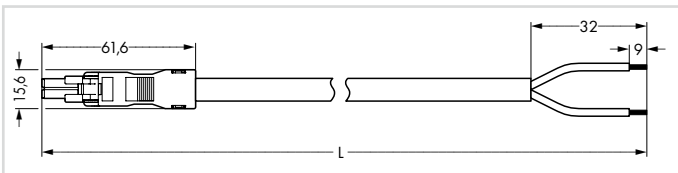
Dimensions (in mm):



Interconnecting cable, socket – plug, PVC, A-coding			
Length	● black	○ white	Pack. Unit
1 m	891-8992/005-101	891-8992/005-102	1
2 m	891-8992/005-201	891-8992/005-202	1
3 m	891-8992/005-301	891-8992/005-302	1
4 m	891-8992/005-401	891-8992/005-402	1
5 m	891-8992/005-501	891-8992/005-502	1
6 m	891-8992/005-601	891-8992/005-602	1
7 m	891-8992/005-701	891-8992/005-702	1
8 m	891-8992/005-801	891-8992/005-802	1



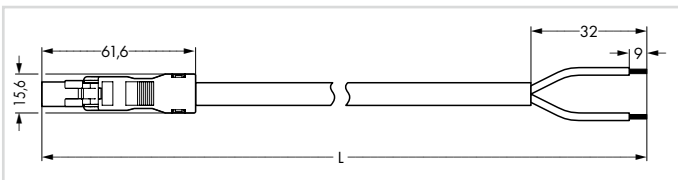
Dimensions (in mm):



Connecting cable, socket – free end, PVC, A-coding			
Length	● black	○ white	Pack. Unit
1 m	891-8992/105-101	891-8992/105-102	1
2 m	891-8992/105-201	891-8992/105-202	1
3 m	891-8992/105-301	891-8992/105-302	1
4 m	891-8992/105-401	891-8992/105-402	1
5 m	891-8992/105-501	891-8992/105-502	1
6 m	891-8992/105-601	891-8992/105-602	1
7 m	891-8992/105-701	891-8992/105-702	1
8 m	891-8992/105-801	891-8992/105-802	1



Dimensions (in mm):



Connecting cable, plug – free end, PVC, A-coding			
Length	● black	○ white	Pack. Unit
1 m	891-8992/205-101	891-8992/205-102	1
2 m	891-8992/205-201	891-8992/205-202	1
3 m	891-8992/205-301	891-8992/205-302	1
4 m	891-8992/205-401	891-8992/205-402	1
5 m	891-8992/205-501	891-8992/205-502	1
6 m	891-8992/205-601	891-8992/205-602	1
7 m	891-8992/205-701	891-8992/205-702	1
8 m	891-8992/205-801	891-8992/205-802	1

Additional cable lengths available upon request.

891 Series Accessories, see page 352

Approvals, see www.wago.com

Coding overview, see page 372

Coding	Marking	Color
A	L N	● black
A	L N	○ white

# WINSTA® MINI

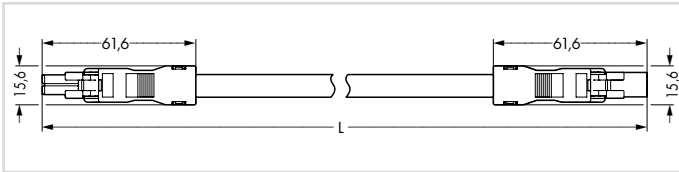
## Cable Assemblies 2 x 1 mm<sup>2</sup>, Halogen-Free 891 Series

halogen-free	H05Z1Z1-F 2x1
--------------	---------------

Rated voltage	250 V
Rated current	10 A
Strip length	9 mm / 0.35 inch
Conductor preparation	tip-bonded



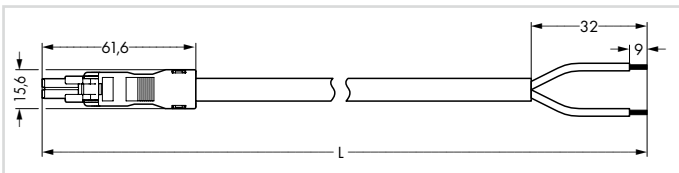
Dimensions (in mm):



Interconnecting cable, socket – plug, halogen-free, A-coding			
Length	● black	○ white	Pack. Unit
1 m	891-8992/015-101	891-8992/015-102	1
2 m	891-8992/015-201	891-8992/015-202	1
3 m	891-8992/015-301	891-8992/015-302	1
4 m	891-8992/015-401	891-8992/015-402	1
5 m	891-8992/015-501	891-8992/015-502	1
6 m	891-8992/015-601	891-8992/015-602	1
7 m	891-8992/015-701	891-8992/015-702	1
8 m	891-8992/015-801	891-8992/015-802	1



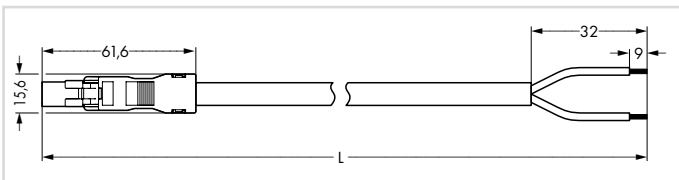
Dimensions (in mm):



Connecting cable, socket – free end, halogen-free, A-coding			
Length	● black	○ white	Pack. Unit
1 m	891-8992/115-101	891-8992/115-102	1
2 m	891-8992/115-201	891-8992/115-202	1
3 m	891-8992/115-301	891-8992/115-302	1
4 m	891-8992/115-401	891-8992/115-402	1
5 m	891-8992/115-501	891-8992/115-502	1
6 m	891-8992/115-601	891-8992/115-602	1
7 m	891-8992/115-701	891-8992/115-702	1
8 m	891-8992/115-801	891-8992/115-802	1



Dimensions (in mm):



Connecting cable, plug – free end, halogen-free, A-coding			
Length	● black	○ white	Pack. Unit
1 m	891-8992/215-101	891-8992/215-102	1
2 m	891-8992/215-201	891-8992/215-202	1
3 m	891-8992/215-301	891-8992/215-302	1
4 m	891-8992/215-401	891-8992/215-402	1
5 m	891-8992/215-501	891-8992/215-502	1
6 m	891-8992/215-601	891-8992/215-602	1
7 m	891-8992/215-701	891-8992/215-702	1
8 m	891-8992/215-801	891-8992/215-802	1

Coding	Marking	Color
A	L N	● black
A	L N	○ white

# WINSTA® MINI

## Cable Assemblies 2 x 1.5 mm<sup>2</sup>, PVC

### 891 Series

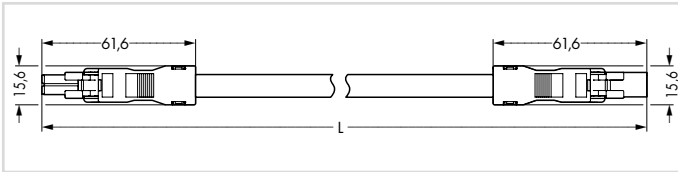
PVC	H05VV-F 2x1.5
-----	---------------

Rated voltage	250 V
Rated current	16 A
Strip length	9 mm / 0.35 inch
Conductor preparation	tip-bonded

1



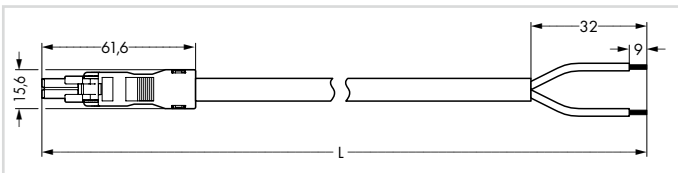
Dimensions (in mm):



Interconnecting cable, socket – plug, PVC, A-coding			
Length	● black	○ white	Pack. Unit
1 m	891-8992/006-101	891-8992/006-102	1
2 m	891-8992/006-201	891-8992/006-202	1
3 m	891-8992/006-301	891-8992/006-302	1
4 m	891-8992/006-401	891-8992/006-402	1
5 m	891-8992/006-501	891-8992/006-502	1
6 m	891-8992/006-601	891-8992/006-602	1
7 m	891-8992/006-701	891-8992/006-702	1
8 m	891-8992/006-801	891-8992/006-802	1



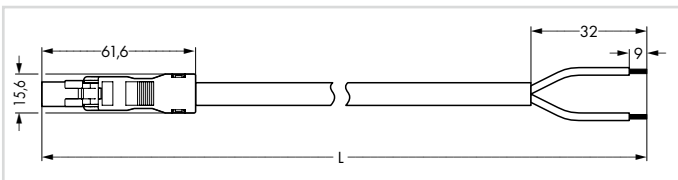
Dimensions (in mm):



Connecting cable, socket – free end, PVC, A-coding			
Length	● black	○ white	Pack. Unit
1 m	891-8992/106-101	891-8992/106-102	1
2 m	891-8992/106-201	891-8992/106-202	1
3 m	891-8992/106-301	891-8992/106-302	1
4 m	891-8992/106-401	891-8992/106-402	1
5 m	891-8992/106-501	891-8992/106-502	1
6 m	891-8992/106-601	891-8992/106-602	1
7 m	891-8992/106-701	891-8992/106-702	1
8 m	891-8992/106-801	891-8992/106-802	1



Dimensions (in mm):



Connecting cable, plug – free end, PVC, A-coding			
Length	● black	○ white	Pack. Unit
1 m	891-8992/206-101	891-8992/206-102	1
2 m	891-8992/206-201	891-8992/206-202	1
3 m	891-8992/206-301	891-8992/206-302	1
4 m	891-8992/206-401	891-8992/206-402	1
5 m	891-8992/206-501	891-8992/206-502	1
6 m	891-8992/206-601	891-8992/206-602	1
7 m	891-8992/206-701	891-8992/206-702	1
8 m	891-8992/206-801	891-8992/206-802	1

Additional cable lengths available upon request.

891 Series Accessories, see page 352

Approvals, see www.wago.com

Coding overview, see page 372

Coding	Marking	Color
A	L N	● black
A	L N	○ white

# WINSTA® MINI

## Cable Assemblies 2 x 1.5 mm<sup>2</sup>, Halogen-Free

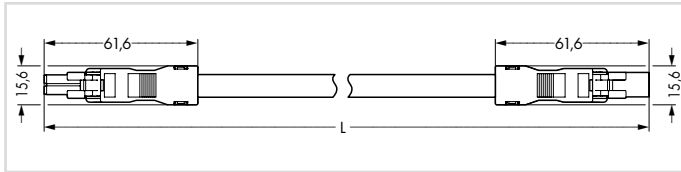
### 891 Series

halogen-free	H05Z1Z1-F 2x1.5
--------------	-----------------

Rated voltage	250 V
Rated current	16 A
Strip length	9 mm / 0.35 inch
Conductor preparation	tip-bonded



Dimensions (in mm):

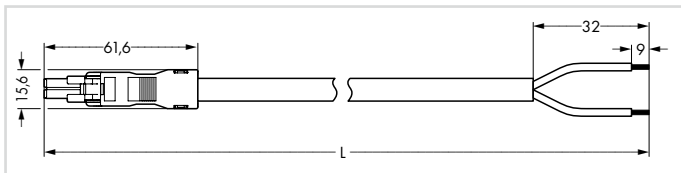


#### Interconnecting cable, socket – plug, halogen-free, A-coding

Length	● black	○ white	Pack. Unit
1 m	891-8992/016-101	891-8992/016-102	1
2 m	891-8992/016-201	891-8992/016-202	1
3 m	891-8992/016-301	891-8992/016-302	1
4 m	891-8992/016-401	891-8992/016-402	1
5 m	891-8992/016-501	891-8992/016-502	1
6 m	891-8992/016-601	891-8992/016-602	1
7 m	891-8992/016-701	891-8992/016-702	1
8 m	891-8992/016-801	891-8992/016-802	1



Dimensions (in mm):

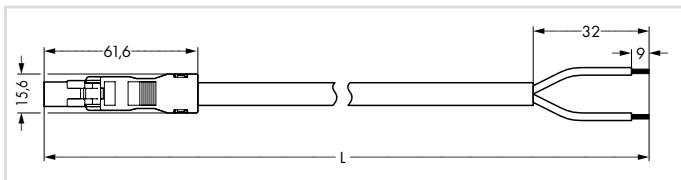


#### Connecting cable, socket – free end, halogen-free, A-coding

Length	● black	○ white	Pack. Unit
1 m	891-8992/116-101	891-8992/116-102	1
2 m	891-8992/116-201	891-8992/116-202	1
3 m	891-8992/116-301	891-8992/116-302	1
4 m	891-8992/116-401	891-8992/116-402	1
5 m	891-8992/116-501	891-8992/116-502	1
6 m	891-8992/116-601	891-8992/116-602	1
7 m	891-8992/116-701	891-8992/116-702	1
8 m	891-8992/116-801	891-8992/116-802	1



Dimensions (in mm):



#### Connecting cable, plug – free end, halogen-free, A-coding

Length	● black	○ white	Pack. Unit
1 m	891-8992/216-101	891-8992/216-102	1
2 m	891-8992/216-201	891-8992/216-202	1
3 m	891-8992/216-301	891-8992/216-302	1
4 m	891-8992/216-401	891-8992/216-402	1
5 m	891-8992/216-501	891-8992/216-502	1
6 m	891-8992/216-601	891-8992/216-602	1
7 m	891-8992/216-701	891-8992/216-702	1
8 m	891-8992/216-801	891-8992/216-802	1

Coding	Marking	Color
A	L N	● black
A	L N	○ white

# WINSTA® MINI

## Cable Assemblies 2 x 1.5 mm<sup>2</sup>, PVC

### 891 Series

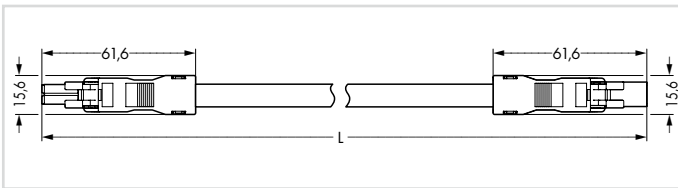
PVC	H05VV-F 2x1.5
-----	---------------

Rated voltage	250 V
Rated current	16 A
Strip length	9 mm / 0.35 inch
Conductor preparation	tip-bonded

1



Dimensions (in mm):

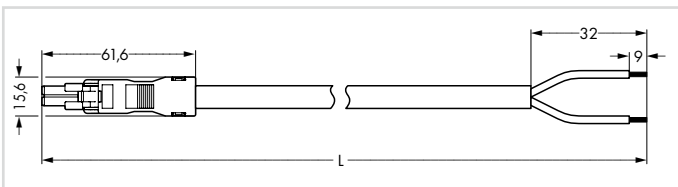


Interconnecting cable, socket – plug, for dimming functions (e.g., DALI), PVC, I-coding

Length	● black	○ white	Pack. Unit
1 m	891-8982/006-101	891-8982/006-102	1
2 m	891-8982/006-201	891-8982/006-202	1
3 m	891-8982/006-301	891-8982/006-302	1
4 m	891-8982/006-401	891-8982/006-402	1
5 m	891-8982/006-501	891-8982/006-502	1
6 m	891-8982/006-601	891-8982/006-602	1
7 m	891-8982/006-701	891-8982/006-702	1
8 m	891-8982/006-801	891-8982/006-802	1



Dimensions (in mm):

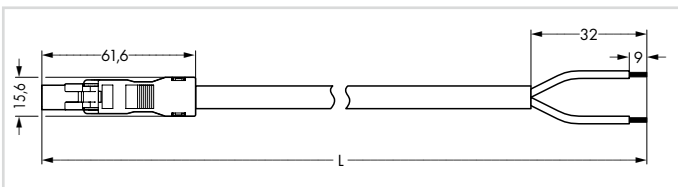


Connecting cable, socket – free end, for dimming functions (e.g., DALI), PVC, I-coding

Length	● black	○ white	Pack. Unit
1 m	891-8982/106-101	891-8982/106-102	1
2 m	891-8982/106-201	891-8982/106-202	1
3 m	891-8982/106-301	891-8982/106-302	1
4 m	891-8982/106-401	891-8982/106-402	1
5 m	891-8982/106-501	891-8982/106-502	1
6 m	891-8982/106-601	891-8982/106-602	1
7 m	891-8982/106-701	891-8982/106-702	1
8 m	891-8982/106-801	891-8982/106-802	1



Dimensions (in mm):



Connecting cable, plug – free end, for dimming functions (e.g., DALI), PVC, I-coding

Length	● black	○ white	Pack. Unit
1 m	891-8982/206-101	891-8982/206-102	1
2 m	891-8982/206-201	891-8982/206-202	1
3 m	891-8982/206-301	891-8982/206-302	1
4 m	891-8982/206-401	891-8982/206-402	1
5 m	891-8982/206-501	891-8982/206-502	1
6 m	891-8982/206-601	891-8982/206-602	1
7 m	891-8982/206-701	891-8982/206-702	1
8 m	891-8982/206-801	891-8982/206-802	1

Additional cable lengths available upon request.

891 Series Accessories, see page 352

Approvals, see www.wago.com

Coding overview, see page 372

Coding	Marking	Color
I	+ -	● blue



# WINSTA® MINI

## Cable Assemblies 2 x 1.5 mm<sup>2</sup>, Halogen-Free

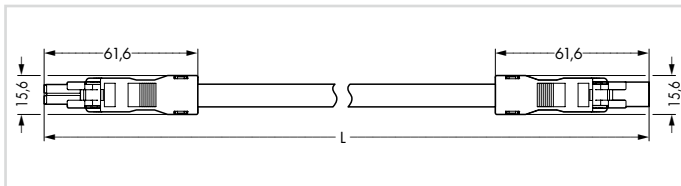
### 891 Series

halogen-free	H05Z1Z1-F 2x1.5
--------------	-----------------

Rated voltage	250 V
Rated current	16 A
Strip length	9 mm / 0.35 inch
Conductor preparation	tip-bonded



Dimensions (in mm):

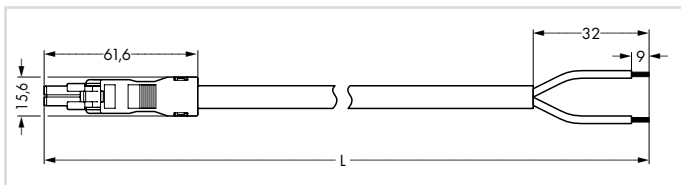


Interconnecting cable, socket – plug, for dimming functions (e.g., DALI), halogen-free, I-coding

Length	● black	○ white	Pack. Unit
1 m	891-8982/016-101	891-8982/016-102	1
2 m	891-8982/016-201	891-8982/016-202	1
3 m	891-8982/016-301	891-8982/016-302	1
4 m	891-8982/016-401	891-8982/016-402	1
5 m	891-8982/016-501	891-8982/016-502	1
6 m	891-8982/016-601	891-8982/016-602	1
7 m	891-8982/016-701	891-8982/016-702	1
8 m	891-8982/016-801	891-8982/016-802	1



Dimensions (in mm):

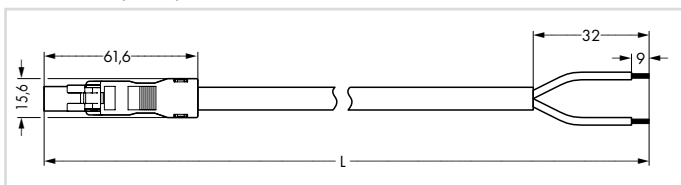


Connecting cable, socket – free end, for dimming functions (e.g., DALI), halogen-free, I-coding

Length	● black	○ white	Pack. Unit
1 m	891-8982/116-101	891-8982/116-102	1
2 m	891-8982/116-201	891-8982/116-202	1
3 m	891-8982/116-301	891-8982/116-302	1
4 m	891-8982/116-401	891-8982/116-402	1
5 m	891-8982/116-501	891-8982/116-502	1
6 m	891-8982/116-601	891-8982/116-602	1
7 m	891-8982/116-701	891-8982/116-702	1
8 m	891-8982/116-801	891-8982/116-802	1



Dimensions (in mm):



Connecting cable, plug – free end, for dimming functions (e.g., DALI), halogen-free, I-coding

Length	● black	○ white	Pack. Unit
1 m	891-8982/216-101	891-8982/216-102	1
2 m	891-8982/216-201	891-8982/216-202	1
3 m	891-8982/216-301	891-8982/216-302	1
4 m	891-8982/216-401	891-8982/216-402	1
5 m	891-8982/216-501	891-8982/216-502	1
6 m	891-8982/216-601	891-8982/216-602	1
7 m	891-8982/216-701	891-8982/216-702	1
8 m	891-8982/216-801	891-8982/216-802	1

Coding	Marking	Color
I	+ -	● blue

# WINSTA® MINI

## Sockets and Plugs, 3-Pole

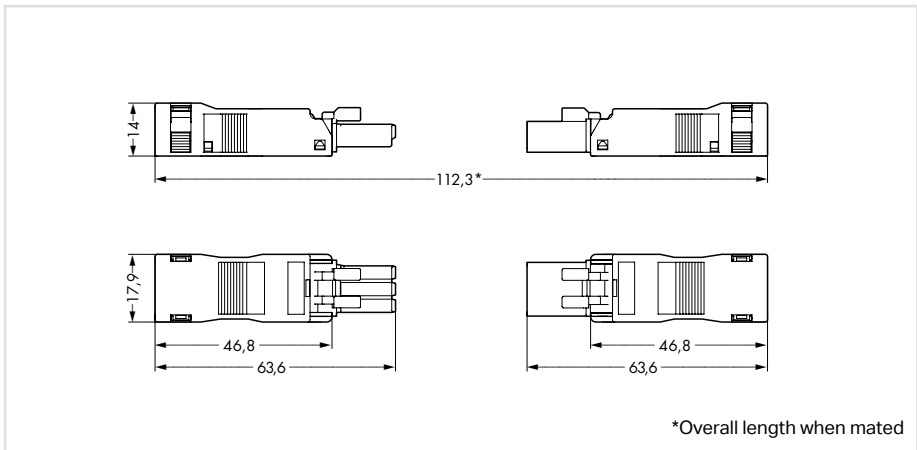
### 890 Series

1

Conductor range, solid and fine-stranded	0.25 ... 1.5 mm <sup>2</sup> / 22 ... 16 AWG
Conductor range, stranded	0.25 ... 1 mm <sup>2</sup> / 22 ... 18 AWG
Rated voltage	250 V
Rated current	16 A
Strip length	9 mm / 0.35 inch



Dimensions (in mm):



Socket, with strain relief housing, for 4.5 ... 10 mm cable diameter, 37 mm strip length

Color	Item No.	Pack. Unit
● black	890-103	50
○ white	890-123	50

Plug, with strain relief housing, for 4.5 ... 10 mm cable diameter, 37 mm strip length

Color	Item No.	Pack. Unit
● black	890-113	50
○ white	890-133	50

**Note:**

All connectors for fixed installations (snap-in versions for lighting fixtures or devices, all types of PCB and distribution connectors) are factory-equipped with locking levers to ensure plugs and sockets are securely locked. Additional locking levers are only required for "flying leads" (plug/socket).

890 Series Accessories, see page 352

Approvals, see www.wago.com

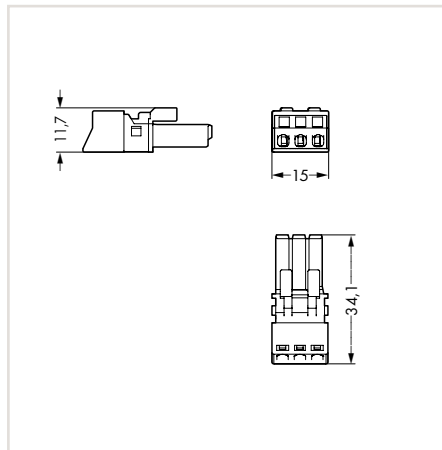
Coding overview, see page 372

Coding	Marking	Color
A	L ⊕ N	● black
A	L ⊕ N	○ white

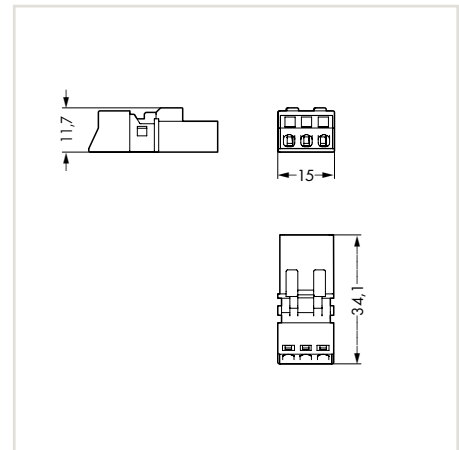
Conductor range, solid and fine-stranded	0.25 ... 1.5 mm <sup>2</sup> / 22 ... 16 AWG
Conductor range, stranded	0.25 ... 1 mm <sup>2</sup> / 22 ... 18 AWG
Rated voltage	250 V
Rated current	16 A
Strip length	9 mm / 0.35 inch



Dimensions (in mm):



Dimensions (in mm):



**Socket,  
without strain relief housing**

Color	Item No.	Pack. Unit
● black	890-203	50
○ white	890-223	50

**Plug,  
without strain relief housing**

Color	Item No.	Pack. Unit
● black	890-213	50
○ white	890-233	50

Coding	Marking	Color
A	L ⊕ N	● black
A	L ⊕ N	○ white

## WINSTA® MINI

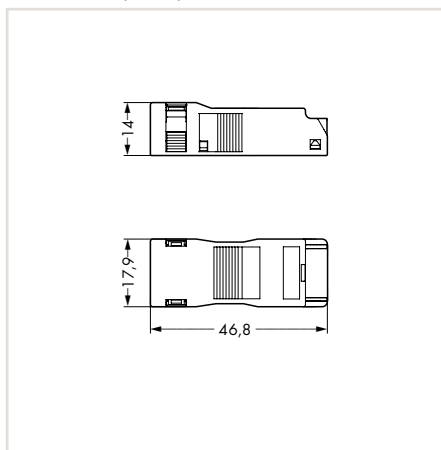
### Strain Relief Housings, 3-Pole

### 890 Series

1



Dimensions (in mm):





Strain relief housing,  
for 4.5 ... 10 mm cable diameter,  
37 mm strip length


Color	Item No.	Pack. Unit
black	890-503	50
white	890-513	50

**Note:**

All connectors for fixed installations (snap-in versions for lighting fixtures or devices, all types of PCB and distribution connectors) are factory-equipped with locking levers to ensure plugs and sockets are securely locked. Additional locking levers are only required for "flying leads" (plug/socket).

 890 Series Accessories,  
see page 352

 Approvals,  
see [www.wago.com](http://www.wago.com)

 Coding overview,  
see page 372

## WINSTA® MINI

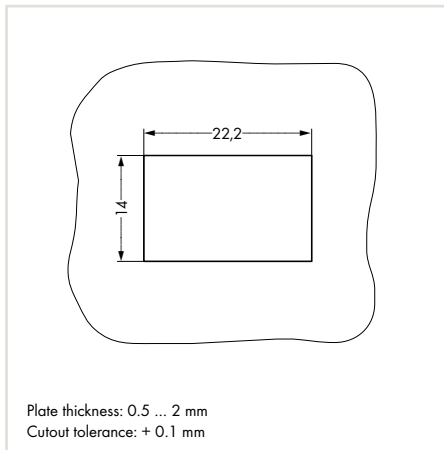
### Snap-In Sockets and Plugs, 3-Pole

#### 890 Series

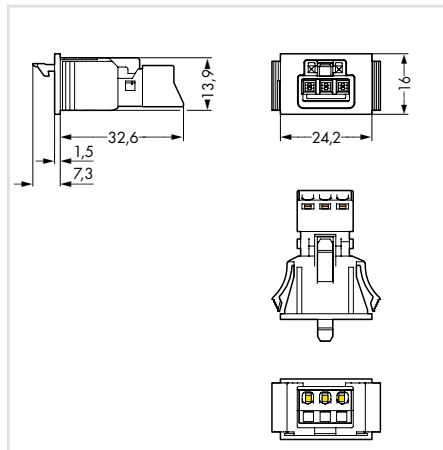
Conductor range, solid and fine-stranded	0.25 ... 1.5 mm <sup>2</sup> / 22 ... 16 AWG
Conductor range, stranded	0.25 ... 1 mm <sup>2</sup> / 22 ... 18 AWG
Rated voltage	250 V
Rated current	16 A
Strip length	9 mm / 0.35 inch



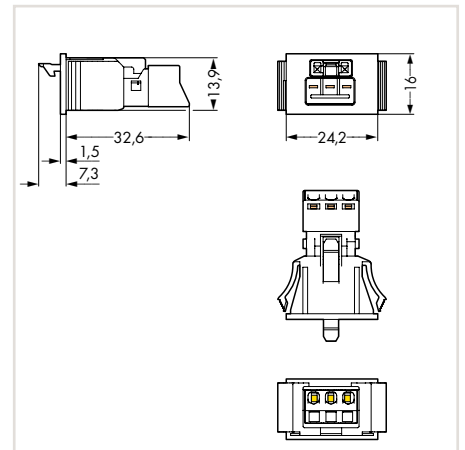
Dimensions (in mm):



Dimensions (in mm):



Dimensions (in mm):

**Socket**

Color	Item No.	Pack. Unit
● black	890-703	50
○ white	890-723	50

**Socket, without locking lever, for lighting installation with intermediate coupler**

Color	Item No.	Pack. Unit
● black	890-703/006-000	50
○ white	890-723/006-000	50

**Plugs**

Color	Item No.	Pack. Unit
● black	890-713	50
○ white	890-733	50

**Plug, without locking lever, for lighting installation with intermediate coupler**

Color	Item No.	Pack. Unit
● black	890-713/006-000	50
○ white	890-733/006-000	50

**Coding**

A
A

**Marking**

L ⊕ N
L ⊕ N

**Color**

● black
○ white

# WINSTA® MINI

## Pluggable PCB Connectors, 3-Pole

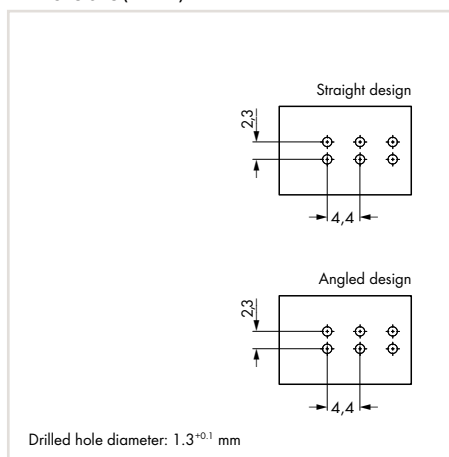
### 890 Series

1

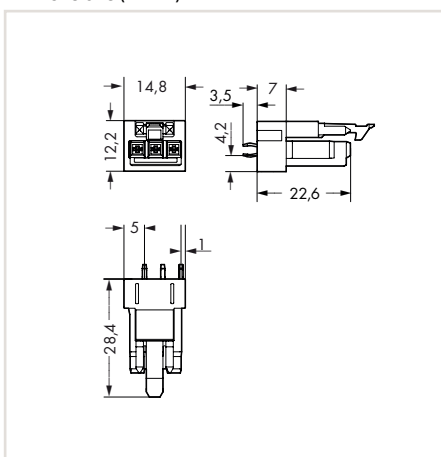
Rated voltage	250 V
Rated current	16 A



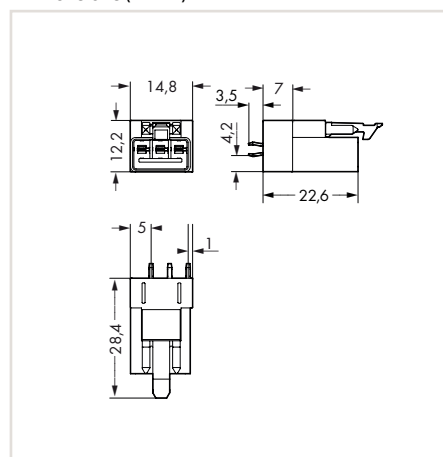
Dimensions (in mm):



Dimensions (in mm):



Dimensions (in mm):



Socket, straight		
Color	Item No.	Pack. Unit
● black	890-803	100
○ white	890-823	100

Plug, straight		
Color	Item No.	Pack. Unit
● black	890-813	100
○ white	890-833	100

**Note:**

All connectors for fixed installations (snap-in versions for lighting fixtures or devices, all types of PCB and distribution connectors) are factory-equipped with locking levers to ensure plugs and sockets are securely locked. Additional locking levers are only required for "flying leads" (plug/socket).

890 Series Accessories, see page 352

Approvals, see www.wago.com

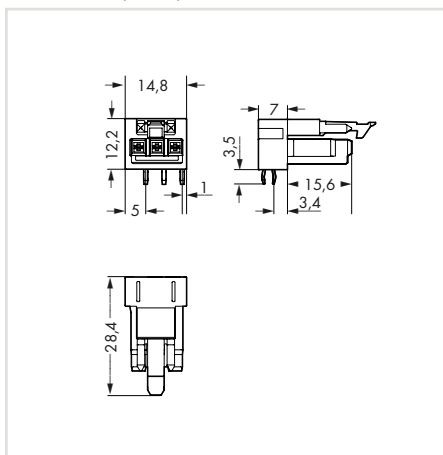
Coding overview, see page 372

Coding	Marking	Color
A	L ⊕ N	● black
A	L ⊕ N	○ white

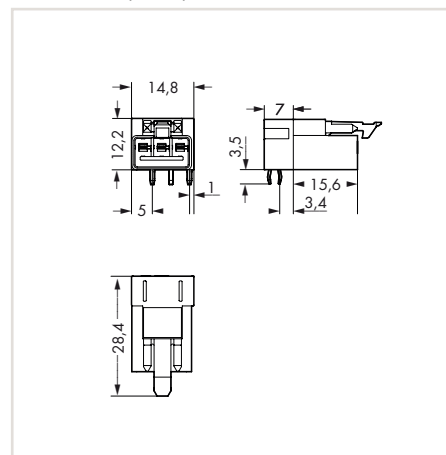
Rated voltage	250 V
Rated current	16 A



Dimensions (in mm):



Dimensions (in mm):



Socket, angled		
Color	Item No.	Pack. Unit
● black	890-803/011-000	100
○ white	890-823/011-000	100

Plug, angled		
Color	Item No.	Pack. Unit
● black	890-813/011-000	100
○ white	890-833/011-000	100

Coding	Marking	Color
A	L ⊕ N	● black
A	L ⊕ N	○ white

# WINSTA® MINI

## Intermediate Couplers, 3-Pole

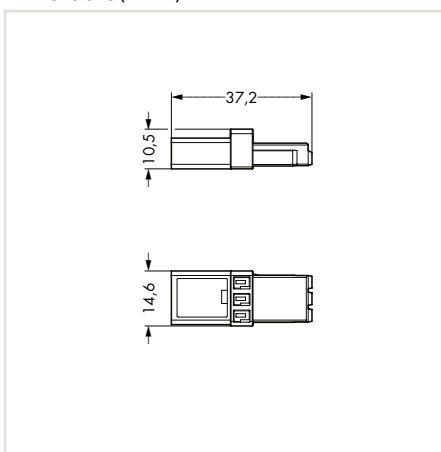
### 890 Series

1

Rated voltage	250 V
Rated current	16 A



Dimensions (in mm):



Intermediate coupler , 1 x plug/1 x socket		
Color	Item No.	Pack. Unit
● black	890-603	50
○ white	890-653	50

**Note**

At least one snap-in connector **without** a locking lever is required on one side when connecting two lights directly via intermediate coupler (see page 29).

890 Series Accessories, see page 352

Approvals, see www.wago.com

Coding overview, see page 372

Coding	Marking	Color
A	-	● black
A	-	○ white



# WINSTA® MINI

## Distribution Connectors, 3-Pole

### 890 Series

Rated voltage

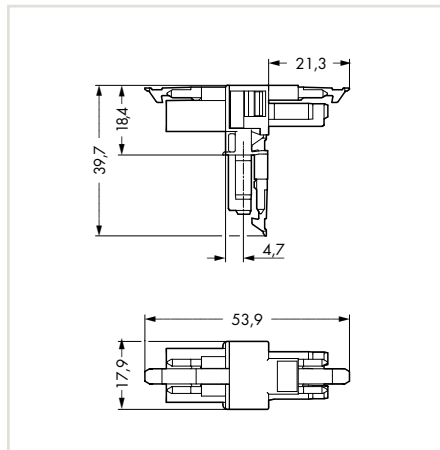
250 V

Rated current

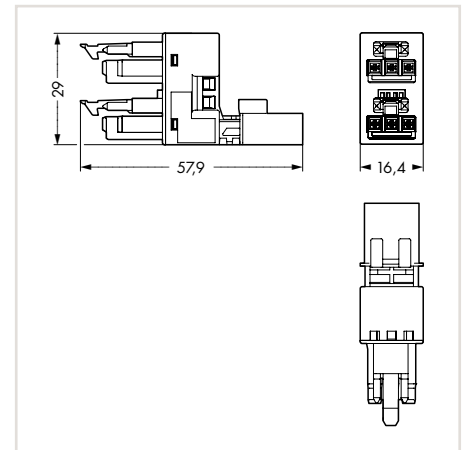
16 A



Dimensions (in mm):



Dimensions (in mm):



T-distribution connector,  
1 x plug/2 x socket

Color	Item No.	Pack. Unit
● black	890-606	25
○ white	890-656	25

h-distribution connector, unidirectional,  
plug/socket – socket

Color	Item No.	Pack. Unit
● black	890-634	50
○ white	890-684	50

T-distribution connector,  
1 x plug/2 x socket,  
for "flying leads,"  
with 3rd locking lever

Color	Item No.	Pack. Unit
● black	890-615	25
○ white	890-665	25

h-distribution connector, unidirectional,  
plug/socket – socket,  
for "flying leads,"  
with 3rd locking lever

Color	Item No.	Pack. Unit
● black	890-636	50
○ white	890-686	50

Coding

A

A

Marking

L ⊕ N

L ⊕ N

Color

● black

○ white

# WINSTA® MINI

## Cable Assemblies 3 x 1 mm<sup>2</sup>, PVC

### 891 Series

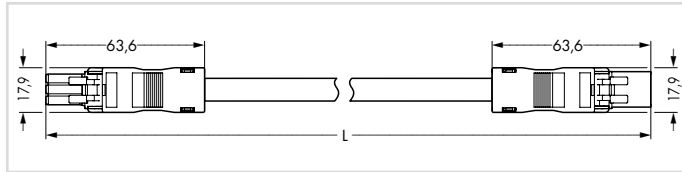
1

PVC	H05VV-F 3G1
-----	-------------

Rated voltage	250 V
Rated current	10 A
Strip length	9 mm / 0.35 inch
Conductor preparation	tip-bonded



Dimensions (in mm):

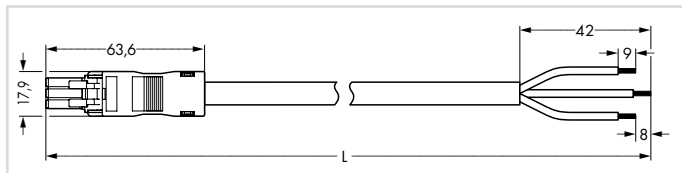


Interconnecting cable, socket – plug, PVC, A-coding

Length	● black	○ white	Pack. Unit
1 m	891-8993/005-101	891-8993/005-102	1
2 m	891-8993/005-201	891-8993/005-202	1
3 m	891-8993/005-301	891-8993/005-302	1
4 m	891-8993/005-401	891-8993/005-402	1
5 m	891-8993/005-501	891-8993/005-502	1
6 m	891-8993/005-601	891-8993/005-602	1
7 m	891-8993/005-701	891-8993/005-702	1
8 m	891-8993/005-801	891-8993/005-802	1



Dimensions (in mm):

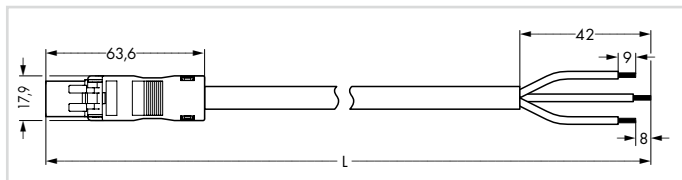


Connecting cable, socket – free end, PVC, A-coding

Length	● black	○ white	Pack. Unit
1 m	891-8993/105-101	891-8993/105-102	1
2 m	891-8993/105-201	891-8993/105-202	1
3 m	891-8993/105-301	891-8993/105-302	1
4 m	891-8993/105-401	891-8993/105-402	1
5 m	891-8993/105-501	891-8993/105-502	1
6 m	891-8993/105-601	891-8993/105-602	1
7 m	891-8993/105-701	891-8993/105-702	1
8 m	891-8993/105-801	891-8993/105-802	1



Dimensions (in mm):



Connecting cable, plug – free end, PVC, A-coding

Length	● black	○ white	Pack. Unit
1 m	891-8993/205-101	891-8993/205-102	1
2 m	891-8993/205-201	891-8993/205-202	1
3 m	891-8993/205-301	891-8993/205-302	1
4 m	891-8993/205-401	891-8993/205-402	1
5 m	891-8993/205-501	891-8993/205-502	1
6 m	891-8993/205-601	891-8993/205-602	1
7 m	891-8993/205-701	891-8993/205-702	1
8 m	891-8993/205-801	891-8993/205-802	1

Additional cable lengths available upon request.

891 Series Accessories, see page 352

Approvals, see www.wago.com

Coding overview, see page 372

Coding	Marking	Color
A	L ⊕ N	● black
A	L ⊕ N	○ white

# WINSTA® MINI

## Cable Assemblies 3 x 1 mm<sup>2</sup>, Halogen-Free

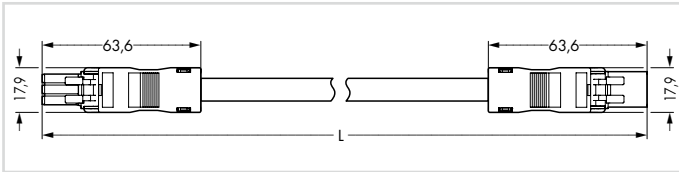
### 891 Series

halogen-free	H05Z1Z1-F 3G1
--------------	---------------

Rated voltage	250 V
Rated current	10 A
Strip length	9 mm / 0.35 inch
Conductor preparation	tip-bonded



Dimensions (in mm):

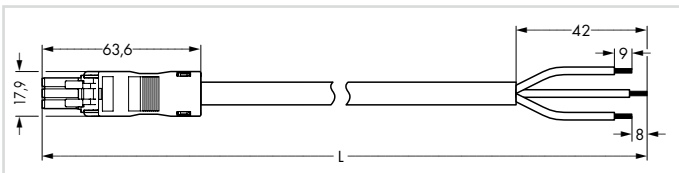


Interconnecting cable, socket – plug, halogen-free, A-coding

Length	● black	○ white	Pack. Unit
1 m	891-8993/015-101	891-8993/015-102	1
2 m	891-8993/015-201	891-8993/015-202	1
3 m	891-8993/015-301	891-8993/015-302	1
4 m	891-8993/015-401	891-8993/015-402	1
5 m	891-8993/015-501	891-8993/015-502	1
6 m	891-8993/015-601	891-8993/015-602	1
7 m	891-8993/015-701	891-8993/015-702	1
8 m	891-8993/015-801	891-8993/015-802	1



Dimensions (in mm):

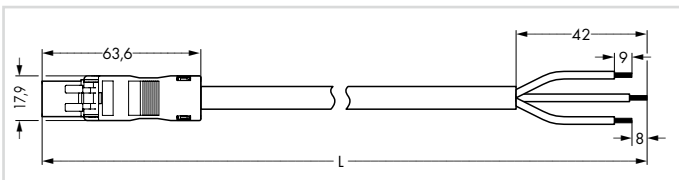


Connecting cable, socket – free end, halogen-free, A-coding

Length	● black	○ white	Pack. Unit
1 m	891-8993/115-101	891-8993/115-102	1
2 m	891-8993/115-201	891-8993/115-202	1
3 m	891-8993/115-301	891-8993/115-302	1
4 m	891-8993/115-401	891-8993/115-402	1
5 m	891-8993/115-501	891-8993/115-502	1
6 m	891-8993/115-601	891-8993/115-602	1
7 m	891-8993/115-701	891-8993/115-702	1
8 m	891-8993/115-801	891-8993/115-802	1



Dimensions (in mm):



Connecting cable, plug – free end, halogen-free, A-coding

Length	● black	○ white	Pack. Unit
1 m	891-8993/215-101	891-8993/215-102	1
2 m	891-8993/215-201	891-8993/215-202	1
3 m	891-8993/215-301	891-8993/215-302	1
4 m	891-8993/215-401	891-8993/215-402	1
5 m	891-8993/215-501	891-8993/215-502	1
6 m	891-8993/215-601	891-8993/215-602	1
7 m	891-8993/215-701	891-8993/215-702	1
8 m	891-8993/215-801	891-8993/215-802	1

Coding	Marking	Color
A	L ⊕ N	● black
A	L ⊕ N	○ white

# WINSTA® MINI

## Cable Assemblies 3 x 1.5 mm<sup>2</sup>, PVC

### 891 Series

PVC	H05VV-F 3G1.5
-----	---------------

Rated voltage	250 V
Rated current	16 A
Strip length	9 mm / 0.35 inch
Conductor preparation	tip-bonded

1



Dimensions (in mm):



Interconnecting cable, socket – plug, PVC, A-coding			
Length	● black	○ white	Pack. Unit
1 m	891-8993/006-101	891-8993/006-102	1
2 m	891-8993/006-201	891-8993/006-202	1
3 m	891-8993/006-301	891-8993/006-302	1
4 m	891-8993/006-401	891-8993/006-402	1
5 m	891-8993/006-501	891-8993/006-502	1
6 m	891-8993/006-601	891-8993/006-602	1
7 m	891-8993/006-701	891-8993/006-702	1
8 m	891-8993/006-801	891-8993/006-802	1



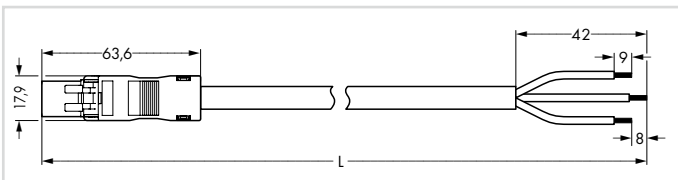
Dimensions (in mm):



Connecting cable, socket – free end, PVC, A-coding			
Length	● black	○ white	Pack. Unit
1 m	891-8993/106-101	891-8993/106-102	1
2 m	891-8993/106-201	891-8993/106-202	1
3 m	891-8993/106-301	891-8993/106-302	1
4 m	891-8993/106-401	891-8993/106-402	1
5 m	891-8993/106-501	891-8993/106-502	1
6 m	891-8993/106-601	891-8993/106-602	1
7 m	891-8993/106-701	891-8993/106-702	1
8 m	891-8993/106-801	891-8993/106-802	1



Dimensions (in mm):



Connecting cable, plug – free end, PVC, A-coding			
Length	● black	○ white	Pack. Unit
1 m	891-8993/206-101	891-8993/206-102	1
2 m	891-8993/206-201	891-8993/206-202	1
3 m	891-8993/206-301	891-8993/206-302	1
4 m	891-8993/206-401	891-8993/206-402	1
5 m	891-8993/206-501	891-8993/206-502	1
6 m	891-8993/206-601	891-8993/206-602	1
7 m	891-8993/206-701	891-8993/206-702	1
8 m	891-8993/206-801	891-8993/206-802	1

Additional cable lengths available upon request.

- 891 Series Accessories, see page 352
- Approvals, see www.wago.com
- Coding overview, see page 372

Coding	Marking	Color
A	L ⊕ N	● black
A	L ⊕ N	○ white

# WINSTA® MINI

## Cable Assemblies 3 x 1.5 mm<sup>2</sup>, Halogen-Free

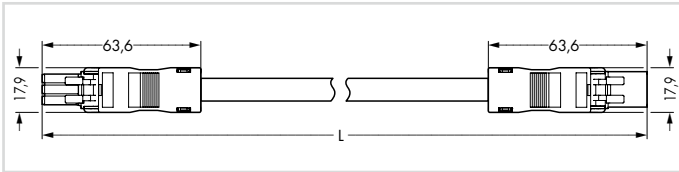
### 891 Series

halogen-free	H05Z1Z1-F 3G1.5
--------------	-----------------

Rated voltage	250 V
Rated current	16 A
Strip length	9 mm / 0.35 inch
Conductor preparation	tip-bonded



Dimensions (in mm):

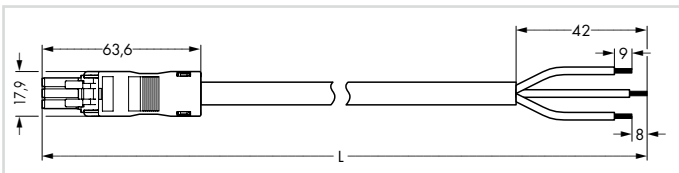


Interconnecting cable, socket – plug, halogen-free, A-coding

Length	● black	○ white	Pack. Unit
1 m	891-8993/016-101	891-8993/016-102	1
2 m	891-8993/016-201	891-8993/016-202	1
3 m	891-8993/016-301	891-8993/016-302	1
4 m	891-8993/016-401	891-8993/016-402	1
5 m	891-8993/016-501	891-8993/016-502	1
6 m	891-8993/016-601	891-8993/016-602	1
7 m	891-8993/016-701	891-8993/016-702	1
8 m	891-8993/016-801	891-8993/016-802	1



Dimensions (in mm):

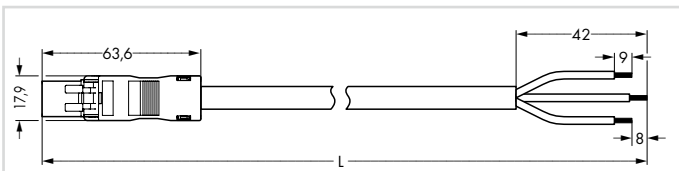


Connecting cable, socket – free end, halogen-free, A-coding

Length	● black	○ white	Pack. Unit
1 m	891-8993/116-101	891-8993/116-102	1
2 m	891-8993/116-201	891-8993/116-202	1
3 m	891-8993/116-301	891-8993/116-302	1
4 m	891-8993/116-401	891-8993/116-402	1
5 m	891-8993/116-501	891-8993/116-502	1
6 m	891-8993/116-601	891-8993/116-602	1
7 m	891-8993/116-701	891-8993/116-702	1
8 m	891-8993/116-801	891-8993/116-802	1



Dimensions (in mm):



Connecting cable, plug – free end, halogen-free, A-coding

Length	● black	○ white	Pack. Unit
1 m	891-8993/216-101	891-8993/216-102	1
2 m	891-8993/216-201	891-8993/216-202	1
3 m	891-8993/216-301	891-8993/216-302	1
4 m	891-8993/216-401	891-8993/216-402	1
5 m	891-8993/216-501	891-8993/216-502	1
6 m	891-8993/216-601	891-8993/216-602	1
7 m	891-8993/216-701	891-8993/216-702	1
8 m	891-8993/216-801	891-8993/216-802	1

Coding	Marking	Color
A	L ⊕ N	● black
A	L ⊕ N	○ white

# WINSTA® MINI

## Sockets and Plugs, 4-Pole

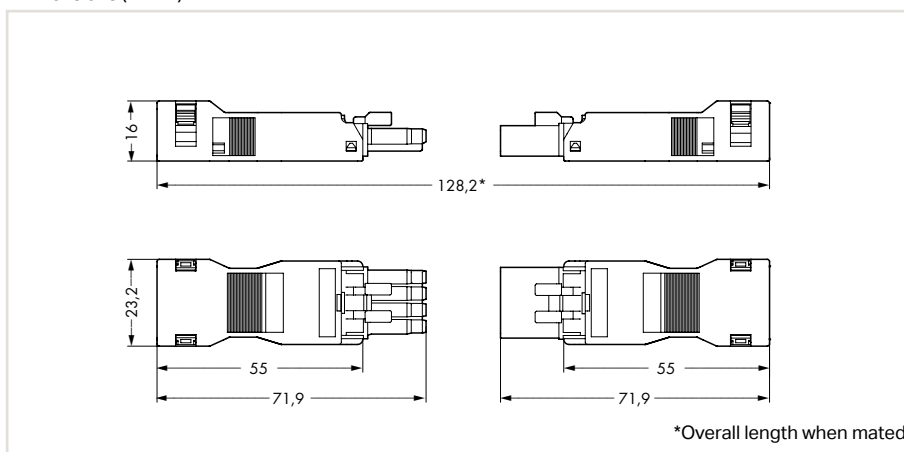
### 890 Series

1

Conductor range, solid and fine-stranded	0.25 ... 1.5 mm <sup>2</sup> / 22 ... 16 AWG
Conductor range, stranded	0.25 ... 1 mm <sup>2</sup> / 22 ... 18 AWG
Rated voltage	400 V
Rated current	16 A
Strip length	9 mm / 0.35 inch



Dimensions (in mm):



\*Overall length when mated

Socket, with strain relief housing, for 6.5 ... 10.5 mm cable diameter, 45 mm strip length		
Color	Item No.	Pack. Unit
● black	890-104	50
○ white	890-124	50

Plug, with strain relief housing, for 6.5 ... 10.5 mm cable diameter, 45 mm strip length		
Color	Item No.	Pack. Unit
● black	890-114	50
○ white	890-134	50

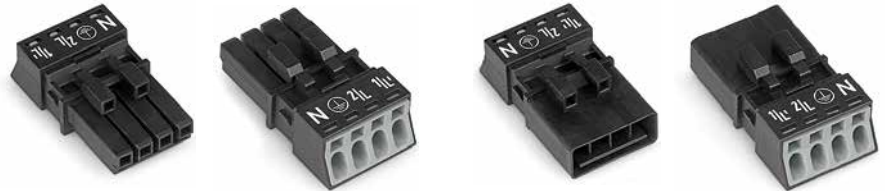
**Note:**

All connectors for fixed installations (snap-in versions for lighting fixtures or devices, all types of PCB and distribution connectors) are factory-equipped with locking levers to ensure plugs and sockets are securely locked. Additional locking levers are only required for "flying leads" (plug/socket).

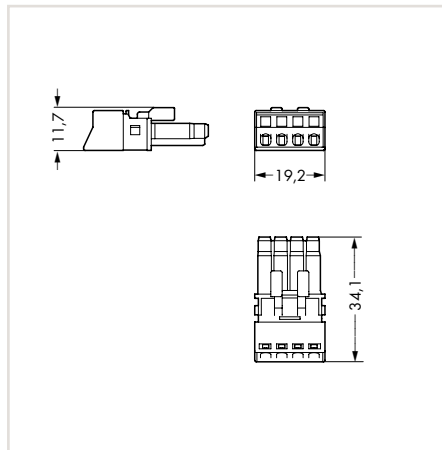
- 890 Series Accessories, see page 352
- Approvals, see www.wago.com
- Coding overview, see page 372

Coding	Marking	Color
A	N Ⓞ 2L 1L	● black
A	N Ⓞ 2L 1L	○ white

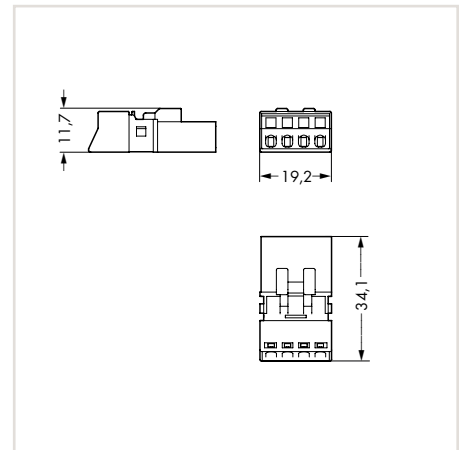
Conductor range, solid and fine-stranded	0.25 ... 1.5 mm <sup>2</sup> / 22 ... 16 AWG
Conductor range, stranded	0.25 ... 1 mm <sup>2</sup> / 22 ... 18 AWG
Rated voltage	400 V
Rated current	16 A
Strip length	9 mm / 0.35 inch



Dimensions (in mm):



Dimensions (in mm):



Socket, without strain relief housing		
Color	Item No.	Pack. Unit
● black	890-204	50
○ white	890-224	50

Plug, without strain relief housing		
Color	Item No.	Pack. Unit
● black	890-214	50
○ white	890-234	50

Coding	Marking	Color
A	N Ⓢ 2L 1L	● black
A	N Ⓢ 2L 1L	○ white

# WINSTA® MINI

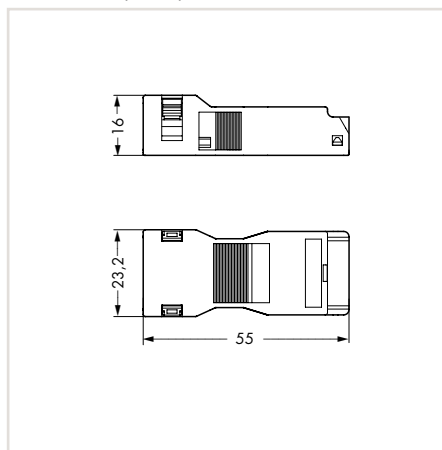
## Strain Relief Housings, 4-Pole

### 890 Series

1



Dimensions (in mm):





Strain relief housing,  
for 6.5 ... 10.5 mm cable diameter,  
45 mm strip length


Color	Item No.	Pack. Unit
black	890-504	50
white	890-514	50

#### Note:

All connectors for fixed installations (snap-in versions for lighting fixtures or devices, all types of PCB and distribution connectors) are factory-equipped with locking levers to ensure plugs and sockets are securely locked. Additional locking levers are only required for "flying leads" (plug/socket).

 890 Series Accessories,  
see page 352

 Approvals,  
see [www.wago.com](http://www.wago.com)

 Coding overview,  
see page 372



## WINSTA® MINI

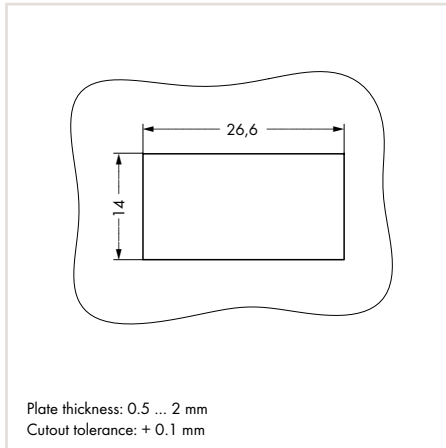
### Snap-In Sockets and Plugs, 4-Pole

### 890 Series

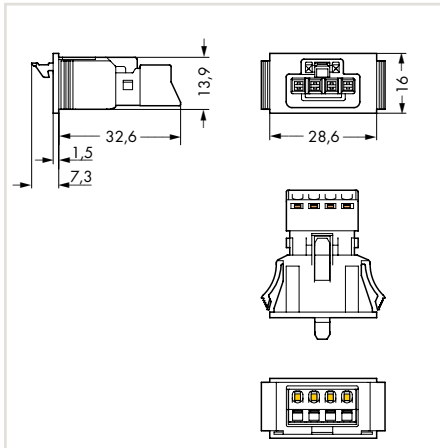
Conductor range, solid and fine-stranded	0.25 ... 1.5 mm <sup>2</sup> / 22 ... 16 AWG
Conductor range, stranded	0.25 ... 1 mm <sup>2</sup> / 22 ... 18 AWG
Rated voltage	400 V
Rated current	16 A
Strip length	9 mm / 0.35 inch



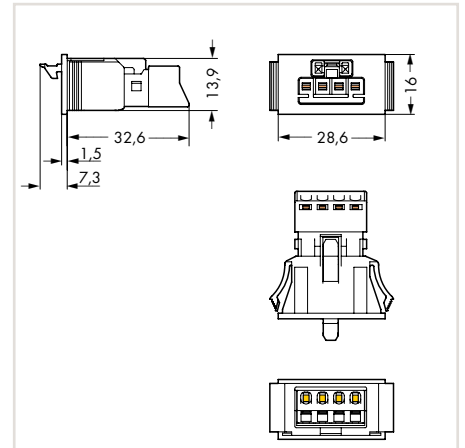
Dimensions (in mm):



Dimensions (in mm):



Dimensions (in mm):



Socket		
Color	Item No.	Pack. Unit
● black	890-704	50
○ white	890-724	50

Plugs		
Color	Item No.	Pack. Unit
● black	890-714	50
○ white	890-734	50

Coding	Marking	Color
A	N Ⓢ 2L 1L	● black
A	N Ⓢ 2L 1L	○ white

# WINSTA® MINI

## Pluggable PCB Connectors, 4-Pole

### 890 Series

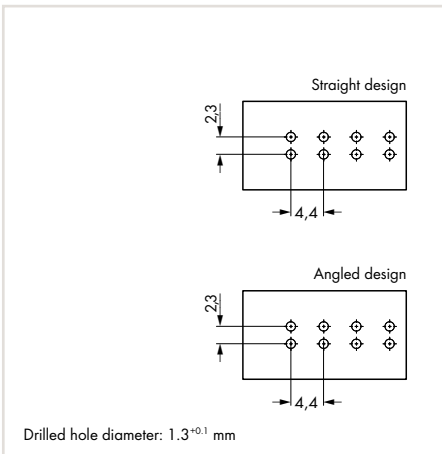
1

Rated voltage	250 V
Rated current	16 A

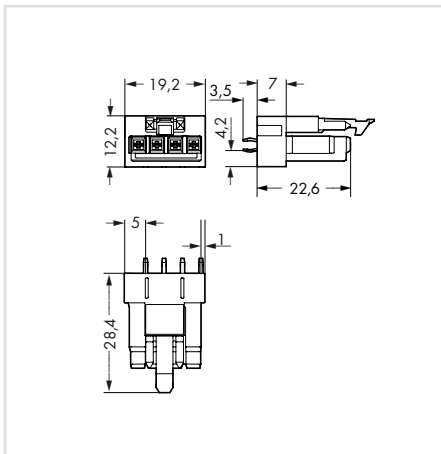
Rated voltage	250 V
Rated current	16 A



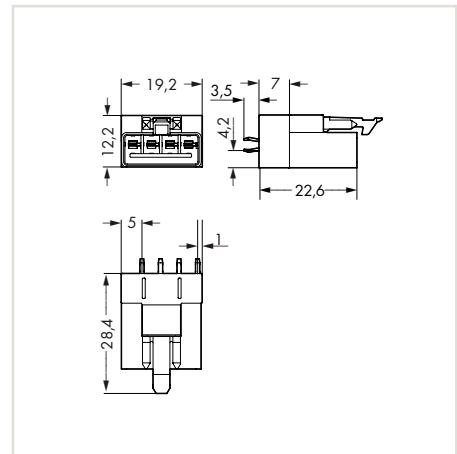
Dimensions (in mm):



Dimensions (in mm):



Dimensions (in mm):



Socket, straight		
Color	Item No.	Pack. Unit
● black	890-804	100
○ white	890-824	100

Plug, straight		
Color	Item No.	Pack. Unit
● black	890-814	100
○ white	890-834	100

**Note:**

All connectors for fixed installations (snap-in versions for lighting fixtures or devices, all types of PCB and distribution connectors) are factory-equipped with locking levers to ensure plugs and sockets are securely locked. Additional locking levers are only required for "flying leads" (plug/socket).

890 Series Accessories, see page 352

Approvals, see www.wago.com

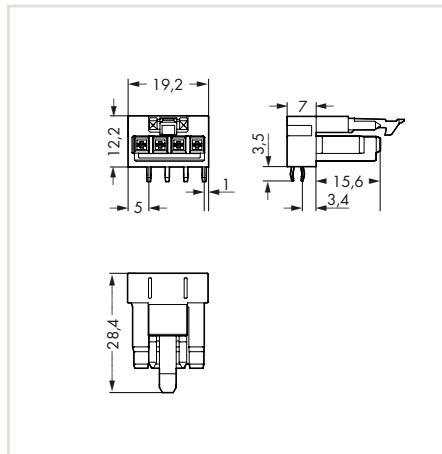
Coding overview, see page 372

Coding	Marking	Color
A	N ⊕ 2L 1L	● black
A	N ⊕ 2L 1L	○ white

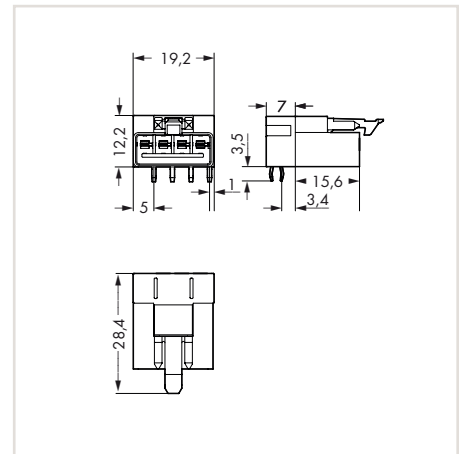
Rated voltage	250 V
Rated current	16 A



Dimensions (in mm):



Dimensions (in mm):



Socket, angled		
Color	Item No.	Pack. Unit
● black	890-804/011-000	100
○ white	890-824/011-000	100

Plug, angled		
Color	Item No.	Pack. Unit
● black	890-814/011-000	100
○ white	890-834/011-000	100

Coding	Marking	Color
A	N Ⓢ 2L 1L	● black
A	N Ⓢ 2L 1L	○ white

# WINSTA® MINI

## Intermediate Couplers, 4-Pole

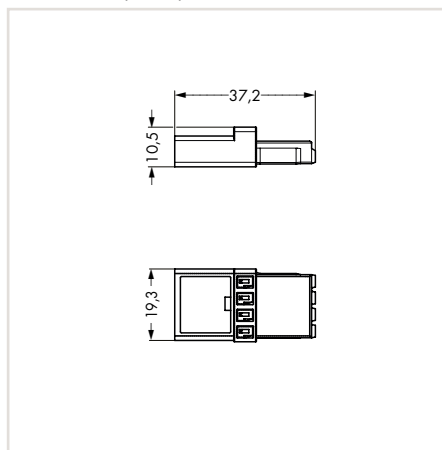
### 890 Series

1

Rated voltage	400 V
Rated current	16 A



Dimensions (in mm):



Intermediate coupler ,  
1 x plug/1 x socket

Color	Item No.	Pack. Unit
● black	890-604	50
○ white	890-654	50

#### Note

At least one snap-in connector **without** a locking lever is required on one side when connecting two lights directly via intermediate coupler.

890 Series Accessories,  
see page 352

Approvals,  
see [www.wago.com](http://www.wago.com)

Coding overview,  
see page 372

Coding	Marking	Color
A	-	● black
A	-	○ white

# WINSTA® MINI

## Distribution Connectors, 4-Pole

### 890 Series

Rated voltage

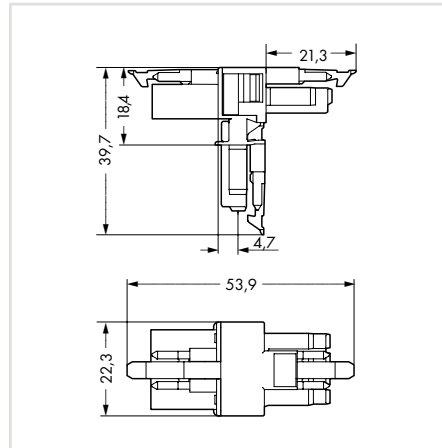
400 V

Rated current

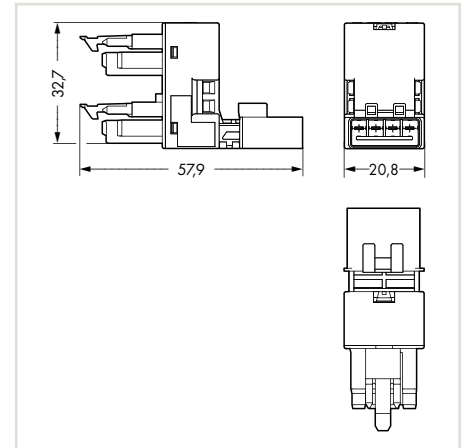
16 A



Dimensions (in mm):



Dimensions (in mm):



T-distribution connector,  
1 x plug/2 x socket

Color	Item No.	Pack. Unit
● black	890-626	50
○ white	890-676	50

h-distribution connector, unidirectional,  
plug/socket – socket

Color	Item No.	Pack. Unit
● black	890-944	50
○ white	890-994	50

T-distribution connector,  
1 x plug/2 x socket,  
for "flying leads,"  
with 3rd locking lever

Color	Item No.	Pack. Unit
● black	890-627	50
○ white	890-677	50

h-distribution connector, unidirectional,  
plug/socket – socket,  
for "flying leads,"  
with 3rd locking lever

Color	Item No.	Pack. Unit
● black	890-945	50
○ white	890-995	50

Coding

A

A

Marking

N Ⓢ 2L 1L

N Ⓢ 2L 1L

Color

● black

○ white

# WINSTA® MINI

## Cable Assemblies 4 x 1.5 mm<sup>2</sup>, PVC

### 891 Series

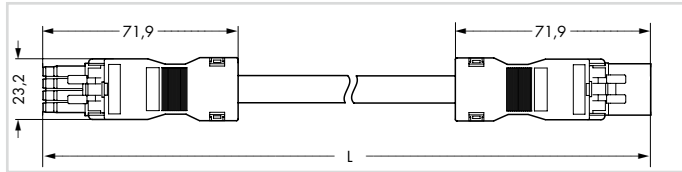
1

PVC	H05VV-F 4G1.5
-----	---------------

Rated voltage	400 V
Rated current	16 A
Strip length	9 mm / 0.35 inch
Conductor preparation	tip-bonded



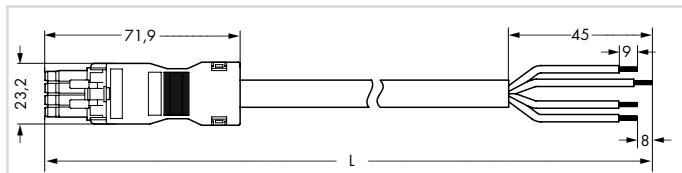
Dimensions (in mm):



Interconnecting cable, socket – plug, PVC, A-coding			
Length	● black	○ white	Pack. Unit
1 m	891-8994/006-101	891-8994/006-102	1
2 m	891-8994/006-201	891-8994/006-202	1
3 m	891-8994/006-301	891-8994/006-302	1
4 m	891-8994/006-401	891-8994/006-402	1
5 m	891-8994/006-501	891-8994/006-502	1
6 m	891-8994/006-601	891-8994/006-602	1
7 m	891-8994/006-701	891-8994/006-702	1
8 m	891-8994/006-801	891-8994/006-802	1



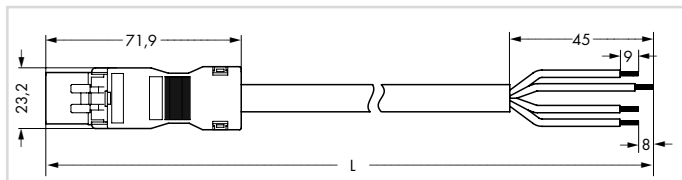
Dimensions (in mm):



Connecting cable, socket – free end, PVC, A-coding			
Length	● black	○ white	Pack. Unit
1 m	891-8994/106-101	891-8994/106-102	1
2 m	891-8994/106-201	891-8994/106-202	1
3 m	891-8994/106-301	891-8994/106-302	1
4 m	891-8994/106-401	891-8994/106-402	1
5 m	891-8994/106-501	891-8994/106-502	1
6 m	891-8994/106-601	891-8994/106-602	1
7 m	891-8994/106-701	891-8994/106-702	1
8 m	891-8994/106-801	891-8994/106-802	1



Dimensions (in mm):



Connecting cable, plug – free end, PVC, A-coding			
Length	● black	○ white	Pack. Unit
1 m	891-8994/206-101	891-8994/206-102	1
2 m	891-8994/206-201	891-8994/206-202	1
3 m	891-8994/206-301	891-8994/206-302	1
4 m	891-8994/206-401	891-8994/206-402	1
5 m	891-8994/206-501	891-8994/206-502	1
6 m	891-8994/206-601	891-8994/206-602	1
7 m	891-8994/206-701	891-8994/206-702	1
8 m	891-8994/206-801	891-8994/206-802	1

Additional cable lengths available upon request.

891 Series Accessories, see page 352

Approvals, see www.wago.com

Coding overview, see page 372

Coding	Marking	Color
A	N ⊕ ²L ¹L	● black
A	N ⊕ ²L ¹L	○ white

# WINSTA® MINI

## Cable Assemblies 4 x 1.5 mm<sup>2</sup>, Halogen-Free

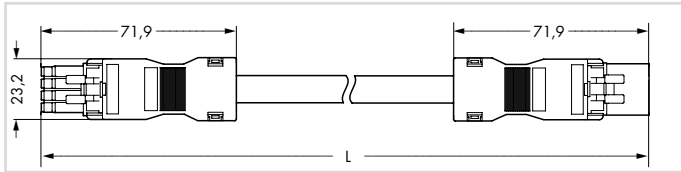
### 891 Series

halogen-free	H05Z1Z1-F 4G1.5
--------------	-----------------

Rated voltage	400 V
Rated current	16 A
Strip length	9 mm / 0.35 inch
Conductor preparation	tip-bonded



Dimensions (in mm):

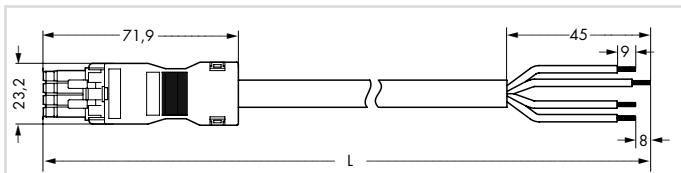


Interconnecting cable, socket – plug, halogen-free, A-coding

Length	● black	○ white	Pack. Unit
1 m	891-8994/016-101	891-8994/016-102	1
2 m	891-8994/016-201	891-8994/016-202	1
3 m	891-8994/016-301	891-8994/016-302	1
4 m	891-8994/016-401	891-8994/016-402	1
5 m	891-8994/016-501	891-8994/016-502	1
6 m	891-8994/016-601	891-8994/016-602	1
7 m	891-8994/016-701	891-8994/016-702	1
8 m	891-8994/016-801	891-8994/016-802	1



Dimensions (in mm):

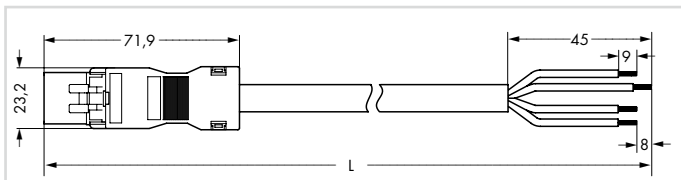


Connecting cable, socket – free end, halogen-free, A-coding

Length	● black	○ white	Pack. Unit
1 m	891-8994/116-101	891-8994/116-102	1
2 m	891-8994/116-201	891-8994/116-202	1
3 m	891-8994/116-301	891-8994/116-302	1
4 m	891-8994/116-401	891-8994/116-402	1
5 m	891-8994/116-501	891-8994/116-502	1
6 m	891-8994/116-601	891-8994/116-602	1
7 m	891-8994/116-701	891-8994/116-702	1
8 m	891-8994/116-801	891-8994/116-802	1



Dimensions (in mm):



Connecting cable, plug – free end, halogen-free, A-coding

Length	● black	○ white	Pack. Unit
1 m	891-8994/216-101	891-8994/216-102	1
2 m	891-8994/216-201	891-8994/216-202	1
3 m	891-8994/216-301	891-8994/216-302	1
4 m	891-8994/216-401	891-8994/216-402	1
5 m	891-8994/216-501	891-8994/216-502	1
6 m	891-8994/216-601	891-8994/216-602	1
7 m	891-8994/216-701	891-8994/216-702	1
8 m	891-8994/216-801	891-8994/216-802	1

Coding	Marking	Color
A	N Ⓞ ²L ¹L	● black
A	N Ⓞ ²L ¹L	○ white

# WINSTA® MINI

## Sockets and Plugs, 5-Pole

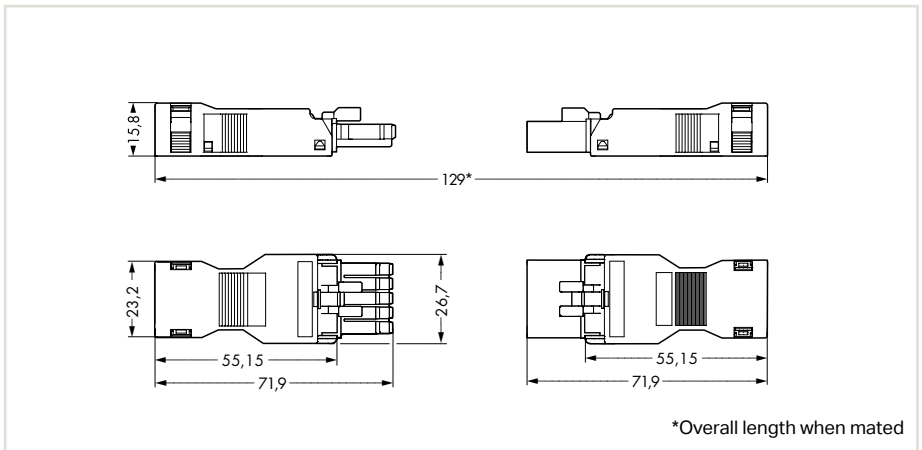
### 890 Series

1

Conductor range, solid and fine-stranded	0.25 ... 1.5 mm <sup>2</sup> / 22 ... 16 AWG
Conductor range, stranded	0.25 ... 1 mm <sup>2</sup> / 22 ... 18 AWG
Rated voltage	400 V
Rated current	13 A
Strip length	9 mm / 0.35 inch



Dimensions (in mm):



\*Overall length when mated

Socket, with strain relief housing, for 6.5 ... 10.5 mm cable diameter, 45 mm strip length		
Color	Item No.	Pack. Unit
● black	890-105	50
○ white	890-125	50

Plug, with strain relief housing, for 6.5 ... 10.5 mm cable diameter, 45 mm strip length		
Color	Item No.	Pack. Unit
● black	890-115	50
○ white	890-135	50

**Note:**

All connectors for fixed installations (snap-in versions for lighting fixtures or devices, all types of PCB and distribution connectors) are factory-equipped with locking levers to ensure plugs and sockets are securely locked. Additional locking levers are only required for "flying leads" (plug/socket).

890 Series Accessories, see page 352

Approvals, see www.wago.com

Coding overview, see page 372

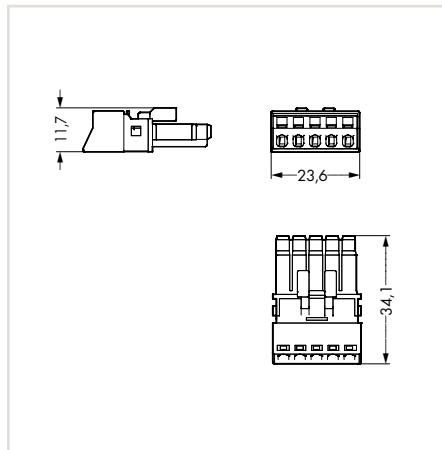
Coding	Marking	Color
A	N ⊕ 1 2 3	● black
A	N ⊕ 1 2 3	○ white



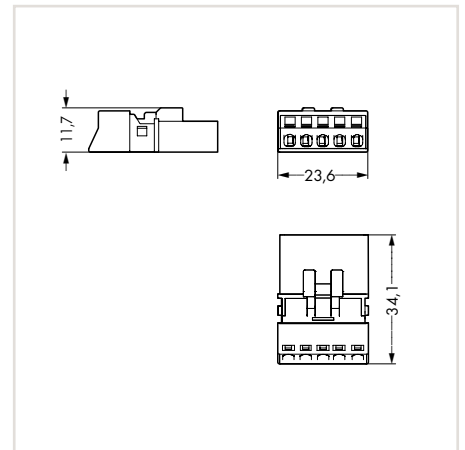
Conductor range, solid and fine-stranded	0.25 ... 1.5 mm <sup>2</sup> / 22 ... 16 AWG
Conductor range, stranded	0.25 ... 1 mm <sup>2</sup> / 22 ... 18 AWG
Rated voltage	400 V
Rated current	13 A (16 A for DALI applications)
Strip length	9 mm / 0.35 inch



Dimensions (in mm):



Dimensions (in mm):


**Socket,  
without strain relief housing**

Color	Item No.	Pack. Unit
● black	890-205	50
○ white	890-225	50
● blue	890-1105	50

**Plug,  
without strain relief housing**

Color	Item No.	Pack. Unit
● black	890-215	50
○ white	890-235	50
● blue	890-1115	50

Coding	Marking	Color
A	N ⊕ 1 2 3	● black
A	N ⊕ 1 2 3	○ white
I	N ⊕ L + -	● blue

# WINSTA® MINI

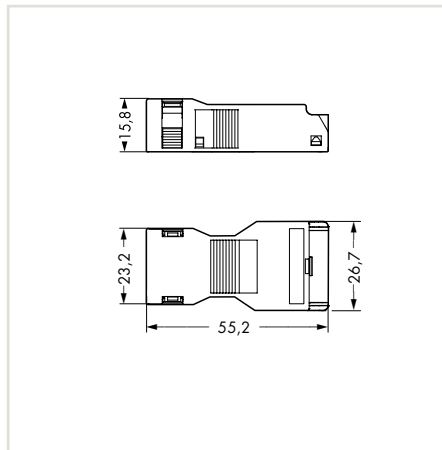
## Strain Relief Housings, 5-Pole

### 890 Series

1



Dimensions (in mm):





Strain relief housing,  
for 6.5 ... 10.5 mm cable diameter,  
45 mm strip length


Color	Item No.	Pack. Unit
black	890-505	50
white	890-515	50

**Note:**

All connectors for fixed installations (snap-in versions for lighting fixtures or devices, all types of PCB and distribution connectors) are factory-equipped with locking levers to ensure plugs and sockets are securely locked. Additional locking levers are only required for "flying leads" (plug/socket).

 890 Series Accessories,  
see page 352

 Approvals,  
see [www.wago.com](http://www.wago.com)

 Coding overview,  
see page 372

## WINSTA® MINI

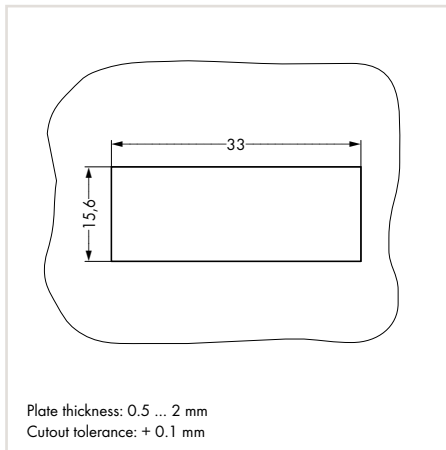
### Snap-In Sockets and Plugs, 5-Pole

### 890 Series

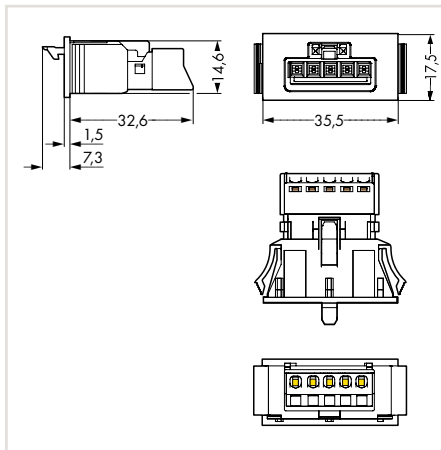
Conductor range, solid and fine-stranded	0.25 ... 1.5 mm <sup>2</sup> / 22 ... 16 AWG
Conductor range, stranded	0.25 ... 1 mm <sup>2</sup> / 22 ... 18 AWG
Rated voltage	400 V
Rated current	13 A (16 A for DALI applications)
Strip length	9 mm / 0.35 inch



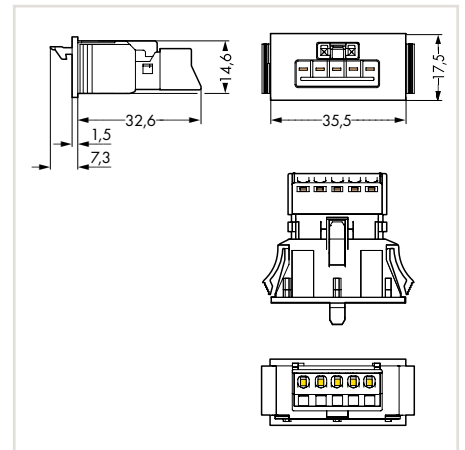
Dimensions (in mm):



Dimensions (in mm):



Dimensions (in mm):



Socket		
Color	Item No.	Pack. Unit
● black	890-705	50
○ white	890-725	50
● blue	890-2105	50

Plugs		
Color	Item No.	Pack. Unit
● black	890-715	50
○ white	890-735	50
● blue	890-2115	50

Socket, without locking lever, for lighting installation with intermediate coupler		
Color	Item No.	Pack. Unit
● black	890-705/006-000	50
○ white	890-725/006-000	50
● blue	890-2105/006-000	50

Plug, without locking lever, for lighting installation with intermediate coupler		
Color	Item No.	Pack. Unit
● black	890-715/006-000	50
○ white	890-735/006-000	50
● blue	890-2115/006-000	50

Coding	Marking	Color
A	N ⊕ 1 2 3	● black
A	N ⊕ 1 2 3	○ white
I	N ⊕ L + -	● blue

# WINSTA® MINI

## Pluggable PCB Connectors, 5-Pole

### 890 Series

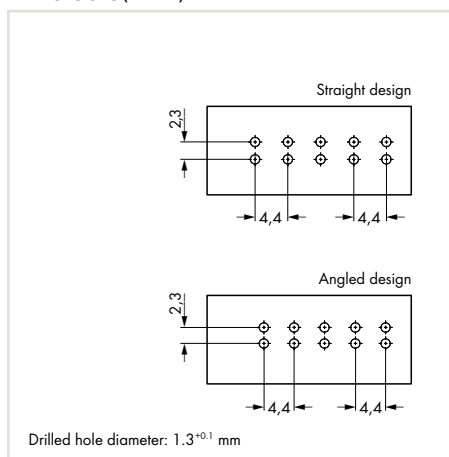
1

Rated voltage
Rated current

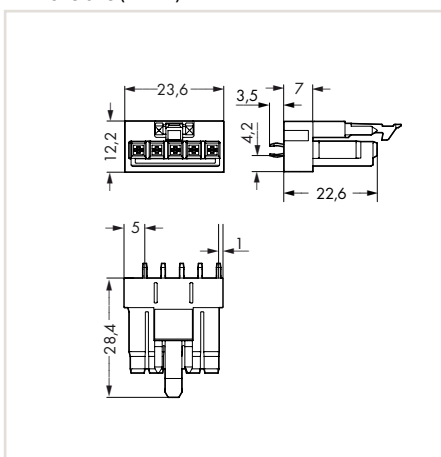
250 V
13 A (16 A for DALI applications)



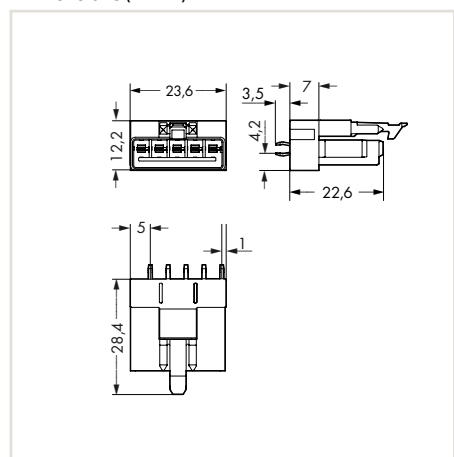
Dimensions (in mm):



Dimensions (in mm):



Dimensions (in mm):



Socket, straight		
Color	Item No.	Pack. Unit
● black	890-805	100
○ white	890-825	100
● blue	890-3105	100

Plug, straight		
Color	Item No.	Pack. Unit
● black	890-815	100
○ white	890-835	100
● blue	890-3115	100

**Note:**

All connectors for fixed installations (snap-in versions for lighting fixtures or devices, all types of PCB and distribution connectors) are factory-equipped with locking levers to ensure plugs and sockets are securely locked. Additional locking levers are only required for "flying leads" (plug/socket).

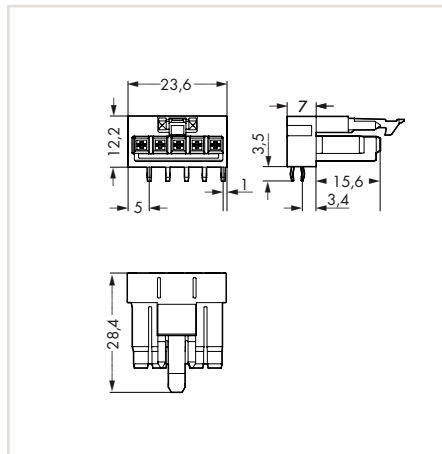
- 890 Series Accessories, see page 352
- Approvals, see www.wago.com
- Coding overview, see page 372

Coding	Marking	Color
A	N ⊕ 1 2 3	● black
A	N ⊕ 1 2 3	○ white
I	N ⊕ L + -	● blue

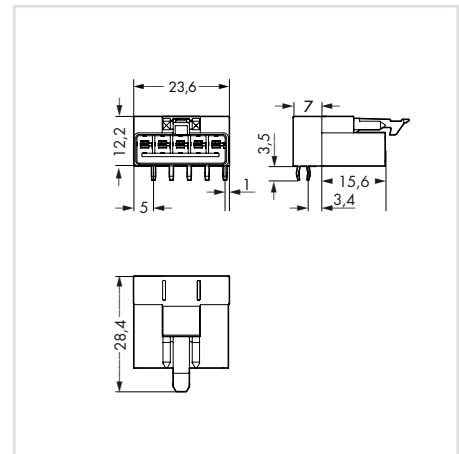
Rated voltage	250 V
Rated current	13 A (16 A for DALI applications)



Dimensions (in mm):



Dimensions (in mm):



Socket, angled		
Color	Item No.	Pack. Unit
● black	890-805/011-000	100
○ white	890-825/011-000	100
● blue	890-3105/011-000	100

Plug, angled		
Color	Item No.	Pack. Unit
● black	890-815/011-000	100
○ white	890-835/011-000	100
● blue	890-3115/011-000	100

Coding	Marking	Color
A	N ⊕ 1 2 3	● black
A	N ⊕ 1 2 3	○ white
I	N ⊕ L + -	● blue

# WINSTA® MINI

## Distribution Connectors, 5-Pole

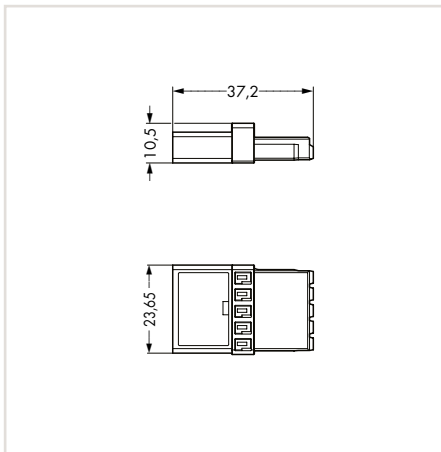
### 890 Series

1

Rated voltage	400 V
Rated current	13 A (16 A for DALI applications)



Dimensions (in mm):



Intermediate coupler ,  
1 x plug/1 x socket

Color	Item No.	Pack. Unit
● black	890-605	50
○ white	890-655	50
● blue	890-619	50

**Note**

At least one snap-in connector **without** a locking lever is required on one side when connecting two lights directly via intermediate coupler (see page 51).

890 Series Accessories, see page 352

Approvals, see www.wago.com

Coding overview, see page 372

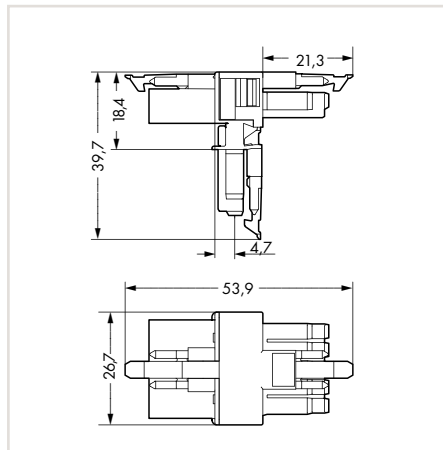
Coding	Marking	Color
A	-	● black
A	-	○ white
I	-	● blue

Rated voltage
Rated current

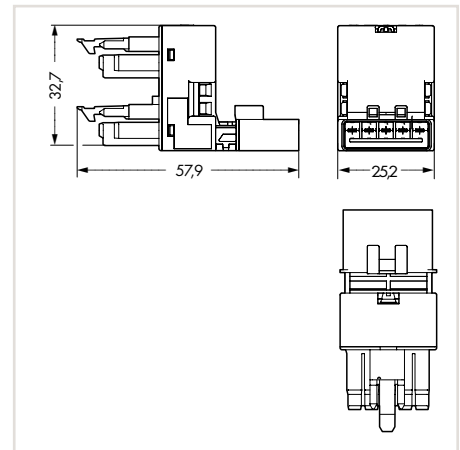
400 V
13 A (16 A for DALI applications)



Dimensions (in mm):



Dimensions (in mm):



T-distribution connector, 1 x plug/2 x socket		
Color	Item No.	Pack. Unit
● black	890-621	50
○ white	890-671	50
● blue	890-617	50

h-distribution connector, unidirectional, plug/socket – socket		
Color	Item No.	Pack. Unit
● black	890-929	50
○ white	890-979	50
● blue	890-982	50

T-distribution connector, 1 x plug/2 x socket, for "flying leads," with 3rd locking lever		
Color	Item No.	Pack. Unit
● black	890-622	50
○ white	890-672	50
● blue	890-620	50

h-distribution connector, unidirectional, plug/socket – socket, for "flying leads," with 3rd locking lever		
Color	Item No.	Pack. Unit
● black	890-930	50
○ white	890-980	50
● blue	890-983	50

Coding	Marking	Color
A	N ⊕ 1 2 3	● black
A	N ⊕ 1 2 3	○ white
I	N ⊕ L + -	● blue

# WINSTA® MINI

## Cable Assemblies 5 x 1.5 mm<sup>2</sup>, PVC

### 891 Series

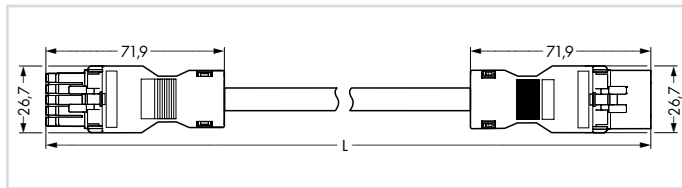
1

PVC	H05VV-F 5G1.5
-----	---------------

Rated voltage	400 V
Rated current	13 A
Strip length	9 mm / 0.35 inch
Conductor preparation	tip-bonded



Dimensions (in mm):

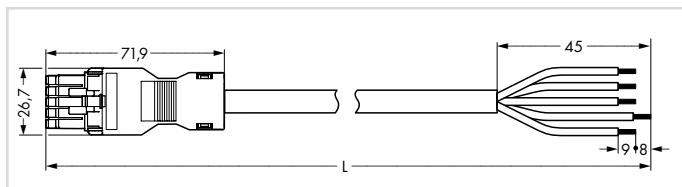


Interconnecting cable, socket – plug, PVC, A-coding

Length	● black	○ white	Pack. Unit
1 m	891-8995/006-101	891-8995/006-102	1
2 m	891-8995/006-201	891-8995/006-202	1
3 m	891-8995/006-301	891-8995/006-302	1
4 m	891-8995/006-401	891-8995/006-402	1
5 m	891-8995/006-501	891-8995/006-502	1
6 m	891-8995/006-601	891-8995/006-602	1
7 m	891-8995/006-701	891-8995/006-702	1
8 m	891-8995/006-801	891-8995/006-802	1



Dimensions (in mm):

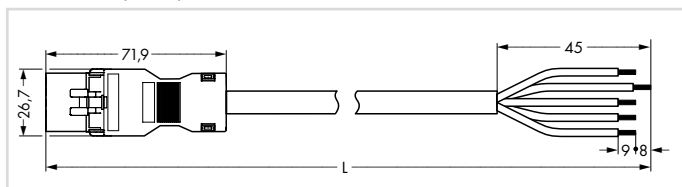


Connecting cable, socket – free end, PVC, A-coding

Length	● black	○ white	Pack. Unit
1 m	891-8995/106-101	891-8995/106-102	1
2 m	891-8995/106-201	891-8995/106-202	1
3 m	891-8995/106-301	891-8995/106-302	1
4 m	891-8995/106-401	891-8995/106-402	1
5 m	891-8995/106-501	891-8995/106-502	1
6 m	891-8995/106-601	891-8995/106-602	1
7 m	891-8995/106-701	891-8995/106-702	1
8 m	891-8995/106-801	891-8995/106-802	1



Dimensions (in mm):



Connecting cable, plug – free end, PVC, A-coding

Length	● black	○ white	Pack. Unit
1 m	891-8995/206-101	891-8995/206-102	1
2 m	891-8995/206-201	891-8995/206-202	1
3 m	891-8995/206-301	891-8995/206-302	1
4 m	891-8995/206-401	891-8995/206-402	1
5 m	891-8995/206-501	891-8995/206-502	1
6 m	891-8995/206-601	891-8995/206-602	1
7 m	891-8995/206-701	891-8995/206-702	1
8 m	891-8995/206-801	891-8995/206-802	1

Additional cable lengths available upon request.

891 Series Accessories, see page 352

Approvals, see www.wago.com

Coding overview, see page 372

Coding	Marking	Color
A	N Ⓢ 1 2 3	● black
A	N Ⓢ 1 2 3	○ white



# WINSTA® MINI

## Cable Assemblies 5 x 1.5 mm<sup>2</sup>, Halogen-Free

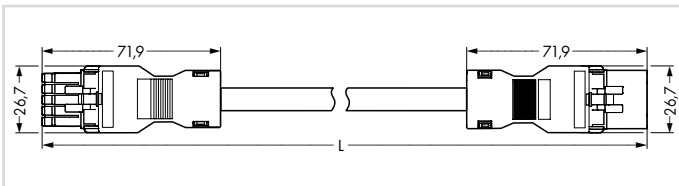
### 891 Series

halogen-free	H05Z1Z1-F 5G1.5
--------------	-----------------

Rated voltage	400 V
Rated current	13 A
Strip length	9 mm / 0.35 inch
Conductor preparation	tip-bonded



Dimensions (in mm):

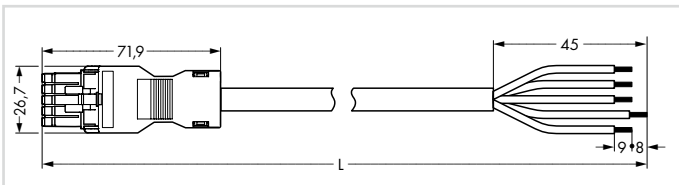


Interconnecting cable, socket – plug, halogen-free, A-coding

Length	● black	○ white	Pack. Unit
1 m	891-8995/016-101	891-8995/016-102	1
2 m	891-8995/016-201	891-8995/016-202	1
3 m	891-8995/016-301	891-8995/016-302	1
4 m	891-8995/016-401	891-8995/016-402	1
5 m	891-8995/016-501	891-8995/016-502	1
6 m	891-8995/016-601	891-8995/016-602	1
7 m	891-8995/016-701	891-8995/016-702	1
8 m	891-8995/016-801	891-8995/016-802	1



Dimensions (in mm):

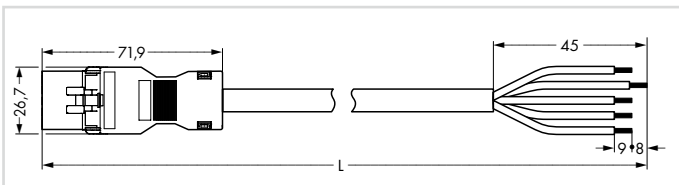


Connecting cable, socket – free end, halogen-free, A-coding

Length	● black	○ white	Pack. Unit
1 m	891-8995/116-101	891-8995/116-102	1
2 m	891-8995/116-201	891-8995/116-202	1
3 m	891-8995/116-301	891-8995/116-302	1
4 m	891-8995/116-401	891-8995/116-402	1
5 m	891-8995/116-501	891-8995/116-502	1
6 m	891-8995/116-601	891-8995/116-602	1
7 m	891-8995/116-701	891-8995/116-702	1
8 m	891-8995/116-801	891-8995/116-802	1



Dimensions (in mm):



Connecting cable, plug – free end, halogen-free, A-coding

Length	● black	○ white	Pack. Unit
1 m	891-8995/216-101	891-8995/216-102	1
2 m	891-8995/216-201	891-8995/216-202	1
3 m	891-8995/216-301	891-8995/216-302	1
4 m	891-8995/216-401	891-8995/216-402	1
5 m	891-8995/216-501	891-8995/216-502	1
6 m	891-8995/216-601	891-8995/216-602	1
7 m	891-8995/216-701	891-8995/216-702	1
8 m	891-8995/216-801	891-8995/216-802	1

Coding	Marking	Color
A	N ⊕ 1 2 3	● black
A	N ⊕ 1 2 3	○ white

# WINSTA® MINI

## Cable Assemblies 5 x 1.5 mm<sup>2</sup>, PVC

### 891 Series

1

PVC	H05VV-F 5G1.5
-----	---------------

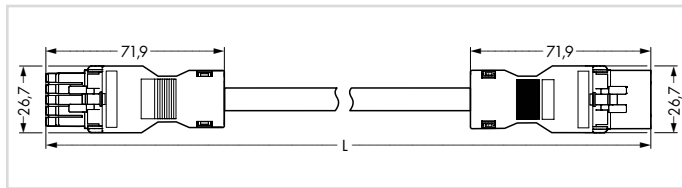
Rated voltage	400 V
Rated current	16 A
Strip length	9 mm / 0.35 inch
Conductor preparation	tip-bonded



Interconnecting cable, socket – plug, for dimming functions (e.g., DALI), PVC, I-coding

Length	● black	○ white	Pack. Unit
1 m	891-8985/006-101	891-8985/006-102	1
2 m	891-8985/006-201	891-8985/006-202	1
3 m	891-8985/006-301	891-8985/006-302	1
4 m	891-8985/006-401	891-8985/006-402	1
5 m	891-8985/006-501	891-8985/006-502	1
6 m	891-8985/006-601	891-8985/006-602	1
7 m	891-8985/006-701	891-8985/006-702	1
8 m	891-8985/006-801	891-8985/006-802	1

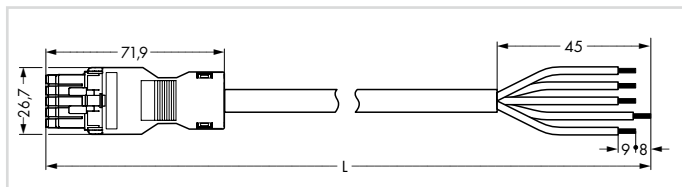
Dimensions (in mm):



Connecting cable, socket – free end, for dimming functions (e.g., DALI), PVC, I-coding

Length	● black	○ white	Pack. Unit
1 m	891-8985/106-101	891-8985/106-102	1
2 m	891-8985/106-201	891-8985/106-202	1
3 m	891-8985/106-301	891-8985/106-302	1
4 m	891-8985/106-401	891-8985/106-402	1
5 m	891-8985/106-501	891-8985/106-502	1
6 m	891-8985/106-601	891-8985/106-602	1
7 m	891-8985/106-701	891-8985/106-702	1
8 m	891-8985/106-801	891-8985/106-802	1

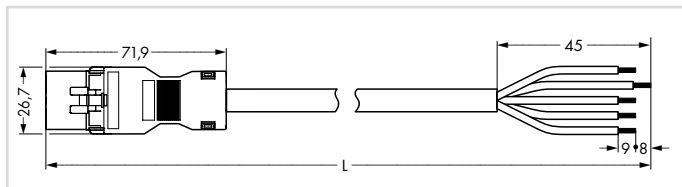
Dimensions (in mm):



Connecting cable, plug – free end, for dimming functions (e.g., DALI), PVC, I-coding

Length	● black	○ white	Pack. Unit
1 m	891-8985/206-101	891-8985/206-102	1
2 m	891-8985/206-201	891-8985/206-202	1
3 m	891-8985/206-301	891-8985/206-302	1
4 m	891-8985/206-401	891-8985/206-402	1
5 m	891-8985/206-501	891-8985/206-502	1
6 m	891-8985/206-601	891-8985/206-602	1
7 m	891-8985/206-701	891-8985/206-702	1
8 m	891-8985/206-801	891-8985/206-802	1

Dimensions (in mm):



Additional cable lengths available upon request.

- 891 Series Accessories, see page 352
- Approvals, see www.wago.com
- Coding overview, see page 372

Coding	Marking	Color
I	N ⊕ L + -	● blue

# WINSTA® MINI

## Cable Assemblies 5 x 1.5 mm<sup>2</sup>, Halogen-Free

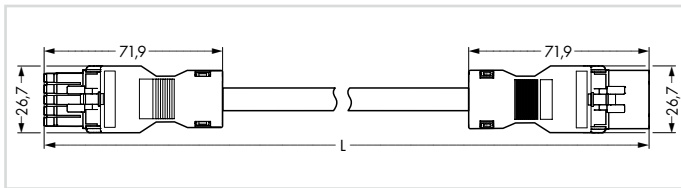
### 891 Series

halogen-free	H05Z1Z1-F 5G1.5
--------------	-----------------

Rated voltage	400 V
Rated current	16 A
Strip length	9 mm / 0.35 inch
Conductor preparation	tip-bonded



Dimensions (in mm):

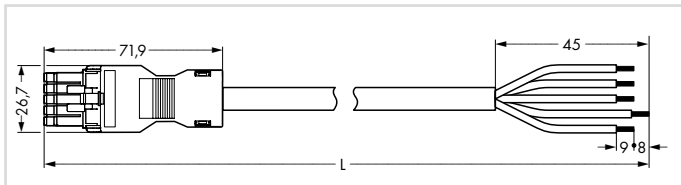


Interconnecting cable, socket – plug, for dimming functions (e.g., DALI), halogen-free, I-coding

Length	● black	○ white	Pack. Unit
1 m	891-8985/016-101	891-8985/016-102	1
2 m	891-8985/016-201	891-8985/016-202	1
3 m	891-8985/016-301	891-8985/016-302	1
4 m	891-8985/016-401	891-8985/016-402	1
5 m	891-8985/016-501	891-8985/016-502	1
6 m	891-8985/016-601	891-8985/016-602	1
7 m	891-8985/016-701	891-8985/016-702	1
8 m	891-8985/016-801	891-8985/016-802	1



Dimensions (in mm):

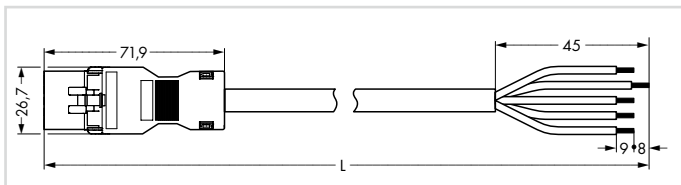


Connecting cable, socket – free end, for dimming functions (e.g., DALI), halogen-free, I-coding

Length	● black	○ white	Pack. Unit
1 m	891-8985/116-101	891-8985/116-102	1
2 m	891-8985/116-201	891-8985/116-202	1
3 m	891-8985/116-301	891-8985/116-302	1
4 m	891-8985/116-401	891-8985/116-402	1
5 m	891-8985/116-501	891-8985/116-502	1
6 m	891-8985/116-601	891-8985/116-602	1
7 m	891-8985/116-701	891-8985/116-702	1
8 m	891-8985/116-801	891-8985/116-802	1



Dimensions (in mm):



Connecting cable, plug – free end, for dimming functions (e.g., DALI), halogen-free, I-coding

Length	● black	○ white	Pack. Unit
1 m	891-8985/216-101	891-8985/216-102	1
2 m	891-8985/216-201	891-8985/216-202	1
3 m	891-8985/216-301	891-8985/216-302	1
4 m	891-8985/216-401	891-8985/216-402	1
5 m	891-8985/216-501	891-8985/216-502	1
6 m	891-8985/216-601	891-8985/216-602	1
7 m	891-8985/216-701	891-8985/216-702	1
8 m	891-8985/216-801	891-8985/216-802	1

Coding	Marking	Color
I	N ⊕ L + -	● blue



## WINSTA<sup>®</sup> MINI special

### Important note:







B-Coded components from the WINSTA<sup>®</sup> MINI special series are designed for specialty applications (e.g., measurement, control and regulation technology) and certified per DIN EN 61984. In addition to the gray models rated from 110 to 400 V, there is now also a variant in light green for low voltages up to 48 V, as well as a pink one for bus applications. Each of the three versions is available in 2-, 3- or 4- and 5-pole configurations. Pole marking can be printed at the factory to suit customer requirements. B-coded products are protected against mismatching with all other coding types found in the WINSTA<sup>®</sup> system. Within B-coding, all special variants can mate with each other. Special variants can be clearly differentiated according to color and pole marking.

## WINSTA® MINI special

### 1.5 mm<sup>2</sup> / 16 A

### 890 / 891 Series

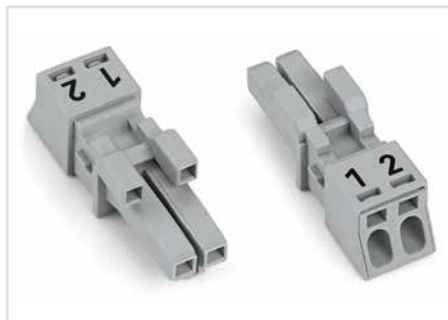
- Note**
- Installation connectors are designed for connection and disconnection while not under load.
  - There is no hazard-inducing interchangeability with systems based on IEC 60309, IEC 60320, IEC 60906 and with national connector and socket systems.
  - Compliance with the standards does not guarantee hazard-preventing, non-interchangeability with installation connector systems from various manufacturers.
  - Installation connector systems are not a substitute for residential connector/socket systems.

	Page	
	<b>Pluggable Connectors, 890 Series</b>	
	2-pole	65
	3-pole	74
	4-pole	84
	5-pole	94
	<b>Strain Relief Housings, 890 Series</b>	
	2-pole	66
	3-pole	75
	4-pole	85
	5-pole	95
	<b>Snap-In Device Connectors, 890 Series</b>	
	2-pole	67
	3-pole	76
	4-pole	86
	5-pole	96
	<b>Pluggable PCB Connectors, 890 Series</b>	
	2-pole	68
	3-pole	78
	4-pole	88
	5-pole	98
	<b>Distribution Connectors, 890 Series</b>	
	2-pole	70
	3-pole	80
	4-pole	90
	<b>Cable Assemblies, 891 Series</b>	
	2-pole	72
	3-pole	82
	4-pole	92
	5-pole	100

## WINSTA® MINI special

### Technical Data, 2- to 5-Pole

#### 890 / 891 Series



2

#### Connection Data

Connection technology	Push-in CAGE CLAMP®
Solid conductor	0.25 ... 1.5 mm <sup>2</sup> / 22 ... 16 AWG
Solid conductor, push-in termination	0.75 ... 1.5 mm <sup>2</sup> / 20 ... 16 AWG
Stranded conductor	0.25 ... 1 mm <sup>2</sup> / 22 ... 18 AWG
Fine-stranded conductor	0.25 ... 1.5 mm <sup>2</sup> / 22 ... 16 AWG
Fine-stranded conductor with uninsulated ferrule	0.25 ... 0.75 mm <sup>2</sup> / 22 ... 20 AWG
Fine-stranded conductor with insulated ferrule	0.25 ... 0.75 mm <sup>2</sup> / 22 ... 20 AWG
Strip length	9 mm / 0.35 inch (see also packaging or instructions)

#### Electrical Data


Ratings per*	IEC/EN 60664-1
Rated voltage (III / 3)	
2-pole	250 V
3-pole	250 V
4-pole	400 V (250 V for PCB terminal blocks)
5-pole	400 V (250 V for PCB terminal blocks)
Rated surge voltage (III / 3)	
2-pole	4 kV
3-pole	4 kV
4-pole	6 kV (4 kV for PCB terminal blocks)
5-pole	6 kV (4 kV for PCB terminal blocks)
Rated current	
2-pole	16 A
3-pole	16 A 13 A for 3-pole load
4-pole	16 A 13 A for 3-pole load 10 A for 4-pole load
5-pole	16 A 13 A for 3-pole load 10 A for 4- and 5-pole load
Approvals per	UL 1977 (factory wiring only)
Rated voltage (UL)	600 V
Rated current (UL)	
2-pole / 3-pole	14 A
4-pole / 5-pole	12 A


Application note for the U.S. market (USR):  
Some versions may also be used for current interruption in accordance with the UL certificate in select applications with currents below 5 A and voltages up to 600 V.  
For further information, please contact your local sales office.

Clearances and creepage distances	≥ 5.5 mm with strain relief ≥ 6.5 mm to exposed surfaces (Protection Category II)
Contact resistance	approx. 1 mΩ contact resistance approx. 0.25 mΩ contact transition socket / plug
Number of potentials	
2-pole	2
3-pole	3
4-pole	4
5-pole	5
Number of connection points	
2-pole	2
3-pole	3
4-pole	4
5-pole	5

\* (III / 3) ≙ Overvoltage category III /  
Pollution degree 3

 890/891 Series Accessories,  
see page 352

 Approvals,  
see [www.wago.com](http://www.wago.com)

 Codings,  
see page 372

**Mechanical Data**

Mating cycles	200, without resistive load 100, with resistive load $I_N = 16 \text{ A}$ (1.5 mm <sup>2</sup> )
Mating forces	20 N
Unmating forces	20 N (unlocked)
Retention forces	> 80 N (locked)
Cable diameter	
2-pole	0.5 ... 0.9 mm
3-pole	4.5 ... 10 mm
4-pole	6.5 ... 10.5 mm Ø
5-pole	6.5 ... 10.5 mm Ø
Protection type	IP2xC (with strain relief housing) Note: These compact connectors are not designed for use in open, easily accessible areas.
Processing temperature	-5 ... +40 °C
Continuous operating temperature	-35 ... ≤ +85 °C PVC cable ≤ +70 °C (incl. halogen-free) Insulating parts ≤ +105 °C

**Locking Levers**

All connectors for mounted installations (snap-in versions for lighting fixtures or devices, all types of PCB and distribution connectors) are factory-equipped with locking levers to ensure plugs and sockets are securely locked. Additional locking levers are only required for "flying leads" (plug/socket).

**Material Data**

Insulating parts	Polyamide (PA 66), halogen-free
Contacts	Copper or copper alloy, surface-treated
Clamping spring	Stainless steel (Cr-Ni)
Flammability class (per UL 94)	V0

**Standards/Approvals**

- UL (Depending on end-product standard, it may be necessary to use UL-approved cables with an appropriate AWG. These cables are available upon request.)
- CCA certificate
- IEC 61984
- LR
- GL
- DNV

## WINSTA® MINI special

### Description and Installation

#### 890 / 891 Series

2



Gray, B-coded connector with "2 1" marking, e.g., control signal (A circuit)



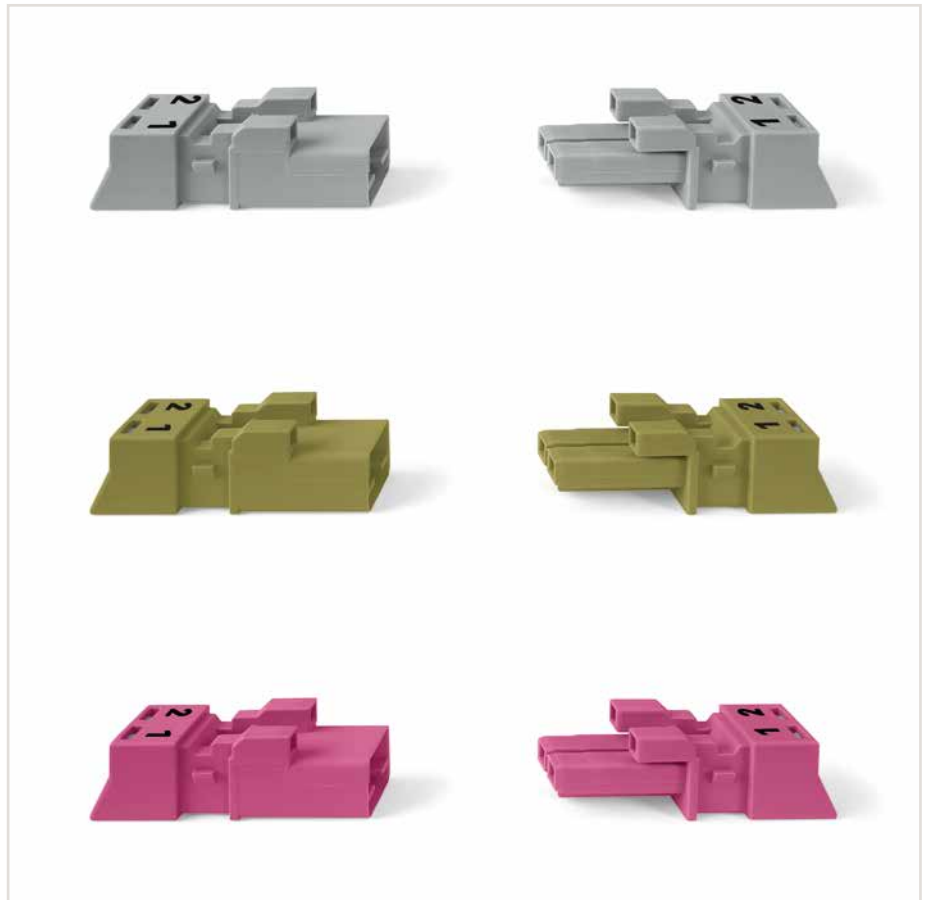
Easy circuit identification via different marking and colors



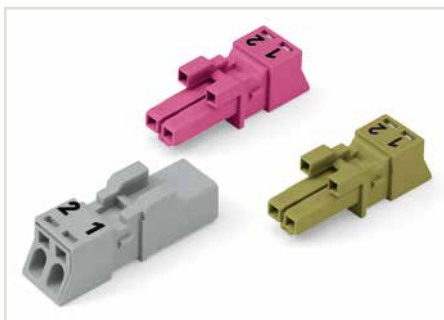
B-coded connectors (shown in gray) not only differ in color, but also in their design, making them incompatible with other coded connectors.



Light green, B-coded connector with "- +" marking; e.g., DC power supply (24 V circuit)



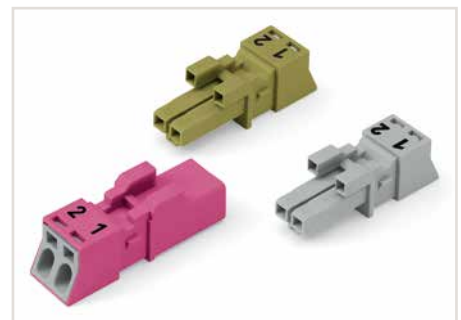
Pink, B-coded connector with "2 1" marking, e.g., control signal (B circuit)



B-coded connectors with different colors can be plugged together.



**Important note:**  
Different colors and/or pole markings are used for circuit identification.  
Only connectors of the same color and same pole marking must be plugged together.

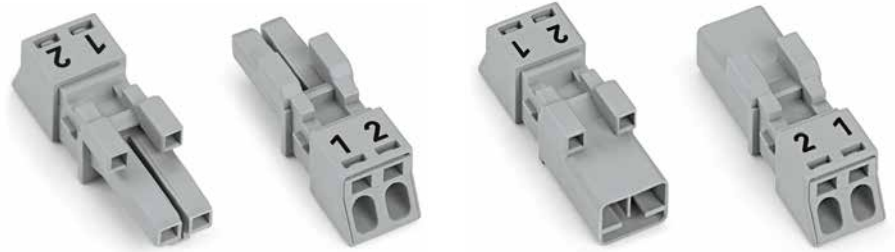


Installation notes for conductor connection, shield termination, operating tools and mounting aids for WINSTA® MINI special pluggable connectors are on page 10.

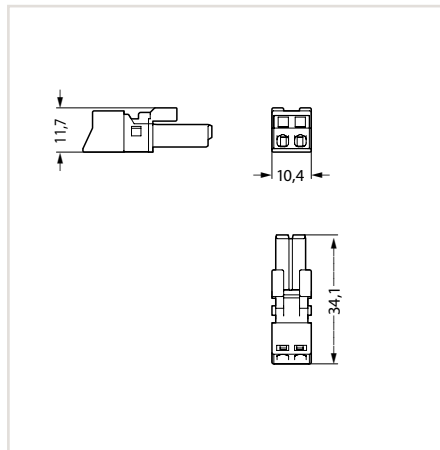


## WINSTA® MINI special Sockets and Plugs, 2-Pole 890 Series

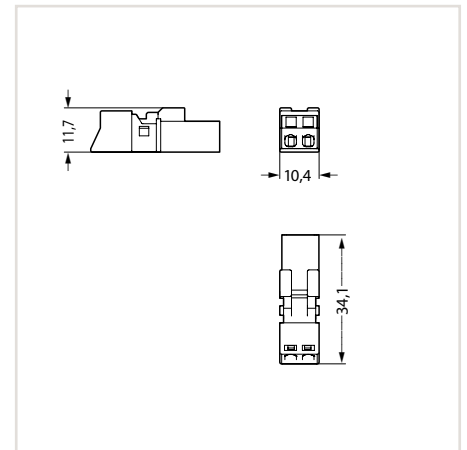
Conductor range, solid and fine-stranded	0.25 ... 1.5 mm <sup>2</sup> / 22 ... 16 AWG
Conductor range, stranded	0.25 ... 1 mm <sup>2</sup> / 22 ... 18 AWG
Rated voltage	250 V
Rated current	16 A
Strip length	9 mm / 0.35 inch



Dimensions (in mm):



Dimensions (in mm):



### Socket, without strain relief housing

Color	Item No.	Pack. Unit
gray	890-242	50
gray	890-242/060-000	50
light green	890-262	50
pink	890-282	50
pink	890-282/080-000	50
pink	890-282/082-000	50

### Plug, without strain relief housing

Color	Item No.	Pack. Unit
gray	890-252	50
gray	890-252/060-000	50
light green	890-272	50
pink	890-292	50
pink	890-292/080-000	50
pink	890-292/082-000	50

Additional pole markings available upon request.

#### Note:

All connectors for fixed installations (snap-in versions for lighting fixtures or devices, all types of PCB and distribution connectors) are factory-equipped with locking levers to ensure plugs and sockets are securely locked. Additional locking levers are only required for "flying leads" (plug/socket).

890 Series Accessories,  
see page 352

Approvals,  
see www.wago.com

Coding overview,  
see page 374

Coding	Marking	Suffix No.	Color
B	1 2		gray
B	L N	/060-000	gray
B	1 2		light green
B	1 2		pink
B	1+ 1-	/080-000	pink
B	+ -	/082-000	pink

# WINSTA® MINI special

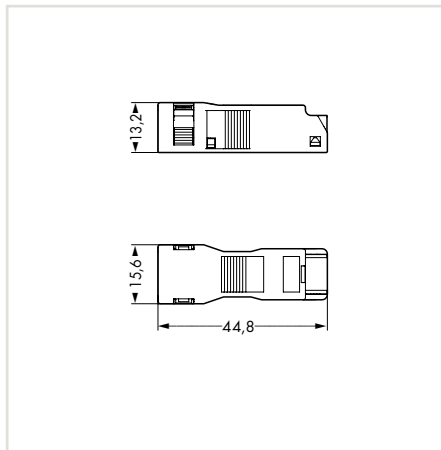
## Strain Relief Housings, 2-Pole

### 890 Series

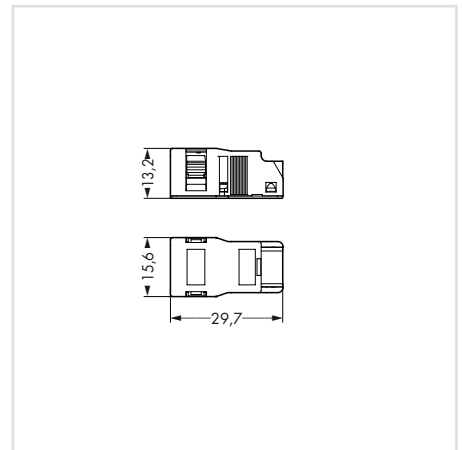
2



Dimensions (in mm):



Dimensions (in mm):



Strain relief housing,  
for 3.8 ... 8.2 mm cable diameter,  
30 mm strip length

Color	Item No.	Pack. Unit
black	890-502	50
white	890-512	50

Strain relief housing, short,  
for 3.8 ... 8.2 mm cable diameter,  
17.5 mm strip length

Color	Item No.	Pack. Unit
black	890-502/342-000	50
white	890-512/342-000	50

Additional pole markings available upon request.

**Note:**

All connectors for fixed installations (snap-in versions for lighting fixtures or devices, all types of PCB and distribution connectors) are factory-equipped with locking levers to ensure plugs and sockets are securely locked. Additional locking levers are only required for "flying leads" (plug/socket).

890 Series Accessories, see page 352

Approvals, see www.wago.com

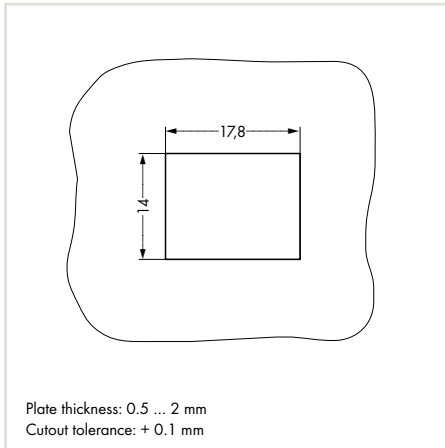
Coding overview, see page 374

## WINSTA® MINI special Snap-In Sockets and Plugs, 2-Pole 890 Series

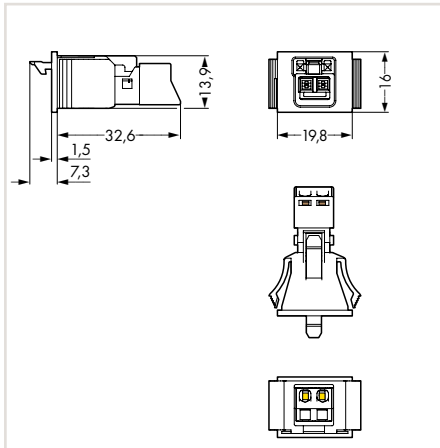
Conductor range, solid and fine-stranded	0.25 ... 1.5 mm <sup>2</sup> / 22 ... 16 AWG
Conductor range, stranded	0.25 ... 1 mm <sup>2</sup> / 22 ... 18 AWG
Rated voltage	250 V
Rated current	16 A
Strip length	9 mm / 0.35 inch



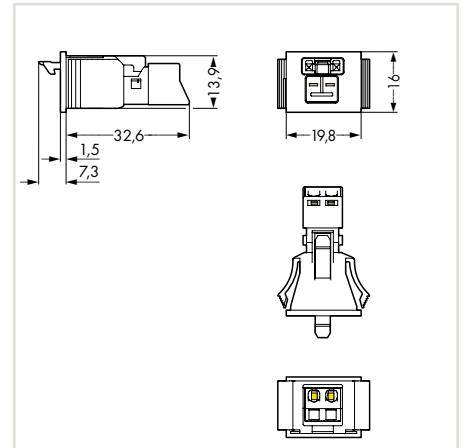
Dimensions (in mm):



Dimensions (in mm):



Dimensions (in mm):



Socket		
Color	Item No.	Pack. Unit
gray	890-742	50
gray	890-742/060-000	50
light green	890-762	50
pink	890-782	50
pink	890-782/080-000	50
pink	890-782/082-000	50

Plugs		
Color	Item No.	Pack. Unit
gray	890-752	50
gray	890-752/060-000	50
light green	890-772	50
pink	890-792	50
pink	890-792/080-000	50
pink	890-792/082-000	50

Coding	Marking	Suffix No.	Color
B	1 2		gray
B	L N	/060-000	gray
B	1 2		light green
B	1 2		pink
B	1+ 1-	/080-000	pink
B	+ -	/082-000	pink

# WINSTA® MINI special

## Pluggable PCB Connectors, 2-Pole

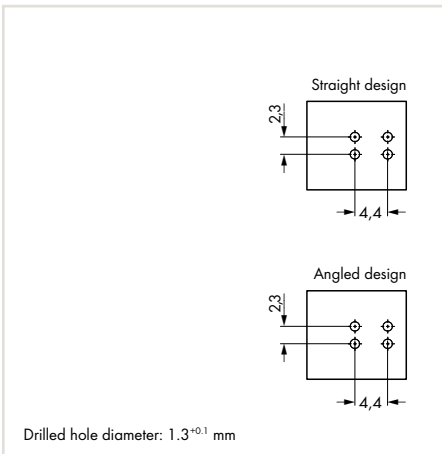
### 890 Series

Rated voltage	250 V
Rated current	16 A

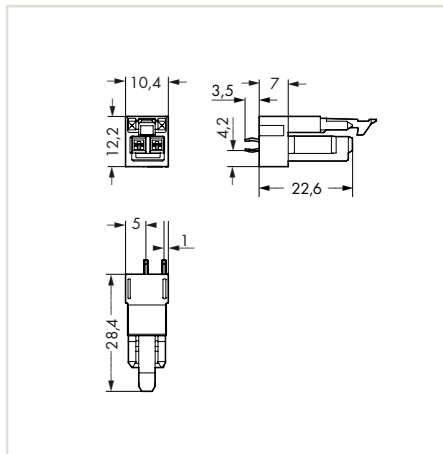
2



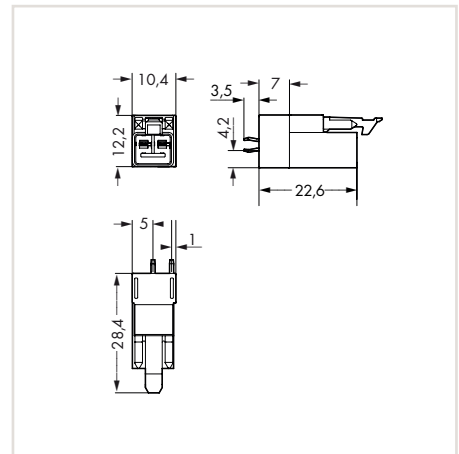
Dimensions (in mm):



Dimensions (in mm):



Dimensions (in mm):



Socket, straight		
Color	Item No.	Pack. Unit
gray	890-842	100
light green	890-862	100
pink	890-882	100

Plug, straight		
Color	Item No.	Pack. Unit
gray	890-852	100
light green	890-872	100
pink	890-892	100

Additional pole markings available upon request.

**Note:**

All connectors for fixed installations (snap-in versions for lighting fixtures or devices, all types of PCB and distribution connectors) are factory-equipped with locking levers to ensure plugs and sockets are securely locked. Additional locking levers are only required for "flying leads" (plug/socket).

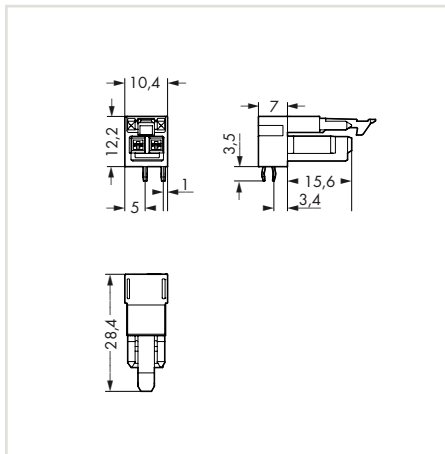
- 890 Series Accessories, see page 352
- Approvals, see www.wago.com
- Coding overview, see page 374

Coding	Marking	Color
B	1 2	gray
B	1 2	light green
B	1 2	pink

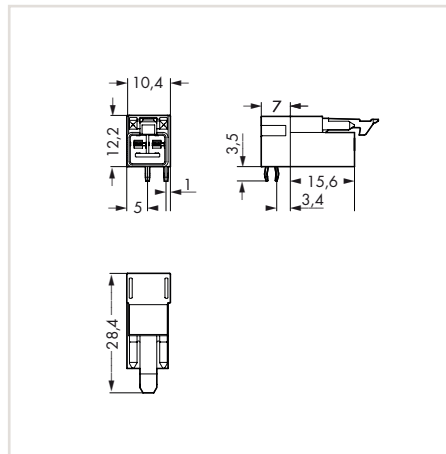
Rated voltage	250 V
Rated current	16 A



Dimensions (in mm):



Dimensions (in mm):



Socket, angled		
Color	Item No.	Pack. Unit
● gray	890-842/011-000	100
● light green	890-862/011-000	100
● pink	890-882/011-000	100

Plug, angled		
Color	Item No.	Pack. Unit
● gray	890-852/011-000	100
● light green	890-872/011-000	100
● pink	890-892/011-000	100

Coding	Marking	Color
B	1 2	● gray
B	1 2	● light green
B	1 2	● pink

## WINSTA® MINI special

### Distribution Connectors, 2-Pole

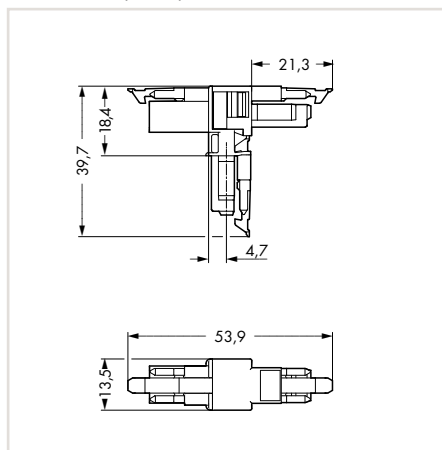
### 890 Series

Rated voltage	250 V
Rated current	16 A

2



Dimensions (in mm):



T-distribution connector,  
1 x plug/2 x socket

Color	Item No.	Pack. Unit
gray	890-1601	25
light green	890-1602	25
pink	890-1603	25

T-distribution connector,  
1 x plug/2 x socket,  
for "flying leads,"  
with 3rd locking lever

Color	Item No.	Pack. Unit
gray	890-1701	25
light green	890-1702	25
pink	890-1703	25

Additional pole markings available upon request.

890 Series Accessories,  
see page 352

Approvals,  
see [www.wago.com](http://www.wago.com)

Coding overview,  
see page 374

Coding	Marking	Color
B	1 2	gray
B	1 2	light green
B	1 2	pink



# WINSTA® MINI special

## Cable Assemblies 2 x 1 mm<sup>2</sup>, PVC

### 891 Series

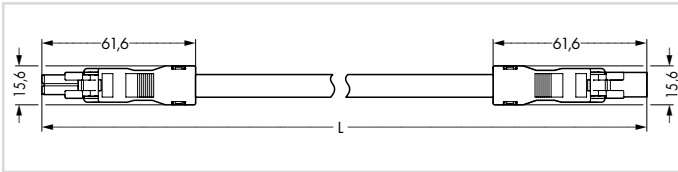
PVC Control line: 2 x 1, gray

Rated voltage	250 V
Rated current	10 A
Strip length	9 mm / 0.35 inch
Conductor preparation	tip-bonded

2



Dimensions (in mm):

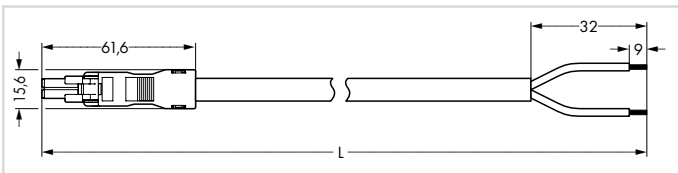


#### Interconnecting cable, socket – plug, PVC, B-coding

Length	○ gray	● light green	● pink	Pack. Unit
1 m	891-8992/005-103	891-8992/005-105	891-8992/005-107	1
2 m	891-8992/005-203	891-8992/005-205	891-8992/005-207	1
3 m	891-8992/005-303	891-8992/005-305	891-8992/005-307	1
4 m	891-8992/005-403	891-8992/005-405	891-8992/005-407	1
5 m	891-8992/005-503	891-8992/005-505	891-8992/005-507	1
6 m	891-8992/005-603	891-8992/005-605	891-8992/005-607	1
7 m	891-8992/005-703	891-8992/005-705	891-8992/005-707	1
8 m	891-8992/005-803	891-8992/005-805	891-8992/005-807	1



Dimensions (in mm):

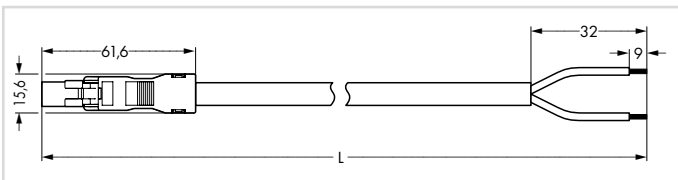


#### Connecting cable, socket – free end, PVC, B-coding

Length	○ gray	● light green	● pink	Pack. Unit
1 m	891-8992/105-103	891-8992/105-105	891-8992/105-107	1
2 m	891-8992/105-203	891-8992/105-205	891-8992/105-207	1
3 m	891-8992/105-303	891-8992/105-305	891-8992/105-307	1
4 m	891-8992/105-403	891-8992/105-405	891-8992/105-407	1
5 m	891-8992/105-503	891-8992/105-505	891-8992/105-507	1
6 m	891-8992/105-603	891-8992/105-605	891-8992/105-607	1
7 m	891-8992/105-703	891-8992/105-705	891-8992/105-707	1
8 m	891-8992/105-803	891-8992/105-805	891-8992/105-807	1



Dimensions (in mm):



#### Connecting cable, plug – free end, PVC, B-coding

Length	○ gray	● light green	● pink	Pack. Unit
1 m	891-8992/205-103	891-8992/205-105	891-8992/205-107	1
2 m	891-8992/205-203	891-8992/205-205	891-8992/205-207	1
3 m	891-8992/205-303	891-8992/205-305	891-8992/205-307	1
4 m	891-8992/205-403	891-8992/205-405	891-8992/205-407	1
5 m	891-8992/205-503	891-8992/205-505	891-8992/205-507	1
6 m	891-8992/205-603	891-8992/205-605	891-8992/205-607	1
7 m	891-8992/205-703	891-8992/205-705	891-8992/205-707	1
8 m	891-8992/205-803	891-8992/205-805	891-8992/205-807	1

Additional cable lengths and pole markings are available upon request.

891 Series Accessories, see page 352

Approvals, see www.wago.com

Coding overview, see page 374

Coding

B

B

B

Marking

1 2

1 2

1 2

Color

○ gray

● light green

● pink



# WINSTA® MINI special

## Cable Assemblies 2 x 1.5 mm<sup>2</sup>, PVC

### 891 Series

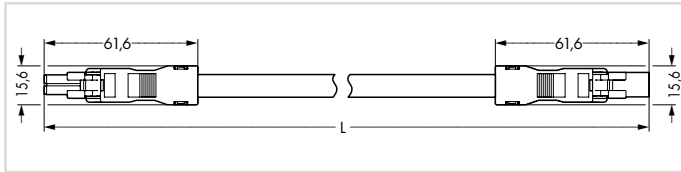
PVC

Control line: 2 x 1.5, gray

Rated voltage	250 V
Rated current	16 A
Strip length	9 mm / 0.35 inch
Conductor preparation	tip-bonded



Dimensions (in mm):



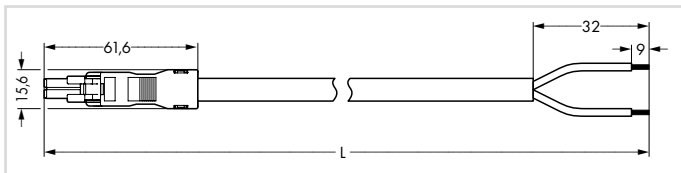
Interconnecting cable, socket – plug, PVC, B-coding

Length	○ gray	● light green	● pink	Pack. Unit
1 m	891-8992/006-103	891-8992/006-105	891-8992/006-107	1
2 m	891-8992/006-203	891-8992/006-205	891-8992/006-207	1
3 m	891-8992/006-303	891-8992/006-305	891-8992/006-307	1
4 m	891-8992/006-403	891-8992/006-405	891-8992/006-407	1
5 m	891-8992/006-503	891-8992/006-505	891-8992/006-507	1
6 m	891-8992/006-603	891-8992/006-605	891-8992/006-607	1
7 m	891-8992/006-703	891-8992/006-705	891-8992/006-707	1
8 m	891-8992/006-803	891-8992/006-805	891-8992/006-807	1

2



Dimensions (in mm):

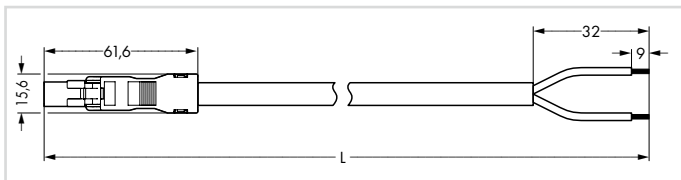


Connecting cable, socket – free end, PVC, B-coding

Length	○ gray	● light green	● pink	Pack. Unit
1 m	891-8992/106-103	891-8992/106-105	891-8992/106-107	1
2 m	891-8992/106-203	891-8992/106-205	891-8992/106-207	1
3 m	891-8992/106-303	891-8992/106-305	891-8992/106-307	1
4 m	891-8992/106-403	891-8992/106-405	891-8992/106-407	1
5 m	891-8992/106-503	891-8992/106-505	891-8992/106-507	1
6 m	891-8992/106-603	891-8992/106-605	891-8992/106-607	1
7 m	891-8992/106-703	891-8992/106-705	891-8992/106-707	1
8 m	891-8992/106-803	891-8992/106-805	891-8992/106-807	1



Dimensions (in mm):



Connecting cable, plug – free end, PVC, B-coding

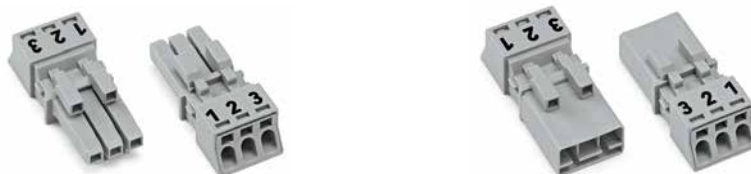
Length	○ gray	● light green	● pink	Pack. Unit
1 m	891-8992/206-103	891-8992/206-105	891-8992/206-107	1
2 m	891-8992/206-203	891-8992/206-205	891-8992/206-207	1
3 m	891-8992/206-303	891-8992/206-305	891-8992/206-307	1
4 m	891-8992/206-403	891-8992/206-405	891-8992/206-407	1
5 m	891-8992/206-503	891-8992/206-505	891-8992/206-507	1
6 m	891-8992/206-603	891-8992/206-605	891-8992/206-607	1
7 m	891-8992/206-703	891-8992/206-705	891-8992/206-707	1
8 m	891-8992/206-803	891-8992/206-805	891-8992/206-807	1

Coding	Marking	Color
B	1 2	○ gray
B	1 2	● light green
B	1 2	● pink

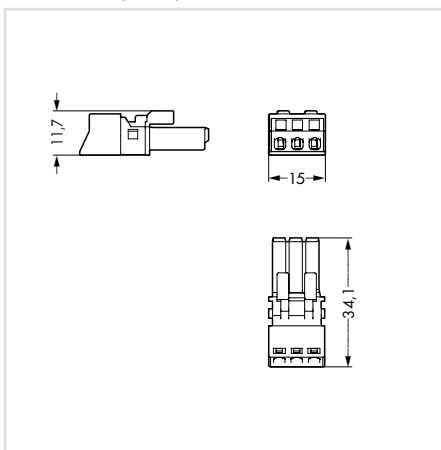
# WINSTA® MINI special Sockets and Plugs, 3-Pole 890 Series

2

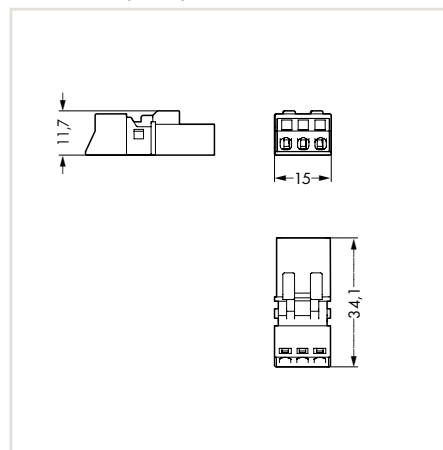
Conductor range, solid and fine-stranded	0.25 ... 1.5 mm <sup>2</sup> / 22 ... 16 AWG
Conductor range, stranded	0.25 ... 1 mm <sup>2</sup> / 22 ... 18 AWG
Rated voltage	250 V
Rated current	16 A (restrictions, see page 62)
Strip length	9 mm / 0.35 inch



Dimensions (in mm):



Dimensions (in mm):



Socket, without strain relief housing		
Color	Item No.	Pack. Unit
○ gray	890-243	50
○ gray	890-243/060-000	50
○ gray	890-243/062-000	50
● light green	890-263	50
● light green	890-263/071-000	50
● light green	890-263/073-000	50
● pink	890-283	50
● pink	890-283/081-000	50
● pink	890-283/082-000	50

Plug, without strain relief housing		
Color	Item No.	Pack. Unit
○ gray	890-253	50
○ gray	890-253/060-000	50
○ gray	890-253/062-000	50
● light green	890-273	50
● light green	890-273/071-000	50
● light green	890-273/073-000	50
● pink	890-293	50
● pink	890-293/081-000	50
● pink	890-293/082-000	50

Additional pole markings available upon request.

**Note:**

All connectors for fixed installations (snap-in versions for lighting fixtures or devices, all types of PCB and distribution connectors) are factory-equipped with locking levers to ensure plugs and sockets are securely locked. Additional locking levers are only required for "flying leads" (plug/socket).

890 Series Accessories, see page 352

Approvals, see www.wago.com

Coding overview, see page 374

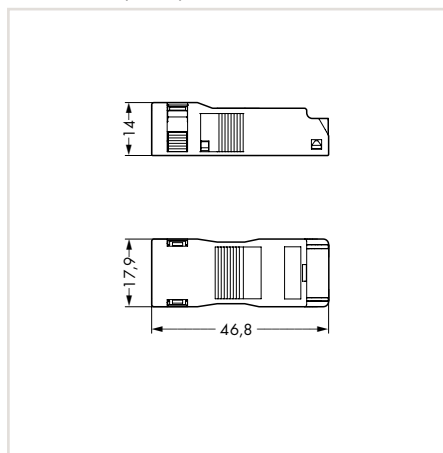
Coding	Marking	Suffix No.	Color
B	1 2 3		○ gray
B	L ⊕ N	/060-000	○ gray
B	2 PE 1	/062-000	○ gray
B	1 2 3		● light green
B	U+ X/Y U-	/071-000	● light green
B	1 ⊕ 2	/073-000	● light green
B	1 2 3		● pink
B	1 2 5	/081-000	● pink
B	+ S -	/082-000	● pink

## WINSTA® MINI special Strain Relief Housings, 3-Pole 890 Series

2



Dimensions (in mm):



Strain relief housing,  
for 4.5 ... 10 mm cable diameter,  
37 mm strip length

Color	Item No.	Pack. Unit
black	890-503	50
white	890-513	50

# WINSTA® MINI special

## Snap-In Sockets and Plugs, 3-Pole

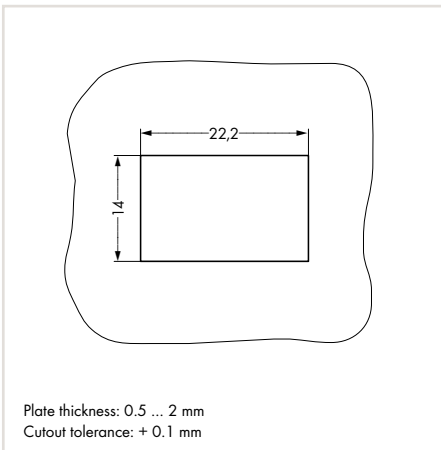
### 890 Series

2

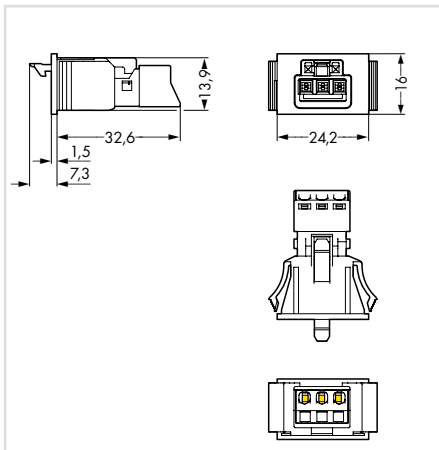
Conductor range, solid and fine-stranded	0.25 ... 1.5 mm <sup>2</sup> / 22 ... 16 AWG
Conductor range, stranded	0.25 ... 1 mm <sup>2</sup> / 22 ... 18 AWG
Rated voltage	250 V
Rated current	16 A (restrictions, see page 62)
Strip length	9 mm / 0.35 inch



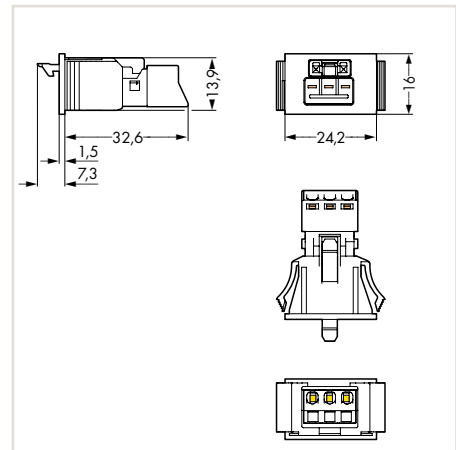
Dimensions (in mm):



Dimensions (in mm):



Dimensions (in mm):



Socket		
Color	Item No.	Pack. Unit
gray	890-743	50
gray	890-743/060-000	50
gray	890-743/062-000	50
light green	890-763	50
light green	890-763/071-000	50
light green	890-763/073-000	50
pink	890-783	50
pink	890-783/081-000	50
pink	890-783/082-000	50

Plugs		
Color	Item No.	Pack. Unit
gray	890-753	50
gray	890-753/060-000	50
gray	890-753/062-000	50
light green	890-773	50
light green	890-773/071-000	50
light green	890-773/073-000	50
pink	890-793	50
pink	890-793/081-000	50
pink	890-793/082-000	50

Additional pole markings available upon request.

**Note:**

All connectors for fixed installations (snap-in versions for lighting fixtures or devices, all types of PCB and distribution connectors) are factory-equipped with locking levers to ensure plugs and sockets are securely locked. Additional locking levers are only required for "flying leads" (plug/socket).

890 Series Accessories, see page 352

Approvals, see www.wago.com

Coding overview, see page 374

Coding	Marking	Suffix No.	Color
B	1 2 3		gray
B	L ⊕ N	/060-000	gray
B	2 PE 1	/062-000	gray
B	1 2 3		light green
B	U+ X/Y U-	/071-000	light green
B	1 ⊕ 2	/073-000	light green
B	1 2 3		pink
B	1 2 5	/081-000	pink
B	+ S -	/082-000	pink



# WINSTA® MINI special

## Pluggable PCB Connectors, 3-Pole

### 890 Series

Rated voltage

250 V

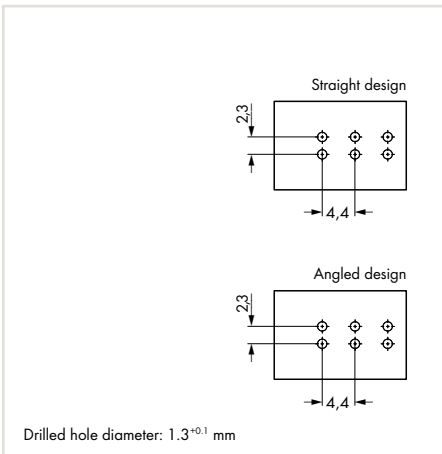
Rated current

16 A (restrictions, see page 62)

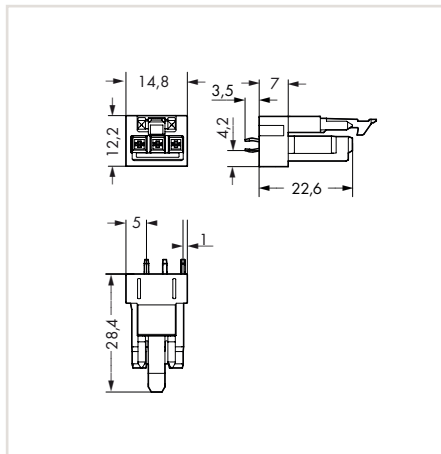
2



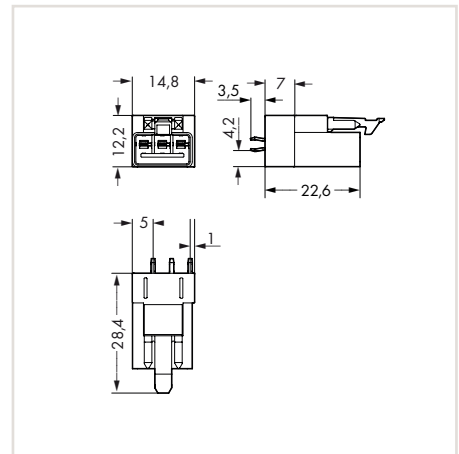
Dimensions (in mm):



Dimensions (in mm):



Dimensions (in mm):



#### Socket, straight

Color	Item No.	Pack. Unit
gray	890-843	100
light green	890-863	100
pink	890-883	100

#### Plug, straight

Color	Item No.	Pack. Unit
gray	890-853	100
light green	890-873	100
pink	890-893	100

Additional pole markings available upon request.

**Note:**

All connectors for fixed installations (snap-in versions for lighting fixtures or devices, all types of PCB and distribution connectors) are factory-equipped with locking levers to ensure plugs and sockets are securely locked. Additional locking levers are only required for "flying leads" (plug/socket).

890 Series Accessories, see page 352

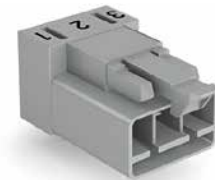
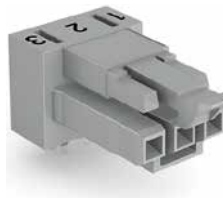
Approvals, see www.wago.com

Coding overview, see page 374

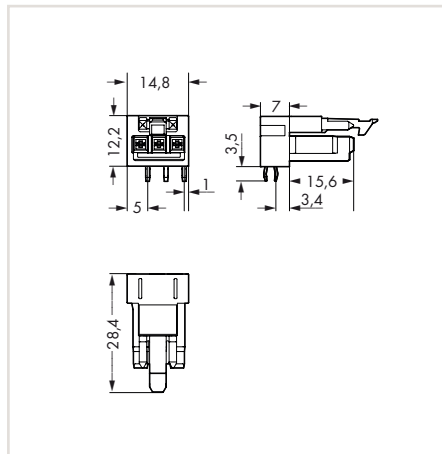
Coding	Marking	Color
B	1 2 3	gray
B	1 2 3	light green
B	1 2 3	pink

Rated voltage
Rated current

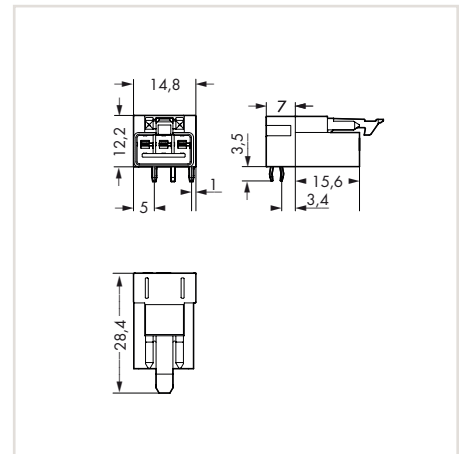
250 V
16 A (restrictions, see page 62)



Dimensions (in mm):



Dimensions (in mm):



Socket, angled		
Color	Item No.	Pack. Unit
● gray	890-843/011-000	100
● light green	890-863/011-000	100
● pink	890-883/011-000	100

Plug, angled		
Color	Item No.	Pack. Unit
● gray	890-853/011-000	100
● light green	890-873/011-000	100
● pink	890-893/011-000	100

Coding	Marking	Color
B	1 2 3	● gray
B	1 2 3	● light green
B	1 2 3	● pink

# WINSTA® MINI special

## Distribution Connectors, 3-Pole

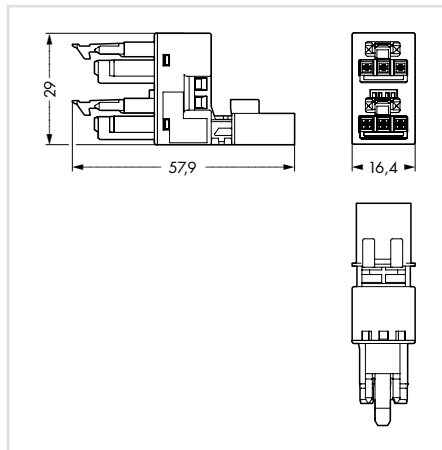
### 890 Series

Rated voltage	250 V
Rated current	16 A (restrictions, see page 62)

2






Dimensions (in mm):



h-distribution connector, unidirectional, plug/socket – socket		
Color	Item No.	Pack. Unit
gray	890-1661	50
light green	890-1662	50
pink	890-1663	50

h-distribution connector, unidirectional, plug/socket – socket, for "flying leads," with 3rd locking lever		
Color	Item No.	Pack. Unit
gray	890-1761	50
light green	890-1762	50
pink	890-1763	50

Additional pole markings available upon request.

-  890 Series Accessories, see page 352
-  Approvals, see www.wago.com
-  Coding overview, see page 374

Coding	Marking	Color
B	1 2 3	gray
B	1 2 3	light green
B	1 2 3	pink





# WINSTA® MINI special

## Cable Assemblies 3 x 1 mm<sup>2</sup>, PVC

### 891 Series

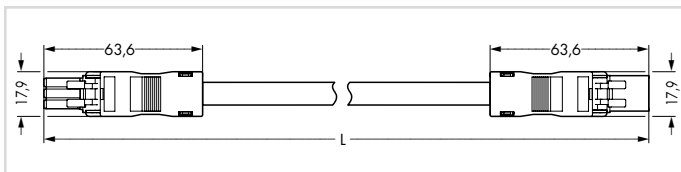
PVC Control line: 3 x 1, gray

Rated voltage	250 V
Rated current	10 A
Strip length	9 mm / 0.35 inch
Conductor preparation	tip-bonded

2



Dimensions (in mm):

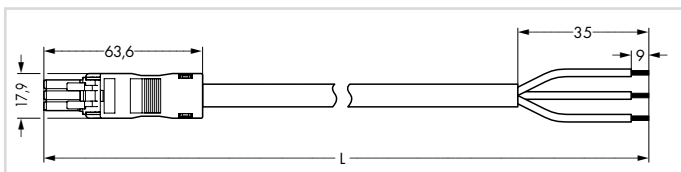


Interconnecting cable, socket – plug, PVC, B-coding

Length	○ gray	● light green	● pink	Pack. Unit
1 m	891-8993/005-103	891-8993/005-105	891-8993/005-107	1
2 m	891-8993/005-203	891-8993/005-205	891-8993/005-207	1
3 m	891-8993/005-303	891-8993/005-305	891-8993/005-307	1
4 m	891-8993/005-403	891-8993/005-405	891-8993/005-407	1
5 m	891-8993/005-503	891-8993/005-505	891-8993/005-507	1
6 m	891-8993/005-603	891-8993/005-605	891-8993/005-607	1
7 m	891-8993/005-703	891-8993/005-705	891-8993/005-707	1
8 m	891-8993/005-803	891-8993/005-805	891-8993/005-807	1



Dimensions (in mm):

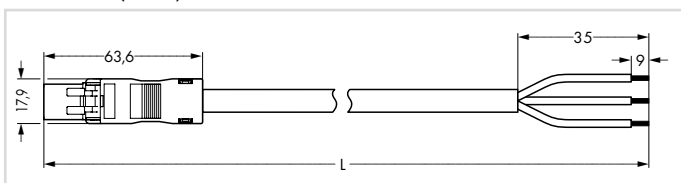


Connecting cable, socket – free end, PVC, B-coding

Length	○ gray	● light green	● pink	Pack. Unit
1 m	891-8993/105-103	891-8993/105-105	891-8993/105-107	1
2 m	891-8993/105-203	891-8993/105-205	891-8993/105-207	1
3 m	891-8993/105-303	891-8993/105-305	891-8993/105-307	1
4 m	891-8993/105-403	891-8993/105-405	891-8993/105-407	1
5 m	891-8993/105-503	891-8993/105-505	891-8993/105-507	1
6 m	891-8993/105-603	891-8993/105-605	891-8993/105-607	1
7 m	891-8993/105-703	891-8993/105-705	891-8993/105-707	1
8 m	891-8993/105-803	891-8993/105-805	891-8993/105-807	1



Dimensions (in mm):



Connecting cable, plug – free end, PVC, B-coding

Length	○ gray	● light green	● pink	Pack. Unit
1 m	891-8993/205-103	891-8993/205-105	891-8993/205-107	1
2 m	891-8993/205-203	891-8993/205-205	891-8993/205-207	1
3 m	891-8993/205-303	891-8993/205-305	891-8993/205-307	1
4 m	891-8993/205-403	891-8993/205-405	891-8993/205-407	1
5 m	891-8993/205-503	891-8993/205-505	891-8993/205-507	1
6 m	891-8993/205-603	891-8993/205-605	891-8993/205-607	1
7 m	891-8993/205-703	891-8993/205-705	891-8993/205-707	1
8 m	891-8993/205-803	891-8993/205-805	891-8993/205-807	1

Additional cable lengths and pole markings are available upon request.

891 Series Accessories, see page 352

Approvals, see www.wago.com

Coding overview, see page 374

Coding	Marking	Color
B	1 2 3	○ gray
B	1 2 3	● light green
B	1 2 3	● pink

# WINSTA® MINI special

## Cable Assemblies 3 x 1.5 mm<sup>2</sup>, PVC

### 891 Series

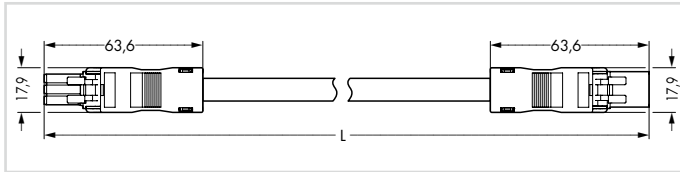
PVC

Control line: 3 x 1.5, gray

Rated voltage	250 V
Rated current	16 A (restrictions, see page 62)
Strip length	9 mm / 0.35 inch
Conductor preparation	tip-bonded



Dimensions (in mm):

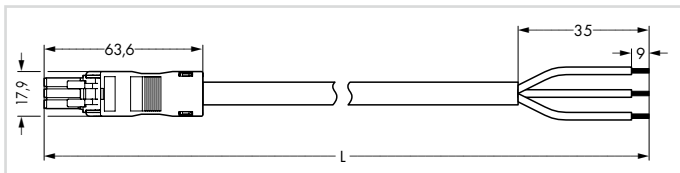


Interconnecting cable, socket – plug, PVC, B-coding

Length	○ gray	● light green	● pink	Pack. Unit
1 m	891-8993/006-103	891-8993/006-105	891-8993/006-107	1
2 m	891-8993/006-203	891-8993/006-205	891-8993/006-207	1
3 m	891-8993/006-303	891-8993/006-305	891-8993/006-307	1
4 m	891-8993/006-403	891-8993/006-405	891-8993/006-407	1
5 m	891-8993/006-503	891-8993/006-505	891-8993/006-507	1
6 m	891-8993/006-603	891-8993/006-605	891-8993/006-607	1
7 m	891-8993/006-703	891-8993/006-705	891-8993/006-707	1
8 m	891-8993/006-803	891-8993/006-805	891-8993/006-807	1



Dimensions (in mm):

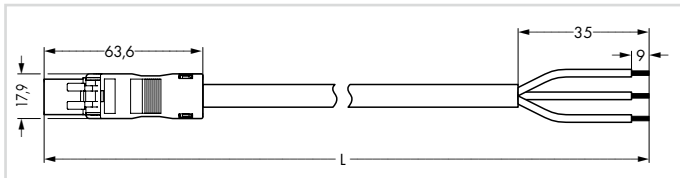


Connecting cable, socket – free end, PVC, B-coding

Length	○ gray	● light green	● pink	Pack. Unit
1 m	891-8993/106-103	891-8993/106-105	891-8993/106-107	1
2 m	891-8993/106-203	891-8993/106-205	891-8993/106-207	1
3 m	891-8993/106-303	891-8993/106-305	891-8993/106-307	1
4 m	891-8993/106-403	891-8993/106-405	891-8993/106-407	1
5 m	891-8993/106-503	891-8993/106-505	891-8993/106-507	1
6 m	891-8993/106-603	891-8993/106-605	891-8993/106-607	1
7 m	891-8993/106-703	891-8993/106-705	891-8993/106-707	1
8 m	891-8993/106-803	891-8993/106-805	891-8993/106-807	1



Dimensions (in mm):



Connecting cable, plug – free end, PVC, B-coding

Length	○ gray	● light green	● pink	Pack. Unit
1 m	891-8993/206-103	891-8993/206-105	891-8993/206-107	1
2 m	891-8993/206-203	891-8993/206-205	891-8993/206-207	1
3 m	891-8993/206-303	891-8993/206-305	891-8993/206-307	1
4 m	891-8993/206-403	891-8993/206-405	891-8993/206-407	1
5 m	891-8993/206-503	891-8993/206-505	891-8993/206-507	1
6 m	891-8993/206-603	891-8993/206-605	891-8993/206-607	1
7 m	891-8993/206-703	891-8993/206-705	891-8993/206-707	1
8 m	891-8993/206-803	891-8993/206-805	891-8993/206-807	1

Coding	Marking	Color
B	1 2 3	○ gray
B	1 2 3	● light green
B	1 2 3	● pink

# WINSTA® MINI special

## Sockets and Plugs, 4-Pole

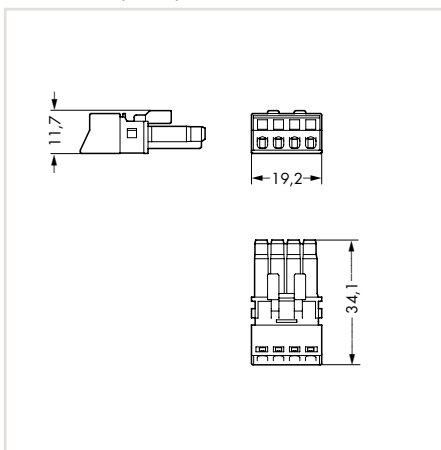
### 890 Series

2

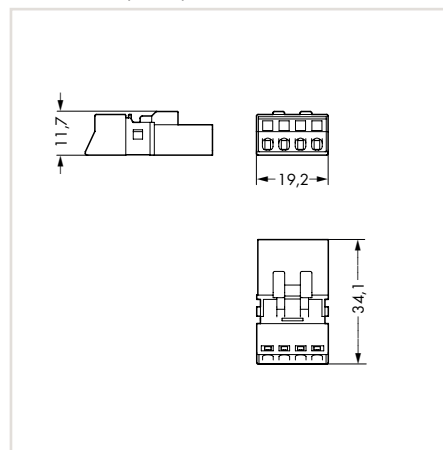
Conductor range, solid and fine-stranded	0.25 ... 1.5 mm² / 22 ... 16 AWG
Conductor range, stranded	0.25 ... 1 mm² / 22 ... 18 AWG
Rated voltage	400 V
Rated current	16 A (restrictions, see page 62)
Strip length	9 mm / 0.35 inch



Dimensions (in mm):



Dimensions (in mm):



Socket, without strain relief housing		
Color	Item No.	Pack. Unit
○ gray	890-244	50
○ gray	890-244/060-000	50
○ gray	890-244/062-000	50
○ gray	890-244/064-000	50
● light green	890-264	50
● light green	890-264/071-000	50
● light green	890-264/072-000	50
● light green	890-264/073-000	50
● pink	890-284	50
● pink	890-284/081-000	50

Plug, without strain relief housing		
Color	Item No.	Pack. Unit
○ gray	890-254	50
○ gray	890-254/060-000	50
○ gray	890-254/062-000	50
○ gray	890-254/064-000	50
● light green	890-274	50
● light green	890-274/071-000	50
● light green	890-274/072-000	50
● light green	890-274/073-000	50
● pink	890-294	50
● pink	890-294/081-000	50

Additional pole markings available upon request.

**Note:**

All connectors for fixed installations (snap-in versions for lighting fixtures or devices, all types of PCB and distribution connectors) are factory-equipped with locking levers to ensure plugs and sockets are securely locked. Additional locking levers are only required for "flying leads" (plug/socket).

890 Series Accessories, see page 352

Approvals, see www.wago.com

Coding overview, see page 374

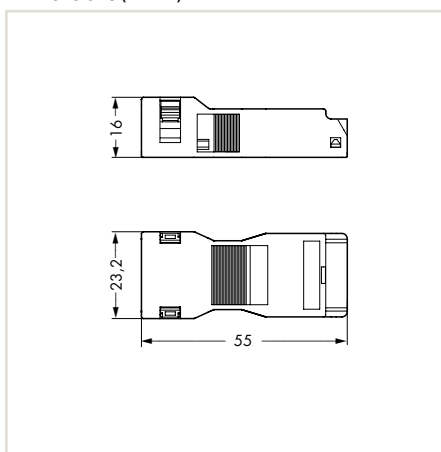
Coding	Marking	Suffix No.	Color
B	1 2 3 4		○ gray
B	N ⊕ 2L 1L	/060-000	○ gray
B	3 PE 2 1	/062-000	○ gray
B	2L ⊕ 1L L	/064-000	○ gray
B	1 2 3 4		● light green
B	U- S U+ X/Y	/071-000	● light green
B	U- U+ DI AI	/072-000	● light green
B	1 ⊕ 2 3	/073-000	● light green
B	1 2 3 4		● pink
B	1 2 5 3	/081-000	● pink

## WINSTA® MINI special Strain Relief Housings, 4-Pole 890 Series

2



Dimensions (in mm):



Strain relief housing,  
for 6.5 ... 10.5 mm cable diameter,  
45 mm strip length

Color	Item No.	Pack. Unit
black	890-504	50
white	890-514	50

# WINSTA® MINI special

## Snap-In Sockets and Plugs, 4-Pole

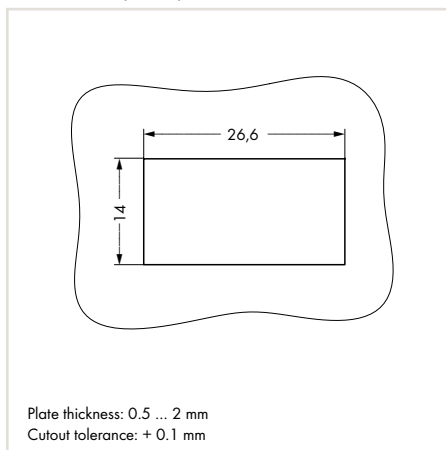
### 890 Series

2

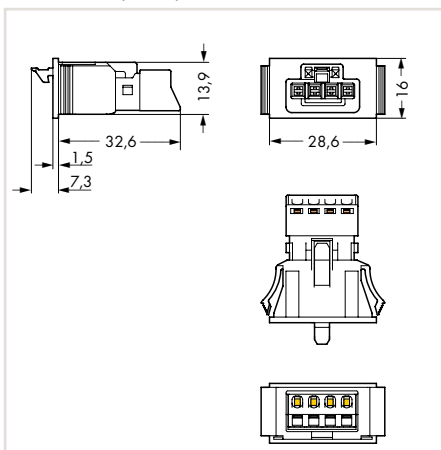
Conductor range, solid and fine-stranded	0.25 ... 1.5 mm <sup>2</sup> / 22 ... 16 AWG
Conductor range, stranded	0.25 ... 1 mm <sup>2</sup> / 22 ... 18 AWG
Rated voltage	400 V
Rated current	16 A (restrictions, see page 62)
Strip length	9 mm / 0.35 inch



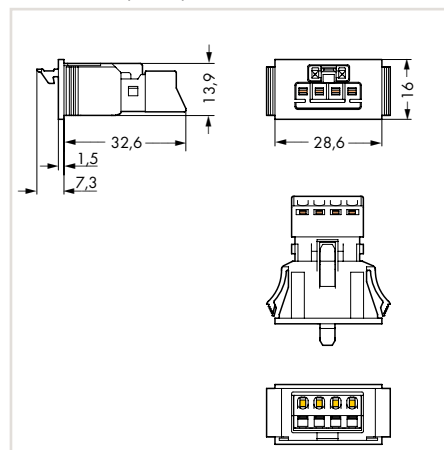
Dimensions (in mm):



Dimensions (in mm):



Dimensions (in mm):



Socket		
Color	Item No.	Pack. Unit
gray	890-744	50
gray	890-744/060-000	50
gray	890-744/062-000	50
gray	890-744/064-000	50
light green	890-764	50
light green	890-764/071-000	50
light green	890-764/072-000	50
light green	890-764/073-000	50
pink	890-784	50
pink	890-784/081-000	50

Plugs		
Color	Item No.	Pack. Unit
gray	890-754	50
gray	890-754/060-000	50
gray	890-754/063-000	50
gray	890-754/064-000	50
light green	890-774	50
light green	890-774/071-000	50
light green	890-774/072-000	50
light green	890-774/073-000	50
pink	890-794	50
pink	890-794/081-000	50

Additional pole markings available upon request.

**Note:**

All connectors for fixed installations (snap-in versions for lighting fixtures or devices, all types of PCB and distribution connectors) are factory-equipped with locking levers to ensure plugs and sockets are securely locked. Additional locking levers are only required for "flying leads" (plug/socket).

890 Series Accessories, see page 352

Approvals, see www.wago.com

Coding overview, see page 374

Coding	Marking	Suffix No.	Color
B	1 2 3 4		gray
B	N ⊕ 2L 1L	/060-000	gray
B	3 PE 2 1	/062-000	gray
B	2L ⊕ 1L L	/064-000	gray
B	1 2 3 4		light green
B	U- S U+ X/Y	/071-000	light green
B	U- U+ DI AI	/072-000	light green
B	1 ⊕ 2 3	/073-000	light green
B	1 2 3 4		pink
B	1 2 5 3	/081-000	pink



# WINSTA® MINI special

## Pluggable PCB Connectors, 4-Pole

### 890 Series

Rated voltage

250 V

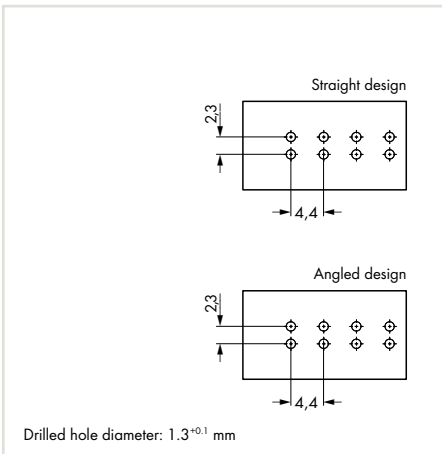
Rated current

16 A (restrictions, see page 62)

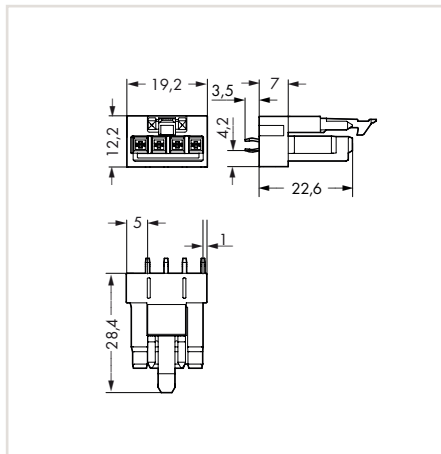
2



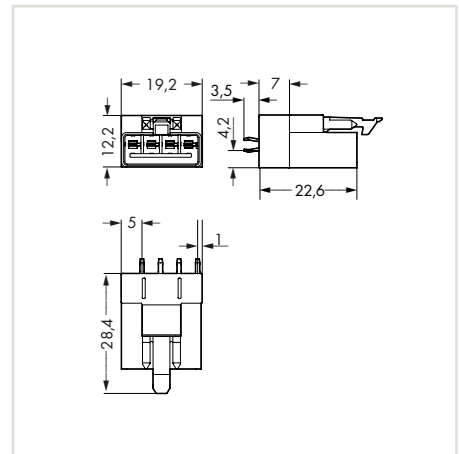
Dimensions (in mm):



Dimensions (in mm):



Dimensions (in mm):



#### Socket, straight

Color	Item No.	Pack. Unit
gray	890-844	100
light green	890-864	100
pink	890-884	100

#### Plug, straight

Color	Item No.	Pack. Unit
gray	890-854	100
light green	890-874	100
pink	890-894	100

Additional pole markings available upon request.

**Note:**

All connectors for fixed installations (snap-in versions for lighting fixtures or devices, all types of PCB and distribution connectors) are factory-equipped with locking levers to ensure plugs and sockets are securely locked. Additional locking levers are only required for "flying leads" (plug/socket).

890 Series Accessories, see page 352

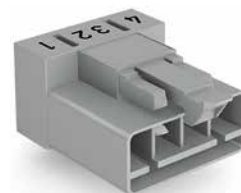
Approvals, see www.wago.com

Coding overview, see page 374

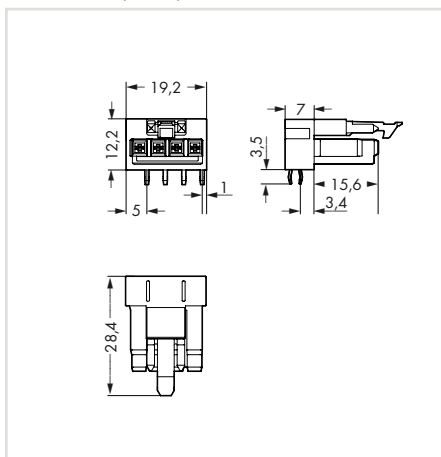
Coding	Marking	Color
B	1 2 3 4	gray
B	1 2 3 4	light green
B	1 2 3 4	pink



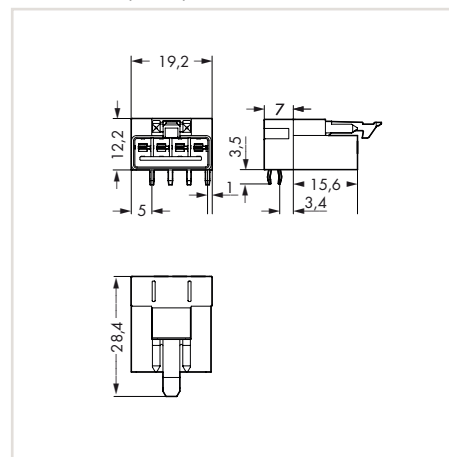
Rated voltage	250 V
Rated current	16 A (restrictions, see page 62)



Dimensions (in mm):



Dimensions (in mm):



Socket, angled		
Color	Item No.	Pack. Unit
● gray	890-844/011-000	100
● light green	890-864/011-000	100
● pink	890-884/011-000	100

Plug, angled		
Color	Item No.	Pack. Unit
● gray	890-854/011-000	100
● light green	890-874/011-000	100
● pink	890-894/011-000	100

Coding	Marking	Color
B	1 2 3 4	● gray
B	1 2 3 4	● light green
B	1 2 3 4	● pink

# WINSTA® MINI special

## Distribution Connectors, 4-Pole

### 890 Series

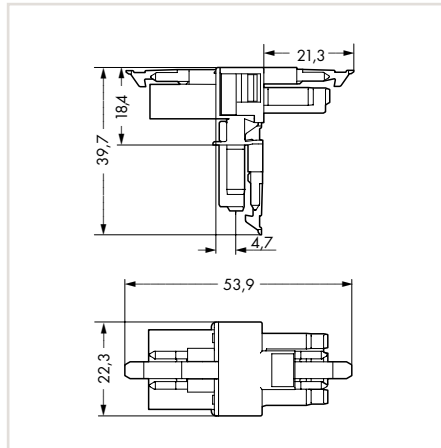
2

Rated voltage	400 V
Rated current	16 A (restrictions, see page 62)

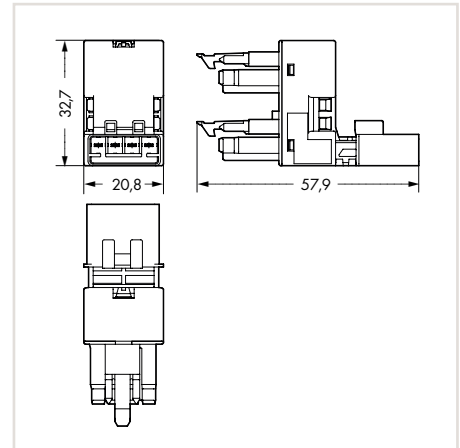
Rated voltage	400 V
Rated current	16 A (restrictions, see page 62)



Dimensions (in mm):



Dimensions (in mm):



T-distribution connector, 1 x plug/2 x socket		
Color	Item No.	Pack. Unit
gray	890-1631	50
light green	890-1632	50
pink	890-1633	50

h-distribution connector, unidirectional, plug/socket – socket		
Color	Item No.	Pack. Unit
gray	890-1681	50
light green	890-1682	50
pink	890-1683	50

T-distribution connector, 1 x plug/2 x socket, for "flying leads," with 3rd locking lever		
Color	Item No.	Pack. Unit
gray	890-1731	50
light green	890-1732	50
pink	890-1733	50

h-distribution connector, unidirectional, plug/socket – socket, for "flying leads," with 3rd locking lever		
Color	Item No.	Pack. Unit
gray	890-1781	50
light green	890-1782	50
pink	890-1783	50

Additional pole markings available upon request.

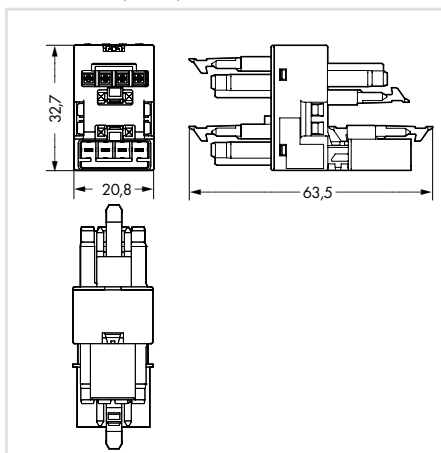
- 890 Series Accessories, see page 352
- Approvals, see www.wago.com
- Coding overview, see page 374

Coding	Marking	Color
B	1 2 3 4	gray
B	1 2 3 4	light green
B	1 2 3 4	pink

Rated voltage	400 V
Rated current	16 A (restrictions, see page 62)



Dimensions (in mm):



Distribution connector, 3-way, 1 x plug/3 x socket		
Color	Item No.	Pack. Unit
○ gray	890-1734	50
● light green	890-1735	50
● pink	890-1736	50

Coding	Marking	Color
B	1 2 3 4	○ gray
B	1 2 3 4	● light green
B	1 2 3 4	● pink

# WINSTA® MINI special

## Cable Assemblies 4 x 1 mm<sup>2</sup>, PVC

### 891 Series

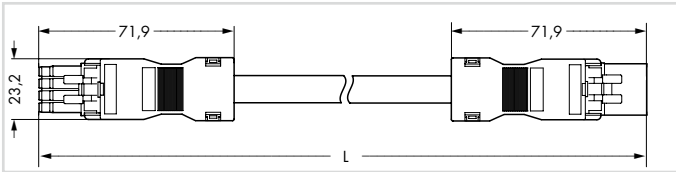
PVC Control line: 4 x 1, gray

Rated voltage	400 V
Rated current	10 A
Strip length	9 mm / 0.35 inch
Conductor preparation	tip-bonded

2



Dimensions (in mm):

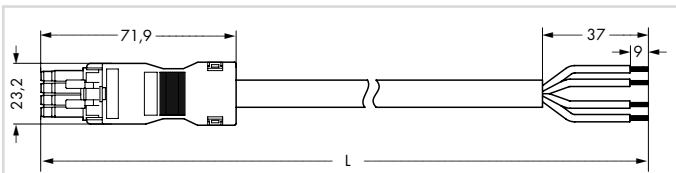


Interconnecting cable, socket – plug, PVC, B-coding

Length	○ gray	● light green	● pink	Pack. Unit
1 m	891-8994/005-103	891-8994/005-105	891-8994/005-107	1
2 m	891-8994/005-203	891-8994/005-205	891-8994/005-207	1
3 m	891-8994/005-303	891-8994/005-305	891-8994/005-307	1
4 m	891-8994/005-403	891-8994/005-405	891-8994/005-407	1
5 m	891-8994/005-503	891-8994/005-505	891-8994/005-507	1
6 m	891-8994/005-603	891-8994/005-605	891-8994/005-607	1
7 m	891-8994/005-703	891-8994/005-705	891-8994/005-707	1
8 m	891-8994/005-803	891-8994/005-805	891-8994/005-807	1



Dimensions (in mm):



Connecting cable, socket – free end, PVC, B-coding

Length	○ gray	● light green	● pink	Pack. Unit
1 m	891-8994/105-103	891-8994/105-105	891-8994/105-107	1
2 m	891-8994/105-203	891-8994/105-205	891-8994/105-207	1
3 m	891-8994/105-303	891-8994/105-305	891-8994/105-307	1
4 m	891-8994/105-403	891-8994/105-405	891-8994/105-407	1
5 m	891-8994/105-503	891-8994/105-505	891-8994/105-507	1
6 m	891-8994/105-603	891-8994/105-605	891-8994/105-607	1
7 m	891-8994/105-703	891-8994/105-705	891-8994/105-707	1
8 m	891-8994/105-803	891-8994/105-805	891-8994/105-807	1



Dimensions (in mm):



Connecting cable, plug – free end, PVC, B-coding

Length	○ gray	● light green	● pink	Pack. Unit
1 m	891-8994/205-103	891-8994/205-105	891-8994/205-107	1
2 m	891-8994/205-203	891-8994/205-205	891-8994/205-207	1
3 m	891-8994/205-303	891-8994/205-305	891-8994/205-307	1
4 m	891-8994/205-403	891-8994/205-405	891-8994/205-407	1
5 m	891-8994/205-503	891-8994/205-505	891-8994/205-507	1
6 m	891-8994/205-603	891-8994/205-605	891-8994/205-607	1
7 m	891-8994/205-703	891-8994/205-705	891-8994/205-707	1
8 m	891-8994/205-803	891-8994/205-805	891-8994/205-807	1

Additional cable lengths and pole markings are available upon request.

891 Series Accessories, see page 352

Approvals, see www.wago.com

Coding overview, see page 374

Coding

B

B

B

Marking

1 2 3 4

1 2 3 4

1 2 3 4

Color

○ gray

● light green

● pink

# WINSTA® MINI special

## Cable Assemblies 4 x 1.5 mm<sup>2</sup>, PVC

### 891 Series

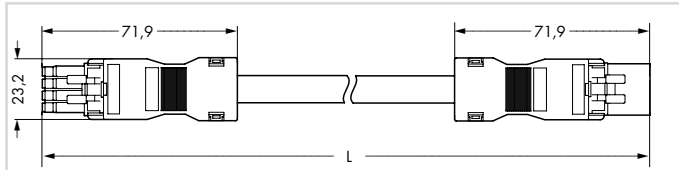
PVC

Control line: 4 x 1.5, gray

Rated voltage	400 V
Rated current	16 A (restrictions, see page 62)
Strip length	9 mm / 0.35 inch
Conductor preparation	tip-bonded



Dimensions (in mm):

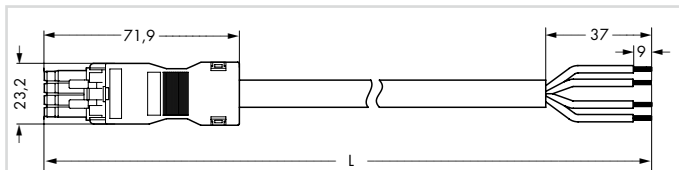


Interconnecting cable, socket – plug, PVC, B-coding

Length	○ gray	● light green	● pink	Pack. Unit
1 m	891-8994/006-103	891-8994/006-105	891-8994/006-107	1
2 m	891-8994/006-203	891-8994/006-205	891-8994/006-207	1
3 m	891-8994/006-303	891-8994/006-305	891-8994/006-307	1
4 m	891-8994/006-403	891-8994/006-405	891-8994/006-407	1
5 m	891-8994/006-503	891-8994/006-505	891-8994/006-507	1
6 m	891-8994/006-603	891-8994/006-605	891-8994/006-607	1
7 m	891-8994/006-703	891-8994/006-705	891-8994/006-707	1
8 m	891-8994/006-803	891-8994/006-805	891-8994/006-807	1



Dimensions (in mm):

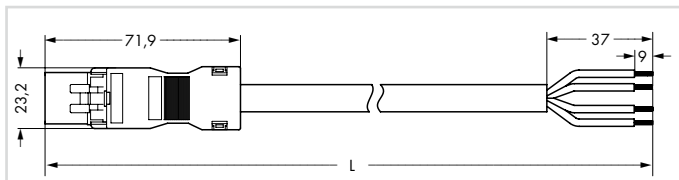


Connecting cable, socket – free end, PVC, B-coding

Length	○ gray	● light green	● pink	Pack. Unit
1 m	891-8994/106-103	891-8994/106-105	891-8994/106-107	1
2 m	891-8994/106-203	891-8994/106-205	891-8994/106-207	1
3 m	891-8994/106-303	891-8994/106-305	891-8994/106-307	1
4 m	891-8994/106-403	891-8994/106-405	891-8994/106-407	1
5 m	891-8994/106-503	891-8994/106-505	891-8994/106-507	1
6 m	891-8994/106-603	891-8994/106-605	891-8994/106-607	1
7 m	891-8994/106-703	891-8994/106-705	891-8994/106-707	1
8 m	891-8994/106-803	891-8994/106-805	891-8994/106-807	1



Dimensions (in mm):



Connecting cable, plug – free end, PVC, B-coding

Length	○ gray	● light green	● pink	Pack. Unit
1 m	891-8994/206-103	891-8994/206-105	891-8994/206-107	1
2 m	891-8994/206-203	891-8994/206-205	891-8994/206-207	1
3 m	891-8994/206-303	891-8994/206-305	891-8994/206-307	1
4 m	891-8994/206-403	891-8994/206-405	891-8994/206-407	1
5 m	891-8994/206-503	891-8994/206-505	891-8994/206-507	1
6 m	891-8994/206-603	891-8994/206-605	891-8994/206-607	1
7 m	891-8994/206-703	891-8994/206-705	891-8994/206-707	1
8 m	891-8994/206-803	891-8994/206-805	891-8994/206-807	1

Coding	Marking	Color
B	1 2 3 4	○ gray
B	1 2 3 4	● light green
B	1 2 3 4	● pink

# WINSTA® MINI special

## Sockets and Plugs, 5-Pole

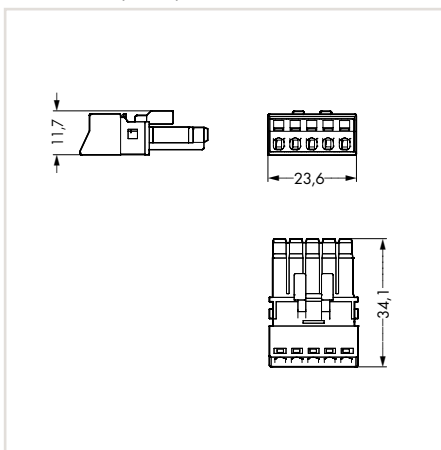
### 890 Series

2

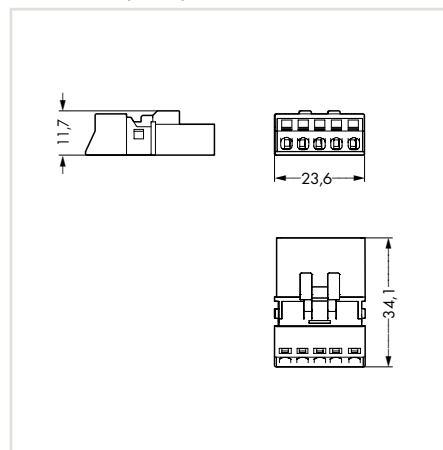
Conductor range, solid and fine-stranded	0.25 ... 1.5 mm <sup>2</sup> / 22 ... 16 AWG
Conductor range, stranded	0.25 ... 1 mm <sup>2</sup> / 22 ... 18 AWG
Rated voltage	400 V
Rated current	16 A (restrictions, see page 62)
Strip length	9 mm / 0.35 inch



Dimensions (in mm):



Dimensions (in mm):



Socket, without strain relief housing		
Color	Item No.	Pack. Unit
○ gray	890-245	50
○ gray	890-245/060-000	50
○ gray	890-245/062-000	50
● light green	890-265	50
● light green	890-265/073-000	50
● pink	890-285	50
● pink	890-285/080-000	50
● pink	890-285/082-000	50

Plug, without strain relief housing		
Color	Item No.	Pack. Unit
○ gray	890-255	50
○ gray	890-255/060-000	50
○ gray	890-255/062-000	50
● light green	890-275	50
● light green	890-275/073-000	50
● pink	890-295	50
● pink	890-295/080-000	50
● pink	890-295/082-000	50

Additional pole markings available upon request.

**Note:**

All connectors for fixed installations (snap-in versions for lighting fixtures or devices, all types of PCB and distribution connectors) are factory-equipped with locking levers to ensure plugs and sockets are securely locked. Additional locking levers are only required for "flying leads" (plug/socket).

890 Series Accessories, see page 352

Approvals, see www.wago.com

Coding overview, see page 374

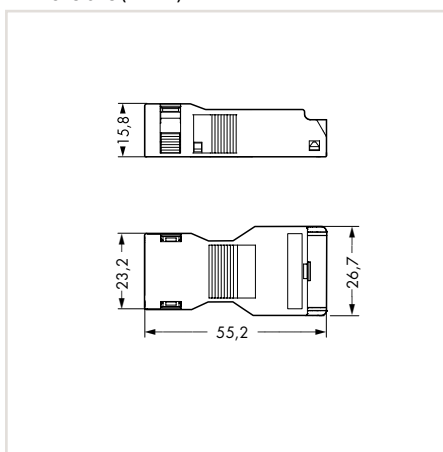
Coding	Marking	Suffix No.	Color
B	1 2 3 4 5		○ gray
B	N ⊕ L1 L2 L3	/060-000	○ gray
B	N PE 3 2 1	/062-000	○ gray
B	1 2 3 4 5		● light green
B	1 ⊕ 2 3 4	/073-000	● light green
B	1 2 3 4 5		● pink
B	N ⊕ L I- I+	/080-000	● pink
B	N ⊕ L - +	/082-000	● pink

## WINSTA® MINI special Strain Relief Housings, 5-Pole 890 Series

2



Dimensions (in mm):



Strain relief housing,  
for 6.5 ... 10.5 mm cable diameter,  
45 mm strip length

Color	Item No.	Pack. Unit
black	890-505	50
white	890-515	50

# WINSTA® MINI special

## Snap-In Sockets and Plugs, 5-Pole

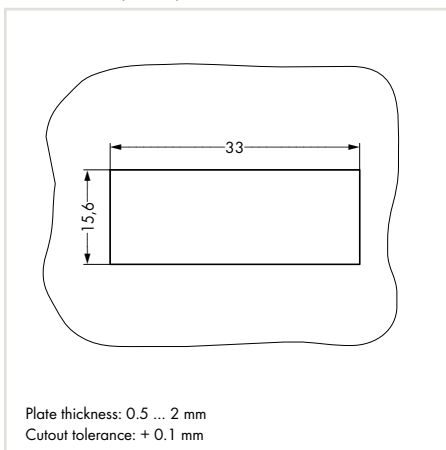
### 890 Series

2

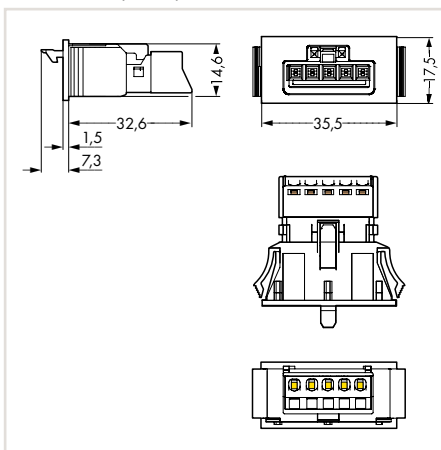
Conductor range, solid and fine-stranded	0.25 ... 1.5 mm² / 22 ... 16 AWG
Conductor range, stranded	0.25 ... 1 mm² / 22 ... 18 AWG
Rated voltage	400 V
Rated current	16 A (restrictions, see page 62)
Strip length	9 mm / 0.35 inch



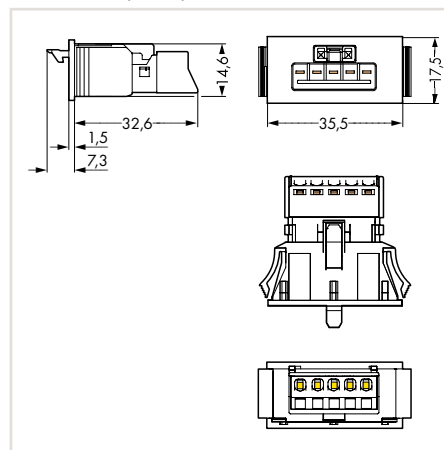
Dimensions (in mm):



Dimensions (in mm):



Dimensions (in mm):



Socket		
Color	Item No.	Pack. Unit
gray	890-745	50
gray	890-745/060-000	50
gray	890-745/062-000	50
light green	890-765	50
light green	890-765/073-000	50
pink	890-785	50
pink	890-785/080-000	50
pink	890-785/082-000	50

Plugs		
Color	Item No.	Pack. Unit
gray	890-755	50
gray	890-755/060-000	50
gray	890-755/062-000	50
light green	890-775	50
light green	890-775/073-000	50
pink	890-795	50
pink	890-795/080-000	50
pink	890-795/082-000	50

Additional pole markings available upon request.

**Note:**

All connectors for fixed installations (snap-in versions for lighting fixtures or devices, all types of PCB and distribution connectors) are factory-equipped with locking levers to ensure plugs and sockets are securely locked. Additional locking levers are only required for "flying leads" (plug/socket).

890 Series Accessories, see page 352

Approvals, see www.wago.com

Coding overview, see page 374

Coding	Marking	Suffix No.	Color
B	1 2 3 4 5		gray
B	N ⊕ L1 L2 L3	/060-000	gray
B	N PE 3 2 1	/062-000	gray
B	1 2 3 4 5		light green
B	1 ⊕ 2 3 4	/073-000	light green
B	1 2 3 4 5		pink
B	N ⊕ L I- I+	/080-000	pink
B	N ⊕ L - +	/082-000	pink





# WINSTA® MINI special

## Pluggable PCB Connectors, 5-Pole

### 890 Series

Rated voltage

250 V

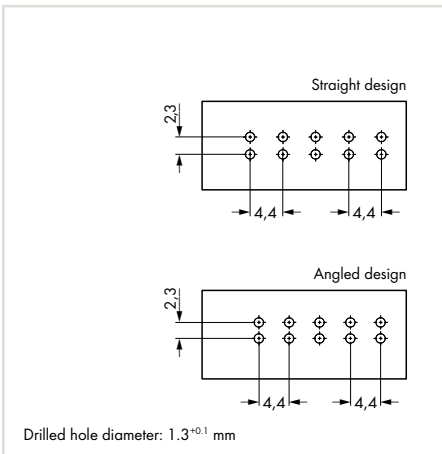
Rated current

16 A (restrictions, see page 62)

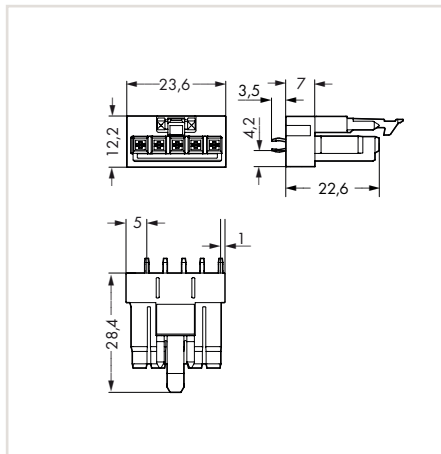
2



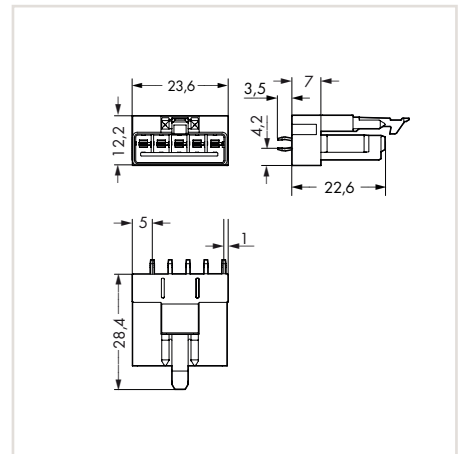
Dimensions (in mm):



Dimensions (in mm):



Dimensions (in mm):



#### Socket, straight

Color	Item No.	Pack. Unit
gray	890-845	100
light green	890-865	100
pink	890-885	100

#### Plug, straight

Color	Item No.	Pack. Unit
gray	890-855	100
light green	890-875	100
pink	890-895	100

Additional pole markings available upon request.

**Note:**

All connectors for fixed installations (snap-in versions for lighting fixtures or devices, all types of PCB and distribution connectors) are factory-equipped with locking levers to ensure plugs and sockets are securely locked. Additional locking levers are only required for "flying leads" (plug/socket).

890 Series Accessories, see page 352

Approvals, see www.wago.com

Coding overview, see page 374

Coding

B
B
B

Marking

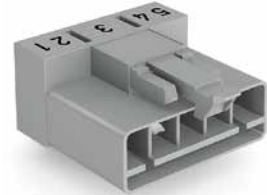
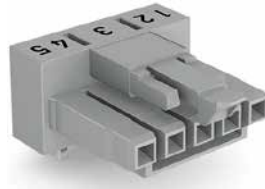
1 2 3 4 5
1 2 3 4 5
1 2 3 4 5

Color

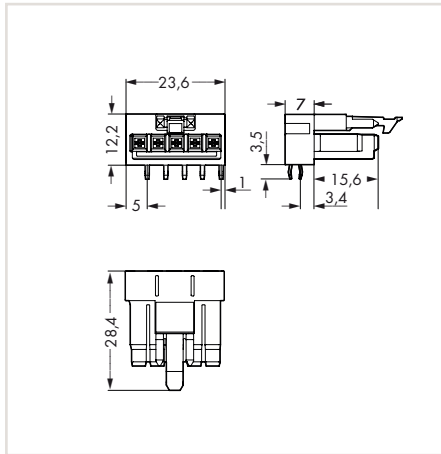
gray
light green
pink

Rated voltage
Rated current

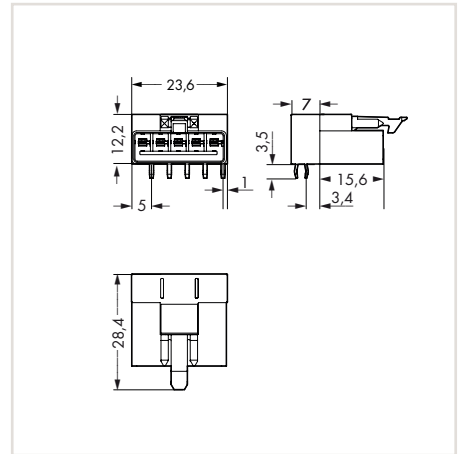
250 V
16 A (restrictions, see page 62)



Dimensions (in mm):



Dimensions (in mm):



Socket, angled		
Color	Item No.	Pack. Unit
gray	890-845/011-000	100
light green	890-865/011-000	100
pink	890-885/011-000	100

Plug, angled		
Color	Item No.	Pack. Unit
gray	890-855/011-000	100
light green	890-875/011-000	100
pink	890-895/011-000	100

Coding	Marking	Color
B	1 2 3 4 5	gray
B	1 2 3 4 5	light green
B	1 2 3 4 5	pink

# WINSTA® MINI special

## Cable Assemblies 5 x 1 mm<sup>2</sup>, PVC

### 891 Series

PVC Control line: 5 x 1, gray

Rated voltage	400 V
Rated current	10 A
Strip length	9 mm / 0.35 inch
Conductor preparation	tip-bonded

2



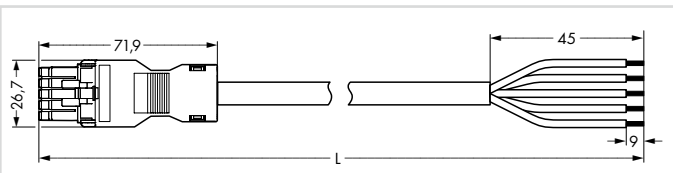
Dimensions (in mm):



Interconnecting cable, socket – plug, PVC, B-coding				
Length	○ gray	● light green	● pink	Pack. Unit
1 m	891-8995/005-103	891-8995/005-105	891-8995/005-107	1
2 m	891-8995/005-203	891-8995/005-205	891-8995/005-207	1
3 m	891-8995/005-303	891-8995/005-305	891-8995/005-307	1
4 m	891-8995/005-403	891-8995/005-405	891-8995/005-407	1
5 m	891-8995/005-503	891-8995/005-505	891-8995/005-507	1
6 m	891-8995/005-603	891-8995/005-605	891-8995/005-607	1
7 m	891-8995/005-703	891-8995/005-705	891-8995/005-707	1
8 m	891-8995/005-803	891-8995/005-805	891-8995/005-807	1



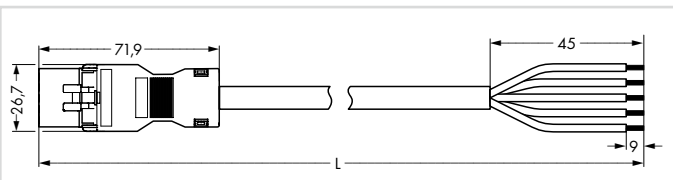
Dimensions (in mm):



Connecting cable, socket – free end, PVC, B-coding				
Length	○ gray	● light green	● pink	Pack. Unit
1 m	891-8995/105-103	891-8995/105-105	891-8995/105-107	1
2 m	891-8995/105-203	891-8995/105-205	891-8995/105-207	1
3 m	891-8995/105-303	891-8995/105-305	891-8995/105-307	1
4 m	891-8995/105-403	891-8995/105-405	891-8995/105-407	1
5 m	891-8995/105-503	891-8995/105-505	891-8995/105-507	1
6 m	891-8995/105-603	891-8995/105-605	891-8995/105-607	1
7 m	891-8995/105-703	891-8995/105-705	891-8995/105-707	1
8 m	891-8995/105-803	891-8995/105-805	891-8995/105-807	1



Dimensions (in mm):



Connecting cable, plug – free end, PVC, B-coding				
Length	○ gray	● light green	● pink	Pack. Unit
1 m	891-8995/205-103	891-8995/205-105	891-8995/205-107	1
2 m	891-8995/205-203	891-8995/205-205	891-8995/205-207	1
3 m	891-8995/205-303	891-8995/205-305	891-8995/205-307	1
4 m	891-8995/205-403	891-8995/205-405	891-8995/205-407	1
5 m	891-8995/205-503	891-8995/205-505	891-8995/205-507	1
6 m	891-8995/205-603	891-8995/205-605	891-8995/205-607	1
7 m	891-8995/205-703	891-8995/205-705	891-8995/205-707	1
8 m	891-8995/205-803	891-8995/205-805	891-8995/205-807	1

Additional cable lengths and pole markings are available upon request.

891 Series Accessories, see page 352

Approvals, see www.wago.com

Coding overview, see page 374

Coding	Marking	Color
B	1 2 3 4 5	○ gray
B	1 2 3 4 5	● light green
B	1 2 3 4 5	● pink

# WINSTA® MINI special

## Cable Assemblies 5 x 1.5 mm<sup>2</sup>, PVC

### 891 Series

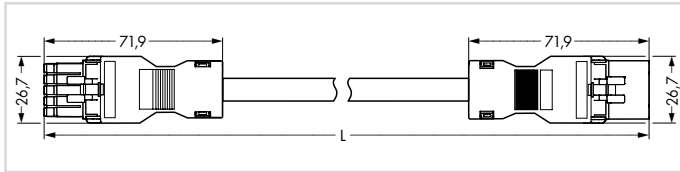
PVC

Control line: 5 x 1.5, gray

Rated voltage	400 V
Rated current	16 A (restrictions, see page 62)
Strip length	9 mm / 0.35 inch
Conductor preparation	tip-bonded



Dimensions (in mm):

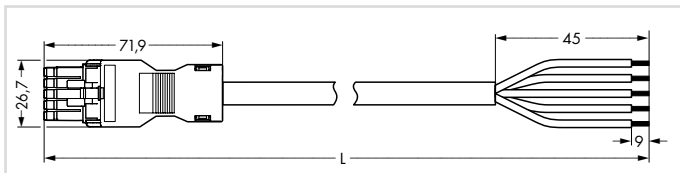


Interconnecting cable, socket – plug, PVC, B-coding

Length	○ gray	● light green	● pink	Pack. Unit
1 m	891-8995/006-103	891-8995/006-105	891-8995/006-107	1
2 m	891-8995/006-203	891-8995/006-205	891-8995/006-207	1
3 m	891-8995/006-303	891-8995/006-305	891-8995/006-307	1
4 m	891-8995/006-403	891-8995/006-405	891-8995/006-407	1
5 m	891-8995/006-503	891-8995/006-505	891-8995/006-507	1
6 m	891-8995/006-603	891-8995/006-605	891-8995/006-607	1
7 m	891-8995/006-703	891-8995/006-705	891-8995/006-707	1
8 m	891-8995/006-803	891-8995/006-805	891-8995/006-807	1



Dimensions (in mm):

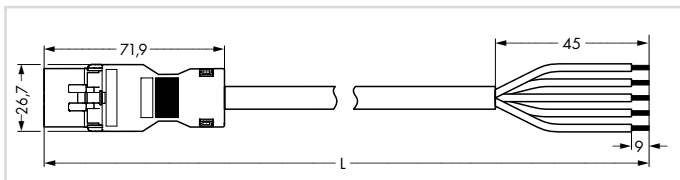


Connecting cable, socket – free end, PVC, B-coding

Length	○ gray	● light green	● pink	Pack. Unit
1 m	891-8995/106-103	891-8995/106-105	891-8995/106-107	1
2 m	891-8995/106-203	891-8995/106-205	891-8995/106-207	1
3 m	891-8995/106-303	891-8995/106-305	891-8995/106-307	1
4 m	891-8995/106-403	891-8995/106-405	891-8995/106-407	1
5 m	891-8995/106-503	891-8995/106-505	891-8995/106-507	1
6 m	891-8995/106-603	891-8995/106-605	891-8995/106-607	1
7 m	891-8995/106-703	891-8995/106-705	891-8995/106-707	1
8 m	891-8995/106-803	891-8995/106-805	891-8995/106-807	1



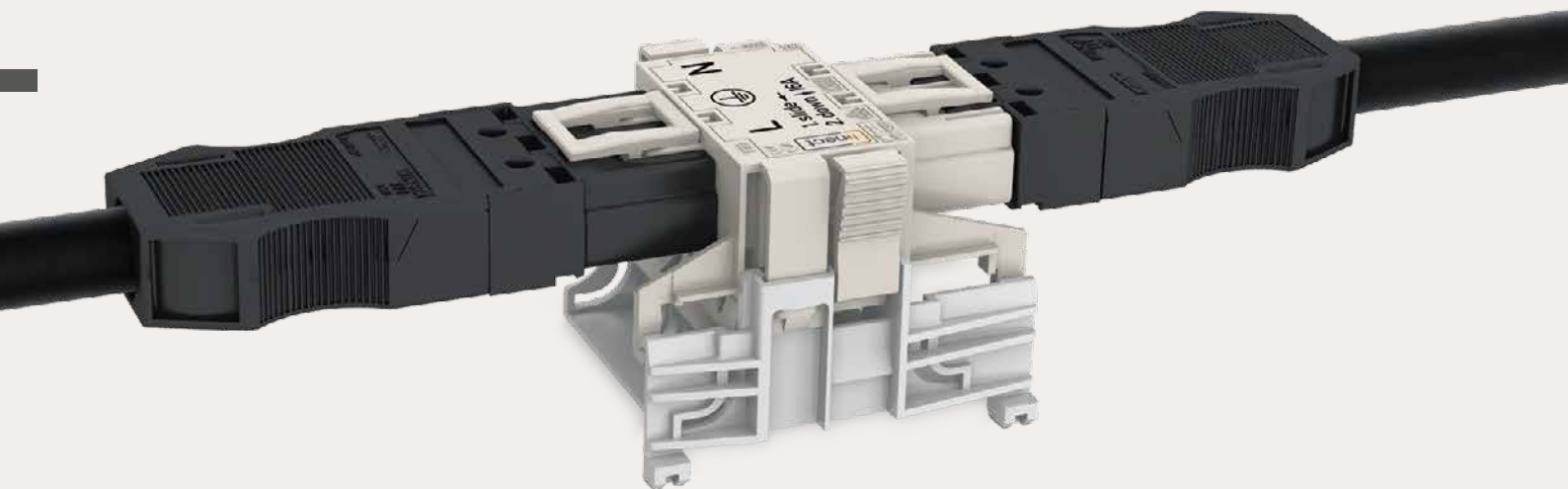
Dimensions (in mm):



Connecting cable, plug – free end, PVC, B-coding

Length	○ gray	● light green	● pink	Pack. Unit
1 m	891-8995/206-103	891-8995/206-105	891-8995/206-107	1
2 m	891-8995/206-203	891-8995/206-205	891-8995/206-207	1
3 m	891-8995/206-303	891-8995/206-305	891-8995/206-307	1
4 m	891-8995/206-403	891-8995/206-405	891-8995/206-407	1
5 m	891-8995/206-503	891-8995/206-505	891-8995/206-507	1
6 m	891-8995/206-603	891-8995/206-605	891-8995/206-607	1
7 m	891-8995/206-703	891-8995/206-705	891-8995/206-707	1
8 m	891-8995/206-803	891-8995/206-805	891-8995/206-807	1

Coding	Marking	Color
B	1 2 3 4 5	○ gray
B	1 2 3 4 5	● light green
B	1 2 3 4 5	● pink








**WINSTA® MIDI**

## WINSTA® MIDI

### 4 mm<sup>2</sup> / 25 A

### 770 / 771 Series

- Note**
- Installation connectors are designed for connection and disconnection while not under load.
  - There is no hazard-inducing interchangeability with systems based on IEC 60309, IEC 60320, IEC 60906 and with national connector and socket systems.
  - Compliance with the standards (IEC 61535) does not guarantee hazard-preventing, non-interchangeability with installation connector systems from various manufacturers.
  - Installation connector systems are not a substitute for residential connector/socket systems.

	Page	
	<b>Linect® T-Connectors, 770 Series</b>	
	2-pole	108
	3-pole	108
	4-pole	109
	5-pole	109
	<b>Pluggable Connectors, 770 Series</b>	
	2-pole	110
	3-pole	126
	4-pole	160
	5-pole	172
	<b>Strain Relief Housings, 770 Series</b>	
	2-pole	112
	3-pole	128
	4-pole	162
	5-pole	176
6- and 7-pole	208	
	<b>Snap-In Device Connectors, 770 Series</b>	
	2-pole	113
	3-pole	130
	4-pole	164
	5-pole	178
	<b>Pluggable PCB Connectors, 770 Series</b>	
	3-pole	136
	4-pole	166
	5-pole	182
	<b>Distribution Connectors, 770 Series</b>	
	2-pole	114
	3-pole	138
	4-pole	168
	5-pole	184
	<b>Cable Assemblies, 771 Series</b>	
	2-pole	116
	3-pole	144
	4-pole	170
	5-pole	189
	<b>IP 2XD, 770/771 Series</b>	
	Strain relief housings, 3-pole	154
	Cable assemblies, 3-pole	156

## WINSTA® MIDI

### Technical Data, 2- to 5-Pole

### 770 / 771 Series



3

#### Connection Data

Connection technology	Push-in CAGE CLAMP®
Solid conductor	0.5 ... 4 mm <sup>2</sup> / 20 ... 12 AWG
Solid conductor, push-in termination	1.5 ... 4 mm <sup>2</sup> / 16 ... 12 AWG
Stranded conductor	0.5 ... 2.5 mm <sup>2</sup> / 20 ... 14 AWG
Fine-stranded conductor	0.5 ... 4 mm <sup>2</sup> / 20 ... 12 AWG
Fine-stranded conductor with uninsulated ferrule	0.25 ... 2.5 mm <sup>2</sup> / 20 ... 14 AWG
Fine-stranded conductor with insulated ferrule	0.25 ... 1.5 mm <sup>2</sup> / 20 ... 16 AWG
Strip length	9 mm / 0.35 inch (see also packaging or instructions)

#### Electrical Data

Ratings per*	IEC/EN 60664-1
Rated voltage (III / 3)	
2-pole	250 V
3-pole	250 V
4-pole	400 V
5-pole	400 V
Rated surge voltage (III / 3)	
2-pole	4 kV
3-pole	4 kV
4-pole	6 kV
5-pole	6 kV
Rated current	
2-pole	25 A
3-pole	25 A
4-pole	25 A
5-pole	25 A
Approvals per	UL 1977 (factory wiring only)
Rated voltage (UL)	600 V
Rated current (UL)	23 A

Application note for the U.S. market (USR):  
Some versions may also be used for current interruption in accordance with the UL certificate in select applications with currents below 16 A and voltages up to 600 V.  
For further information, please contact your local sales office.

Clearances and creepage distances	≥ 5.5 mm to exposed surfaces
Contact resistance	approx. 1 mΩ contact resistance approx. 0.25 mΩ contact transition socket /plug
Number of potentials	
2-pole	2
3-pole	3
4-pole	4
5-pole	5
Number of connection points	
2-pole	4
3-pole	6
4-pole	8
5-pole	10 (5 for 1-conductor connection)

#### Mechanical Data

Mating cycles	200, without resistive load 100, with resistive load $I_N = 25$ A (4 mm <sup>2</sup> )
Mating forces	20 ... 70 N (depending on pole number)
Unmating forces	20 ... 70 N (depending on pole number) when unlocked
Retention forces	> 80 N (locked)

\* (III / 3) ≙ Overvoltage category III /  
Pollution degree 3

770/771 Series Accessories,  
see page 355

Approvals,  
see [www.wago.com](http://www.wago.com)

Coding overview,  
see page 372



**Mechanical Data (Continued)**

Cable diameter	
2-pole	7 ... 10.5 mm
3-pole	8 ... 11.5 mm Ø
4-pole	9 ... 13 mm
5-pole	9 ... 13 mm
Protection type	IP2xC (with strain relief housing) Note: These compact connectors are not designed for use in open, easily accessible areas.
Processing temperature	-5 ... +40 °C
Continuous operating temperature	-35 ... ≤ +85 °C PVC cable ≤ +70 °C (incl. halogen-free) Insulating parts ≤ +105 °C

**Mismatching Protection**

All WINSTA® components are 100 % protected against mismatching in terms of:

- Plugging a different number of poles
- Plugging when rotated by 180°
- Plugging when laterally staggered
- Plugging one pole

**Locking Levers**

All connectors for mounted installations (snap-in versions for lighting fixtures or devices, all types of PCB and distribution connectors) are factory-equipped with locking levers to ensure plugs and sockets are securely locked. Additional locking levers are only required for "flying leads" (plug/socket).

**Material Data**

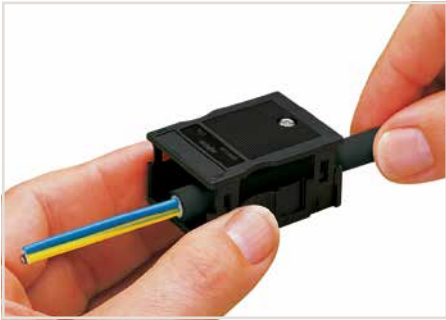
Insulating parts	Polyamide (PA 66), halogen-free
Contacts	Copper or copper alloy, surface-treated
Clamping spring	Stainless steel (Cr-Ni)
Flammability class (per UL 94)	V0

**Standards/Approvals**

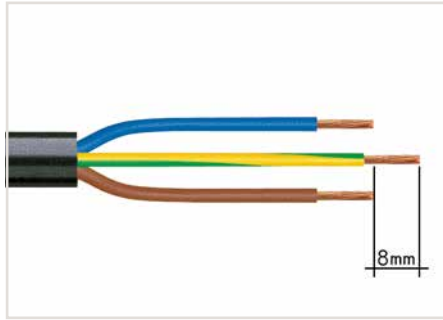
- UL (Depending on end-product standard, it **may** be necessary to use UL-approved cables with an appropriate AWG. These cables are available upon request.)
- CCA certificate
- IEC 61535 (IEC 61984 for Linect®)
- LR
- GL
- DNV
- Cable assemblies approved for marine applications are available upon request.
- Specialty products for use in easily accessible areas are available (see page 148). These products meet IP 2XD protection class.

# WINSTA® MIDI Installation 770 / 771 Series

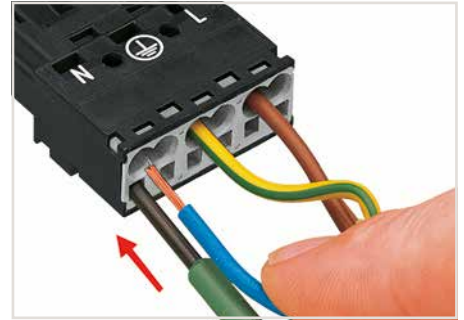
3



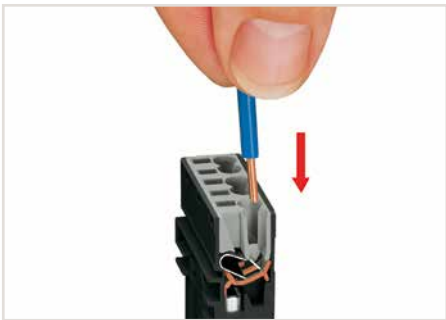
We recommend pulling the pre-latched strain relief housing over the cable prior to termination. However, the strain relief can be mounted at a later time as well.



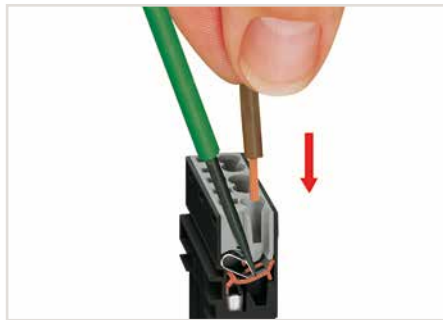
1. Strip length, outer insulation = x mm ❶
2. Strip length = 9 mm
3. Extended ground conductor = 8 mm



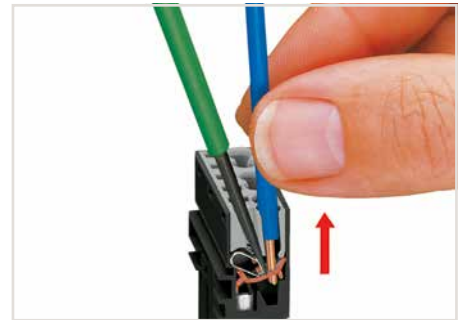
To terminate fine-stranded conductors, open the clamping unit via screwdriver (2.5 mm blade width) and insert a stripped conductor until it hits backstop.



Insert the stripped solid conductor until it hits backstop.



To terminate fine-stranded conductors, open the clamping unit via screwdriver (2.5 mm blade width) and insert a stripped conductor until it hits backstop.



To remove the conductor, actuate the clamp via screwdriver (2.5 mm blade width) and pull out the conductor.



Latch the strain relief housing on the plug/socket. Note the "TOP" inscription.



Prepare strain relief housing by snapping together upper and bottom part.



Tighten strain relief screw via screwdriver (2.5 mm blade width).



Simply cut off the coding pin from the socket.



Insert coding pin into plug (break first) until it engages.



Marking strain relief housing via WSB Quick Marking System.

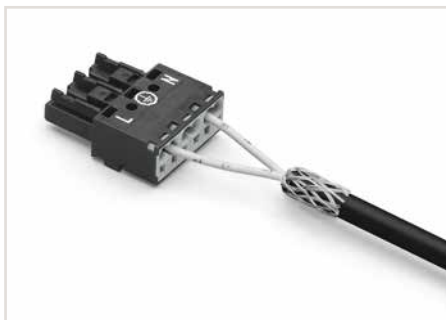
❶ Strip length, outer insulation: 2-pole = 35 mm, 3- to 5-pole = 55 mm



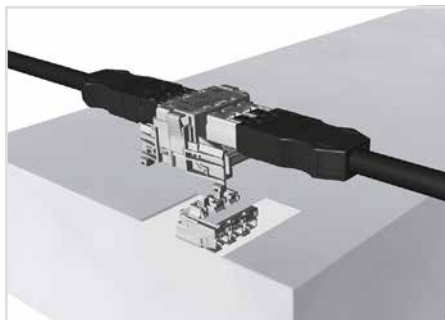
the light connection system



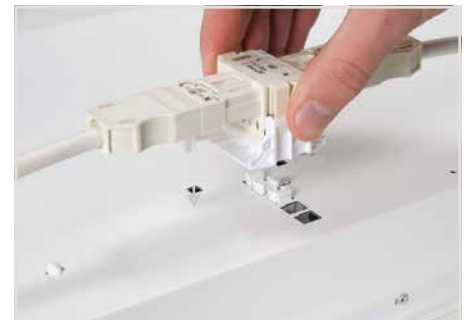
Connector with shield termination



Apply the shield to the rubber cable.  
Strip length, outer insulation = 55 mm  
Shield length = 10 mm



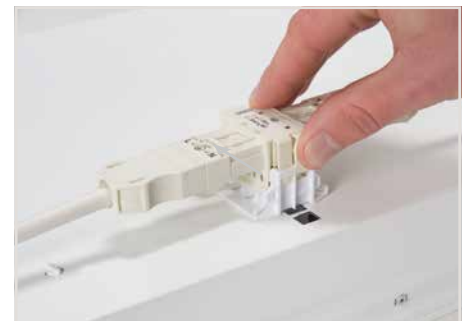
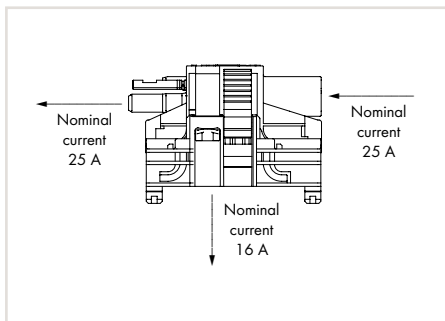
Connecting a T-connector to a 294 Series lighting connector.



Align the T-connector with the square cutouts.



Push the shield connecting plate into the connector until fully inserted.



Move the T-connector toward the square cutouts until it is locked in position.



First insert the wired connector into strain relief housing, then snap cover and tighten screw.



Push down until fully engaged – done!

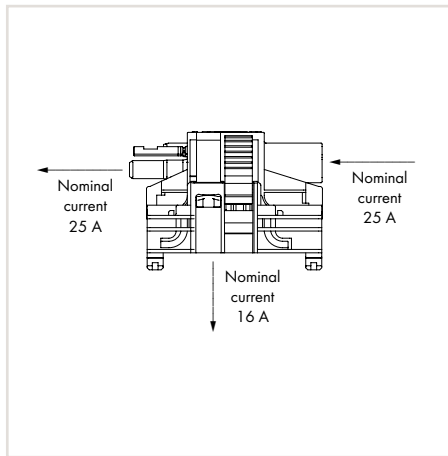
# WINSTA® MIDI

## Linect® T-Distribution Connectors, 2- and 3-Pole

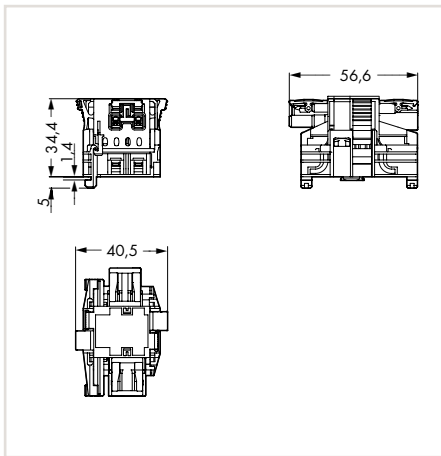
### 770 Series

3

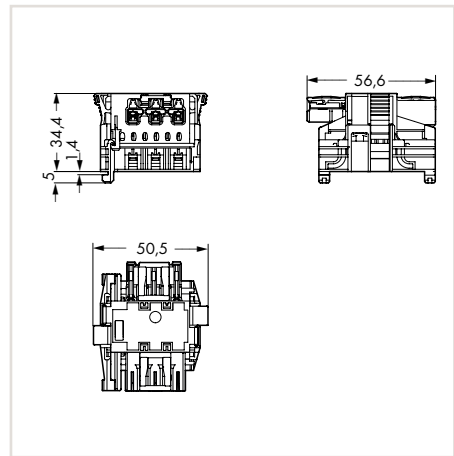
Rated voltage	250 V
Rated current	25 A (16 A)



Dimensions (in mm):



Dimensions (in mm):



Linect® T-connector, socket – plug, for DALI applications, white housing, blue cover, for lighting connectors 294-8032

Color	Item No.	Pack. Unit
● blue	770-7102	20

Linect® T-connector, socket – plug, white housing, white cover, for lighting connectors 294-8013 and 294-8113

Color	Item No.	Pack. Unit
○ white	770-6223	25

Linect® T-connector, socket – plug, for DALI applications, white housing, dark gray cover, for lighting connectors 294-8022

Color	Item No.	Pack. Unit
● dark gray	770-7502	20

770 Series Accessories, see page 355

Approvals, see www.wago.com

Coding overview, see page 372

Coding	Marking	Color
A	L ⊕ N	○ white
I	DA+ DA-	● blue
L	L' N'	● dark gray

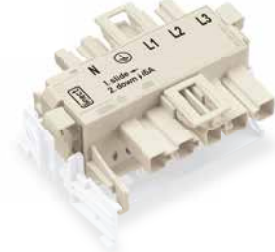


# WINSTA® MIDI

## Linect® T-Distribution Connectors, 4- and 5-Pole

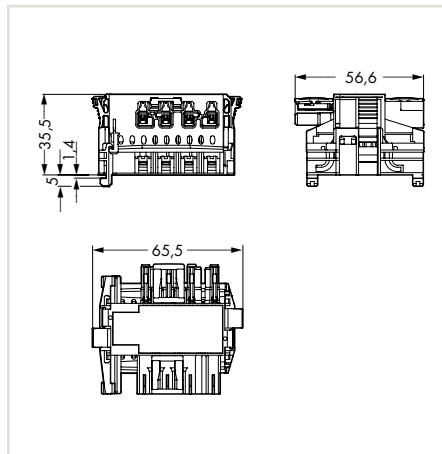
### 770 Series

Rated voltage	400 V
Rated current	25 A (16 A)

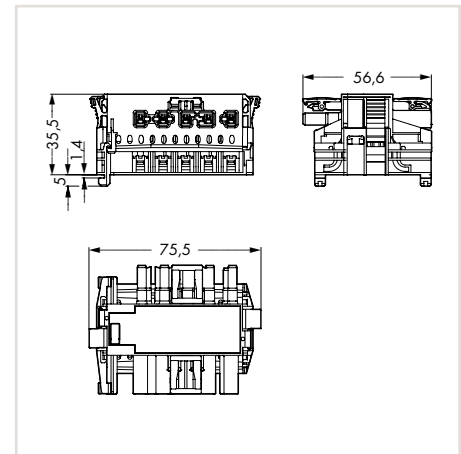


3

Dimensions (in mm):



Dimensions (in mm):



Linect® T-connector, socket – plug, white housing, white cover, for lighting connectors 294-8024 and 294-8124

Color	Item No.	Pack. Unit
○ white	770-6224	25

Linect® T-connector, socket – plug, white housing, white cover, for lighting connectors 294-8015 and 294-8115

Color	Item No.	Pack. Unit
○ white	770-6225	25

Linect® T-connector, socket – plug, for DALI applications, white housing, blue cover, for lighting connectors 294-8035 and 294-8135

Color	Item No.	Pack. Unit
● blue	770-7105	20

Linect® T-connector, socket – plug, white housing, dark gray cover for lighting connectors 294-8025 and 294-8125

Color	Item No.	Pack. Unit
● dark gray	770-7505	20

Coding	Marking	Color
A	N ⊕ 2L 1L	○ white
A	N ⊕ L1 L2 L3	○ white
I	N ⊕ L DA+ DA-	● blue
L	N ⊕ L N' L'	● dark gray

# WINSTA® MIDI

## Sockets and Plugs, 2-Pole

### 770 Series

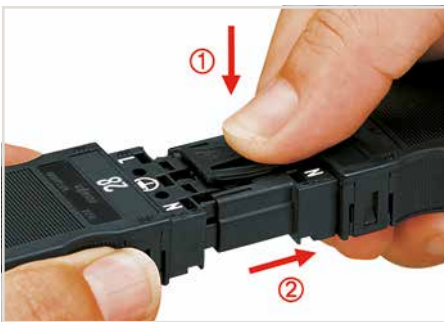


Snap on locking lever – observe direction (picture shows 3-pole plug).

Conductor range, solid and fine-stranded	0.5 ... 4 mm <sup>2</sup> / 20 ... 12 AWG
Conductor range, stranded	0.5 ... 2.5 mm <sup>2</sup> / 20 ... 14 AWG
Rated voltage	250 V
Rated current	25 A
Strip length	9 mm / 0.35 inch



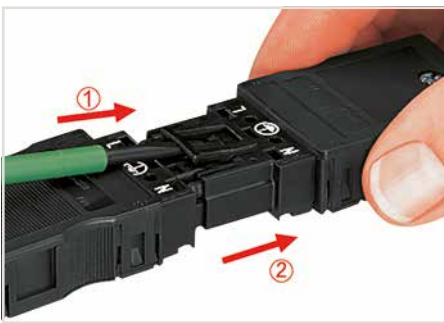
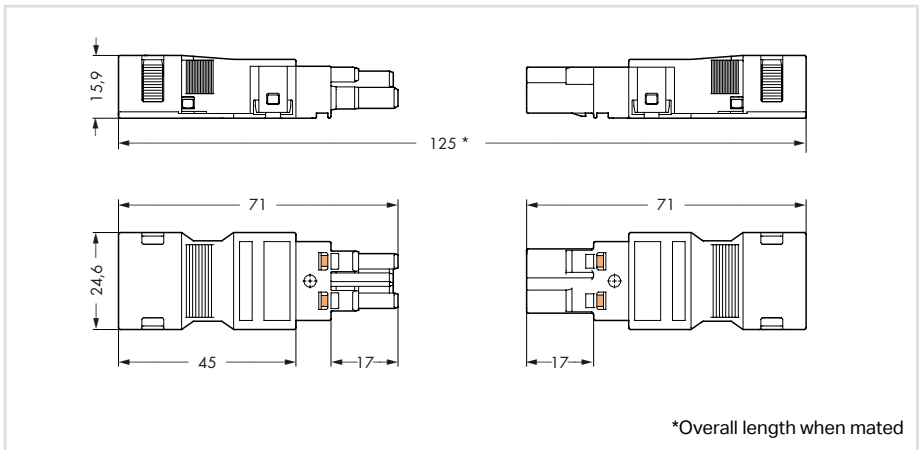
3



Locking lever, manually operated (picture shows 3-pole connectors):

- Push on locking lever
- Pull the connectors apart

Dimensions (in mm):



Locking lever, tool operated (picture shows 3-pole connectors):

- Unlatch locking lever
- Pull the connectors apart

Socket, with strain relief housing, for one cable, 7 ... 10.5 mm cable diameter, 35 mm strip length

Color	Item No.	Pack. Unit
● black	770-102/041-000	25
○ white	770-122/041-000	25

Plug, with strain relief housing, for one cable, 7 ... 10.5 mm cable diameter, 35 mm strip length

Color	Item No.	Pack. Unit
● black	770-112/041-000	25
○ white	770-132/041-000	25

**Note:**  
All connectors for fixed installations (snap-in versions for lighting fixtures or devices, all types of PCB and distribution connectors) are factory-equipped with locking levers to ensure plugs and sockets are securely locked. Additional locking levers are only required for "flying leads" (plug/socket).

- 770 Series Accessories, see page 355
- Approvals, see www.wago.com
- Coding overview, see page 372

Coding	Marking	Color
A	L N	● black
A	L N	○ white

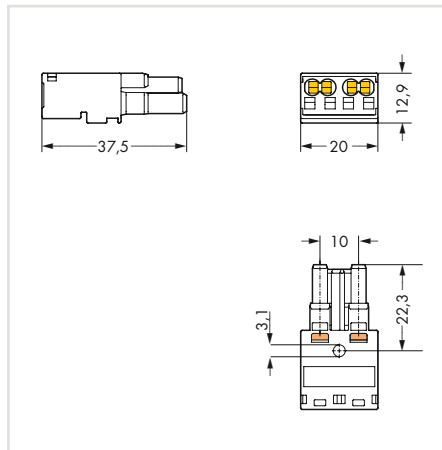


Conductor range, solid and fine-stranded	0.5 ... 4 mm <sup>2</sup> / 20 ... 12 AWG
Conductor range, stranded	0.5 ... 2.5 mm <sup>2</sup> / 20 ... 14 AWG
Rated voltage	250 V
Rated current	25 A
Strip length	9 mm / 0.35 inch

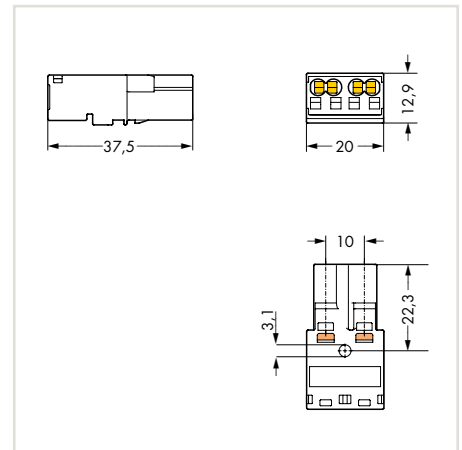


3

Dimensions (in mm):



Dimensions (in mm):



**Socket, without strain relief housing**

Color	Item No.	Pack. Unit
● black	770-202	100
○ white	770-222	100
● blue	770-1102	100
● dark gray	770-1162	100

**Plug, without strain relief housing**

Color	Item No.	Pack. Unit
● black	770-212	100
○ white	770-232	100
● blue	770-1112	100
● dark gray	770-1172	100

Coding	Marking	Color
A	L N	● black
A	L N	○ white
I	DA+ DA-	● blue
L	L' N'	● dark gray

## WINSTA® MIDI

### Strain Relief Housings for Different Cable Diameters, 2-Pole 770 Series

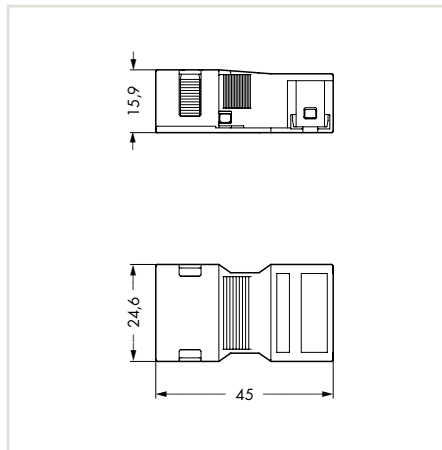


Snap-on type strain relief housings for:

- 2-pole sockets
- 2-pole plugs



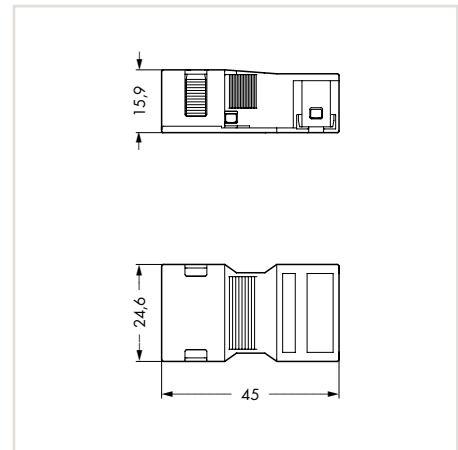
Dimensions (in mm):



Strain relief housing,  
for one cable, 5 ... 9 mm cable diameter,  
35 mm strip length


Color	Item No.	Pack. Unit
black	770-502/042-000	50
white	770-512/042-000	50


Dimensions (in mm):



Strain relief housing,  
for one cable, 7 ... 10.5 mm cable diameter,  
35 mm strip length

Color	Item No.	Pack. Unit
black	770-502/041-000	50
white	770-512/041-000	50

 Marking strips,  
see page 369

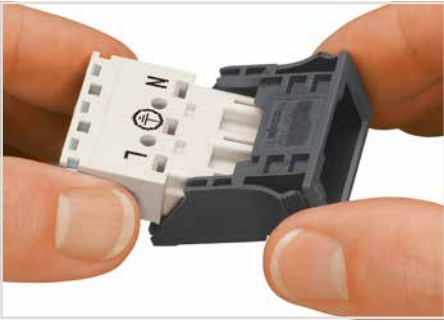
 Approvals,  
see [www.wago.com](http://www.wago.com)



## WINSTA® MIDI

### Snap-In Frames, 2-Pole

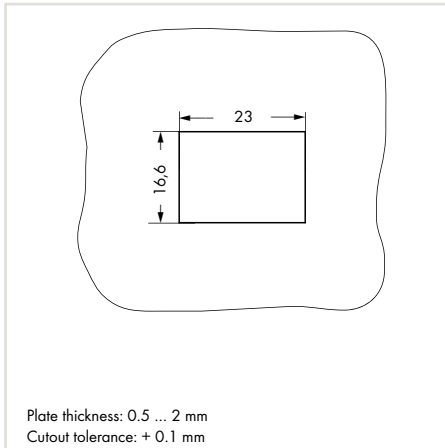
### 770 Series



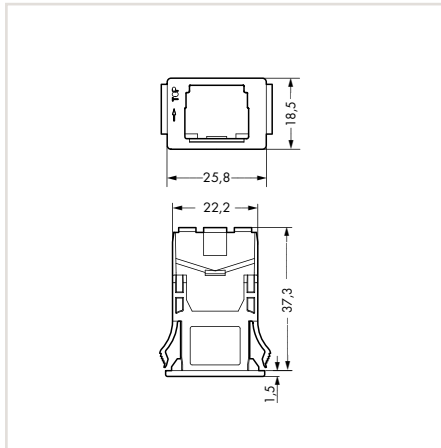
Insert the socket or plug into the frame (observe the "TOP" marking on the frame!), then snap the assembled unit into the cutout (example shows a 3-pole connector).



Dimensions (in mm):



Dimensions (in mm):



Snap-in frame,  
for 2-pole sockets and plugs

Color	Item No.	Pack. Unit
black	770-317	100
white	770-337	100

# WINSTA® MIDI

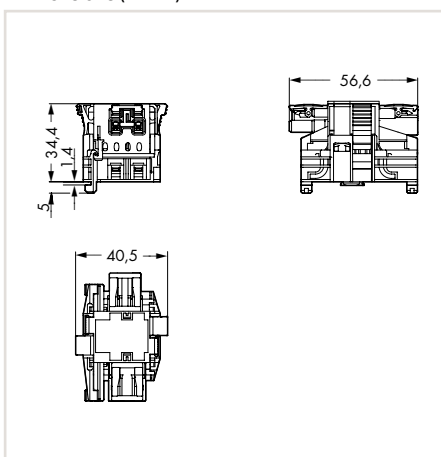
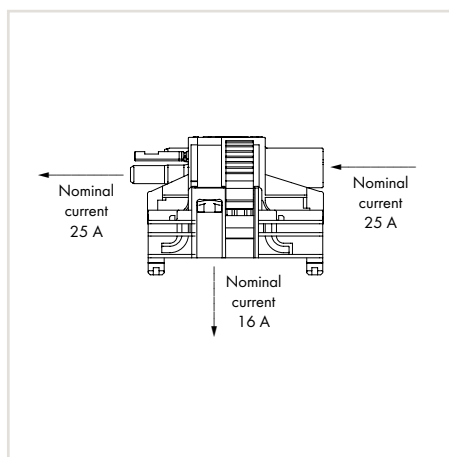
## Linect® T-Distribution Connectors and T-Connectors, 2-Pole 770 Series

Rated voltage	250 V
Rated current	25 A

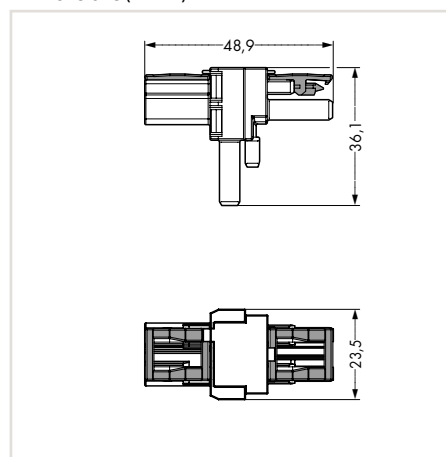
3



Dimensions (in mm):



Dimensions (in mm):



Linect® T-connector, socket – plug, for DALI applications, white housing, blue cover, for lighting connector 294-8032

Color	Item No.	Pack. Unit
● blue	770-7102	20

Linect® T-connector, socket – plug, for DALI applications, white housing, dark gray cover, for lighting connector 294-8022

Color	Item No.	Pack. Unit
● dark gray	770-7502	20

T-distribution connector, 1 x plug/2 x socket

Color	Item No.	Pack. Unit
● black	770-1606	50
○ white	770-1656	50

T-distribution connector, 1 x plug/2 x socket for "flying leads," with 3rd locking lever

Color	Item No.	Pack. Unit
● black	770-1615	50
○ white	770-1665	50

- 770 Series Accessories, see page 355
- Approvals, see www.wago.com
- Coding overview, see page 372

Coding	Marking	Color
A	L N	● black
A	L N	○ white
I	DA+ DA-	● blue
L	L' N'	● dark gray

## WINSTA® MIDI

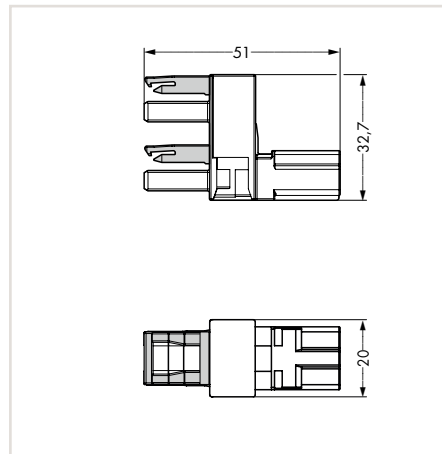
### h-Distribution Connectors, 2-Pole

### 770 Series

Rated voltage	250 V
Rated current	25 A



Dimensions (in mm):



h-distribution connector, unidirectional,  
plug/socket – socket

Color	Item No.	Pack. Unit
● black	770-1634	50
○ white	770-1684	50

h-distribution connector, unidirectional,  
plug/socket – socket,  
for “flying leads,”  
with 3rd locking lever

Color	Item No.	Pack. Unit
● black	770-1636	50
○ white	770-1686	50

Coding	Marking	Color
A	L N	● black
A	L N	○ white

# WINSTA® MIDI

## Cable Assemblies 2 x 1.5 mm<sup>2</sup>, PVC

### 771 Series

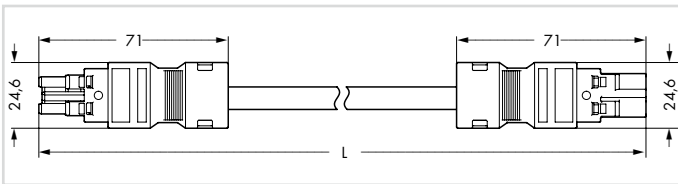
PVC	H05VV-F 2x1.5
-----	---------------

Rated voltage	250 V
Rated current	16 A
Strip length	9 mm / 0.35 inch
Conductor preparation	tip-bonded

3



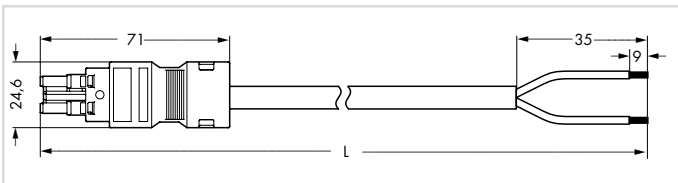
Dimensions (in mm):



Interconnecting cable, socket – plug, PVC, A-coding			
Length	● black	○ white	Pack. Unit
1 m	771-8992/006-101	771-8992/006-102	1
2 m	771-8992/006-201	771-8992/006-202	1
3 m	771-8992/006-301	771-8992/006-302	1
4 m	771-8992/006-401	771-8992/006-402	1
5 m	771-8992/006-501	771-8992/006-502	1
6 m	771-8992/006-601	771-8992/006-602	1
7 m	771-8992/006-701	771-8992/006-702	1
8 m	771-8992/006-801	771-8992/006-802	1



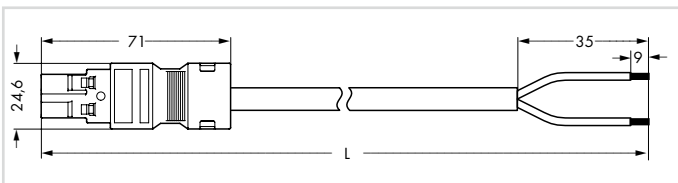
Dimensions (in mm):



Connecting cable, socket – free end, PVC, A-coding			
Length	● black	○ white	Pack. Unit
1 m	771-8992/106-101	771-8992/106-102	1
2 m	771-8992/106-201	771-8992/106-202	1
3 m	771-8992/106-301	771-8992/106-302	1
4 m	771-8992/106-401	771-8992/106-402	1
5 m	771-8992/106-501	771-8992/106-502	1
6 m	771-8992/106-601	771-8992/106-602	1
7 m	771-8992/106-701	771-8992/106-702	1
8 m	771-8992/106-801	771-8992/106-802	1



Dimensions (in mm):



Connecting cable, plug – free end, PVC, A-coding			
Length	● black	○ white	Pack. Unit
1 m	771-8992/206-101	771-8992/206-102	1
2 m	771-8992/206-201	771-8992/206-202	1
3 m	771-8992/206-301	771-8992/206-302	1
4 m	771-8992/206-401	771-8992/206-402	1
5 m	771-8992/206-501	771-8992/206-502	1
6 m	771-8992/206-601	771-8992/206-602	1
7 m	771-8992/206-701	771-8992/206-702	1
8 m	771-8992/206-801	771-8992/206-802	1

Additional cable lengths available upon request.

- 771 Series Accessories, see page 355
- Approvals, see www.wago.com
- Codings, see page 372

Coding	Marking	Color
A	L N	● black
A	L N	○ white

## WINSTA® MIDI

### Cable Assemblies 2 x 1.5 mm<sup>2</sup>, Halogen-Free

#### 771 Series

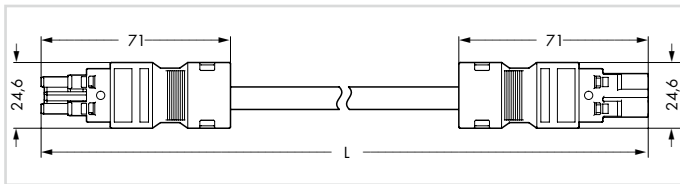
halogen-free

H05Z1Z1-F 2x1.5

Rated voltage	250 V
Rated current	16 A
Strip length	9 mm / 0.35 inch
Conductor preparation	tip-bonded



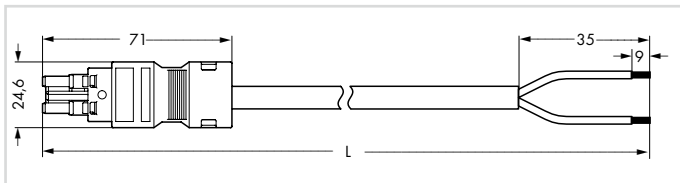
Dimensions (in mm):

Interconnecting cable,  
socket – plug, halogen-free, A-coding

Length	● black ○ white		Pack. Unit
	● black	○ white	
1 m	771-8992/016-101	771-8992/016-102	1
2 m	771-8992/016-201	771-8992/016-202	1
3 m	771-8992/016-301	771-8992/016-302	1
4 m	771-8992/016-401	771-8992/016-402	1
5 m	771-8992/016-501	771-8992/016-502	1
6 m	771-8992/016-601	771-8992/016-602	1
7 m	771-8992/016-701	771-8992/016-702	1
8 m	771-8992/016-801	771-8992/016-802	1



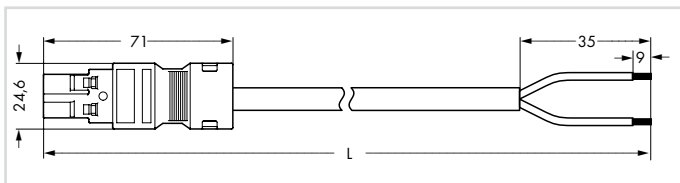
Dimensions (in mm):

Connecting cable,  
socket – free end, halogen-free, A-coding

Length	● black ○ white		Pack. Unit
	● black	○ white	
1 m	771-8992/116-101	771-8992/116-102	1
2 m	771-8992/116-201	771-8992/116-202	1
3 m	771-8992/116-301	771-8992/116-302	1
4 m	771-8992/116-401	771-8992/116-402	1
5 m	771-8992/116-501	771-8992/116-502	1
6 m	771-8992/116-601	771-8992/116-602	1
7 m	771-8992/116-701	771-8992/116-702	1
8 m	771-8992/116-801	771-8992/116-802	1



Dimensions (in mm):

Connecting cable,  
plug – free end, halogen-free, A-coding

Length	● black ○ white		Pack. Unit
	● black	○ white	
1 m	771-8992/216-101	771-8992/216-102	1
2 m	771-8992/216-201	771-8992/216-202	1
3 m	771-8992/216-301	771-8992/216-302	1
4 m	771-8992/216-401	771-8992/216-402	1
5 m	771-8992/216-501	771-8992/216-502	1
6 m	771-8992/216-601	771-8992/216-602	1
7 m	771-8992/216-701	771-8992/216-702	1
8 m	771-8992/216-801	771-8992/216-802	1

Coding

A

A

Marking

L N

L N

Color

● black

○ white

3

# WINSTA® MIDI

## Cable Assemblies 2 x 1.5 mm<sup>2</sup>, PVC

### 771 Series

PVC	H05VV-F 2x1.5
-----	---------------

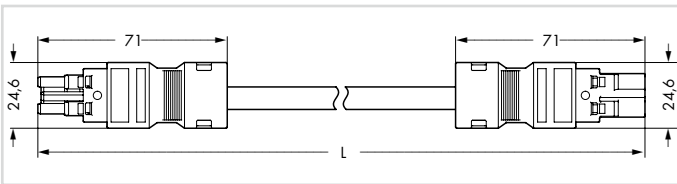
Rated voltage	250 V
Rated current	16 A
Strip length	9 mm / 0.35 inch
Conductor preparation	tip-bonded



Interconnecting cable, socket – plug, for dimming functions (e.g., DALI), PVC, I-coding

Length	● black	○ white	Pack. Unit
1 m	771-8982/006-101	771-8982/006-102	1
2 m	771-8982/006-201	771-8982/006-202	1
3 m	771-8982/006-301	771-8982/006-302	1
4 m	771-8982/006-401	771-8982/006-402	1
5 m	771-8982/006-501	771-8982/006-502	1
6 m	771-8982/006-601	771-8982/006-602	1
7 m	771-8982/006-701	771-8982/006-702	1
8 m	771-8982/006-801	771-8982/006-802	1

Dimensions (in mm):



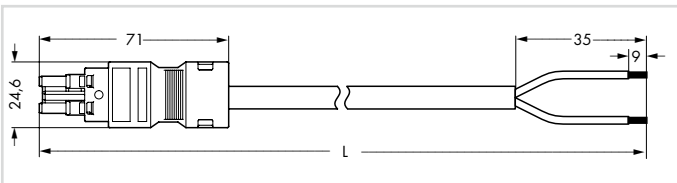
3

Connecting cable, socket – free end, for dimming functions (e.g., DALI), PVC, I-coding

Length	● black	○ white	Pack. Unit
1 m	771-8982/106-101	771-8982/106-102	1
2 m	771-8982/106-201	771-8982/106-202	1
3 m	771-8982/106-301	771-8982/106-302	1
4 m	771-8982/106-401	771-8982/106-402	1
5 m	771-8982/106-501	771-8982/106-502	1
6 m	771-8982/106-601	771-8982/106-602	1
7 m	771-8982/106-701	771-8982/106-702	1
8 m	771-8982/106-801	771-8982/106-802	1



Dimensions (in mm):

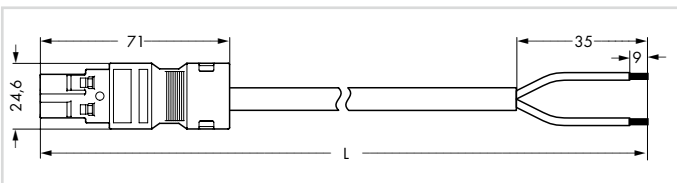


Connecting cable, plug – free end, for dimming functions (e.g., DALI), PVC, I-coding

Length	● black	○ white	Pack. Unit
1 m	771-8982/206-101	771-8982/206-102	1
2 m	771-8982/206-201	771-8982/206-202	1
3 m	771-8982/206-301	771-8982/206-302	1
4 m	771-8982/206-401	771-8982/206-402	1
5 m	771-8982/206-501	771-8982/206-502	1
6 m	771-8982/206-601	771-8982/206-602	1
7 m	771-8982/206-701	771-8982/206-702	1
8 m	771-8982/206-801	771-8982/206-802	1



Dimensions (in mm):



Additional cable lengths available upon request.

771 Series Accessories, see page 355

Approvals, see www.wago.com

Codings, see page 372

Coding	Marking	Color
I	DA+ DA-	● blue

# WINSTA® MIDI

## Cable Assemblies 2 x 1.5 mm<sup>2</sup>, Halogen-Free

### 771 Series

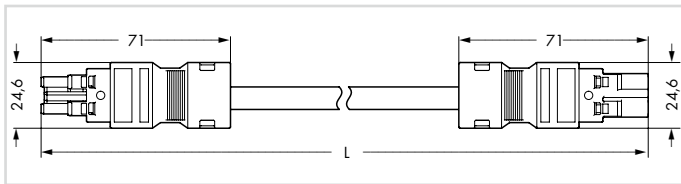
halogen-free

H05Z1Z1-F 2x1.5

Rated voltage	250 V
Rated current	16 A
Strip length	9 mm / 0.35 inch
Conductor preparation	tip-bonded



Dimensions (in mm):



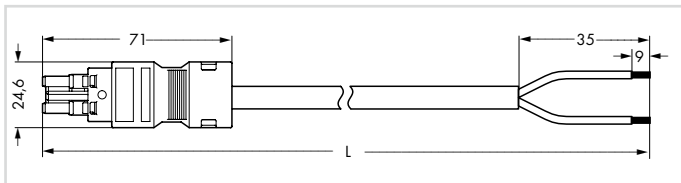
Interconnecting cable, socket – plug, for dimming functions (e.g., DALI), halogen-free, I-coding

Length	● black	○ white	Pack. Unit
1 m	771-8982/016-101	771-8982/016-102	1
2 m	771-8982/016-201	771-8982/016-202	1
3 m	771-8982/016-301	771-8982/016-302	1
4 m	771-8982/016-401	771-8982/016-402	1
5 m	771-8982/016-501	771-8982/016-502	1
6 m	771-8982/016-601	771-8982/016-602	1
7 m	771-8982/016-701	771-8982/016-702	1
8 m	771-8982/016-801	771-8982/016-802	1

3



Dimensions (in mm):

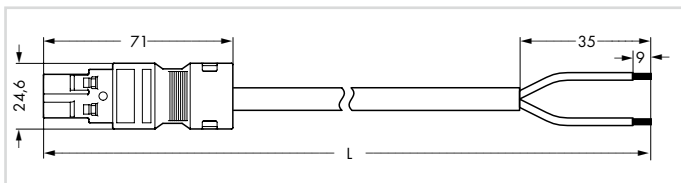


Connecting cable, socket – free end, for dimming functions (e.g., DALI), halogen-free, I-coding

Length	● black	○ white	Pack. Unit
1 m	771-8982/116-101	771-8982/116-102	1
2 m	771-8982/116-201	771-8982/116-202	1
3 m	771-8982/116-301	771-8982/116-302	1
4 m	771-8982/116-401	771-8982/116-402	1
5 m	771-8982/116-501	771-8982/116-502	1
6 m	771-8982/116-601	771-8982/116-602	1
7 m	771-8982/116-701	771-8982/116-702	1
8 m	771-8982/116-801	771-8982/116-802	1



Dimensions (in mm):



Connecting cable, plug – free end, for dimming functions (e.g., DALI), halogen-free, I-coding

Length	● black	○ white	Pack. Unit
1 m	771-8982/216-101	771-8982/216-102	1
2 m	771-8982/216-201	771-8982/216-202	1
3 m	771-8982/216-301	771-8982/216-302	1
4 m	771-8982/216-401	771-8982/216-402	1
5 m	771-8982/216-501	771-8982/216-502	1
6 m	771-8982/216-601	771-8982/216-602	1
7 m	771-8982/216-701	771-8982/216-702	1
8 m	771-8982/216-801	771-8982/216-802	1

Coding	Marking	Color
I	DA+ DA-	● blue

# WINSTA® MIDI

## Cable Assemblies 2 x 1.5 mm<sup>2</sup>, PVC

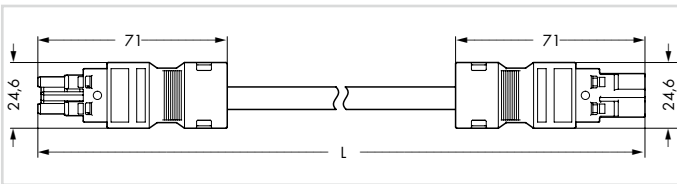
### 771 Series

PVC	H05VV-F 2x1.5
-----	---------------

Rated voltage	250 V
Rated current	16 A
Strip length	9 mm / 0.35 inch
Conductor preparation	tip-bonded



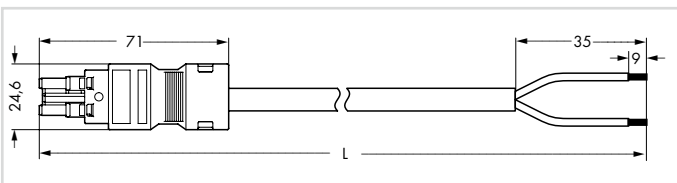
Dimensions (in mm):



Interconnecting cable, socket – plug, PVC, L-coding			
Length	● black	○ white	Pack. Unit
1 m	771-8982/006-103	771-8982/006-104	1
2 m	771-8982/006-203	771-8982/006-204	1
3 m	771-8982/006-303	771-8982/006-304	1
4 m	771-8982/006-403	771-8982/006-404	1
5 m	771-8982/006-503	771-8982/006-504	1
6 m	771-8982/006-603	771-8982/006-604	1
7 m	771-8982/006-703	771-8982/006-704	1
8 m	771-8982/006-803	771-8982/006-804	1



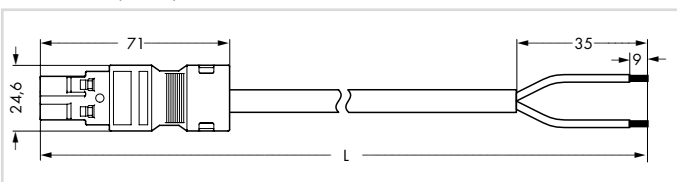
Dimensions (in mm):



Connecting cable, socket – free end, PVC, L-coding			
Length	● black	○ white	Pack. Unit
1 m	771-8982/106-103	771-8982/106-104	1
2 m	771-8982/106-203	771-8982/106-204	1
3 m	771-8982/106-303	771-8982/106-304	1
4 m	771-8982/106-403	771-8982/106-404	1
5 m	771-8982/106-503	771-8982/106-504	1
6 m	771-8982/106-603	771-8982/106-604	1
7 m	771-8982/106-703	771-8982/106-704	1
8 m	771-8982/106-803	771-8982/106-804	1



Dimensions (in mm):



Connecting cable, plug – free end, PVC, L-coding			
Length	● black	○ white	Pack. Unit
1 m	771-8982/206-103	771-8982/206-104	1
2 m	771-8982/206-203	771-8982/206-204	1
3 m	771-8982/206-303	771-8982/206-304	1
4 m	771-8982/206-403	771-8982/206-404	1
5 m	771-8982/206-503	771-8982/206-504	1
6 m	771-8982/206-603	771-8982/206-604	1
7 m	771-8982/206-703	771-8982/206-704	1
8 m	771-8982/206-803	771-8982/206-804	1

Additional cable lengths available upon request.

771 Series Accessories, see page 355

Approvals, see www.wago.com

Codings, see page 372

Coding	Marking	Color
L	L' N'	● dark gray



# WINSTA® MIDI

## Cable Assemblies 2 x 1.5 mm<sup>2</sup>, Halogen-Free

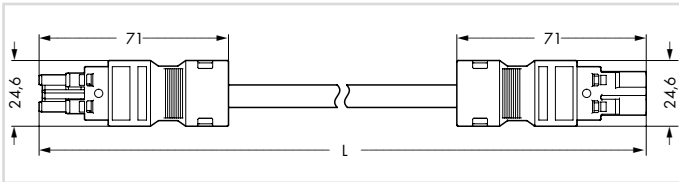
### 771 Series

halogen-free	H05Z1Z1-F 2x1.5
--------------	-----------------

Rated voltage	250 V
Rated current	16 A
Strip length	9 mm / 0.35 inch
Conductor preparation	tip-bonded



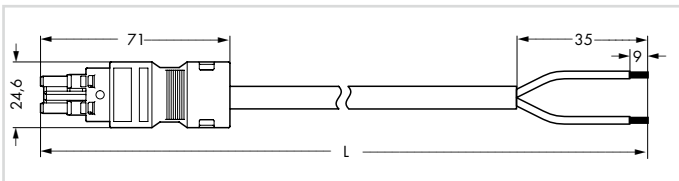
Dimensions (in mm):



Interconnecting cable, socket – plug, halogen-free, L-coding			
Length	● black	○ white	Pack. Unit
1 m	771-8982/016-103	771-8982/016-104	1
2 m	771-8982/016-203	771-8982/016-204	1
3 m	771-8982/016-303	771-8982/016-304	1
4 m	771-8982/016-403	771-8982/016-404	1
5 m	771-8982/016-503	771-8982/016-504	1
6 m	771-8982/016-603	771-8982/016-604	1
7 m	771-8982/016-703	771-8982/016-704	1
8 m	771-8982/016-803	771-8982/016-804	1



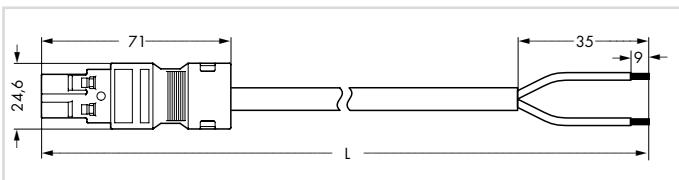
Dimensions (in mm):



Connecting cable, socket – free end, halogen-free, L-coding			
Length	● black	○ white	Pack. Unit
1 m	771-8982/116-103	771-8982/116-104	1
2 m	771-8982/116-203	771-8982/116-204	1
3 m	771-8982/116-303	771-8982/116-304	1
4 m	771-8982/116-403	771-8982/116-404	1
5 m	771-8982/116-503	771-8982/116-504	1
6 m	771-8982/116-603	771-8982/116-604	1
7 m	771-8982/116-703	771-8982/116-704	1
8 m	771-8982/116-803	771-8982/116-804	1



Dimensions (in mm):



Connecting cable, plug – free end, halogen-free, L-coding			
Length	● black	○ white	Pack. Unit
1 m	771-8982/216-103	771-8982/216-104	1
2 m	771-8982/216-203	771-8982/216-204	1
3 m	771-8982/216-303	771-8982/216-304	1
4 m	771-8982/216-403	771-8982/216-404	1
5 m	771-8982/216-503	771-8982/216-504	1
6 m	771-8982/216-603	771-8982/216-604	1
7 m	771-8982/216-703	771-8982/216-704	1
8 m	771-8982/216-803	771-8982/216-804	1

Coding	Marking	Color
L	L' N'	● dark gray

# WINSTA® MIDI

## Cable Assemblies 2 x 2.5 mm<sup>2</sup>, PVC

### 771 Series

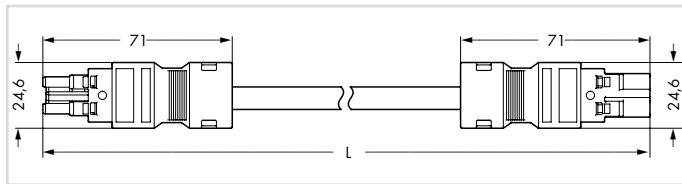
PVC	H05VV-F 2x2.5
-----	---------------

Rated voltage	250 V
Rated current	20 A
Strip length	9 mm / 0.35 inch
Conductor preparation	tip-bonded

3



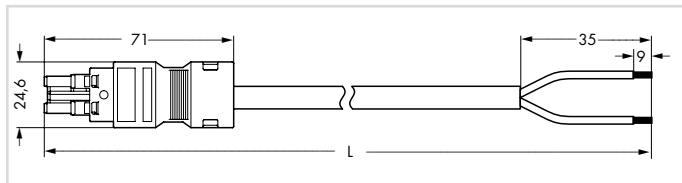
Dimensions (in mm):



Interconnecting cable, socket – plug, PVC, A-coding			
Length	● black	○ white	Pack. Unit
1 m	771-8992/007-101	771-8992/007-102	1
2 m	771-8992/007-201	771-8992/007-202	1
3 m	771-8992/007-301	771-8992/007-302	1
4 m	771-8992/007-401	771-8992/007-402	1
5 m	771-8992/007-501	771-8992/007-502	1
6 m	771-8992/007-601	771-8992/007-602	1
7 m	771-8992/007-701	771-8992/007-702	1
8 m	771-8992/007-801	771-8992/007-802	1



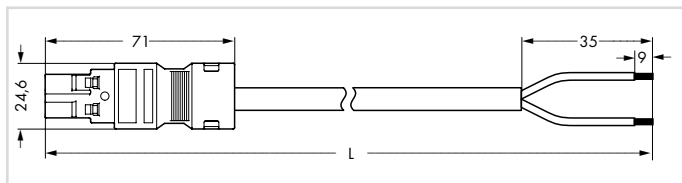
Dimensions (in mm):



Connecting cable, socket – free end, PVC, A-coding			
Length	● black	○ white	Pack. Unit
1 m	771-8992/107-101	771-8992/107-102	1
2 m	771-8992/107-201	771-8992/107-202	1
3 m	771-8992/107-301	771-8992/107-302	1
4 m	771-8992/107-401	771-8992/107-402	1
5 m	771-8992/107-501	771-8992/107-502	1
6 m	771-8992/107-601	771-8992/107-602	1
7 m	771-8992/107-701	771-8992/107-702	1
8 m	771-8992/107-801	771-8992/107-802	1



Dimensions (in mm):



Connecting cable, plug – free end, PVC, A-coding			
Length	● black	○ white	Pack. Unit
1 m	771-8992/207-101	771-8992/207-102	1
2 m	771-8992/207-201	771-8992/207-202	1
3 m	771-8992/207-301	771-8992/207-302	1
4 m	771-8992/207-401	771-8992/207-402	1
5 m	771-8992/207-501	771-8992/207-502	1
6 m	771-8992/207-601	771-8992/207-602	1
7 m	771-8992/207-701	771-8992/207-702	1
8 m	771-8992/207-801	771-8992/207-802	1

Additional cable lengths available upon request.

771 Series Accessories, see page 355

Approvals, see www.wago.com

Codings, see page 372

Coding	Marking	Color
A	L N	● black
A	L N	○ white

## WINSTA® MIDI

### Cable Assemblies 2 x 2.5 mm<sup>2</sup>, Halogen-Free

#### 771 Series

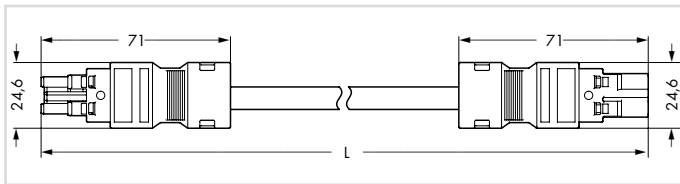
halogen-free

H05Z1Z1-F 2x2.5

Rated voltage	250 V
Rated current	20 A
Strip length	9 mm / 0.35 inch
Conductor preparation	tip-bonded



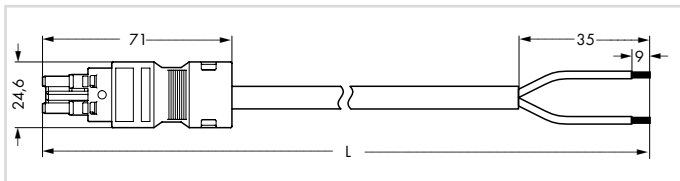
Dimensions (in mm):

Interconnecting cable,  
socket – plug, halogen-free, A-coding

Length	● black ○ white		Pack. Unit
	● black	○ white	
1 m	771-8992/017-101	771-8992/017-102	1
2 m	771-8992/017-201	771-8992/017-202	1
3 m	771-8992/017-301	771-8992/017-302	1
4 m	771-8992/017-401	771-8992/017-402	1
5 m	771-8992/017-501	771-8992/017-502	1
6 m	771-8992/017-601	771-8992/017-602	1
7 m	771-8992/017-701	771-8992/017-702	1
8 m	771-8992/017-801	771-8992/017-802	1



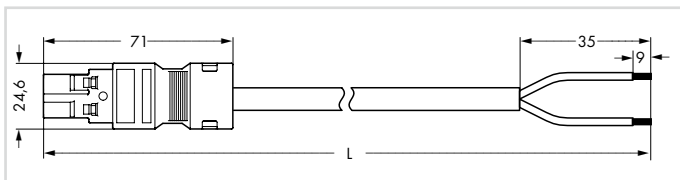
Dimensions (in mm):

Connecting cable,  
socket – free end, halogen-free, A-coding

Length	● black ○ white		Pack. Unit
	● black	○ white	
1 m	771-8992/117-101	771-8992/117-102	1
2 m	771-8992/117-201	771-8992/117-202	1
3 m	771-8992/117-301	771-8992/117-302	1
4 m	771-8992/117-401	771-8992/117-402	1
5 m	771-8992/117-501	771-8992/117-502	1
6 m	771-8992/117-601	771-8992/117-602	1
7 m	771-8992/117-701	771-8992/117-702	1
8 m	771-8992/117-801	771-8992/117-802	1



Dimensions (in mm):

Connecting cable,  
plug – free end, halogen-free, A-coding

Length	● black ○ white		Pack. Unit
	● black	○ white	
1 m	771-8992/217-101	771-8992/217-102	1
2 m	771-8992/217-201	771-8992/217-202	1
3 m	771-8992/217-301	771-8992/217-302	1
4 m	771-8992/217-401	771-8992/217-402	1
5 m	771-8992/217-501	771-8992/217-502	1
6 m	771-8992/217-601	771-8992/217-602	1
7 m	771-8992/217-701	771-8992/217-702	1
8 m	771-8992/217-801	771-8992/217-802	1

Coding

A

A

Marking

L N

L N

Color

● black

○ white

3

# WINSTA® MIDI

## Cable Assemblies 2 x 2.5 mm<sup>2</sup>, PVC

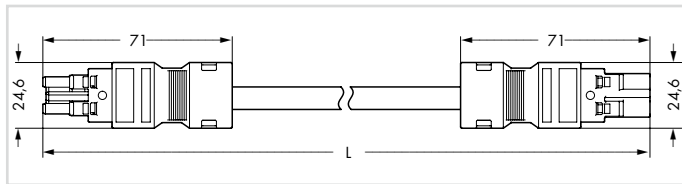
### 771 Series

PVC	H05VV-F 2x2.5
-----	---------------

Rated voltage	250 V
Rated current	20 A
Strip length	9 mm / 0.35 inch
Conductor preparation	tip-bonded



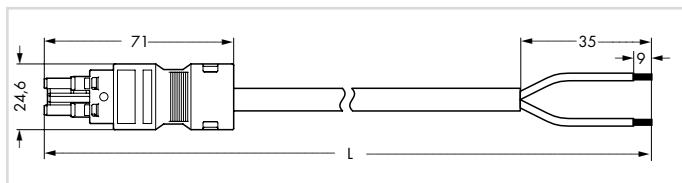
Dimensions (in mm):



Interconnecting cable, socket – plug, PVC, L-coding			
Length	● black	○ white	Pack. Unit
1 m	771-8982/007-103	771-8982/007-104	1
2 m	771-8982/007-203	771-8982/007-204	1
3 m	771-8982/007-303	771-8982/007-304	1
4 m	771-8982/007-403	771-8982/007-404	1
5 m	771-8982/007-503	771-8982/007-504	1
6 m	771-8982/007-603	771-8982/007-604	1
7 m	771-8982/007-703	771-8982/007-704	1
8 m	771-8982/007-803	771-8982/007-804	1



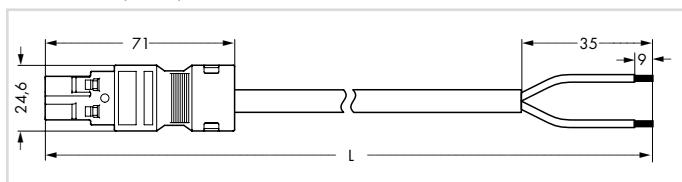
Dimensions (in mm):



Connecting cable, socket – free end, PVC, L-coding			
Length	● black	○ white	Pack. Unit
1 m	771-8982/107-103	771-8982/107-104	1
2 m	771-8982/107-203	771-8982/107-204	1
3 m	771-8982/107-303	771-8982/107-304	1
4 m	771-8982/107-403	771-8982/107-404	1
5 m	771-8982/107-503	771-8982/107-504	1
6 m	771-8982/107-603	771-8982/107-604	1
7 m	771-8982/107-703	771-8982/107-704	1
8 m	771-8982/107-803	771-8982/107-804	1



Dimensions (in mm):



Connecting cable, plug – free end, PVC, L-coding			
Length	● black	○ white	Pack. Unit
1 m	771-8982/207-103	771-8982/207-104	1
2 m	771-8982/207-203	771-8982/207-204	1
3 m	771-8982/207-303	771-8982/207-304	1
4 m	771-8982/207-403	771-8982/207-404	1
5 m	771-8982/207-503	771-8982/207-504	1
6 m	771-8982/207-603	771-8982/207-604	1
7 m	771-8982/207-703	771-8982/207-704	1
8 m	771-8982/207-803	771-8982/207-804	1

Additional cable lengths available upon request.

771 Series Accessories, see page 355

Approvals, see www.wago.com

Codings, see page 372

Coding	Marking	Color
L	L' N'	● dark gray

## WINSTA® MIDI

### Cable Assemblies 2 x 2.5 mm<sup>2</sup>, Halogen-Free

#### 771 Series

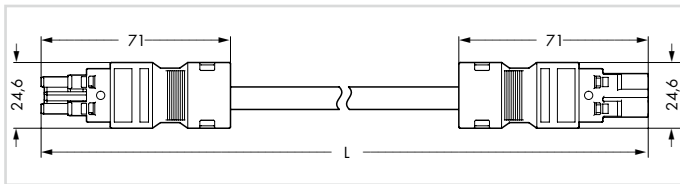
halogen-free

H05Z1Z1-F 2x2.5

Rated voltage	250 V
Rated current	20 A
Strip length	9 mm / 0.35 inch
Conductor preparation	tip-bonded



Dimensions (in mm):

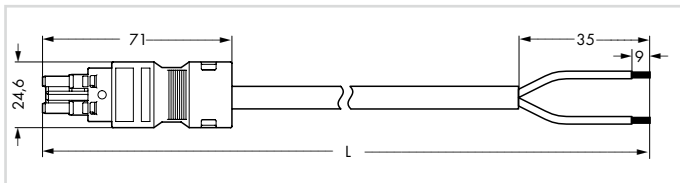
Interconnecting cable,  
socket – plug, halogen-free, L-coding

Length	● black	○ white	Pack. Unit
1 m	771-8982/017-103	771-8982/017-104	1
2 m	771-8982/017-203	771-8982/017-204	1
3 m	771-8982/017-303	771-8982/017-304	1
4 m	771-8982/017-403	771-8982/017-404	1
5 m	771-8982/017-503	771-8982/017-504	1
6 m	771-8982/017-603	771-8982/017-604	1
7 m	771-8982/017-703	771-8982/017-704	1
8 m	771-8982/017-803	771-8982/017-804	1

3



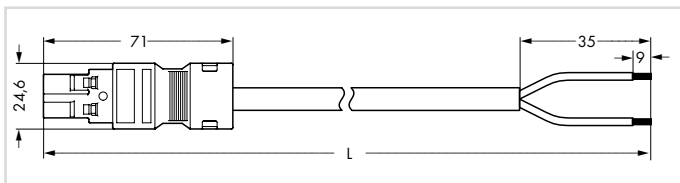
Dimensions (in mm):

Connecting cable,  
socket – free end, halogen-free, L-coding

Length	● black	○ white	Pack. Unit
1 m	771-8982/117-103	771-8982/117-104	1
2 m	771-8982/117-203	771-8982/117-204	1
3 m	771-8982/117-303	771-8982/117-304	1
4 m	771-8982/117-403	771-8982/117-404	1
5 m	771-8982/117-503	771-8982/117-504	1
6 m	771-8982/117-603	771-8982/117-604	1
7 m	771-8982/117-703	771-8982/117-704	1
8 m	771-8982/117-803	771-8982/117-804	1



Dimensions (in mm):

Connecting cable,  
plug – free end, halogen-free, L-coding

Length	● black	○ white	Pack. Unit
1 m	771-8982/217-103	771-8982/217-104	1
2 m	771-8982/217-203	771-8982/217-204	1
3 m	771-8982/217-303	771-8982/217-304	1
4 m	771-8982/217-403	771-8982/217-404	1
5 m	771-8982/217-503	771-8982/217-504	1
6 m	771-8982/217-603	771-8982/217-604	1
7 m	771-8982/217-703	771-8982/217-704	1
8 m	771-8982/217-803	771-8982/217-804	1

Coding

L

Marking

L' N'

Color

● dark gray

# WINSTA® MIDI

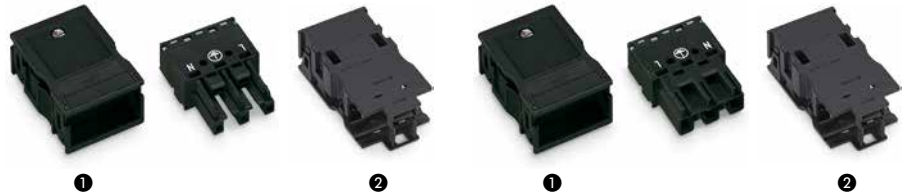
## Sockets and Plugs, 3-Pole 770 Series



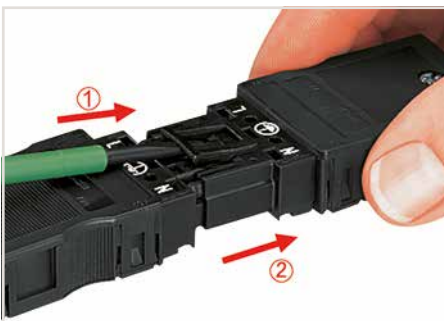
Snap on locking lever. Observe direction!

3

Conductor range, solid and fine-stranded	0.5 ... 4 mm <sup>2</sup> / 20 ... 12 AWG
Conductor range, stranded	0.5 ... 2.5 mm <sup>2</sup> / 20 ... 14 AWG
Rated voltage	250 V
Rated current	25 A
Strip length	9 mm / 0.35 inch

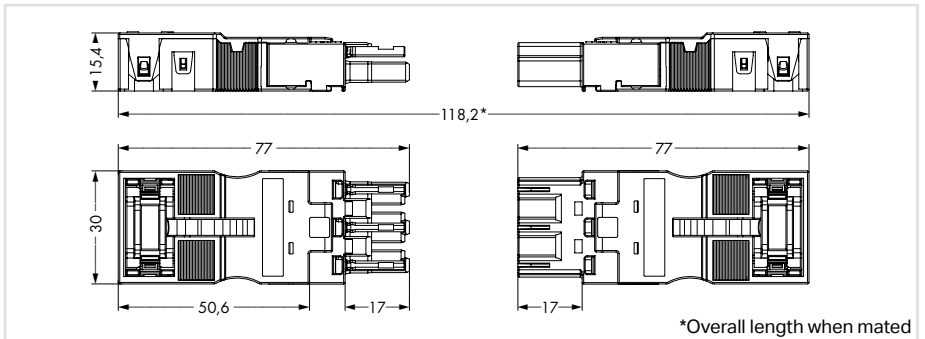
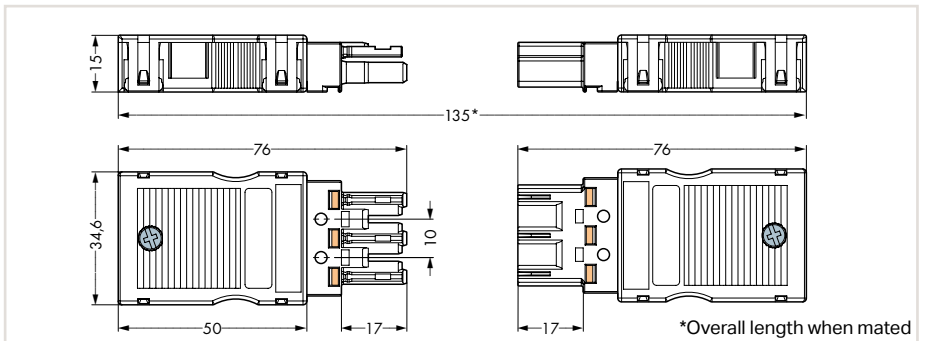


Locking lever, manually operated:  
 • Push on locking lever  
 • Pull the connectors apart



Locking lever, tool operated:  
 • Unlatch locking lever  
 • Pull the connectors apart

Dimensions (in mm):



Socket, with strain relief housing, ①  
 for two cables,  
 8 ... 11.5 mm cable diameter,  
 55 mm strip length

Color	Item No.	Pack. Unit
● black	770-103	25
○ white	770-123	25

Plug, with strain relief housing, ①  
 for two cables,  
 8 ... 11.5 mm cable diameter,  
 55 mm strip length

Color	Item No.	Pack. Unit
● black	770-113	25
○ white	770-133	25

Socket, with strain relief housing, ②  
 for quick assembly, for one cable,  
 7 ... 11.5 mm cable diameter,  
 48 mm strip length

Color	Item No.	Pack. Unit
● black	770-203/035-000	25
○ white	770-223/035-050	25

Plug, with strain relief housing, ②  
 for quick assembly, for one cable,  
 7 ... 11.5 mm cable diameter,  
 48 mm strip length

Color	Item No.	Pack. Unit
● black	770-213/035-000	25
○ white	770-233/035-050	25

**Note:**

All connectors for fixed installations (snap-in versions for lighting fixtures or devices, all types of PCB and distribution connectors) are factory-equipped with locking levers to ensure plugs and sockets are securely locked. Additional locking levers are only required for "flying leads" (plug/socket).

770 Series Accessories, see page 355

Approvals see www.wago.com

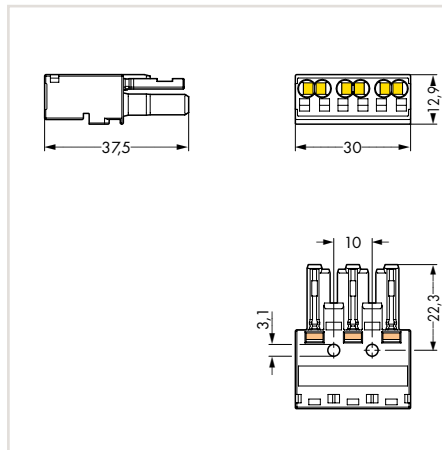
Coding overview, see page 372

Coding	Marking	Color
A	L ⊕ N	● black
A	L ⊕ N	○ white

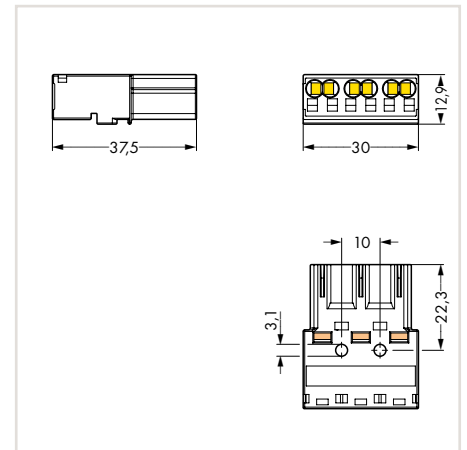
Conductor range, solid and fine-stranded	0.5 ... 4 mm <sup>2</sup> / 20 ... 12 AWG
Conductor range, stranded	0.5 ... 2.5 mm <sup>2</sup> / 20 ... 14 AWG
Rated voltage	250 V
Rated current	25 A
Strip length	9 mm / 0.35 inch



Dimensions (in mm):



Dimensions (in mm):


**Socket,  
without strain relief housing**

Color	Item No.	Pack. Unit
● black	770-203	100
○ white	770-223	100
● red	770-1303	100
● orange	770-1343	100
● brown	770-1363	100

**Plug,  
without strain relief housing**

Color	Item No.	Pack. Unit
● black	770-213	50
○ white	770-233	50
● red	770-1313	100
● orange	770-1353	100
● brown	770-1373	100

Coding	Marking	Color
A	L ⊕ N	● black
A	L ⊕ N	○ white
P	L ⊕ N	● red
R	LON LON S	● orange
S	1 2 L	● brown

# WINSTA® MIDI

## Strain Relief Housings for Different Cable Diameters, 3-Pole 770 Series



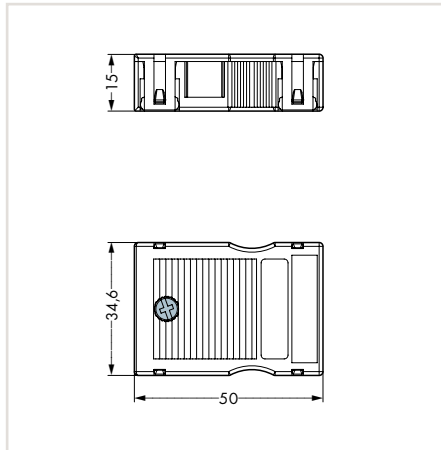
3

Snap-on type strain relief housings for:

- 3-pole sockets
- 3-pole plugs



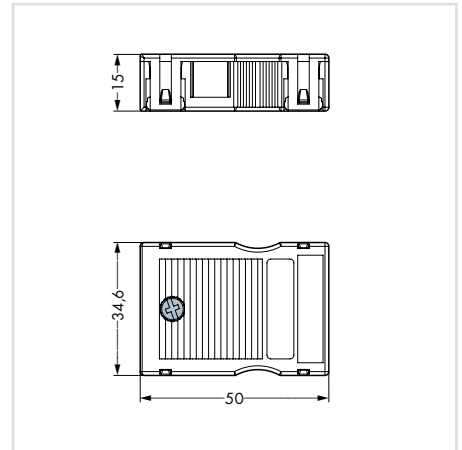
Dimensions (in mm):



Strain relief housing, for two cables, for 4.5 ... 8 mm cable diameter, 55 mm strip length

Color	Item No.	Pack. Unit
black	770-503/023-000	50
white	770-513/023-000	50

Dimensions (in mm):



Strain relief housing, for two cables, for 8 ... 11.5 mm cable diameter, 55 mm strip length

Color	Item No.	Pack. Unit
black	770-503	50
white	770-513	50

All strain relief housings are suitable for H05VV and NYM cables. Other cables are available upon request.

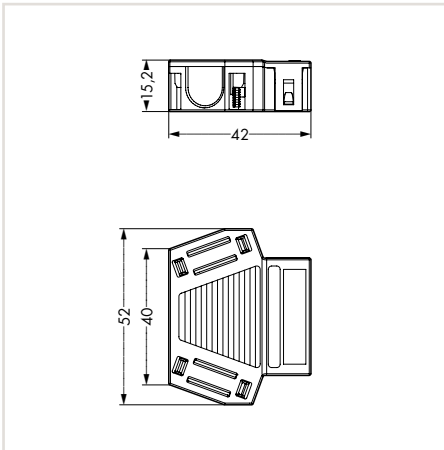
Marking strips, see page 369

Approvals, see www.wago.com





Dimensions (in mm):

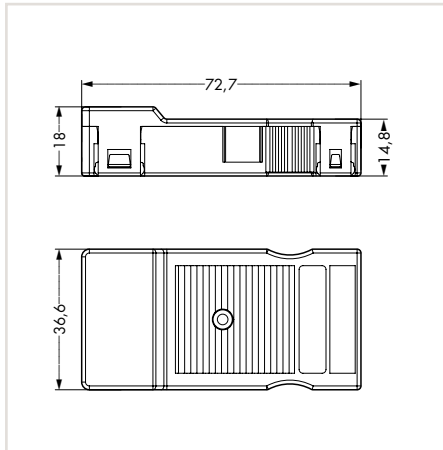


Strain relief housing, angled, for two cables, for 8 ... 11.5 mm cable diameter, 55 mm strip length

Color	Item No.	Pack. Unit
black	770-503/032-000	25
white	770-513/032-000	25



Dimensions (in mm):

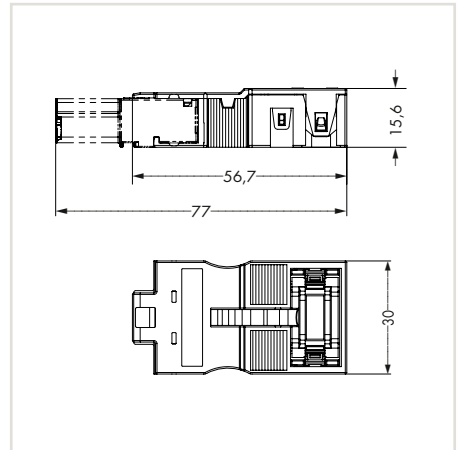


Strain relief housing, for 4 mm<sup>2</sup> cables, for 1 cable, 9 ... 13 mm cable diameter, 71 mm strip length

Color	Item No.	Pack. Unit
black	770-503/021-000	50
white	770-513/021-000	50



Dimensions (in mm):



Strain relief housing, for quick assembly, for one cable, 7 ... 11.5 mm cable diameter, 48 mm strip length

Color	Item No.	Pack. Unit
black	770-503/035-000	50
white	770-513/035-000	50

# WINSTA® MIDI

## Snap-In Sockets and Plugs, 3-Pole

### 770 Series

3

Conductor range, solid and fine-stranded

0.5 ... 4 mm<sup>2</sup> / 20 ... 12 AWG

Conductor range, stranded

0.5 ... 2.5 mm<sup>2</sup> / 20 ... 14 AWG

Rated voltage

250 V

Rated current

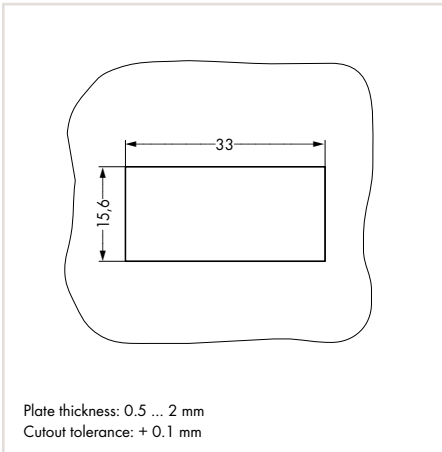
25 A

Strip length

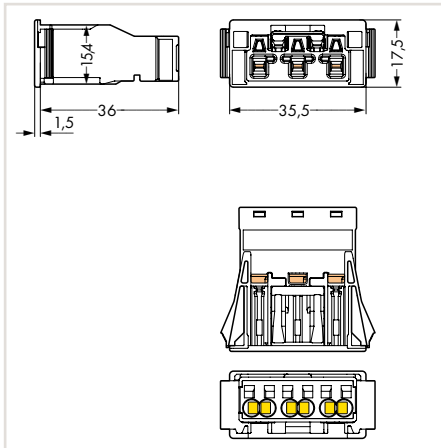
9 mm / 0.35 inch



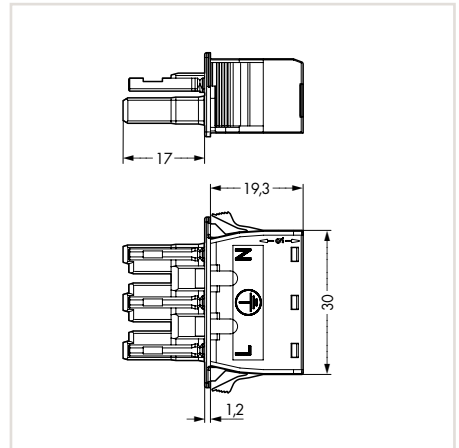
Dimensions (in mm):



Dimensions (in mm):



Dimensions (in mm):



Socket		
Color	Item No.	Pack. Unit
● black	770-703	100
○ white	770-723	100
● red	770-2303	100
● orange	770-2343	100
● brown	770-2363	100

Socket, with protruding interface		
Color	Item No.	Pack. Unit
● black	770-703/009-000	45
○ white	770-723/009-000	45

770 Series Accessories, see page 355

Approvals, see www.wago.com

Coding overview, see page 372

Coding

A

A

P

R

S

Marking

L ⊕ N

L ⊕ N

L ⊕ N

LON LON S

1 2 L

Color

● black

○ white

● red

● orange

● brown



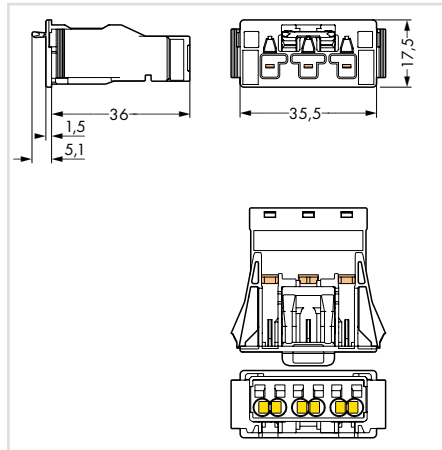
Varnish-piercing direct ground contact (pictures shows a 4-pole connector)

Conductor range, solid and fine-stranded	0.5 ... 4 mm <sup>2</sup> / 20 ... 12 AWG
Conductor range, stranded	0.5 ... 2.5 mm <sup>2</sup> / 20 ... 14 AWG
Rated voltage	250 V
Rated current	25 A
Strip length	9 mm / 0.35 inch

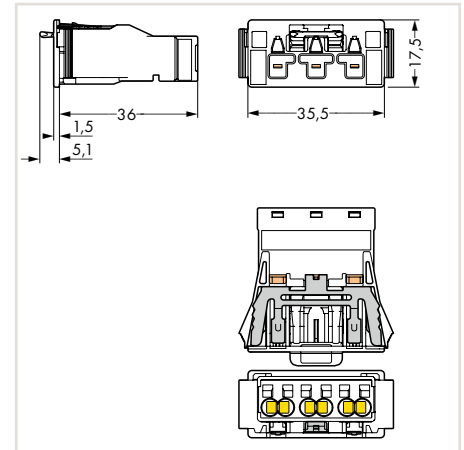


3

Dimensions (in mm):



Dimensions (in mm):



Plugs		
Color	Item No.	Pack. Unit
● black	770-713	100
○ white	770-733	100
● red	770-2313	100
● orange	770-2353	100

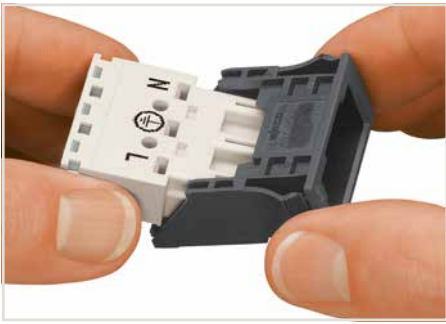
Plug, with direct ground contact		
Color	Item No.	Pack. Unit
● black	770-713/007-000	100
○ white	770-733/007-000	100
● red	770-2313/007-000	100

Coding	Marking	Color
A	L ⊕ N	● black
A	L ⊕ N	○ white
P	L ⊕ N	● red
R	LON LON S	● orange

## WINSTA® MIDI

### Snap-In Frames, 3-Pole

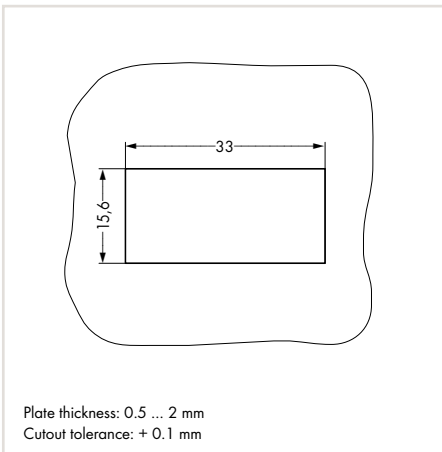
#### 770 Series



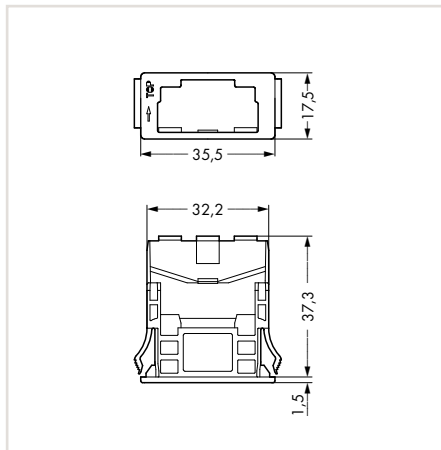
3 Insert the socket or plug into the frame (observe the "TOP" marking on the frame!), then snap the assembled unit into the cutout.



Dimensions (in mm):





Dimensions (in mm):



Snap-in frame,  
for 1 ... 3 mm plate thickness

Color	Item No.	Pack. Unit
black	770-318	100
white	770-338	100

 770 Series Accessories,  
see page 355

 Approvals,  
see [www.wago.com](http://www.wago.com)



## WINSTA® MIDI

### Plugs with Ground Contact, 3-Pole

#### 770 Series



3 Plug with ground contact mounted on luminaire (picture shows a 3-pole plug).

Conductor range, solid and fine-stranded

0.5 ... 4 mm<sup>2</sup> / 20 ... 12 AWG

Conductor range, stranded

0.5 ... 2.5 mm<sup>2</sup> / 20 ... 14 AWG

Rated voltage

250 V

Rated current

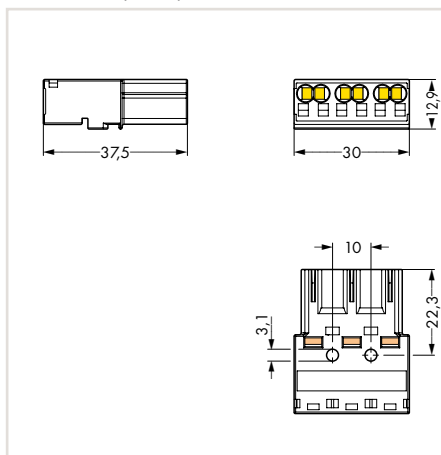
25 A

Strip length

9 mm / 0.35 inch



Dimensions (in mm):



Plug, with direct ground contact,  
without strain relief housing,  
e.g., for assembly on luminaire casings

Color	Item No.	Pack. Unit
● black	770-213/002-000	25
○ white	770-233/002-000	25

770 Series Accessories,  
see page 355

Approvals,  
see www.wago.com

Coding overview,  
see page 372

Coding

A

A

Marking

L ⊕ N

L ⊕ N

Color

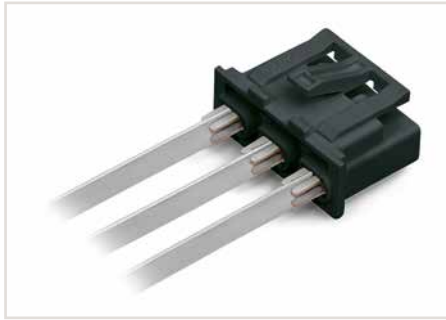
● black

○ white

# WINSTA® MIDI

## Device Connectors, 3-Pole

### 770 Series

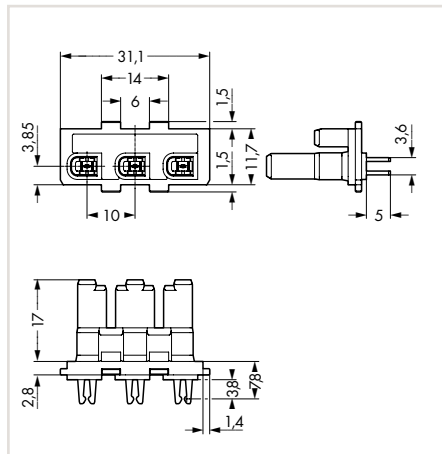


Device connectors can be cost-effectively installed in appropriate guide slots of a housing. Internal electrical connection is performed by contacting the 0.8 mm thick current bars.

Rated voltage	250 V
Rated current	25 A



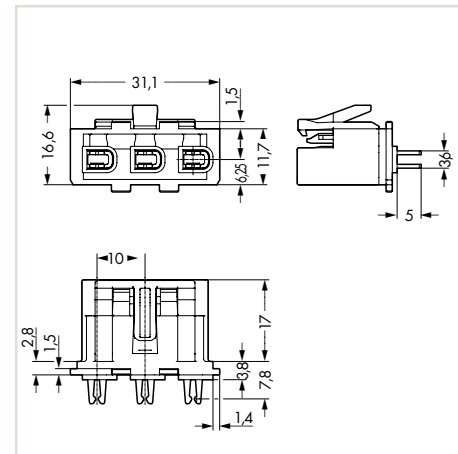
Dimensions (in mm):



Socket module

Color	Item No.	Pack. Unit
● black	770-408	100
○ white	770-428	100

Dimensions (in mm):



Plug module, with locking lever

Color	Item No.	Pack. Unit
● black	770-418	100
○ white	770-438	100

Coding	Marking	Color
A	L ⊕ N	● black
A	L ⊕ N	○ white

# WINSTA® MIDI

## Pluggable PCB Connectors, 3-Pole

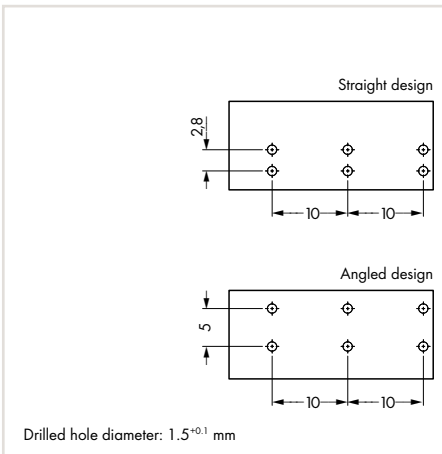
### 770 Series

3

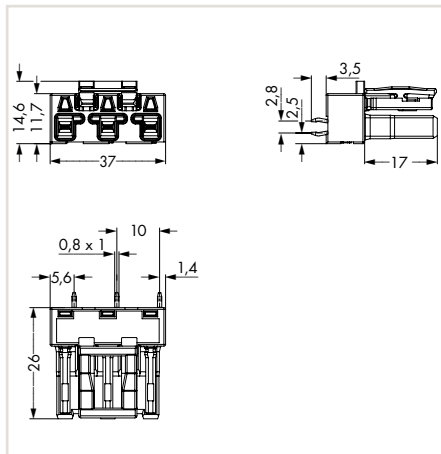
Rated voltage	250 V
Rated current	25 A



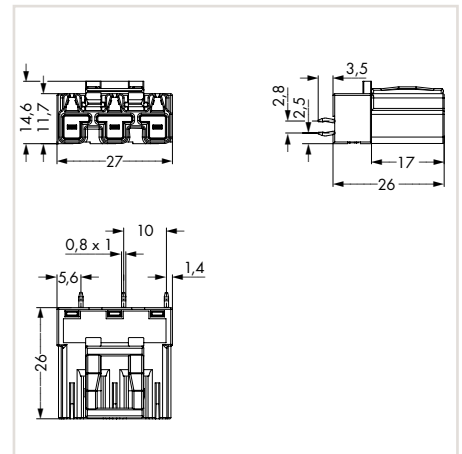
Dimensions (in mm):



Dimensions (in mm):



Dimensions (in mm):



Socket, straight		
Color	Item No.	Pack. Unit
● black	770-803	100
○ white	770-823	100

Plug, straight		
Color	Item No.	Pack. Unit
● black	770-813	100
○ white	770-833	100

770 Series Accessories, see page 355

Approvals, see www.wago.com

Coding overview, see page 372

Coding	Marking	Color
A	L ⊕ N	● black
A	L ⊕ N	○ white

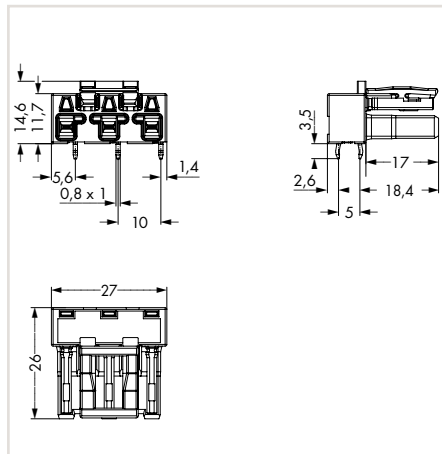


Rated voltage	250 V
Rated current	25 A

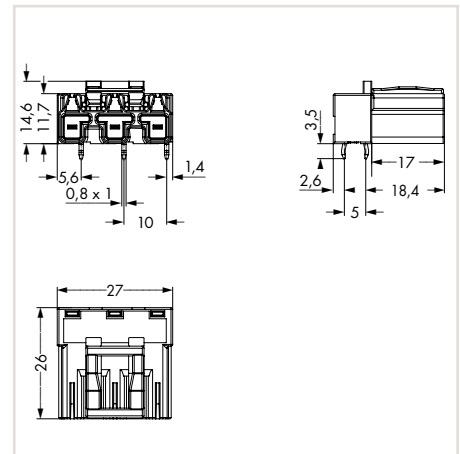


3

Dimensions (in mm):



Dimensions (in mm):



Socket, angled		
Color	Item No.	Pack. Unit
● black	770-803/011-000	100
○ white	770-823/011-000	100

Plug, angled		
Color	Item No.	Pack. Unit
● black	770-813/011-000	100
○ white	770-833/011-000	100

Coding	Marking	Color
A	L ⊕ N	● black
A	L ⊕ N	○ white

# WINSTA® MIDI

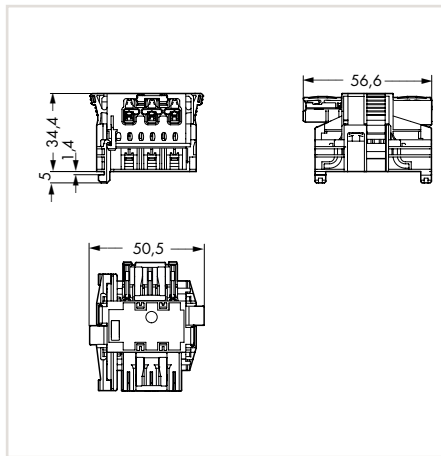
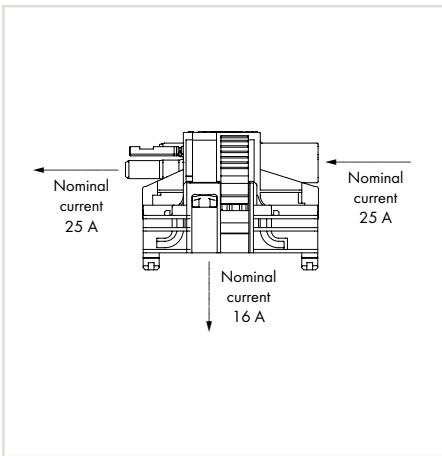
## Linect® T-Distribution Connectors and T-Connectors, 3-Pole 770 Series

Rated voltage	250 V
Rated current	25 A

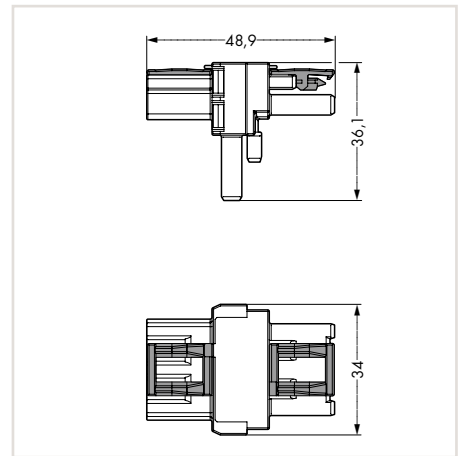
3



Dimensions (in mm):



Dimensions (in mm):



Linect® T-connector, socket – plug, white housing, white cover, for lighting connectors 294-8013 and 294-8113

Color	Item No.	Pack. Unit
○ white	770-6223	25

T-distribution connector, 1 x plug/2 x socket

Color	Item No.	Pack. Unit
● black	770-606	50
○ white	770-656	50
● orange	770-667	50

T-distribution connector, 1 x plug/2 x socket, for "flying leads," with 3rd locking lever

Color	Item No.	Pack. Unit
● black	770-615	50
○ white	770-665	50
● orange	770-670	50

770 Series Accessories, see page 355

Approvals, see www.wago.com

Coding overview, see page 372

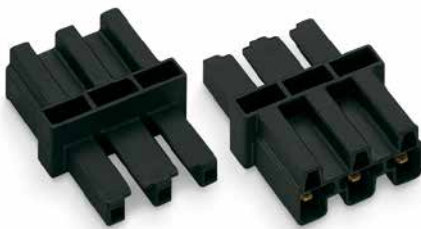
Coding	Marking	Color
A	L ⊕ N	● black
A	L ⊕ N	○ white
R	LON LON S	● orange

## WINSTA® MIDI

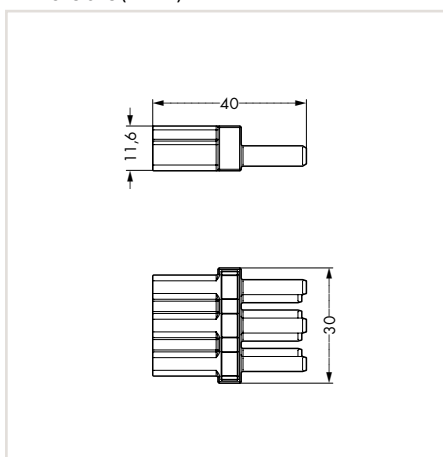
### Intermediate Couplers, 3-Pole

### 770 Series

Rated voltage	250 V
Rated current	25 A



Dimensions (in mm):



Intermediate coupler ,  
1 x plug/1 x socket

Color	Item No.	Pack. Unit
● black	770-603	100
○ white	770-653	100

Coding	Marking	Color
A	-	● black
A	-	○ white

# WINSTA® MIDI

## h-Distribution Connectors, 3-Pole

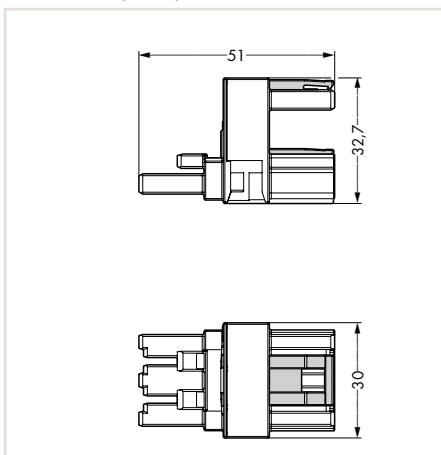
### 770 Series

Rated voltage	250 V
Rated current	25 A

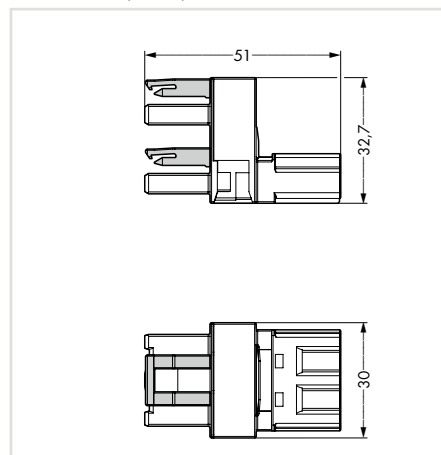
3



Dimensions (in mm):



Dimensions (in mm):



h-distribution connector, bi-directional, plug – socket/socket

Color	Item No.	Pack. Unit
● black	770-633	50
○ white	770-683	50

h-distribution connector, unidirectional, plug/socket – socket

Color	Item No.	Pack. Unit
● black	770-634	50
○ white	770-684	50
● red	770-934	50

h-distribution connector, bi-directional, plug – socket/socket, for "flying leads," with 3rd locking lever

Color	Item No.	Pack. Unit
● black	770-635	50
○ white	770-685	50

h-distribution connector, unidirectional, plug/socket – socket, for "flying leads," with 3rd locking lever

Color	Item No.	Pack. Unit
● black	770-636	50
○ white	770-686	50
● red	770-936	50

770 Series Accessories, see page 355

Approvals, see www.wago.com

Coding overview, see page 372

Coding	Marking	Color
A	L ⊕ N	● black
A	L ⊕ N	○ white
P	L ⊕ N	● red

## WINSTA® MIDI

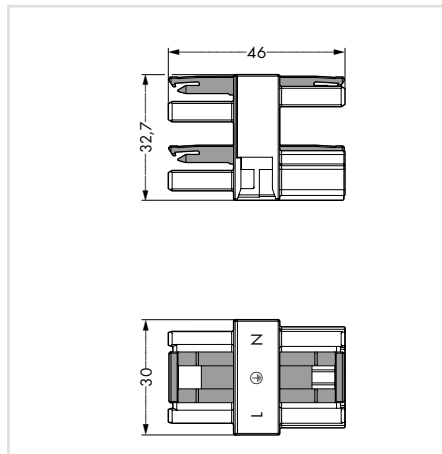
### Distribution Connectors, 3-Pole

### 770 Series

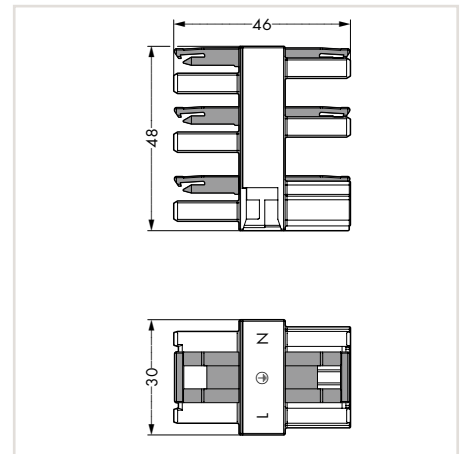
Rated voltage	250 V
Rated current	25 A



Dimensions (in mm):



Dimensions (in mm):



Distribution connector, 3-way,  
1 x plug/3 x socket

Color	Item No.	Pack. Unit
● black	770-607	50
○ white	770-657	50
● red	770-907	50

Distribution connector, 5-way,  
1 x plug/5 x socket

Color	Item No.	Pack. Unit
● black	770-608	50
○ white	770-658	50

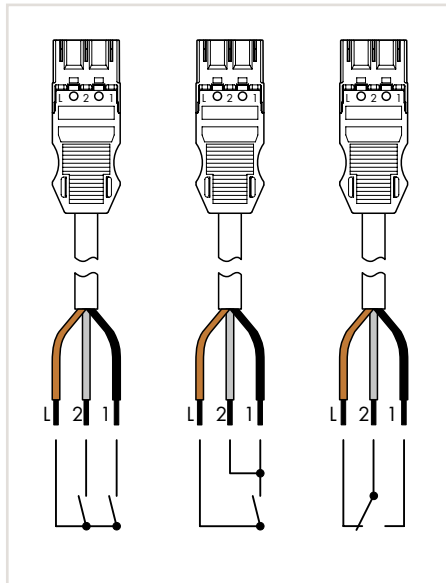
Coding	Marking	Color
A	L ⊕ N	● black
A	L ⊕ N	○ white
P	L ⊕ N	● red

# WINSTA® MIDI

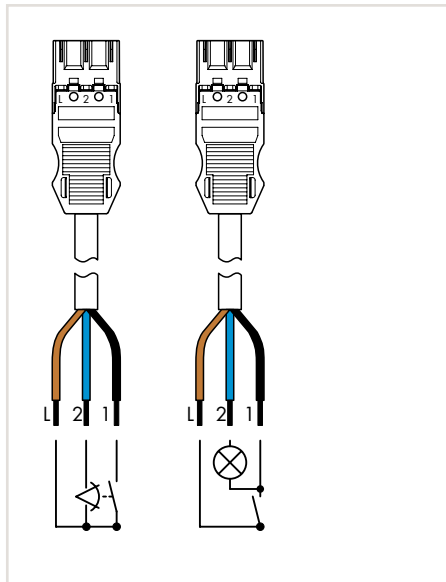
## Distribution Connectors, 3-Pole

### 770 Series

3



Cable assembly with S-coding for connection to 770-637 and 770-638 Distribution Connectors.

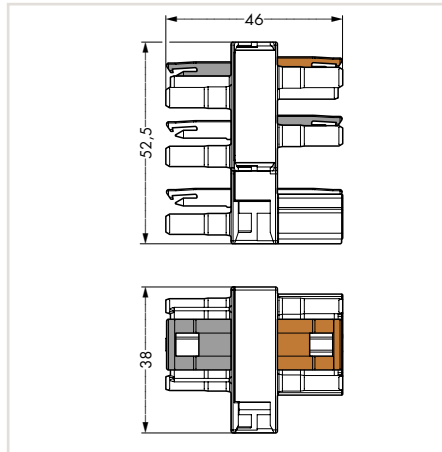


Cable assembly with S-coding for connection to 770-637 Distribution Connector when using 770-113/147-000 Shorting Plug.

Rated voltage	250 V
Rated current	25 A



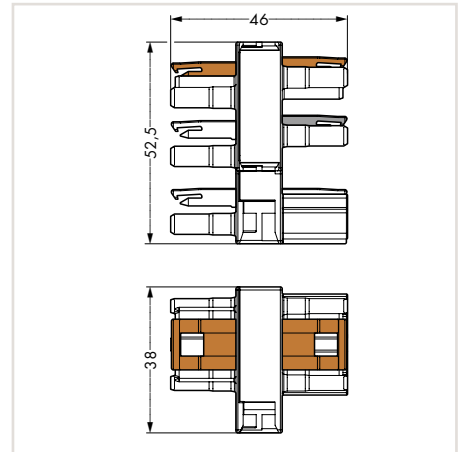
Dimensions (in mm):



Distribution connector for single-pole switch and series circuits,  
 1 x plug, A-coding, black/white LL,  
 2 x socket, A-coding, black/white LL,  
 2 x socket, A-coding (lighting fixtures), black/white LL,  
 1 x socket, S-coding (switch), brown LL

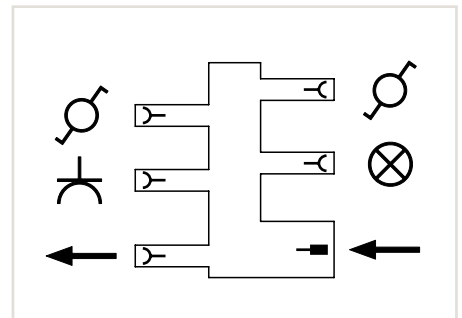
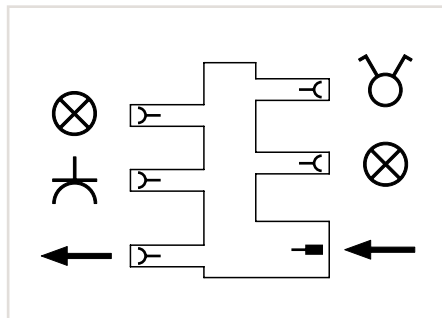
Color	Item No.	Pack. Unit
● black	770-637	10
○ white	770-687	10

Dimensions (in mm):



Distribution connector for single-pole switch and two-way circuits,  
 1 x plug, A-coding, black/white LL,  
 2 x socket, A-coding, black/white LL,  
 1 x socket, A-coding (lighting fixtures), black/white LL,  
 2 x socket, S-coding (switch), brown LL

Color	Item No.	Pack. Unit
● black	770-638	10
○ white	770-688	10



LL = Locking lever

770 Series Accessories, see page 355

Approvals, see www.wago.com

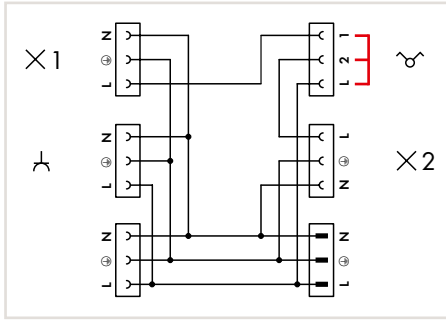
Coding overview, see page 372

Coding	Marking	Color
A	L ⊕ N	● black
A	L ⊕ N	○ white
S	1 2 L	● brown

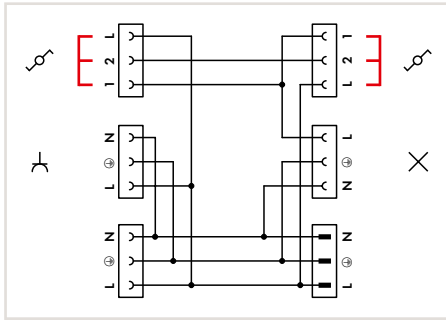
# WINSTA® MIDI

## Shorting Plugs, 3-Pole

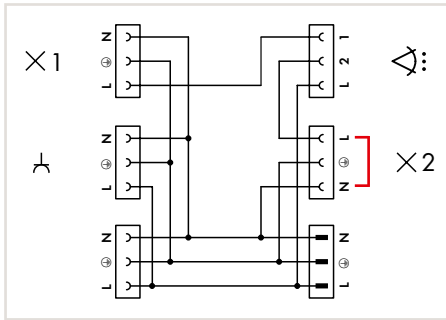
### 771 Series



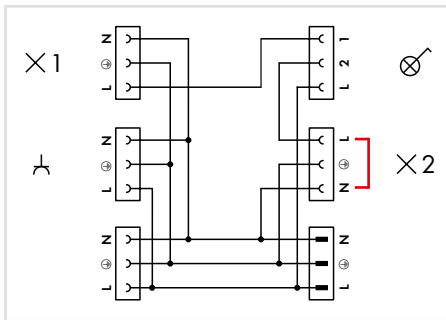
Internal circuit of 770-637 Distribution Connector with possible insertion position of 770-1373/14x-000 Shorting Plug.



Internal circuit of 770-638 Distribution Connector with possible insertion positions of 770-1373/14x-000 Shorting Plug.

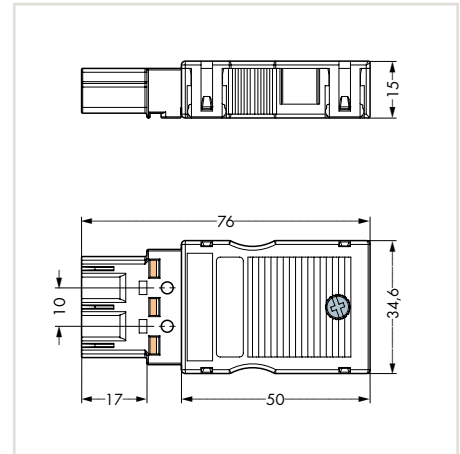
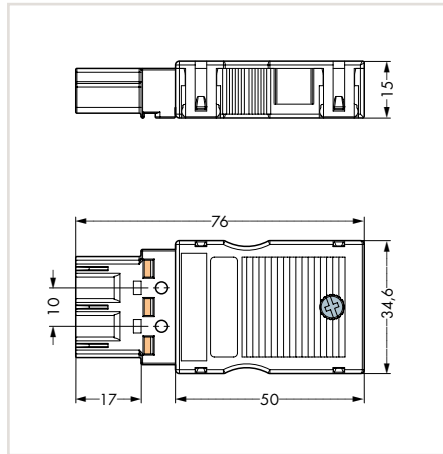


Internal circuit of 770-637 Distribution Connector with insertion position of 770-113/147-000 Shorting Plug for connecting a motion sensor.



Internal circuit of 770-637 Distribution Connector with insertion position of 770-113/147-000 Shorting Plug for connecting a switch with control lamp.

Rated voltage	250 V
Rated current	25 A



Shorting plug, S-coding, brown plug with assembled strain relief housing and bridge

Color/Marking	Item No.	Pack. Unit
	770-1373/146-000	50
	770-1373/147-000	50
	770-1373/148-000	50
	770-1373/149-000	50

Shorting plug, A-coding, black plug with assembled strain relief housing and bridge

Color/Marking	Item No.	Pack. Unit
	770-113/147-000	50

Coding	Marking	Color
A	see above	● black
S	see above	● brown

# WINSTA® MIDI

## Cable Assemblies 3 x 1.5 mm<sup>2</sup>, PVC

### 771 Series

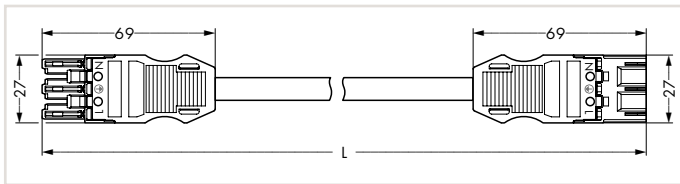
PVC	H05VV-F 3G1.5
-----	---------------

Rated voltage	250 V
Rated current	16 A
Strip length	9 mm / 0.35 inch – 16 mm / 0.63 inch
Conductor preparation	tip-bonded

3



Dimensions (in mm):

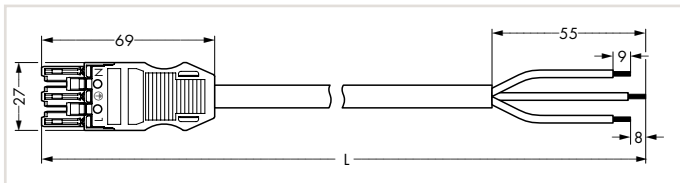


Interconnecting cable, socket – plug, PVC, A-coding

Length	● black	○ white	Pack. Unit
1 m	771-9993/006-101	771-9993/006-102	1
2 m	771-9993/006-201	771-9993/006-202	1
3 m	771-9993/006-301	771-9993/006-302	1
4 m	771-9993/006-401	771-9993/006-402	1
5 m	771-9993/006-501	771-9993/006-502	1
6 m	771-9993/006-601	771-9993/006-602	1
7 m	771-9993/006-701	771-9993/006-702	1
8 m	771-9993/006-801	771-9993/006-802	1



Dimensions (in mm):

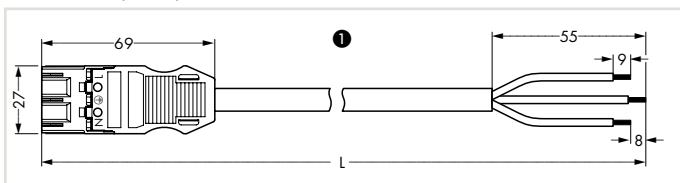


Connecting cable, socket – free end, PVC, A-coding

Length	● black	○ white	Pack. Unit
1 m	771-9993/106-101	771-9993/106-102	1
2 m	771-9993/106-201	771-9993/106-202	1
3 m	771-9993/106-301	771-9993/106-302	1
4 m	771-9993/106-401	771-9993/106-402	1
5 m	771-9993/106-501	771-9993/106-502	1
6 m	771-9993/106-601	771-9993/106-602	1
7 m	771-9993/106-701	771-9993/106-702	1
8 m	771-9993/106-801	771-9993/106-802	1

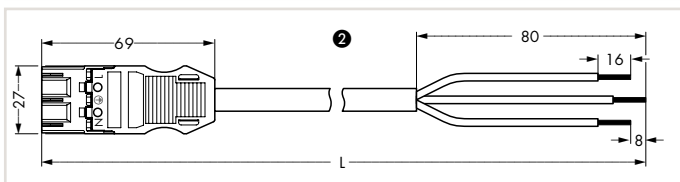


Dimensions (in mm):



Connecting cable, ① plug – free end, PVC, A-coding

Length	● black	○ white	Pack. Unit
1 m	771-9993/206-101	771-9993/206-102	1
2 m	771-9993/206-201	771-9993/206-202	1
3 m	771-9993/206-301	771-9993/206-302	1
4 m	771-9993/206-401	771-9993/206-402	1
5 m	771-9993/206-501	771-9993/206-502	1
6 m	771-9993/206-601	771-9993/206-602	1
7 m	771-9993/206-701	771-9993/206-702	1
8 m	771-9993/206-801	771-9993/206-802	1



Connecting cable, ② plug – free end, PVC, A-coding for switches and outlets installation

Length	● black	Pack. Unit
1 m	771-9993/3206-101	1
2 m	771-9993/3206-201	1
3 m	771-9993/3206-301	1
4 m	771-9993/3206-401	1
5 m	771-9993/3206-501	1
6 m	771-9993/3206-601	1
7 m	771-9993/3206-701	1
8 m	771-9993/3206-801	1

Additional cable lengths available upon request.

- 771 Series Accessories, see page 355
- Approvals, see www.wago.com
- Codings, see page 372

Coding	Marking	Color
A	L ⊕ N	● black
A	L ⊕ N	○ white



# WINSTA® MIDI

## Cable Assemblies 3 x 1.5 mm<sup>2</sup>, Halogen-Free

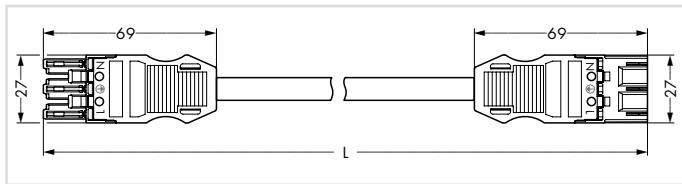
### 771 Series

halogen-free	H05Z1Z1-F 3G1.5
--------------	-----------------

Rated voltage	250 V
Rated current	16 A
Strip length	9 mm / 0.35 inch – 16 mm / 0.63 inch
Conductor preparation	tip-bonded



Dimensions (in mm):

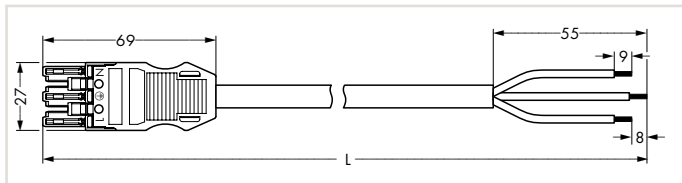


Interconnecting cable, socket – plug, halogen-free, A-coding

Length	● black	○ white	Pack. Unit
1 m	771-9993/016-101	771-9993/016-102	1
2 m	771-9993/016-201	771-9993/016-202	1
3 m	771-9993/016-301	771-9993/016-302	1
4 m	771-9993/016-401	771-9993/016-402	1
5 m	771-9993/016-501	771-9993/016-502	1
6 m	771-9993/016-601	771-9993/016-602	1
7 m	771-9993/016-701	771-9993/016-702	1
8 m	771-9993/016-801	771-9993/016-802	1



Dimensions (in mm):

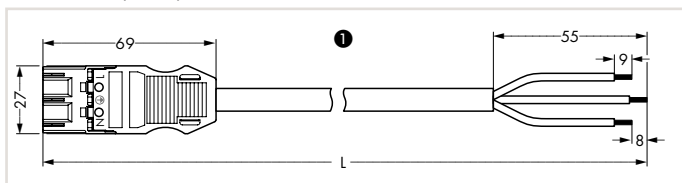


Connecting cable, socket – free end, halogen-free, A-coding

Length	● black	○ white	Pack. Unit
1 m	771-9993/116-101	771-9993/116-102	1
2 m	771-9993/116-201	771-9993/116-202	1
3 m	771-9993/116-301	771-9993/116-302	1
4 m	771-9993/116-401	771-9993/116-402	1
5 m	771-9993/116-501	771-9993/116-502	1
6 m	771-9993/116-601	771-9993/116-602	1
7 m	771-9993/116-701	771-9993/116-702	1
8 m	771-9993/116-801	771-9993/116-802	1

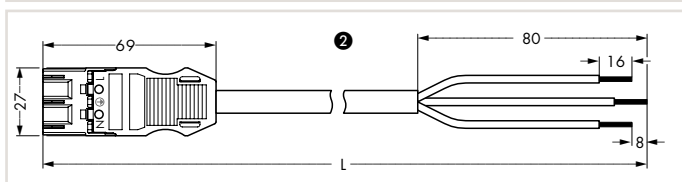


Dimensions (in mm):



Connecting cable, ① plug – free end, halogen-free, A-coding

Length	● black	○ white	Pack. Unit
1 m	771-9993/216-101	771-9993/216-102	1
2 m	771-9993/216-201	771-9993/216-202	1
3 m	771-9993/216-301	771-9993/216-302	1
4 m	771-9993/216-401	771-9993/216-402	1
5 m	771-9993/216-501	771-9993/216-502	1
6 m	771-9993/216-601	771-9993/216-602	1
7 m	771-9993/216-701	771-9993/216-702	1
8 m	771-9993/216-801	771-9993/216-802	1



Connecting cable, ② plug – free end, halogen-free, A-coding for switches and outlets installation

Length	● black ②	Pack. Unit
1 m	771-9993/3216-101	1
2 m	771-9993/3216-201	1
3 m	771-9993/3216-301	1
4 m	771-9993/3216-401	1
5 m	771-9993/3216-501	1
6 m	771-9993/3216-601	1
7 m	771-9993/3216-701	1
8 m	771-9993/3216-801	1

Coding	Marking	Color
A	L ⊕ N	● black
A	L ⊕ N	○ white

3

# WINSTA® MIDI

## Cable Assemblies 3 x 1.5 mm<sup>2</sup>, PVC

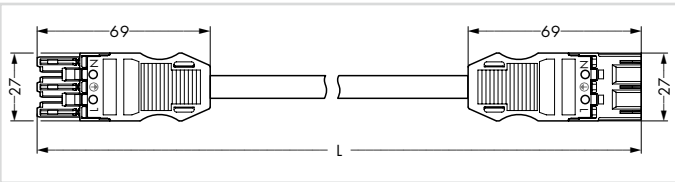
### 771 Series

PVC	H05VV-F 3G1.5
-----	---------------

Rated voltage	250 V
Rated current	16 A
Strip length	9 mm / 0.35 inch
Conductor preparation	tip-bonded



Dimensions (in mm):



Interconnecting cable, socket – plug, PVC, P-coding

Length	● black	○ white	Pack. Unit
1 m	771-9973/006-101	771-9973/006-102	1
2 m	771-9973/006-201	771-9973/006-202	1
3 m	771-9973/006-301	771-9973/006-302	1
4 m	771-9973/006-401	771-9973/006-402	1
5 m	771-9973/006-501	771-9973/006-502	1
6 m	771-9973/006-601	771-9973/006-602	1
7 m	771-9973/006-701	771-9973/006-702	1
8 m	771-9973/006-801	771-9973/006-802	1



Dimensions (in mm):



Connecting cable, socket – free end, PVC, P-coding

Length	● black	○ white	Pack. Unit
1 m	771-9973/106-101	771-9973/106-102	1
2 m	771-9973/106-201	771-9973/106-202	1
3 m	771-9973/106-301	771-9973/106-302	1
4 m	771-9973/106-401	771-9973/106-402	1
5 m	771-9973/106-501	771-9973/106-502	1
6 m	771-9973/106-601	771-9973/106-602	1
7 m	771-9973/106-701	771-9973/106-702	1
8 m	771-9973/106-801	771-9973/106-802	1



Dimensions (in mm):



Connecting cable, plug – free end, PVC, P-coding

Length	● black	○ white	Pack. Unit
1 m	771-9973/206-101	771-9973/206-102	1
2 m	771-9973/206-201	771-9973/206-202	1
3 m	771-9973/206-301	771-9973/206-302	1
4 m	771-9973/206-401	771-9973/206-402	1
5 m	771-9973/206-501	771-9973/206-502	1
6 m	771-9973/206-601	771-9973/206-602	1
7 m	771-9973/206-701	771-9973/206-702	1
8 m	771-9973/206-801	771-9973/206-802	1

Additional cable lengths available upon request.

- 771 Series Accessories, see page 355
- Approvals, see www.wago.com
- Codings, see page 372

Coding	Marking	Color
P	L ⊕ N	● red

# WINSTA® MIDI

## Cable Assemblies 3 x 1.5 mm<sup>2</sup>, Halogen-Free

### 771 Series

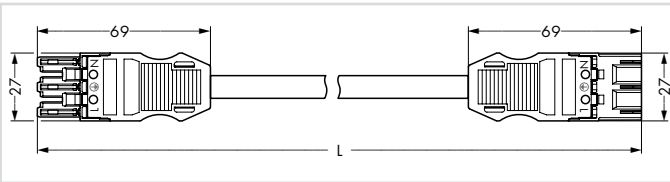
halogen-free

H05Z1Z1-F 3G1.5

Rated voltage	250 V
Rated current	16 A
Strip length	9 mm / 0.35 inch
Conductor preparation	tip-bonded



Dimensions (in mm):



Interconnecting cable, socket – plug, halogen-free, P-coding

Length	Color		Pack. Unit
	● black	○ white	
1 m	771-9973/016-101	771-9973/016-102	1
2 m	771-9973/016-201	771-9973/016-202	1
3 m	771-9973/016-301	771-9973/016-302	1
4 m	771-9973/016-401	771-9973/016-402	1
5 m	771-9973/016-501	771-9973/016-502	1
6 m	771-9973/016-601	771-9973/016-602	1
7 m	771-9973/016-701	771-9973/016-702	1
8 m	771-9973/016-801	771-9973/016-802	1



Dimensions (in mm):

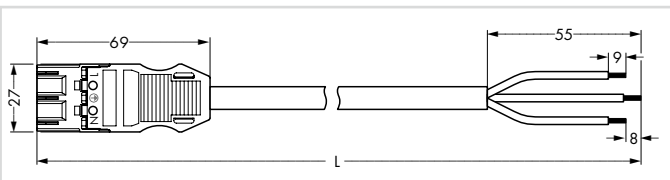


Connecting cable, socket – free end, halogen-free, P-coding

Length	Color		Pack. Unit
	● black	○ white	
1 m	771-9973/116-101	771-9973/116-102	1
2 m	771-9973/116-201	771-9973/116-202	1
3 m	771-9973/116-301	771-9973/116-302	1
4 m	771-9973/116-401	771-9973/116-402	1
5 m	771-9973/116-501	771-9973/116-502	1
6 m	771-9973/116-601	771-9973/116-602	1
7 m	771-9973/116-701	771-9973/116-702	1
8 m	771-9973/116-801	771-9973/116-802	1



Dimensions (in mm):



Connecting cable, plug – free end, halogen-free, P-coding

Length	Color		Pack. Unit
	● black	○ white	
1 m	771-9973/216-101	771-9973/216-102	1
2 m	771-9973/216-201	771-9973/216-202	1
3 m	771-9973/216-301	771-9973/216-302	1
4 m	771-9973/216-401	771-9973/216-402	1
5 m	771-9973/216-501	771-9973/216-502	1
6 m	771-9973/216-601	771-9973/216-602	1
7 m	771-9973/216-701	771-9973/216-702	1
8 m	771-9973/216-801	771-9973/216-802	1

Coding

P

Marking

L ⊕ N

Color

● red

# WINSTA® MIDI

## Cable Assemblies 3 x 1.5 mm<sup>2</sup>, PVC

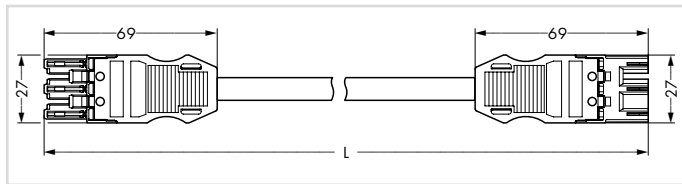
### 771 Series

PVC	H05VV-F 3x1.5
-----	---------------

Rated voltage	250 V
Rated current	16 A
Strip length	11 mm / 0.43 inch
Conductor preparation	tip-bonded



Dimensions (in mm):

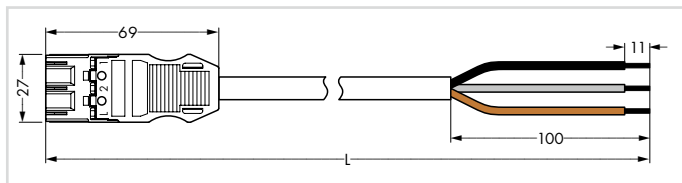


Interconnecting cable, socket – plug, PVC, S-coding

Length	● black	Pack. Unit
1 m	771-9973/006-105	1
2 m	771-9973/006-205	1
3 m	771-9973/006-305	1
4 m	771-9973/006-405	1
5 m	771-9973/006-505	1
6 m	771-9973/006-605	1
7 m	771-9973/006-705	1
8 m	771-9973/006-805	1



Dimensions (in mm):

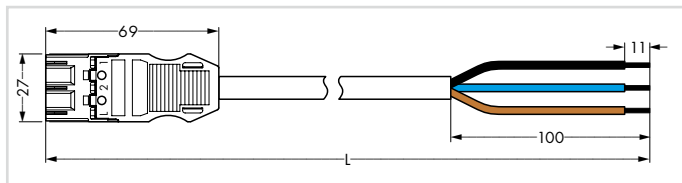


Connecting cable, plug – free end, for distribution connector (series and two-way circuits), PVC, S-coding

Length	● black	Pack. Unit
1 m	771-9973/206-105	1
2 m	771-9973/206-205	1
3 m	771-9973/206-305	1
4 m	771-9973/206-405	1
5 m	771-9973/206-505	1
6 m	771-9973/206-605	1
7 m	771-9973/206-705	1
8 m	771-9973/206-805	1



Dimensions (in mm):



Connecting cable, plug – free end, for distribution connector (motion sensor), PVC, S-coding

Length	● black	Pack. Unit
1 m	771-9973/206-104	1
2 m	771-9973/206-204	1
3 m	771-9973/206-304	1
4 m	771-9973/206-404	1
5 m	771-9973/206-504	1
6 m	771-9973/206-604	1
7 m	771-9973/206-704	1
8 m	771-9973/206-804	1

Additional cable lengths available upon request.

- 771 Series Accessories, see page 355
- Approvals, see www.wago.com
- Codings, see page 372

Coding	Marking	Color
S	1 2 L	● brown

# WINSTA® MIDI

## Cable Assemblies 3 x 1.5 mm<sup>2</sup>, Halogen-Free

### 771 Series

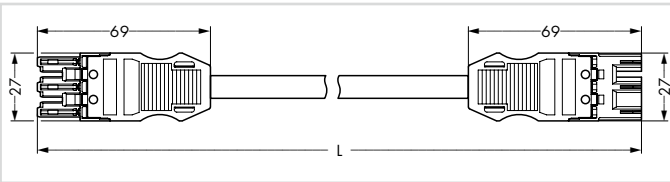
halogen-free

H05Z1Z1-F 3x1.5

Rated voltage	250 V
Rated current	16 A
Strip length	11 mm / 0.43 inch
Conductor preparation	tip-bonded



Dimensions (in mm):

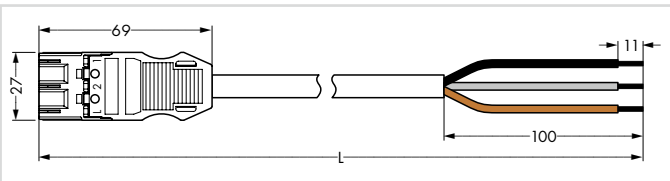


Interconnecting cable, socket – plug, halogen-free, S-coding

Length	● black	Pack. Unit
1 m	771-9973/016-105	1
2 m	771-9973/016-205	1
3 m	771-9973/016-305	1
4 m	771-9973/016-405	1
5 m	771-9973/016-505	1
6 m	771-9973/016-605	1
7 m	771-9973/016-705	1
8 m	771-9973/016-805	1



Dimensions (in mm):

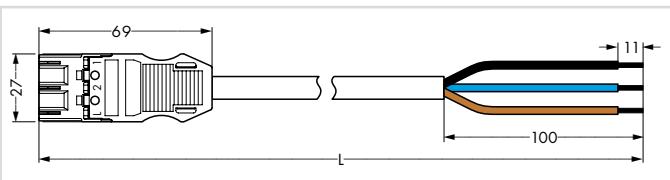


Connecting cable, plug – free end, for distribution connector (series and two-way circuits), halogen-free, S-coding

Length	● black	Pack. Unit
1 m	771-9973/216-105	1
2 m	771-9973/216-205	1
3 m	771-9973/216-305	1
4 m	771-9973/216-405	1
5 m	771-9973/216-505	1
6 m	771-9973/216-605	1
7 m	771-9973/216-705	1
8 m	771-9973/216-805	1



Dimensions (in mm):



Connecting cable, plug – free end, for distribution connector (motion sensor), halogen-free, S-coding

Length	● black	Pack. Unit
1 m	771-9973/216-104	1
2 m	771-9973/216-204	1
3 m	771-9973/216-304	1
4 m	771-9973/216-404	1
5 m	771-9973/216-504	1
6 m	771-9973/216-604	1
7 m	771-9973/216-704	1
8 m	771-9973/216-804	1

Coding

S

Marking

1 2 L

Color

● brown

# WINSTA® MIDI

## Cable Assemblies 3 x 2.5 mm<sup>2</sup>, PVC

### 771 Series

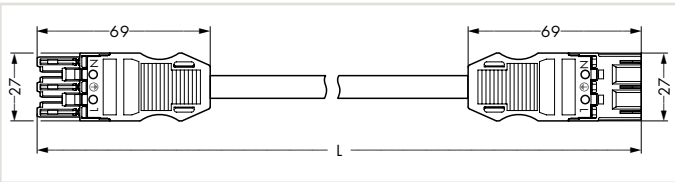
PVC	H05VV-F 3G2.5
-----	---------------

Rated voltage	250 V
Rated current	20 A
Strip length	9 mm / 0.35 inch – 16 mm / 0.63 inch
Conductor preparation	tip-bonded

3



Dimensions (in mm):

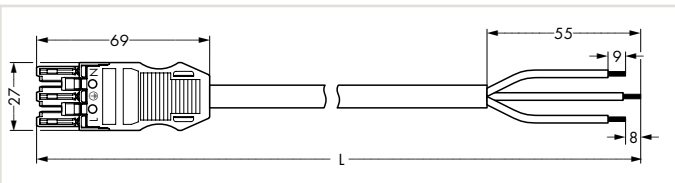


#### Interconnecting cable, socket – plug, PVC, A-coding

Length	● black	○ white	Pack. Unit
1 m	771-9993/007-101	771-9993/007-102	1
2 m	771-9993/007-201	771-9993/007-202	1
3 m	771-9993/007-301	771-9993/007-302	1
4 m	771-9993/007-401	771-9993/007-402	1
5 m	771-9993/007-501	771-9993/007-502	1
6 m	771-9993/007-601	771-9993/007-602	1
7 m	771-9993/007-701	771-9993/007-702	1
8 m	771-9993/007-801	771-9993/007-802	1



Dimensions (in mm):

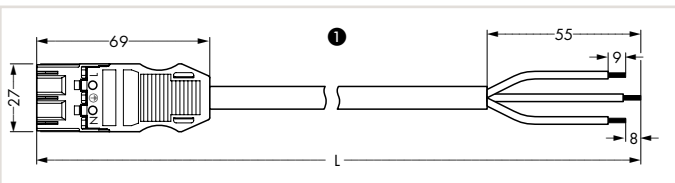


#### Connecting cable, socket – free end, PVC, A-coding

Length	● black	○ white	Pack. Unit
1 m	771-9993/107-101	771-9993/107-102	1
2 m	771-9993/107-201	771-9993/107-202	1
3 m	771-9993/107-301	771-9993/107-302	1
4 m	771-9993/107-401	771-9993/107-402	1
5 m	771-9993/107-501	771-9993/107-502	1
6 m	771-9993/107-601	771-9993/107-602	1
7 m	771-9993/107-701	771-9993/107-702	1
8 m	771-9993/107-801	771-9993/107-802	1

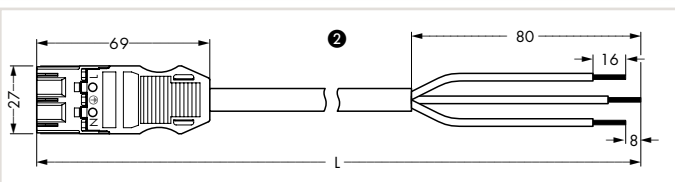


Dimensions (in mm):



#### Connecting cable, ① plug – free end, PVC, A-coding

Length	● black	○ white	Pack. Unit
1 m	771-9993/207-101	771-9993/207-102	1
2 m	771-9993/207-201	771-9993/207-202	1
3 m	771-9993/207-301	771-9993/207-302	1
4 m	771-9993/207-401	771-9993/207-402	1
5 m	771-9993/207-501	771-9993/207-502	1
6 m	771-9993/207-601	771-9993/207-602	1
7 m	771-9993/207-701	771-9993/207-702	1
8 m	771-9993/207-801	771-9993/207-802	1



#### Connecting cable, ② plug – free end, PVC, A-coding for switches and outlets installation

Length	● black	Pack. Unit
1 m	771-9993/3207-101	1
2 m	771-9993/3207-201	1
3 m	771-9993/3207-301	1
4 m	771-9993/3207-401	1
5 m	771-9993/3207-501	1
6 m	771-9993/3207-601	1
7 m	771-9993/3207-701	1
8 m	771-9993/3207-801	1

Additional cable lengths available upon request.

- 771 Series Accessories, see page 355
- Approvals, see www.wago.com
- Codings, see page 372

Coding	Marking	Color
A	L ⊕ N	● black
A	L ⊕ N	○ white

# WINSTA® MIDI

## Cable Assemblies 3 x 2.5 mm<sup>2</sup>, Halogen-Free

### 771 Series

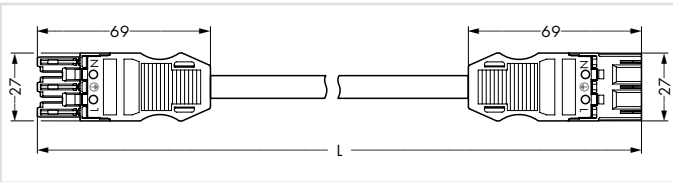
halogen-free

H05Z1Z1-F 3G2.5

Rated voltage	250 V
Rated current	20 A
Strip length	9 mm / 0.35 inch – 16 mm / 0.63 inch
Conductor preparation	tip-bonded



Dimensions (in mm):

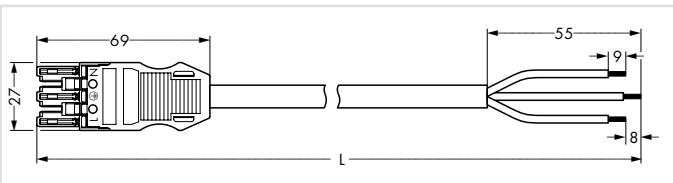


Interconnecting cable, socket – plug, halogen-free, A-coding

Length	● black	○ white	Pack. Unit
1 m	771-9993/017-101	771-9993/017-102	1
2 m	771-9993/017-201	771-9993/017-202	1
3 m	771-9993/017-301	771-9993/017-302	1
4 m	771-9993/017-401	771-9993/017-402	1
5 m	771-9993/017-501	771-9993/017-502	1
6 m	771-9993/017-601	771-9993/017-602	1
7 m	771-9993/017-701	771-9993/017-702	1
8 m	771-9993/017-801	771-9993/017-802	1



Dimensions (in mm):

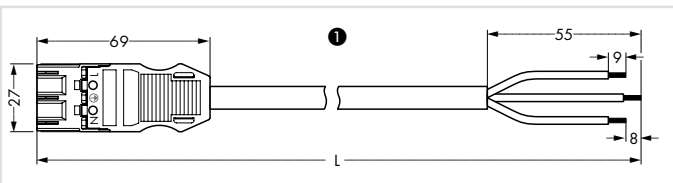


Connecting cable, socket – free end, halogen-free, A-coding

Length	● black	○ white	Pack. Unit
1 m	771-9993/117-101	771-9993/117-102	1
2 m	771-9993/117-201	771-9993/117-202	1
3 m	771-9993/117-301	771-9993/117-302	1
4 m	771-9993/117-401	771-9993/117-402	1
5 m	771-9993/117-501	771-9993/117-502	1
6 m	771-9993/117-601	771-9993/117-602	1
7 m	771-9993/117-701	771-9993/117-702	1
8 m	771-9993/117-801	771-9993/117-802	1

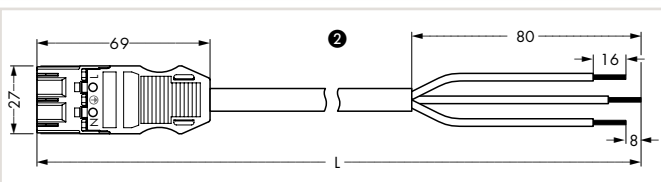


Dimensions (in mm):



Connecting cable, ① plug – free end, halogen-free, A-coding

Length	● black	○ white	Pack. Unit
1 m	771-9993/217-101	771-9993/217-102	1
2 m	771-9993/217-201	771-9993/217-202	1
3 m	771-9993/217-301	771-9993/217-302	1
4 m	771-9993/217-401	771-9993/217-402	1
5 m	771-9993/217-501	771-9993/217-502	1
6 m	771-9993/217-601	771-9993/217-602	1
7 m	771-9993/217-701	771-9993/217-702	1
8 m	771-9993/217-801	771-9993/217-802	1



Connecting cable, ② plug – free end, halogen-free, A-coding for switches and outlets installation

Length	● black	Pack. Unit
1 m	771-9993/3217-101	1
2 m	771-9993/3217-201	1
3 m	771-9993/3217-301	1
4 m	771-9993/3217-401	1
5 m	771-9993/3217-501	1
6 m	771-9993/3217-601	1
7 m	771-9993/3217-701	1
8 m	771-9993/3217-801	1

Coding	Marking	Color
A	L ⊕ N	● black
A	L ⊕ N	○ white

# WINSTA® MIDI

## Cable Assemblies 3 x 2.5 mm<sup>2</sup>, PVC

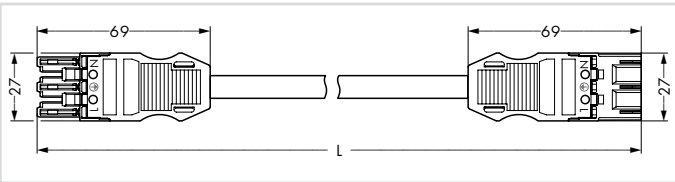
### 771 Series

PVC	H05VV-F 3G2.5
-----	---------------

Rated voltage	250 V
Rated current	20 A
Strip length	9 mm / 0.35 inch
Conductor preparation	tip-bonded



Dimensions (in mm):



Interconnecting cable, socket – plug, PVC, P-coding			
Length	● black	○ white	Pack. Unit
1 m	771-9973/007-101	771-9973/007-102	1
2 m	771-9973/007-201	771-9973/007-202	1
3 m	771-9973/007-301	771-9973/007-302	1
4 m	771-9973/007-401	771-9973/007-402	1
5 m	771-9973/007-501	771-9973/007-502	1
6 m	771-9973/007-601	771-9973/007-602	1
7 m	771-9973/007-701	771-9973/007-702	1
8 m	771-9973/007-801	771-9973/007-802	1



Dimensions (in mm):



Connecting cable, socket – free end, PVC, P-coding			
Length	● black	○ white	Pack. Unit
1 m	771-9973/107-101	771-9973/107-102	1
2 m	771-9973/107-201	771-9973/107-202	1
3 m	771-9973/107-301	771-9973/107-302	1
4 m	771-9973/107-401	771-9973/107-402	1
5 m	771-9973/107-501	771-9973/107-502	1
6 m	771-9973/107-601	771-9973/107-602	1
7 m	771-9973/107-701	771-9973/107-702	1
8 m	771-9973/107-801	771-9973/107-802	1



Dimensions (in mm):



Connecting cable, plug – free end, PVC, P-coding			
Length	● black	○ white	Pack. Unit
1 m	771-9973/207-101	771-9973/207-102	1
2 m	771-9973/207-201	771-9973/207-202	1
3 m	771-9973/207-301	771-9973/207-302	1
4 m	771-9973/207-401	771-9973/207-402	1
5 m	771-9973/207-501	771-9973/207-502	1
6 m	771-9973/207-601	771-9973/207-602	1
7 m	771-9973/207-701	771-9973/207-702	1
8 m	771-9973/207-801	771-9973/207-802	1

Additional cable lengths available upon request.

- 771 Series Accessories, see page 355
- Approvals, see www.wago.com
- Codings, see page 372

Coding	Marking	Color
P	L ⊕ N	● red



# WINSTA® MIDI

## Cable Assemblies 3 x 2.5 mm<sup>2</sup>, Halogen-Free

### 771 Series

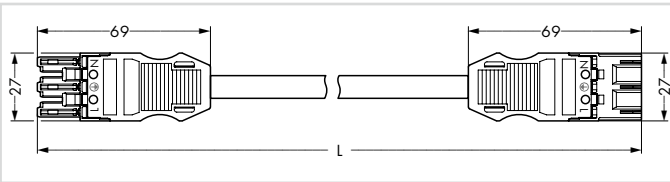
halogen-free

H05Z1Z1-F 3G2.5

Rated voltage	250 V
Rated current	20 A
Strip length	9 mm / 0.35 inch
Conductor preparation	tip-bonded



Dimensions (in mm):



Interconnecting cable, socket – plug, halogen-free, P-coding

Length	Color		Pack. Unit
	● black	○ white	
1 m	771-9973/017-101	771-9973/017-102	1
2 m	771-9973/017-201	771-9973/017-202	1
3 m	771-9973/017-301	771-9973/017-302	1
4 m	771-9973/017-401	771-9973/017-402	1
5 m	771-9973/017-501	771-9973/017-502	1
6 m	771-9973/017-601	771-9973/017-602	1
7 m	771-9973/017-701	771-9973/017-702	1
8 m	771-9973/017-801	771-9973/017-802	1



Dimensions (in mm):

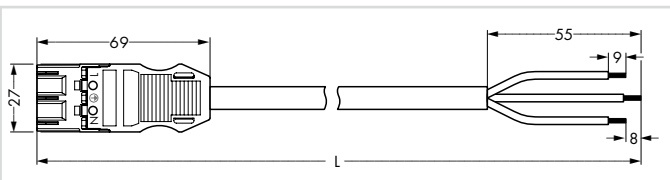


Connecting cable, socket – free end, halogen-free, P-coding

Length	Color		Pack. Unit
	● black	○ white	
1 m	771-9973/117-101	771-9973/117-102	1
2 m	771-9973/117-201	771-9973/117-202	1
3 m	771-9973/117-301	771-9973/117-302	1
4 m	771-9973/117-401	771-9973/117-402	1
5 m	771-9973/117-501	771-9973/117-502	1
6 m	771-9973/117-601	771-9973/117-602	1
7 m	771-9973/117-701	771-9973/117-702	1
8 m	771-9973/117-801	771-9973/117-802	1



Dimensions (in mm):



Connecting cable, plug – free end, halogen-free, P-coding

Length	Color		Pack. Unit
	● black	○ white	
1 m	771-9973/217-101	771-9973/217-102	1
2 m	771-9973/217-201	771-9973/217-202	1
3 m	771-9973/217-301	771-9973/217-302	1
4 m	771-9973/217-401	771-9973/217-402	1
5 m	771-9973/217-501	771-9973/217-502	1
6 m	771-9973/217-601	771-9973/217-602	1
7 m	771-9973/217-701	771-9973/217-702	1
8 m	771-9973/217-801	771-9973/217-802	1

Coding

P

Marking

L ⊕ N

Color

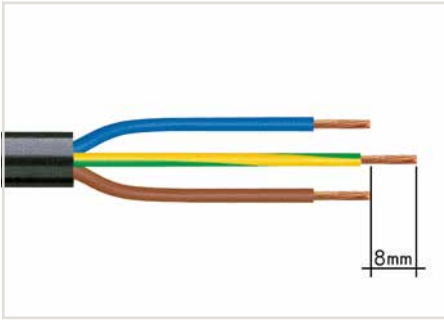
● red

## WINSTA® MIDI

### IP 2XD, for Easily Accessible Areas

#### 770 Series

3



1. Strip length, outer insulation = 48 mm
2. Strip length = 9 mm
3. Extended ground conductor = 8 mm



To terminate fine-stranded conductors, open the clamping unit via screwdriver (2.5 mm blade width) and insert a stripped conductor until it hits backstop. Terminate solid conductors by simply pushing them in.



Latch wired connector onto the base of the strain relief housing.



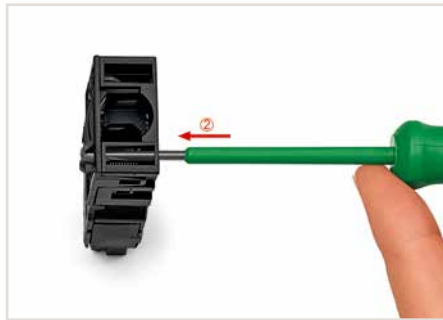
Assembly: Prepare strain relief housing by snapping together upper and bottom part.



Push down strain relief clamp via 2.5 mm screwdriver alternately on both sides.



Disassembly: First, unlock strain relief clamp via screwdriver (2.5 mm blade width) from the bottom.



Then, push strain relief clamp via screwdriver out of the locking position.



Finally, unlock strain relief housing via screwdriver on both sides.

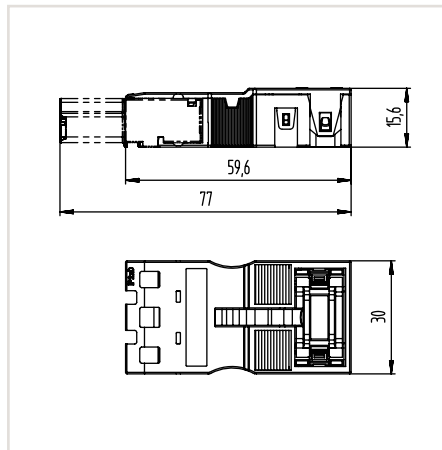
## WINSTA® MIDI

### IP 2XD, Strain Relief Housings, 3-Pole

### 770 Series





Dimensions (in mm):




Strain relief housing, for one cable,  
7 ... 11.5 mm cable diameter,  
48 mm strip length

Color	Item No.	Pack. Unit
black	770-503/038-000	100
white	770-513/038-000	100

 770 Series Accessories,  
see page 355

 Approvals,  
see [www.wago.com](http://www.wago.com)

 Coding overview,  
see page 372

# WINSTA® MIDI

## IP 2XD, Cable Assemblies 3 x 1.5 mm<sup>2</sup>, PVC

### 771 Series

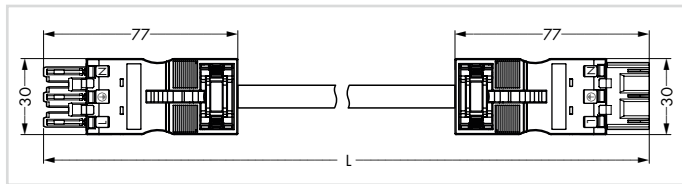
PVC	H05VV-F 3G1.5
-----	---------------

Rated voltage	250 V
Rated current	16 A
Strip length	9 mm / 0.35 inch
Conductor preparation	tip-bonded

3



Dimensions (in mm):



Interconnecting cable, socket – plug, PVC, A-coding			
Length	● black	○ white	Pack. Unit
1 m	771-6993/006-101	771-6993/006-102	1
2 m	771-6993/006-201	771-6993/006-202	1
3 m	771-6993/006-301	771-6993/006-302	1
4 m	771-6993/006-401	771-6993/006-402	1
5 m	771-6993/006-501	771-6993/006-502	1
6 m	771-6993/006-601	771-6993/006-602	1
7 m	771-6993/006-701	771-6993/006-702	1
8 m	771-6993/006-801	771-6993/006-802	1



Dimensions (in mm):



Connecting cable, socket – free end, PVC, A-coding			
Length	● black	○ white	Pack. Unit
1 m	771-6993/106-101	771-6993/106-102	1
2 m	771-6993/106-201	771-6993/106-202	1
3 m	771-6993/106-301	771-6993/106-302	1
4 m	771-6993/106-401	771-6993/106-402	1
5 m	771-6993/106-501	771-6993/106-502	1
6 m	771-6993/106-601	771-6993/106-602	1
7 m	771-6993/106-701	771-6993/106-702	1
8 m	771-6993/106-801	771-6993/106-802	1



Dimensions (in mm):



Connecting cable, plug – free end, PVC, A-coding			
Length	● black	○ white	Pack. Unit
1 m	771-6993/206-101	771-6993/206-102	1
2 m	771-6993/206-201	771-6993/206-202	1
3 m	771-6993/206-301	771-6993/206-302	1
4 m	771-6993/206-401	771-6993/206-402	1
5 m	771-6993/206-501	771-6993/206-502	1
6 m	771-6993/206-601	771-6993/206-602	1
7 m	771-6993/206-701	771-6993/206-702	1
8 m	771-6993/206-801	771-6993/206-802	1

Additional cable lengths available upon request.

- 771 Series Accessories, see page 355
- Approvals, see www.wago.com
- Codings, see page 372

Coding	Marking	Color
A	L ⊕ N	● black
A	L ⊕ N	○ white

# WINSTA® MIDI

## IP 2XD, Cable Assemblies 3 x 1.5 mm<sup>2</sup>, Halogen-Free

### 771 Series

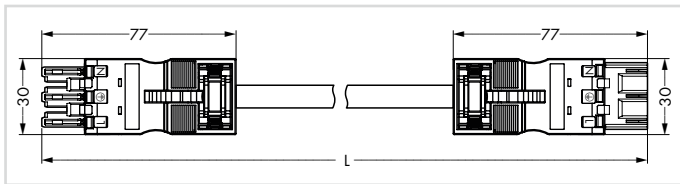
halogen-free

H05Z1Z1-F 3G1.5

Rated voltage	250 V
Rated current	16 A
Strip length	9 mm / 0.35 inch
Conductor preparation	tip-bonded



Dimensions (in mm):

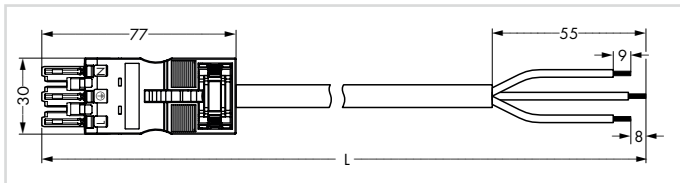


Interconnecting cable, socket – plug, halogen-free, A-coding

Length	Color		Pack. Unit
	● black	○ white	
1 m	771-6993/016-101	771-6993/016-102	1
2 m	771-6993/016-201	771-6993/016-202	1
3 m	771-6993/016-301	771-6993/016-302	1
4 m	771-6993/016-401	771-6993/016-402	1
5 m	771-6993/016-501	771-6993/016-502	1
6 m	771-6993/016-601	771-6993/016-602	1
7 m	771-6993/016-701	771-6993/016-702	1
8 m	771-6993/016-801	771-6993/016-802	1



Dimensions (in mm):

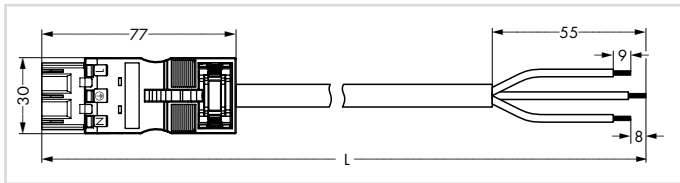


Connecting cable, socket – free end, halogen-free, A-coding

Length	Color		Pack. Unit
	● black	○ white	
1 m	771-6993/116-101	771-6993/116-102	1
2 m	771-6993/116-201	771-6993/116-202	1
3 m	771-6993/116-301	771-6993/116-302	1
4 m	771-6993/116-401	771-6993/116-402	1
5 m	771-6993/116-501	771-6993/116-502	1
6 m	771-6993/116-601	771-6993/116-602	1
7 m	771-6993/116-701	771-6993/116-702	1
8 m	771-6993/116-801	771-6993/116-802	1



Dimensions (in mm):



Connecting cable, plug – free end, halogen-free, A-coding

Length	Color		Pack. Unit
	● black	○ white	
1 m	771-6993/216-101	771-6993/216-102	1
2 m	771-6993/216-201	771-6993/216-202	1
3 m	771-6993/216-301	771-6993/216-302	1
4 m	771-6993/216-401	771-6993/216-402	1
5 m	771-6993/216-501	771-6993/216-502	1
6 m	771-6993/216-601	771-6993/216-602	1
7 m	771-6993/216-701	771-6993/216-702	1
8 m	771-6993/216-801	771-6993/216-802	1

Coding	Marking	Color
A	L ⊕ N	● black
A	L ⊕ N	○ white

# WINSTA® MIDI

## IP 2XD, Cable Assemblies 3 x 2.5 mm<sup>2</sup>, PVC

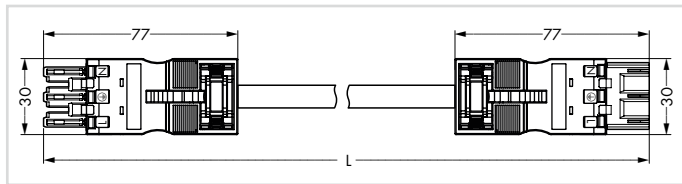
### 771 Series

PVC	H05VV-F 3G2.5
-----	---------------

Rated voltage	250 V
Rated current	20 A
Strip length	9 mm / 0.35 inch
Conductor preparation	tip-bonded



Dimensions (in mm):



Interconnecting cable, socket – plug, PVC, A-coding			
Length	● black	○ white	Pack. Unit
1 m	771-6993/007-101	771-6993/007-102	1
2 m	771-6993/007-201	771-6993/007-202	1
3 m	771-6993/007-301	771-6993/007-302	1
4 m	771-6993/007-401	771-6993/007-402	1
5 m	771-6993/007-501	771-6993/007-502	1
6 m	771-6993/007-601	771-6993/007-602	1
7 m	771-6993/007-701	771-6993/007-702	1
8 m	771-6993/007-801	771-6993/007-802	1



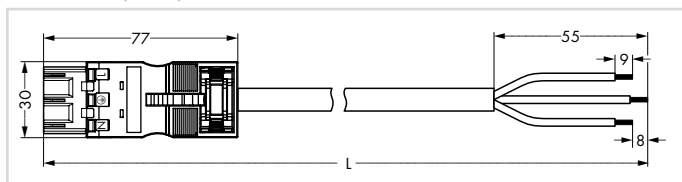
Dimensions (in mm):



Connecting cable, socket – free end, PVC, A-coding			
Length	● black	○ white	Pack. Unit
1 m	771-6993/107-101	771-6993/107-102	1
2 m	771-6993/107-201	771-6993/107-202	1
3 m	771-6993/107-301	771-6993/107-302	1
4 m	771-6993/107-401	771-6993/107-402	1
5 m	771-6993/107-501	771-6993/107-502	1
6 m	771-6993/107-601	771-6993/107-602	1
7 m	771-6993/107-701	771-6993/107-702	1
8 m	771-6993/107-801	771-6993/107-802	1



Dimensions (in mm):



Connecting cable, plug – free end, PVC, A-coding			
Length	● black	○ white	Pack. Unit
1 m	771-6993/207-101	771-6993/207-102	1
2 m	771-6993/207-201	771-6993/207-202	1
3 m	771-6993/207-301	771-6993/207-302	1
4 m	771-6993/207-401	771-6993/207-402	1
5 m	771-6993/207-501	771-6993/207-502	1
6 m	771-6993/207-601	771-6993/207-602	1
7 m	771-6993/207-701	771-6993/207-702	1
8 m	771-6993/207-801	771-6993/207-802	1

Additional cable lengths available upon request.

- 771 Series Accessories, see page 355
- Approvals, see www.wago.com
- Codings, see page 372

Coding	Marking	Color
A	L ⊕ N	● black
A	L ⊕ N	○ white

# WINSTA® MIDI

## IP 2XD, Cable Assemblies 3 x 2.5 mm<sup>2</sup>, Halogen-Free

### 771 Series

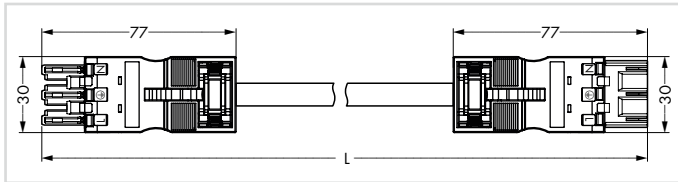
halogen-free

H05Z1Z1-F 3G2.5

Rated voltage	250 V
Rated current	20 A
Strip length	9 mm / 0.35 inch
Conductor preparation	tip-bonded



Dimensions (in mm):



Interconnecting cable, socket – plug, halogen-free, A-coding

Length	● black	○ white	Pack. Unit
1 m	771-6993/017-101	771-6993/017-102	1
2 m	771-6993/017-201	771-6993/017-202	1
3 m	771-6993/017-301	771-6993/017-302	1
4 m	771-6993/017-401	771-6993/017-402	1
5 m	771-6993/017-501	771-6993/017-502	1
6 m	771-6993/017-601	771-6993/017-602	1
7 m	771-6993/017-701	771-6993/017-702	1
8 m	771-6993/017-801	771-6993/017-802	1



Dimensions (in mm):

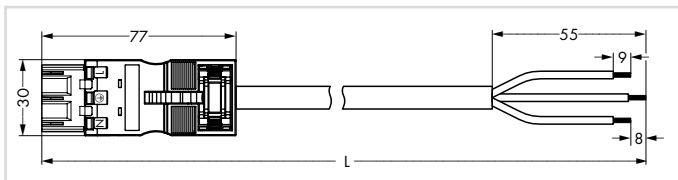


Connecting cable, socket – free end, halogen-free, A-coding

Length	● black	○ white	Pack. Unit
1 m	771-6993/117-101	771-6993/117-102	1
2 m	771-6993/117-201	771-6993/117-202	1
3 m	771-6993/117-301	771-6993/117-302	1
4 m	771-6993/117-401	771-6993/117-402	1
5 m	771-6993/117-501	771-6993/117-502	1
6 m	771-6993/117-601	771-6993/117-602	1
7 m	771-6993/117-701	771-6993/117-702	1
8 m	771-6993/117-801	771-6993/117-802	1



Dimensions (in mm):



Connecting cable, plug – free end, halogen-free, A-coding

Length	● black	○ white	Pack. Unit
1 m	771-6993/217-101	771-6993/217-102	1
2 m	771-6993/217-201	771-6993/217-202	1
3 m	771-6993/217-301	771-6993/217-302	1
4 m	771-6993/217-401	771-6993/217-402	1
5 m	771-6993/217-501	771-6993/217-502	1
6 m	771-6993/217-601	771-6993/217-602	1
7 m	771-6993/217-701	771-6993/217-702	1
8 m	771-6993/217-801	771-6993/217-802	1

Coding	Marking	Color
A	L ⊕ N	● black
A	L ⊕ N	○ white



# WINSTA® MIDI

## Sockets and Plugs, 4-Pole 770 Series

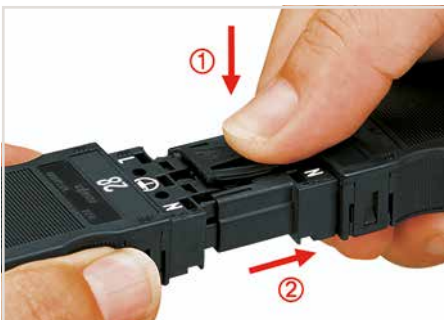


Snap on locking lever – observe direction (picture shows 3-pole plug).

Conductor range, solid and fine-stranded	0.5 ... 4 mm <sup>2</sup> / 20 ... 12 AWG
Conductor range, stranded	0.5 ... 2.5 mm <sup>2</sup> / 20 ... 14 AWG
Rated voltage	400 V
Rated current	25 A
Strip length	9 mm / 0.35 inch



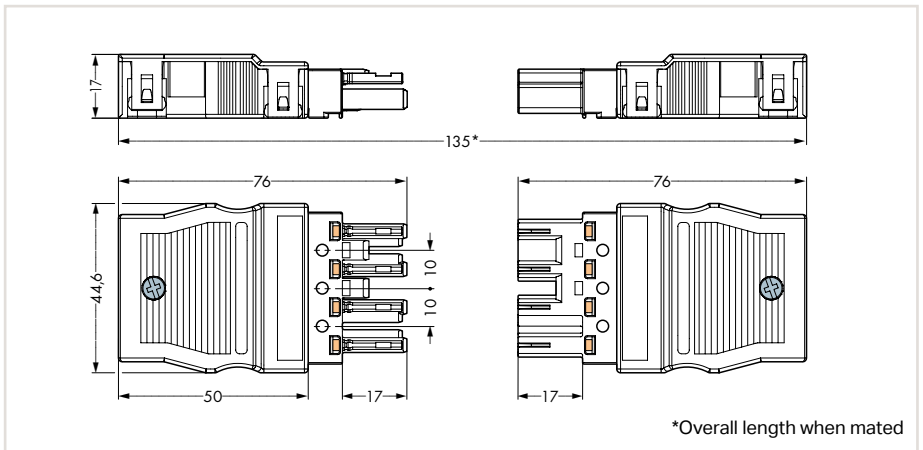
3



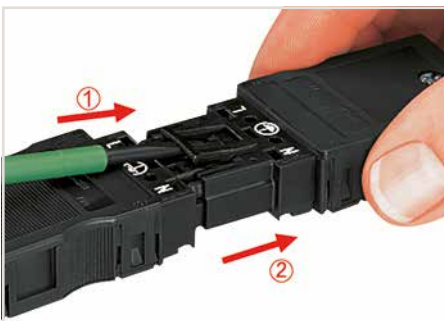
Locking lever, manually operated (picture shows 3-pole connectors):

- Push on locking lever
- Pull the connectors apart

Dimensions (in mm):



\*Overall length when mated



Locking lever, tool operated (picture shows 3-pole connectors):

- Unlatch locking lever
- Pull the connectors apart

Socket, with strain relief housing, for two cables, 9 ... 13 mm cable diameter, 55 mm strip length

Color	Item No.	Pack. Unit
● black	770-104	25
○ white	770-124	25

Plug, with strain relief housing, for two cables, 9 ... 13 mm cable diameter, 55 mm strip length

Color	Item No.	Pack. Unit
● black	770-114	25
○ white	770-134	25

**Note:**

All connectors for fixed installations (snap-in versions for lighting fixtures or devices, all types of PCB and distribution connectors) are factory-equipped with locking levers to ensure plugs and sockets are securely locked. Additional locking levers are only required for "flying leads" (plug/socket).

770 Series Accessories, see page 355

Approvals, see www.wago.com

Coding overview, see page 372

Coding	Marking	Color
A	N Ⓞ 2/L 1/L	● black
A	N Ⓞ 2/L 1/L	○ white

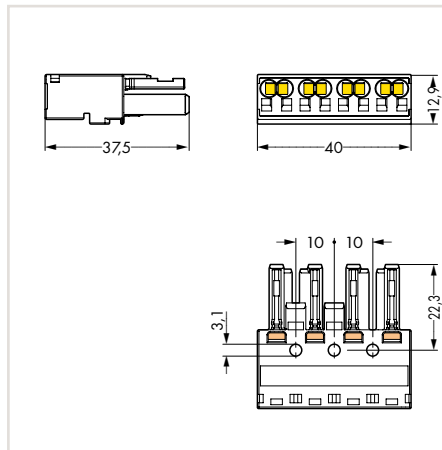


Conductor range, solid and fine-stranded	0.5 ... 4 mm <sup>2</sup> / 20 ... 12 AWG
Conductor range, stranded	0.5 ... 2.5 mm <sup>2</sup> / 20 ... 14 AWG
Rated voltage	400 V
Rated current	25 A (32 A)
Strip length	9 mm / 0.35 inch

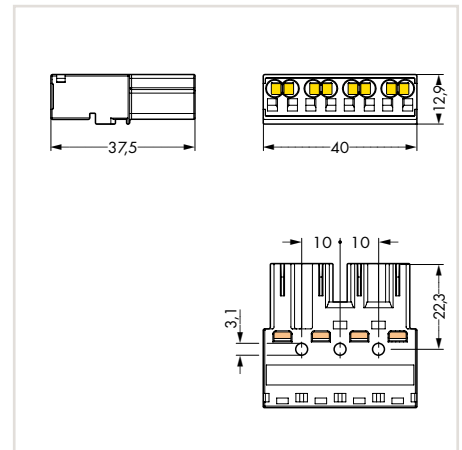


3

Dimensions (in mm):



Dimensions (in mm):



Socket, without strain relief housing

Color	Item No.	Pack. Unit
● black	770-204	50
○ white	770-224	50

Plug, without strain relief housing

Color	Item No.	Pack. Unit
● black	770-214	50
○ white	770-234	50

Socket, without strain relief housing, for "Clean Earth" applications (rated up to 32 A)

Color	Item No.	Pack. Unit
● green	770-1324	50

Plug, without strain relief housing, for "Clean Earth" applications (rated up to 32 A)

Color	Item No.	Pack. Unit
● green	770-1334	50

Coding	Marking	Color
A	N Ⓞ 2 <sub>L</sub> 1 <sub>L</sub>	● black
A	N Ⓞ 2 <sub>L</sub> 1 <sub>L</sub>	○ white
Q	N PE1 PE2 L	● green

## WINSTA® MIDI

### Strain Relief Housings for Different Cable Diameters, 4-Pole

#### 770 Series

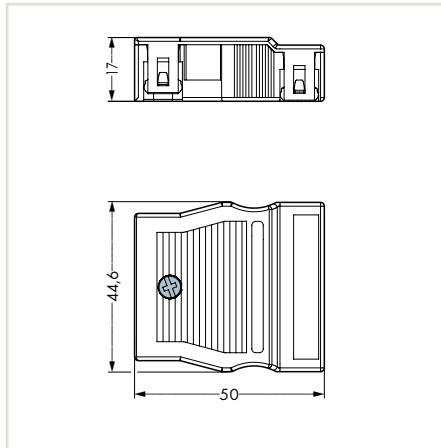


Snap-on type strain relief housings for:

- 4-pole sockets
- 4-pole plugs



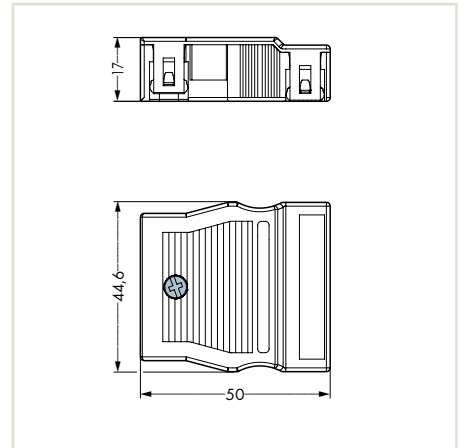
Dimensions (in mm):



Strain relief housing,  
for two cables,  
for 5 ... 9 mm cable diameter,  
55 mm strip length

Color	Item No.	Pack. Unit
black	770-504/023-000	50
white	770-514/023-000	50


Dimensions (in mm):




Strain relief housing,  
for two cables,  
for 9 ... 13 mm cable diameter,  
55 mm strip length

Color	Item No.	Pack. Unit
black	770-504	50
white	770-514	50

All strain relief housings are suitable for H05VV and NYM cables.  
Other cables are available upon request.

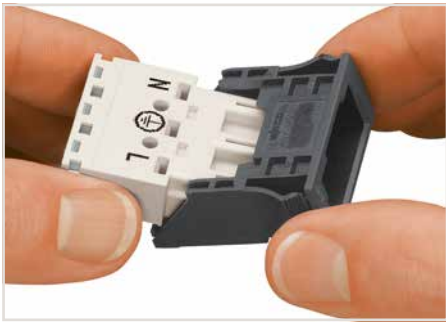
 Marking strips,  
see page 369

 Approvals,  
see [www.wago.com](http://www.wago.com)

# WINSTA® MIDI

## Snap-In Frames, 4-Pole

### 770 Series

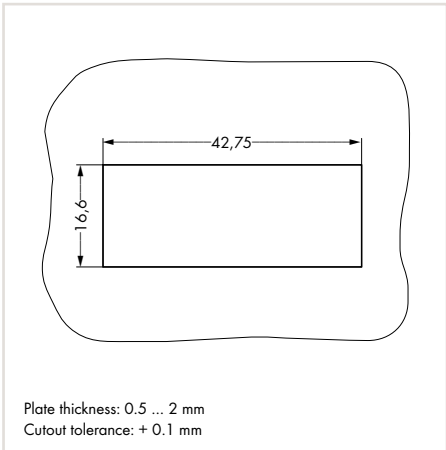


Insert the socket or plug into the frame (observe the "TOP" marking on the frame!), then snap the assembled unit into the cutout (example shows a 3-pole connector).

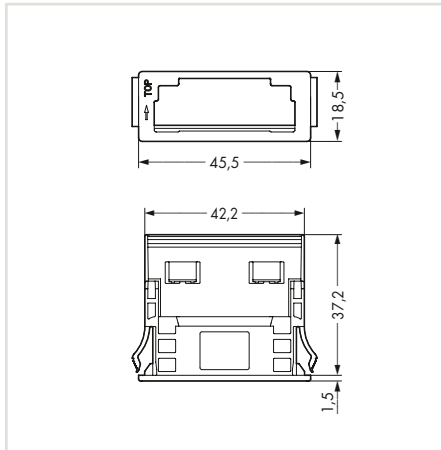


3

Dimensions (in mm):



Dimensions (in mm):



Snap-in frame, for 4-pole sockets and plugs

Color	Item No.	Pack. Unit
black	770-319	100
white	770-339	100

# WINSTA® MIDI

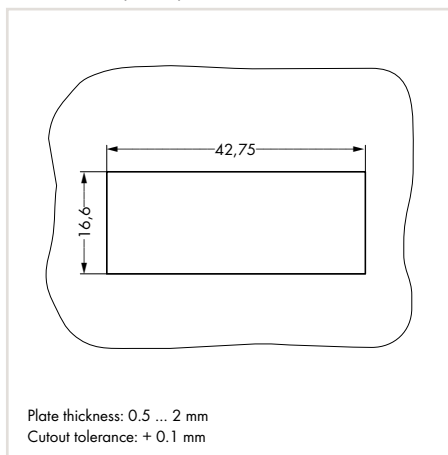
## Snap-In Sockets and Plugs, 4-Pole

### 770 Series

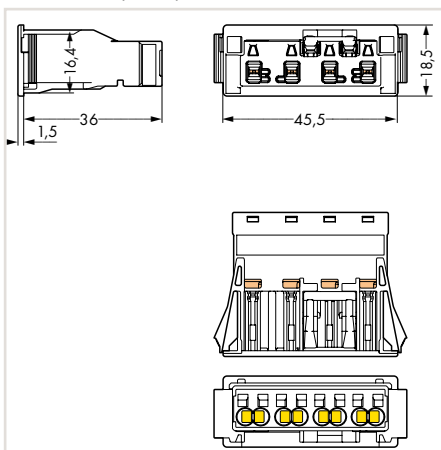
Conductor range, solid and fine-stranded	0.5 ... 4 mm <sup>2</sup> / 20 ... 12 AWG
Conductor range, stranded	0.5 ... 2.5 mm <sup>2</sup> / 20 ... 14 AWG
Rated voltage	400 V
Rated current	25 A (32 A)
Strip length	9 mm / 0.35 inch



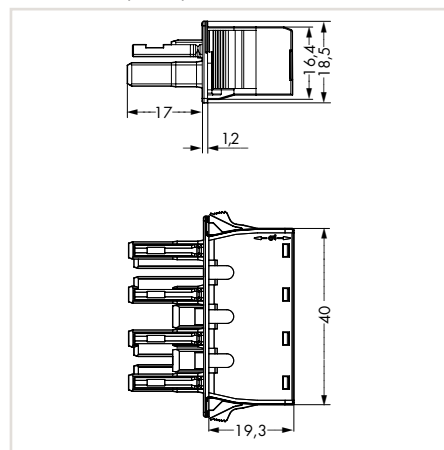
Dimensions (in mm):



Dimensions (in mm):



Dimensions (in mm):



Socket		
Color	Item No.	Pack. Unit
● black	770-704	100
○ white	770-724	100

Socket for "Clean Earth" applications (rated up to 32 A)		
Color	Item No.	Pack. Unit
● green	770-2324	100

Socket, with protruding interface		
Color	Item No.	Pack. Unit
● black	770-704/009-000	100
○ white	770-724/009-000	100

770 Series Accessories, see page 355

Approvals, see www.wago.com

Coding overview, see page 372

Coding	Marking	Color
A	N Ⓢ 2L 1L	● black
A	N Ⓢ 2L 1L	○ white
Q	N PE1 PE2 L	● green



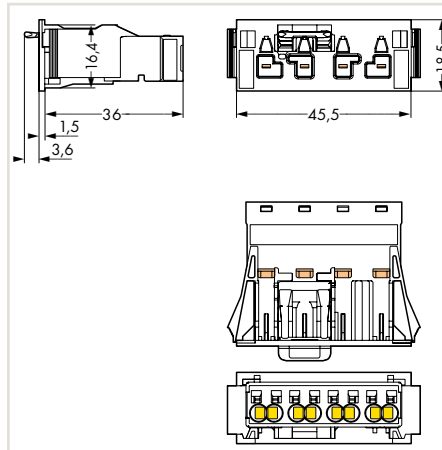
Varnish-piercing direct ground contact

Conductor range, solid and fine-stranded	0.5 ... 4 mm <sup>2</sup> / 20 ... 12 AWG
Conductor range, stranded	0.5 ... 2.5 mm <sup>2</sup> / 20 ... 14 AWG
Rated voltage	400 V
Rated current	25 A (32 A)
Strip length	9 mm / 0.35 inch

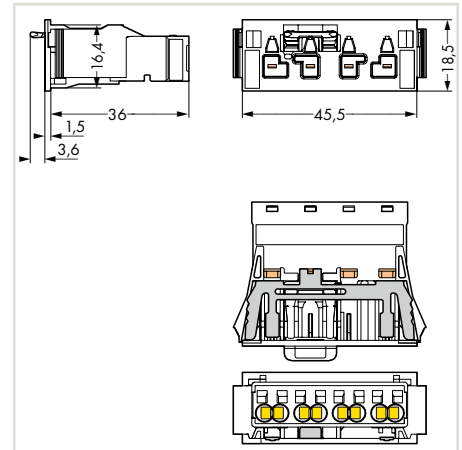


3

Dimensions (in mm):



Dimensions (in mm):



Plugs		
Color	Item No.	Pack. Unit
● black	770-714	100
○ white	770-734	100

Plug, with direct ground contact		
Color	Item No.	Pack. Unit
● black	770-714/007-000	100
○ white	770-734/007-000	100

Plug for "Clean Earth" applications (rated up to 32 A)		
Color	Item No.	Pack. Unit
● green	770-2334	100

Plug, with direct ground contact, (direct ground contact on position PE1), for "Clean Earth" applications (rated up to 32 A)		
Color	Item No.	Pack. Unit
● green	770-2334/007-000	100

Coding	Marking	Color
A	N Ⓞ 2 <sub>L</sub> 1 <sub>L</sub>	● black
A	N Ⓞ 2 <sub>L</sub> 1 <sub>L</sub>	○ white
Q	N PE1 PE2 L	● green

# WINSTA® MIDI

## Pluggable PCB Connectors, 4-Pole

### 770 Series

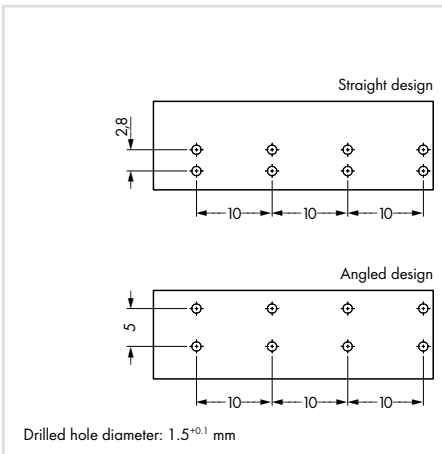
3

Rated voltage	400 V
Rated current	25 A

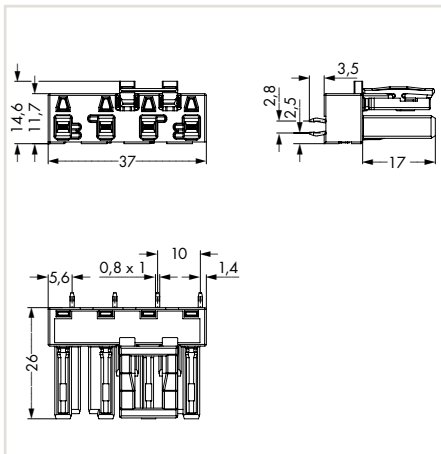
Rated voltage	400 V
Rated current	25 A



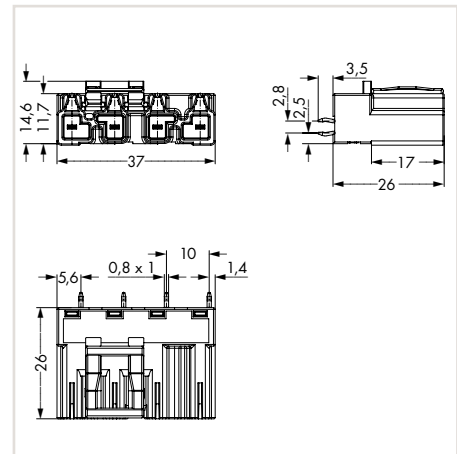
Dimensions (in mm):



Dimensions (in mm):



Dimensions (in mm):



Socket, straight		
Color	Item No.	Pack. Unit
● black	770-804	50
○ white	770-824	50

Plug, straight		
Color	Item No.	Pack. Unit
● black	770-814	50
○ white	770-834	50

770 Series Accessories, see page 355

Approvals, see www.wago.com

Coding overview, see page 372

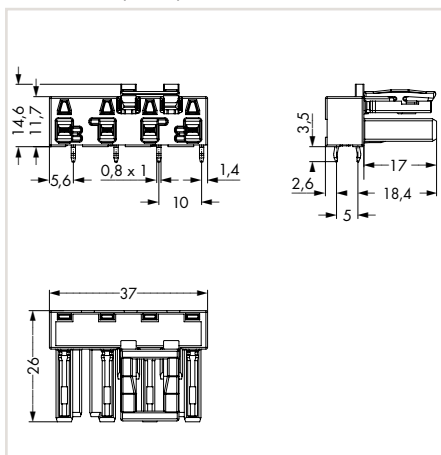
Coding	Marking	Color
A	N Ⓞ 1L 1L	● black
A	N Ⓞ 2L 1L	○ white

Rated voltage	400 V
Rated current	25 A

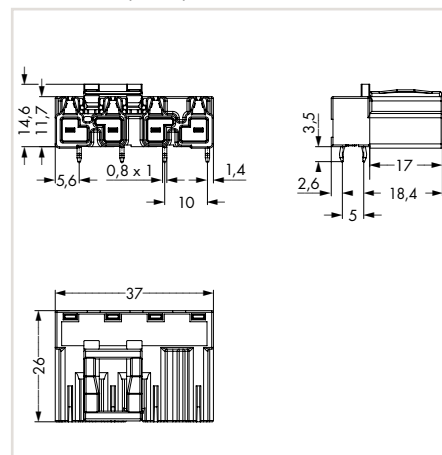


3

Dimensions (in mm):



Dimensions (in mm):



Socket, angled		
Color	Item No.	Pack. Unit
● black	770-804/011-000	50
○ white	770-824/011-000	50

Plug, angled		
Color	Item No.	Pack. Unit
● black	770-814/011-000	50
○ white	770-834/011-000	50

Coding	Marking	Color
A	N Ⓢ 2L 1L	● black
A	N Ⓢ 2L 1L	○ white

# WINSTA® MIDI

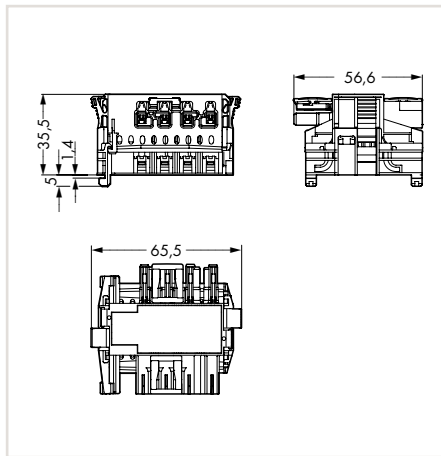
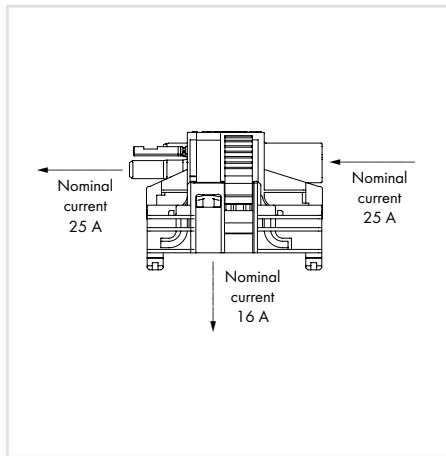
## Linect® T-Distribution Connectors and T-Connectors, 4-Pole 770 Series

Rated voltage	400 V
Rated current	25 A

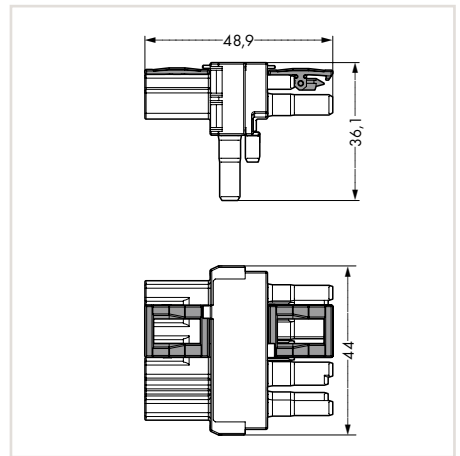
3



Dimensions (in mm):



Dimensions (in mm):



Linect® T-connector, socket – plug, white housing, white cover, for lighting connectors 294-8024 and 294-8124

Color	Item No.	Pack. Unit
○ white	770-6224	25

T-distribution connector, 1 x plug/2 x socket

Color	Item No.	Pack. Unit
● black	770-626	50
○ white	770-676	50

T-distribution connector, 1 x plug/2 x socket, for "flying leads," with 3rd locking lever

Color	Item No.	Pack. Unit
● black	770-627	50
○ white	770-677	50

770 Series Accessories, see page 355

Approvals, see www.wago.com

Coding overview, see page 372

Coding	Marking	Color
A	N Ⓞ 2L 1L	● black
A	N Ⓞ 2L 1L	○ white



## WINSTA® MIDI

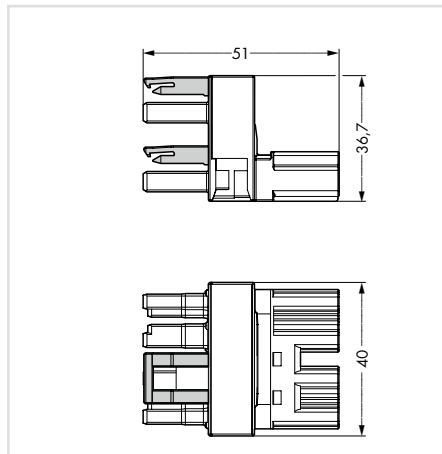
### h-Distribution Connectors, 4-Pole

#### 770 Series

Rated voltage	400 V
Rated current	25 A



Dimensions (in mm):



h-distribution connector, unidirectional,  
plug/socket – socket

Color	Item No.	Pack. Unit
● black	770-944	25
○ white	770-994	25

h-distribution connector, unidirectional,  
plug/socket – socket,  
for “flying leads,”  
with 3rd locking lever

Color	Item No.	Pack. Unit
● black	770-945	25
○ white	770-995	25

Coding	Marking	Color
A	N Ⓢ 2L 1L	● black
A	N Ⓢ 2L 1L	○ white

# WINSTA® MIDI

## Cable Assemblies 4 x 1.5 mm<sup>2</sup>, PVC

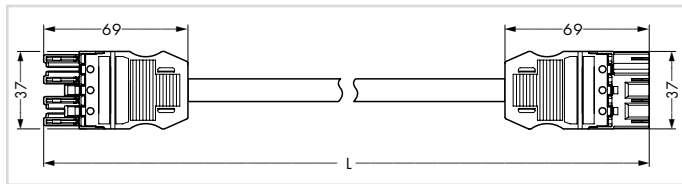
### 771 Series

PVC	H05VV-F 4G1.5
-----	---------------

Rated voltage	400 V
Rated current	16 A
Strip length	9 mm / 0.35 inch
Conductor preparation	tip-bonded



Dimensions (in mm):

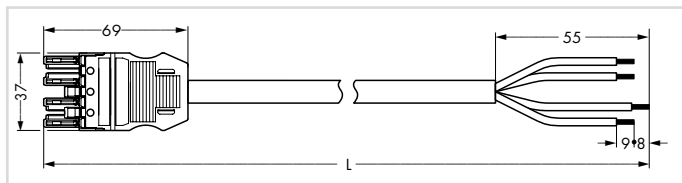


Interconnecting cable, socket – plug, PVC, A-coding

Length	● black	○ white	Pack. Unit
1 m	771-9994/006-101	771-9994/006-102	1
2 m	771-9994/006-201	771-9994/006-202	1
3 m	771-9994/006-301	771-9994/006-302	1
4 m	771-9994/006-401	771-9994/006-402	1
5 m	771-9994/006-501	771-9994/006-502	1
6 m	771-9994/006-601	771-9994/006-602	1
7 m	771-9994/006-701	771-9994/006-702	1
8 m	771-9994/006-801	771-9994/006-802	1



Dimensions (in mm):

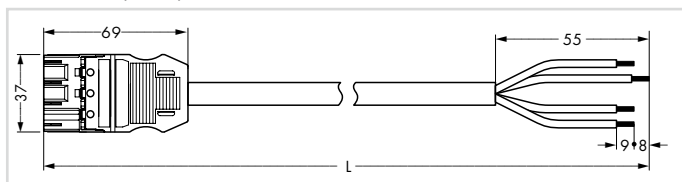


Connecting cable, socket – free end, PVC, A-coding

Length	● black	○ white	Pack. Unit
1 m	771-9994/106-101	771-9994/106-102	1
2 m	771-9994/106-201	771-9994/106-202	1
3 m	771-9994/106-301	771-9994/106-302	1
4 m	771-9994/106-401	771-9994/106-402	1
5 m	771-9994/106-501	771-9994/106-502	1
6 m	771-9994/106-601	771-9994/106-602	1
7 m	771-9994/106-701	771-9994/106-702	1
8 m	771-9994/106-801	771-9994/106-802	1



Dimensions (in mm):



Connecting cable, plug – free end, PVC, A-coding

Length	● black	○ white	Pack. Unit
1 m	771-9994/206-101	771-9994/206-102	1
2 m	771-9994/206-201	771-9994/206-202	1
3 m	771-9994/206-301	771-9994/206-302	1
4 m	771-9994/206-401	771-9994/206-402	1
5 m	771-9994/206-501	771-9994/206-502	1
6 m	771-9994/206-601	771-9994/206-602	1
7 m	771-9994/206-701	771-9994/206-702	1
8 m	771-9994/206-801	771-9994/206-802	1

Additional cable lengths available upon request.

771 Series Accessories, see page 355

Approvals, see www.wago.com

Codings, see page 372

Coding	Marking	Color
A	N ⊕ 2 <sub>L</sub> 1 <sub>L</sub>	● black
A	N ⊕ 2 <sub>L</sub> 1 <sub>L</sub>	○ white

# WINSTA® MIDI

## Cable Assemblies 4 x 1.5 mm<sup>2</sup>, Halogen-Free

### 771 Series

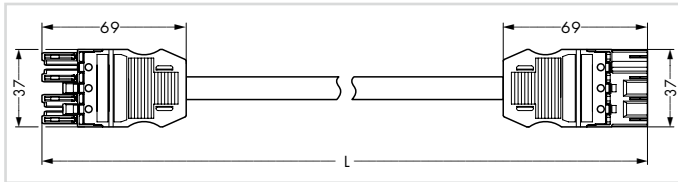
halogen-free

H05Z1Z1-F 4G1.5

Rated voltage	400 V
Rated current	16 A
Strip length	9 mm / 0.35 inch
Conductor preparation	tip-bonded



Dimensions (in mm):

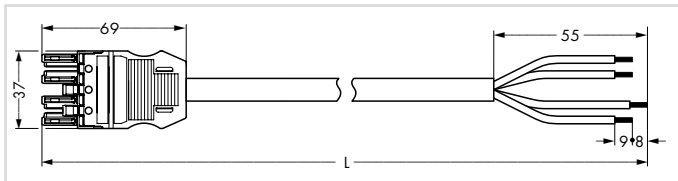


Interconnecting cable, socket – plug, halogen-free, A-coding

Length	● black	○ white	Pack. Unit
1 m	771-9994/016-101	771-9994/016-102	1
2 m	771-9994/016-201	771-9994/016-202	1
3 m	771-9994/016-301	771-9994/016-302	1
4 m	771-9994/016-401	771-9994/016-402	1
5 m	771-9994/016-501	771-9994/016-502	1
6 m	771-9994/016-601	771-9994/016-602	1
7 m	771-9994/016-701	771-9994/016-702	1
8 m	771-9994/016-801	771-9994/016-802	1



Dimensions (in mm):

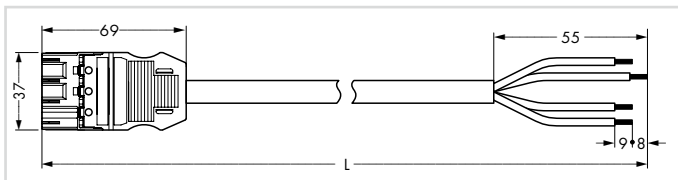


Connecting cable, socket – free end, halogen-free, A-coding

Length	● black	○ white	Pack. Unit
1 m	771-9994/116-101	771-9994/116-102	1
2 m	771-9994/116-201	771-9994/116-202	1
3 m	771-9994/116-301	771-9994/116-302	1
4 m	771-9994/116-401	771-9994/116-402	1
5 m	771-9994/116-501	771-9994/116-502	1
6 m	771-9994/116-601	771-9994/116-602	1
7 m	771-9994/116-701	771-9994/116-702	1
8 m	771-9994/116-801	771-9994/116-802	1



Dimensions (in mm):



Connecting cable, plug – free end, halogen-free, A-coding

Length	● black	○ white	Pack. Unit
1 m	771-9994/216-101	771-9994/216-102	1
2 m	771-9994/216-201	771-9994/216-202	1
3 m	771-9994/216-301	771-9994/216-302	1
4 m	771-9994/216-401	771-9994/216-402	1
5 m	771-9994/216-501	771-9994/216-502	1
6 m	771-9994/216-601	771-9994/216-602	1
7 m	771-9994/216-701	771-9994/216-702	1
8 m	771-9994/216-801	771-9994/216-802	1

Coding	Marking	Color
A	N Ⓝ 2L 1L	● black
A	N Ⓝ 2L 1L	○ white

# WINSTA® MIDI

## Sockets and Plugs, 5-Pole 770 Series

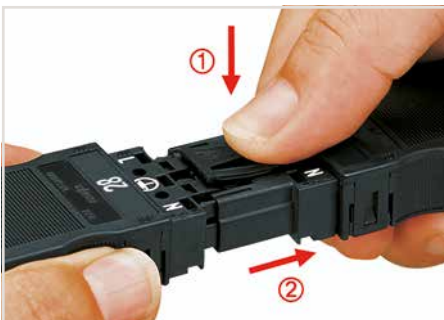


Snap on locking lever – observe direction (picture shows 3-pole plug).

Conductor range, solid and fine-stranded	0.5 ... 4 mm <sup>2</sup> / 20 ... 12 AWG
Conductor range, stranded	0.5 ... 2.5 mm <sup>2</sup> / 20 ... 14 AWG
Rated voltage	400 V
Rated current	25 A
Strip length	9 mm / 0.35 inch



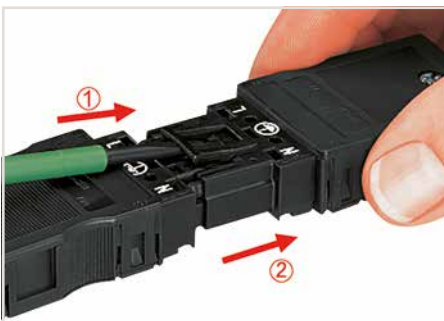
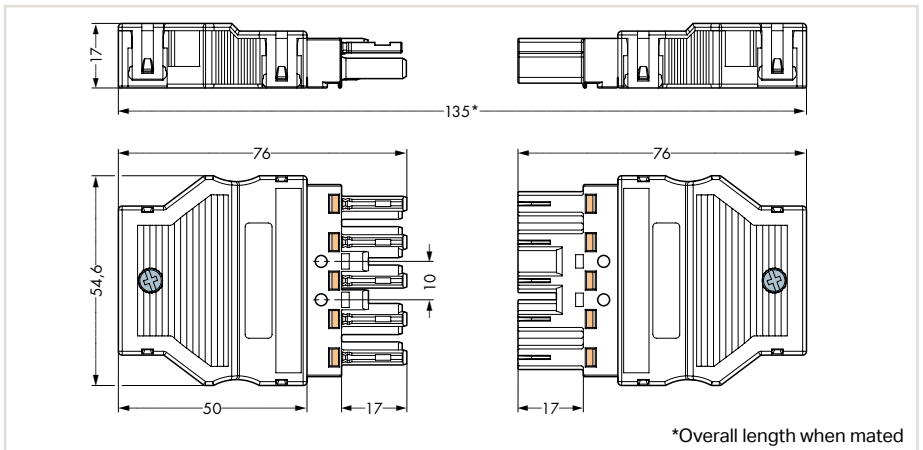
3



Locking lever, manually operated (picture shows 3-pole connectors):

- Push on locking lever
- Pull the connectors apart

Dimensions (in mm):



Locking lever, tool operated (picture shows 3-pole connectors):

- Unlatch locking lever
- Pull the connectors apart

Socket, with strain relief housing, for two cables, 9 ... 13 mm cable diameter, 55 mm strip length

Color	Item No.	Pack. Unit
● black	770-105	25
○ white	770-125	25

Plug, with strain relief housing, for two cables, 9 ... 13 mm cable diameter, 55 mm strip length

Color	Item No.	Pack. Unit
● black	770-115	25
○ white	770-135	25

**Note:**

All connectors for fixed installations (snap-in versions for lighting fixtures or devices, all types of PCB and distribution connectors) are factory-equipped with locking levers to ensure plugs and sockets are securely locked. Additional locking levers are only required for "flying leads" (plug/socket).

770 Series Accessories, see page 355

Approvals, see www.wago.com

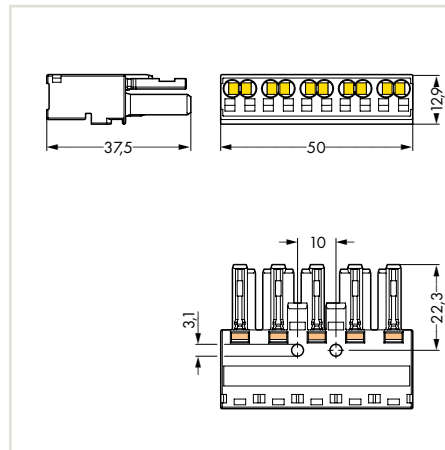
Coding overview, see page 372

Coding	Marking	Color
A	N ⊕ L1 L2 L3	● black
A	N ⊕ L1 L2 L3	○ white

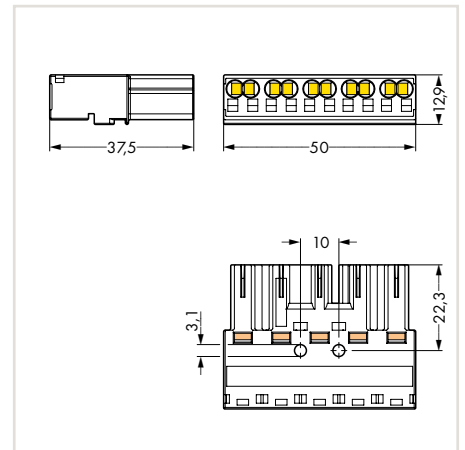
Conductor range, solid and fine-stranded	0.5 ... 4 mm <sup>2</sup> / 20 ... 12 AWG
Conductor range, stranded	0.5 ... 2.5 mm <sup>2</sup> / 20 ... 14 AWG
Rated voltage	400 V
Rated current	25 A (32 A)
Strip length	9 mm / 0.35 inch



Dimensions (in mm):



Dimensions (in mm):


**Socket,  
without strain relief housing**

Color	Item No.	Pack. Unit
● black	770-205	50
○ white	770-225	50
● blue	770-1105	50
● dark gray	770-1165	50
● red	770-1305	50

**Plug,  
without strain relief housing**

Color	Item No.	Pack. Unit
● black	770-215	50
○ white	770-235	50
● blue	770-1115	50
● dark gray	770-1175	50
● red	770-1315	50

**Socket,  
without strain relief housing,  
for "Clean Earth" applications (rated up to 32 A)**

Color	Item No.	Pack. Unit
● green	770-1325	50

**Plug,  
without strain relief housing,  
for "Clean Earth" applications (rated up to 32 A)**

Color	Item No.	Pack. Unit
● green	770-1335	50

Coding	Marking	Color
A	N ⊕ L1 L2 L3	● black
A	N ⊕ L1 L2 L3	○ white
I	N ⊕ L DA- DA+	● blue
L	N ⊕ L N' L'	● dark gray
P	N ⊕ L1 L2 L3	● red
Q	N PE1 PE2 PE3 L	● green

# WINSTA® MIDI

## Sockets and Plugs, 5-Pole, 1-Conductor

### 770 Series

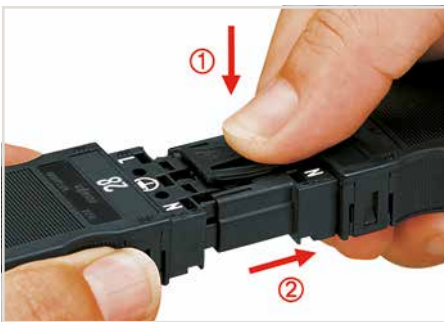


Snap on locking lever – observe direction (picture shows 3-pole plug).

Conductor range, solid and fine-stranded	0.5 ... 4 mm <sup>2</sup> / 20 ... 12 AWG
Conductor range, stranded	0.5 ... 2.5 mm <sup>2</sup> / 20 ... 14 AWG
Rated voltage	400 V
Rated current	25 A
Strip length	9 mm / 0.35 inch



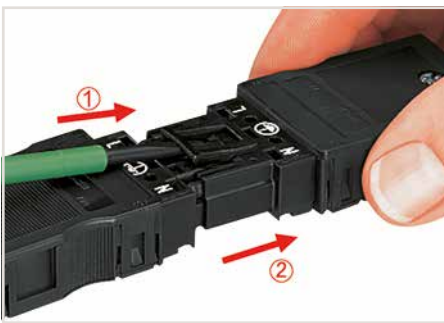
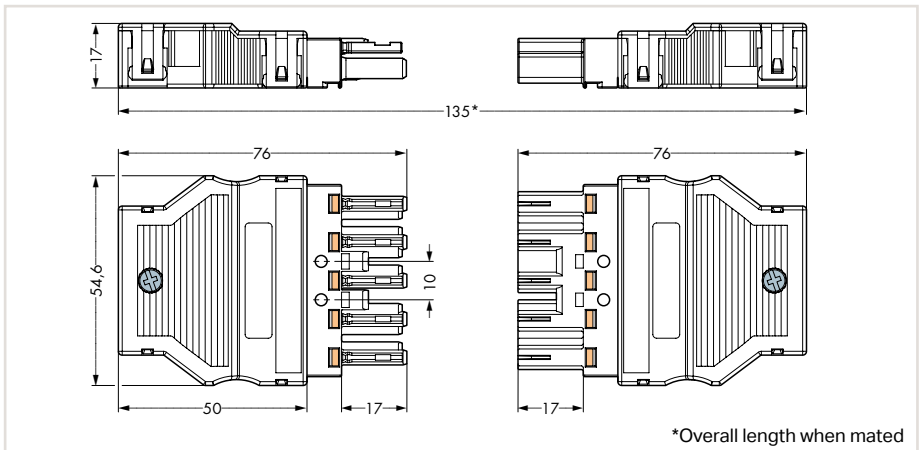
3



Locking lever, manually operated (picture shows 3-pole connectors):

- Push on locking lever
- Pull the connectors apart

Dimensions (in mm):



Locking lever, tool operated (picture shows 3-pole connectors):

- Unlatch locking lever
- Pull the connectors apart

Socket, with strain relief housing, for one cable, 9 ... 13 mm cable diameter, 55 mm strip length

Color	Item No.	Pack. Unit
● black	770-305	25
○ white	770-325	25

Plug, with strain relief housing, for one cable, 9 ... 13 mm cable diameter, 55 mm strip length

Color	Item No.	Pack. Unit
● black	770-315	25
○ white	770-335	25

**Note:**

All connectors for fixed installations (snap-in versions for lighting fixtures or devices, all types of PCB and distribution connectors) are factory-equipped with locking levers to ensure plugs and sockets are securely locked. Additional locking levers are only required for "flying leads" (plug/socket).

770 Series Accessories, see page 355

Approvals, see www.wago.com

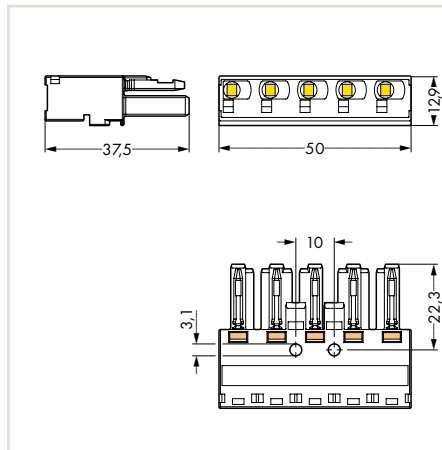
Coding overview, see page 372

Coding	Marking	Color
A	N ⊕ L1 L2 L3	● black
A	N ⊕ L1 L2 L3	○ white

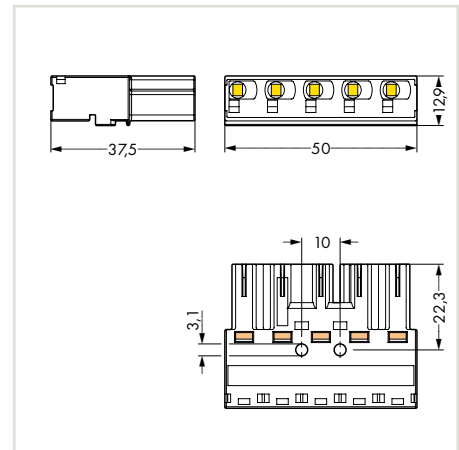
Conductor range, solid and fine-stranded	0.5 ... 4 mm <sup>2</sup> / 20 ... 12 AWG
Conductor range, stranded	0.5 ... 2.5 mm <sup>2</sup> / 20 ... 14 AWG
Rated voltage	400 V
Rated current	25 A
Strip length	9 mm / 0.35 inch



Dimensions (in mm):



Dimensions (in mm):



**Socket,  
without strain relief housing**

Color	Item No.	Pack. Unit
● black	770-405	50
○ white	770-425	50

**Plug,  
without strain relief housing**

Color	Item No.	Pack. Unit
● black	770-415	50
○ white	770-435	50

Coding	Marking	Color
A	N Ⓞ L1 L2 L3	● black
A	N Ⓞ L1 L2 L3	○ white

3



# WINSTA® MIDI

## Strain Relief Housings for Different Cable Diameters, 5-Pole 770 Series

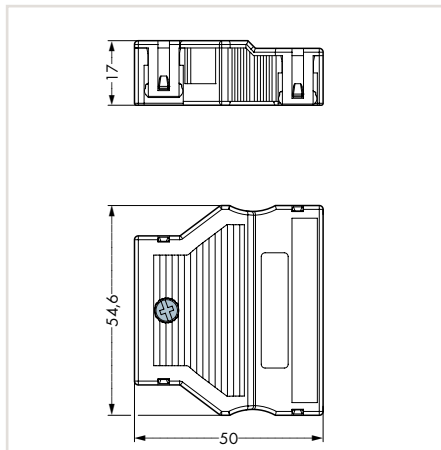


Snap-on type strain relief housings for:

- 5-pole sockets
- 5-pole plugs



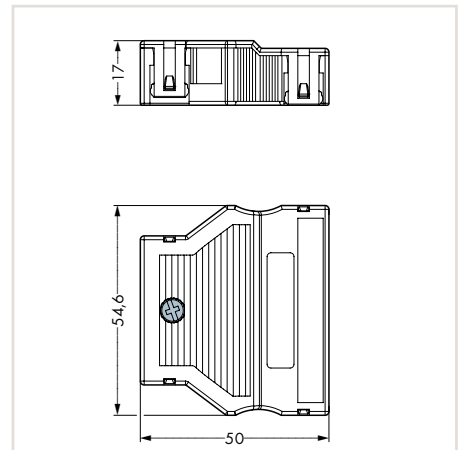
Dimensions (in mm):



Strain relief housing, for two cables, for 5 ... 9 mm cable diameter, 55 mm strip length

Color	Item No.	Pack. Unit
black	770-505/023-000	25
white	770-515/023-000	25

Dimensions (in mm):



Strain relief housing, for two cables, for 9 ... 13 mm cable diameter, 55 mm strip length

Color	Item No.	Pack. Unit
black	770-505	25
white	770-515	25

All strain relief housings are suitable for H05VV and NYM cables. Other cables are available upon request.

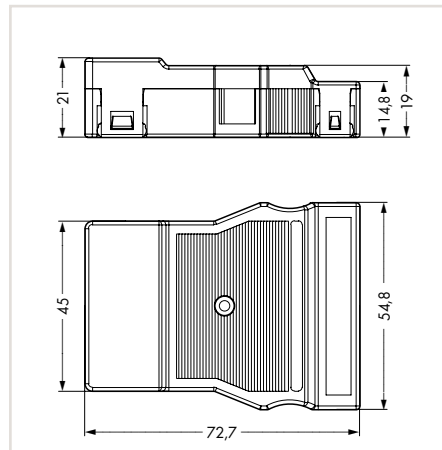
Marking strips, see page 369

Approvals, see www.wago.com





Dimensions (in mm):



Strain relief housing,  
for one cable, 11.5 ... 16.5 mm cable diameter,  
71 mm strip length

Color	Item No.	Pack. Unit
black	770-505/021-000	25
white	770-515/021-000	25

# WINSTA® MIDI

## Snap-In Sockets and Plugs, 5-Pole

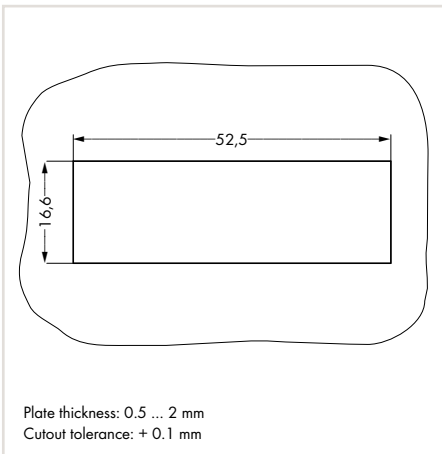
### 770 Series

3

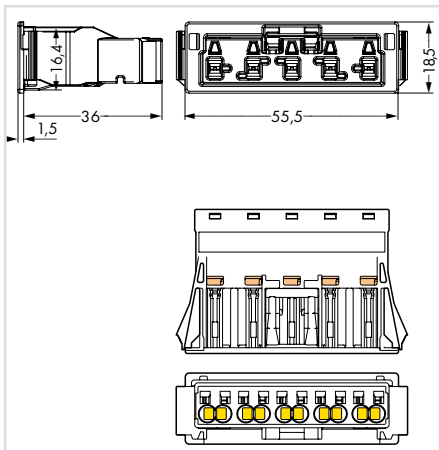
Conductor range, solid and fine-stranded	0.5 ... 4 mm <sup>2</sup> / 20 ... 12 AWG
Conductor range, stranded	0.5 ... 2.5 mm <sup>2</sup> / 20 ... 14 AWG
Rated voltage	400 V
Rated current	25 A (32 A)
Strip length	9 mm / 0.35 inch



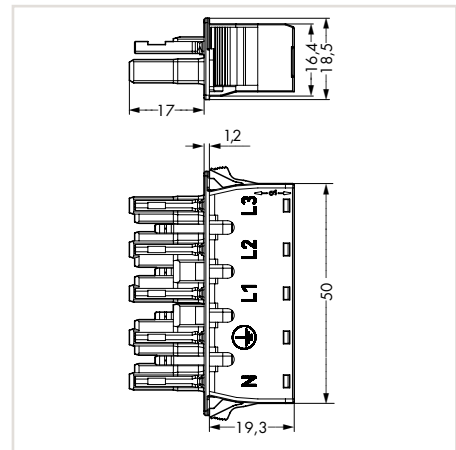
Dimensions (in mm):



Dimensions (in mm):



Dimensions (in mm):



Socket		
Color	Item No.	Pack. Unit
● black	770-705	50
○ white	770-725	50
● blue	770-2105	50
● red	770-2305	50

Socket for "Clean Earth" applications (rated up to 32 A)		
Color	Item No.	Pack. Unit
● green	770-2325	50

Socket, with protruding interface		
Color	Item No.	Pack. Unit
● black	770-705/009-000	50
○ white	770-725/009-000	50

770 Series Accessories, see page 355

Approvals, see www.wago.com

Coding overview, see page 372

Coding

A
A
I
P
Q

Marking

N ⊕ L1 L2 L3
N ⊕ L1 L2 L3
N ⊕ L DA- DA+
N ⊕ L1 L2 L3
N PE1 PE2 PE3 L

Color

● black
○ white
● blue
● red
● green



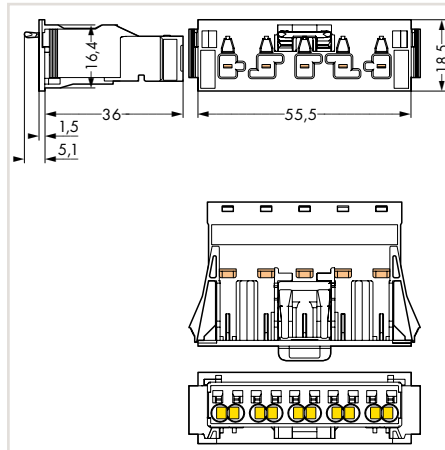
Varnish-piercing direct ground contact

Conductor range, solid and fine-stranded
Conductor range, stranded
Rated voltage
Rated current
Strip length

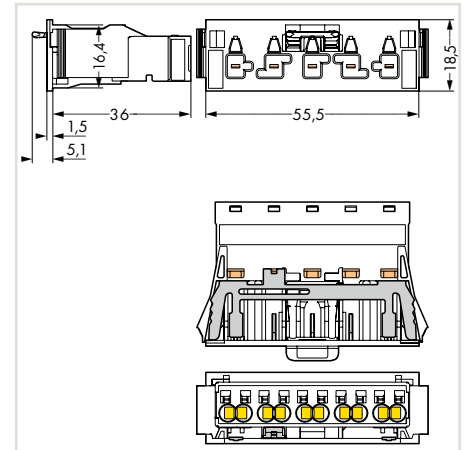
0.5 ... 4 mm <sup>2</sup> / 20 ... 12 AWG
0.5 ... 2.5 mm <sup>2</sup> / 20 ... 14 AWG
400 V
25 A (32 A)
9 mm / 0.35 inch



Dimensions (in mm):



Dimensions (in mm):



Plugs		
Color	Item No.	Pack. Unit
● black	770-715	50
○ white	770-735	50
● blue	770-2115	50
● red	770-2315	50

Plug, with direct ground contact		
Color	Item No.	Pack. Unit
● black	770-715/007-000	50
○ white	770-735/007-000	50
● blue	770-2115/007-000	50

Plug for "Clean Earth" applications (rated up to 32 A)		
Color	Item No.	Pack. Unit
● green	770-2335	50

Plug, with direct ground contact, (direct ground contact on position PE1), for "Clean Earth" applications (rated up to 32 A)		
Color	Item No.	Pack. Unit
● green	770-2335/007-000	50

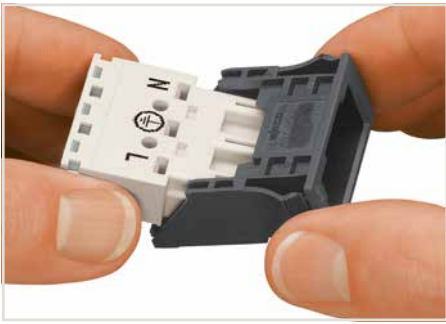
Coding	Marking	Color
A	N ⊕ L1 L2 L3	● black
A	N ⊕ L1 L2 L3	○ white
I	N ⊕ L DA- DA+	● blue
P	N ⊕ L1 L2 L3	● red
Q	N PE1 PE2 PE3 L	● green

3

# WINSTA® MIDI

## Snap-In Frames, 5-Pole

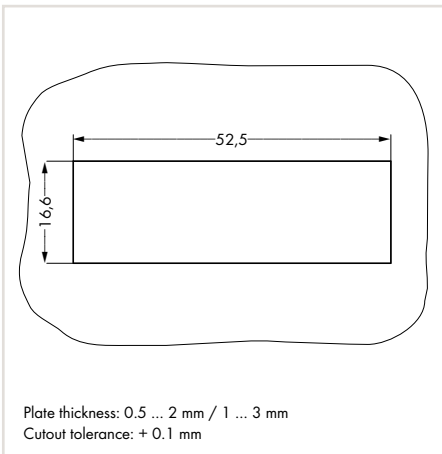
### 770 Series



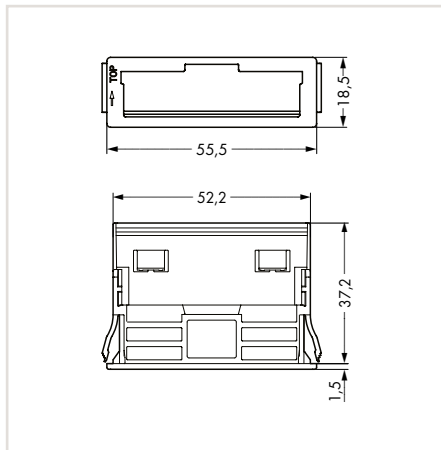
3 Insert the socket or plug into the frame (observe the "TOP" marking on the frame!), then snap the assembled unit into the cutout (example shows a 3-pole connector).



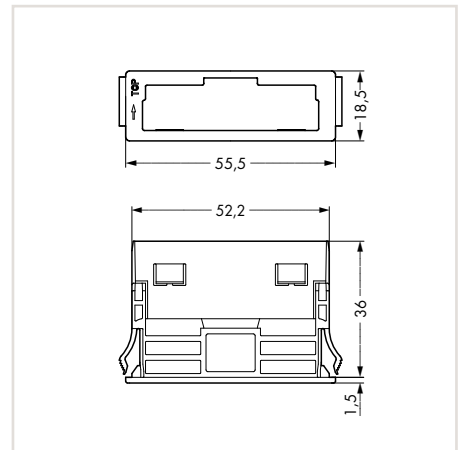
Dimensions (in mm):



Dimensions (in mm):



Dimensions (in mm):



Snap-in frame,  
for 0.5 ... 2 mm plate thickness

Color	Item No.	Pack. Unit
black	770-321	100
white	770-341	100

Snap-in frame,  
for 1 ... 3 mm plate thickness  
for A-coding/B//P/Q

Color	Item No.	Pack. Unit
black	770-320	100
white	770-340	100

770 Series Accessories,  
see page 355

Approvals,  
see [www.wago.com](http://www.wago.com)

Coding overview,  
see page 372



# WINSTA® MIDI

## Pluggable PCB Connectors, 5-Pole

### 770 Series

3

Rated voltage

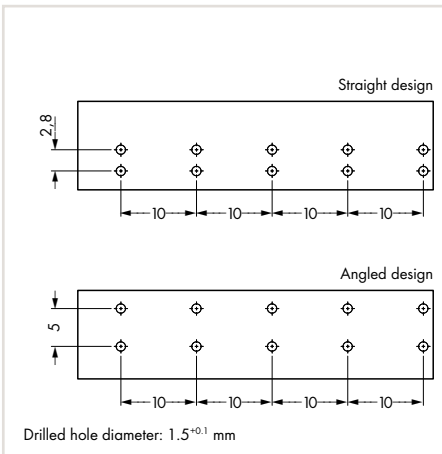
400 V

Rated current

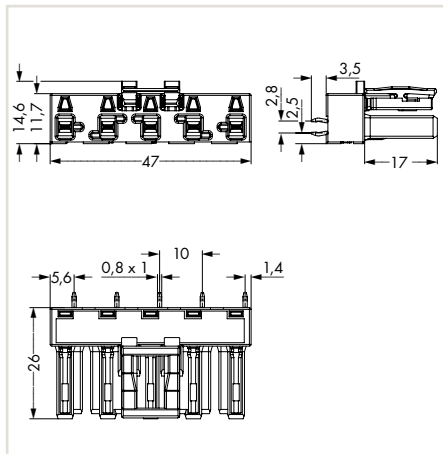
25 A



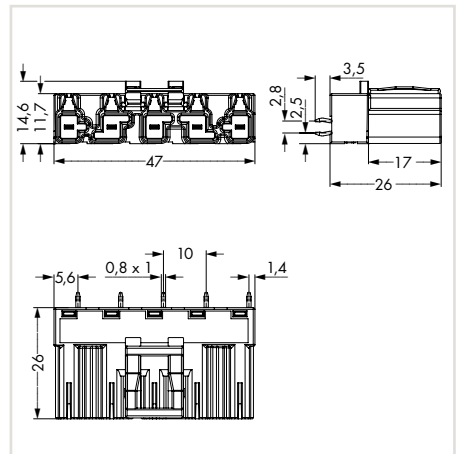
Dimensions (in mm):



Dimensions (in mm):



Dimensions (in mm):



#### Socket, straight

Color	Item No.	Pack. Unit
● black	770-805	50
○ white	770-825	50
● blue	770-3105	50

#### Plug, straight

Color	Item No.	Pack. Unit
● black	770-815	50
○ white	770-835	50
● blue	770-3115	50

770 Series Accessories, see page 355

Approvals, see www.wago.com

Coding overview, see page 372

Coding

A

A

I

Marking

N ⊕ L1 L2 L3

N ⊕ L1 L2 L3

N ⊕ L DA- DA+

Color

● black

○ white

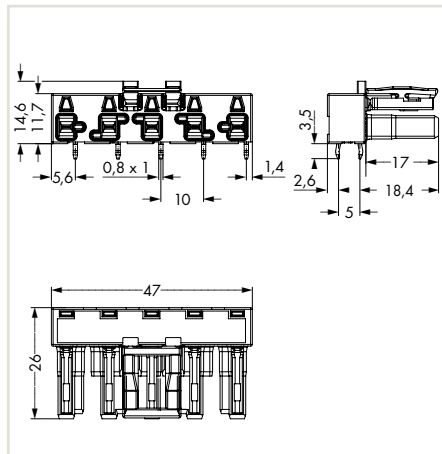
● blue

Rated voltage	400 V
Rated current	25 A

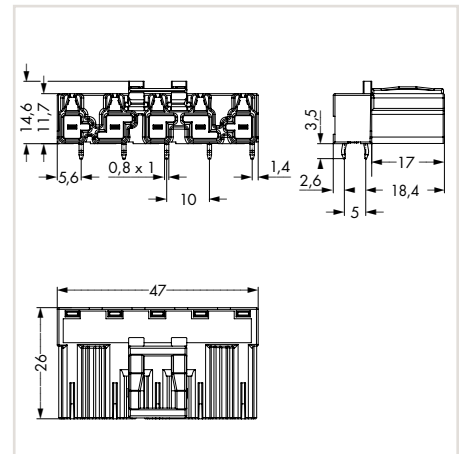


3

Dimensions (in mm):



Dimensions (in mm):



Socket, angled		
Color	Item No.	Pack. Unit
● black	770-805/011-000	50
○ white	770-825/011-000	50
● blue	770-3105/011-000	50

Plug, angled		
Color	Item No.	Pack. Unit
● black	770-815/011-000	50
○ white	770-835/011-000	50
● blue	770-3115/011-000	50

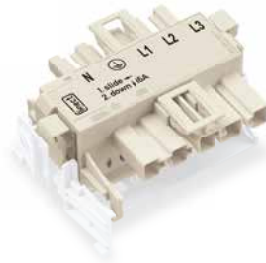
Coding	Marking	Color
A	N Ⓞ L1 L2 L3	● black
A	N Ⓞ L1 L2 L3	○ white
I	N Ⓞ L DA- DA+	● blue

# WINSTA® MIDI

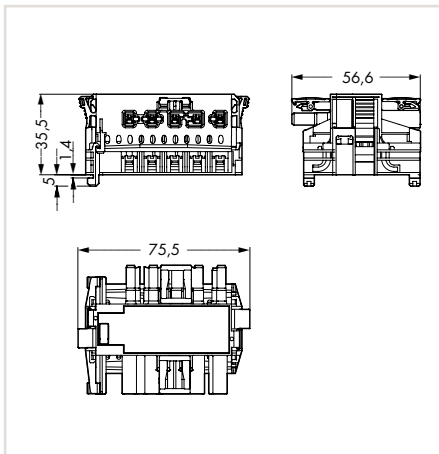
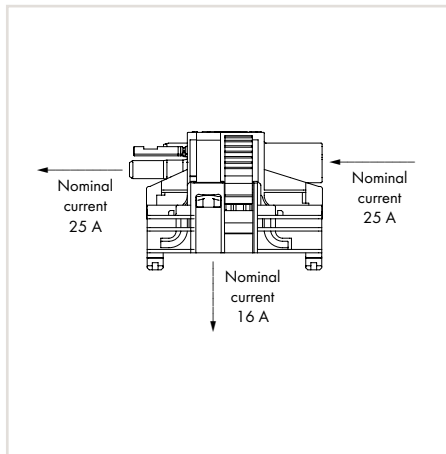
## Linect® T-Distribution Connectors and T-Connectors, 5-Pole 770 Series

Rated voltage	400 V
Rated current	25 A

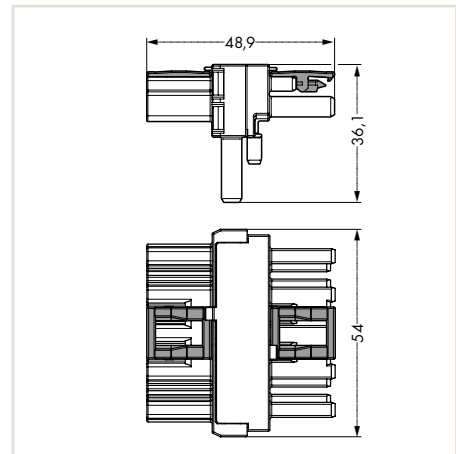
3



Dimensions (in mm):



Dimensions (in mm):



Linect® T-connector, socket – plug, white housing, white cover, for lighting connectors 294-8015 and 294-8115

Color	Item No.	Pack. Unit
○ white	770-6225	25

Linect® T-connector, socket – plug, for DALI applications, white housing, blue cover, for lighting connectors 294-8035 and 294-8135

Color	Item No.	Pack. Unit
● blue	770-7105	20

Linect® T-connector, socket – plug, white housing, dark gray cover for lighting connectors 294-8025 and 294-8125

Color	Item No.	Pack. Unit
● dark gray	770-7505	20

T-distribution connector, 1 x plug/2 x socket

Color	Item No.	Pack. Unit
● black	770-621	50
○ white	770-671	50
● blue	770-617	50
● red	770-921	50

T-distribution connector, 1 x plug/2 x socket, for "flying leads," with 3rd locking lever

Color	Item No.	Pack. Unit
● black	770-622	50
○ white	770-672	50
● blue	770-620	50
● red	770-922	50

- 770 Series Accessories, see page 355
- Approvals, see www.wago.com
- Coding overview, see page 372

Coding	Marking	Color
A	N ⊕ L1 L2 L3	● black
A	N ⊕ L1 L2 L3	○ white
I	N ⊕ L DA- DA+	● blue
L	N ⊕ L N' L'	● dark gray
P	N ⊕ L1 L2 L3	● red



## WINSTA® MIDI

### Intermediate Couplers, 5-Pole

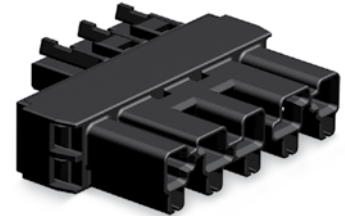
### 770 Series

Rated voltage

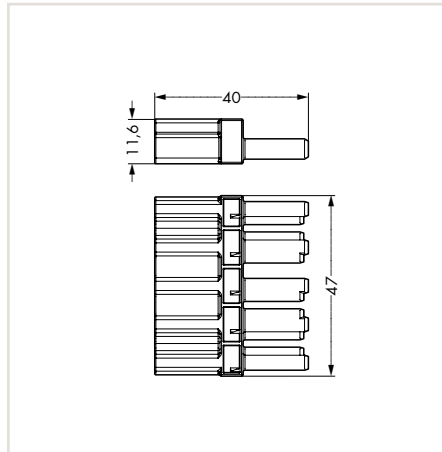
250 V / 400 V

Rated current

25 A

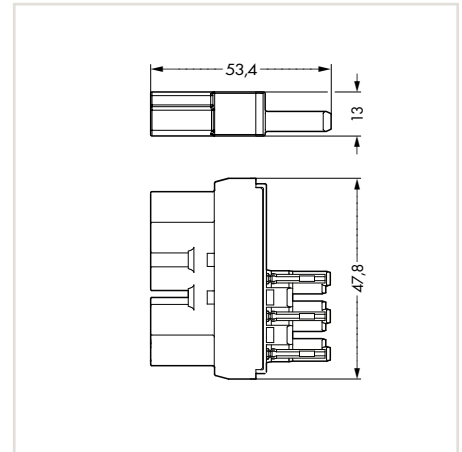


Dimensions (in mm):

Intermediate coupler,  
1 x plug/1 x socket

Color	Item No.	Pack. Unit
● black	770-605	100
○ white	770-655	100
● blue	770-619	100

Dimensions (in mm):

Intermediate coupler,  
5- to 3-pole, L1 – L

Color	Item No.	Pack. Unit
● black	770-901	100
○ white	770-951	100
● red	770-911	100

Intermediate coupler,  
5- to 3-pole, L2 – L

Color	Item No.	Pack. Unit
● black	770-902	100
○ white	770-952	100
● red	770-912	100

Intermediate coupler,  
5- to 3-pole, L3 – L

Color	Item No.	Pack. Unit
● black	770-903	100
○ white	770-953	100
● red	770-913	100

Coding	Marking	Color
A	-	● black
A	-	○ white
I	-	● blue
P	-	● red

# WINSTA® MIDI

## Distribution Connectors, 5-Pole

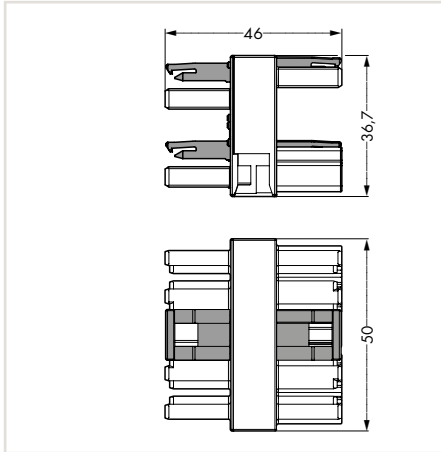
### 770 Series

3

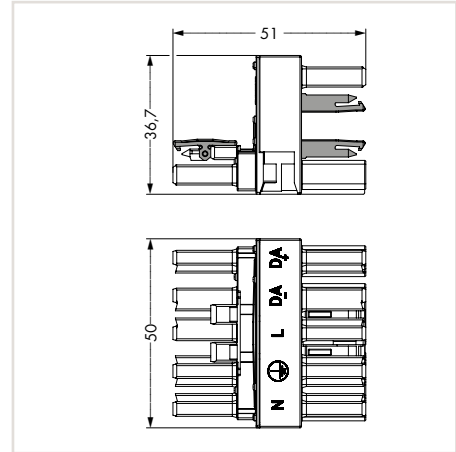
Rated voltage	400 V
Rated current	25 A



Dimensions (in mm):






Dimensions (in mm):



Distribution connector, 3-way, 1 x plug/3 x socket		
Color	Item No.	Pack. Unit
● black	770-609	25
○ white	770-659	25
● blue	770-618	50
● red	770-909	50

h-distribution connector, plug/socket – socket		
Color	Item No.	Pack. Unit
● blue	770-992	50

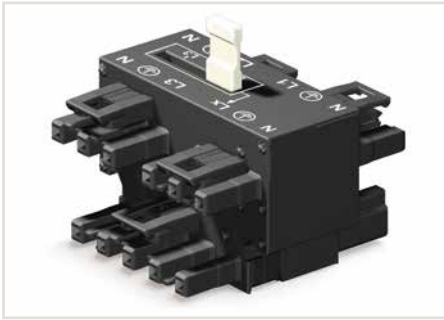
h-distribution connector, plug/socket – socket, for "flying leads," with 3rd locking lever		
Color	Item No.	Pack. Unit
● blue	770-993	50

-  770 Series Accessories, see page 355
-  Approvals, see www.wago.com
-  Coding overview, see page 372

Coding	Marking	Color
A	N Ⓞ L1 L2 L3	● black
A	N Ⓞ L1 L2 L3	○ white
I	N Ⓞ L DA- DA+	● blue
P	N Ⓞ L1 L2 L3	● red

# WINSTA® MIDI

## Three-Phase to Single-Phase Distribution Connectors with Phase Selection, 5-Pole 770 Series



Movable jumper

Rated voltage	250 V / 400 V
Rated current	25 A

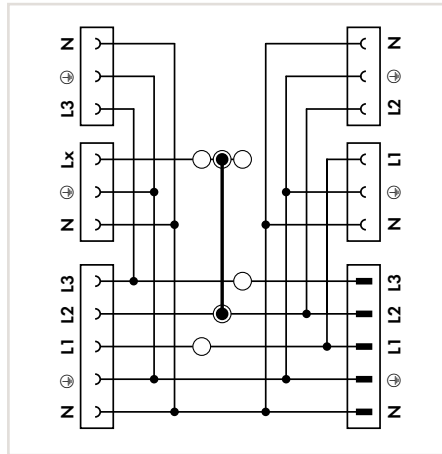
The different jumper positions allow for a wide range of different tap-off options to be selected. In addition to the 3 set tap-offs (L1/L2/L3), the selectable 4th tap-off provides for a high degree of flexibility before, during and after installation.



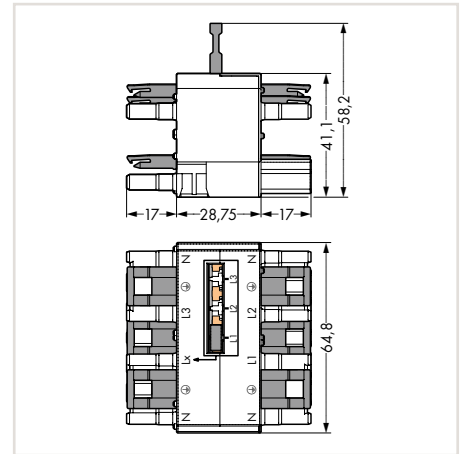
3



Jumper pushed down, flush with the housing (position L1)



Dimensions (in mm):



An additional h-distribution connector doubles L1. This results in the following connection options:  
 L1/L1/L2/L2/L3 with jumper in position L2  
 L1/L1/L2/L3/L3 with jumper in position L3

Distribution connector, three-phase to single-phase current

Color	Item No.	Pack. Unit
● black	770-640	10
○ white	770-690	10
● red	770-940	10



Additional h-distribution connectors double L1 and L3. This results in the following connection option:  
 L1/L1/L2/L2/L3/L3 with jumper in position L2  
 Notice: h-distribution connectors can only be plugged on L1 and L3.

Coding	Marking	Color
A	N ⊕ L1 L2 L3	● black
A	N ⊕ L1 L2 L3	○ white
P	N ⊕ L1 L2 L3	● red

# WINSTA® MIDI

## Distribution Connectors with Phase Selection, 5-Pole 770 Series



Lift jumper out of delivery position (L2) using a screwdriver and move it into the desired position.



Push down jumper in its new position (picture shows L3).



The 5-pole energy circuit can be extended using pluggable cable assemblies.



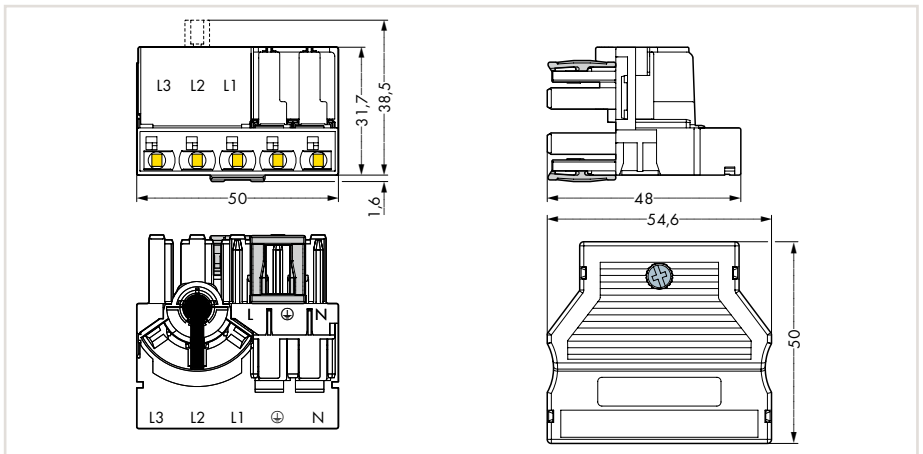
Plugging a 3-pole tap-off cable.

Conductor range, solid and fine-stranded	0.5 ... 4 mm <sup>2</sup> / 20 ... 12 AWG
Conductor range, stranded	0.5 ... 2.5 mm <sup>2</sup> / 20 ... 14 AWG
Rated voltage	400 V
Rated current	25 A
Strip length	9 mm / 0.35 inch

Tap-off: Socket, 3-pole, N ⊕ L  
 Through contact: Socket, 5-pole, N ⊕ L1 L2 L3



Dimensions (in mm):



Distribution connector, with phase selection, with strain relief housing, 9 ... 13 mm cable diameter, 55 mm strip length

Color	Item No.	Pack. Unit
● black	770-611	10
○ white	770-661	10

- 770/771 Series Accessories, see page 355
- Approvals, see www.wago.com
- Coding overview, see page 372

Coding	Marking	Color
A	N ⊕ L1 L2 L3	● black
A	N ⊕ L1 L2 L3	○ white

# WINSTA® MIDI

## Cable Assemblies 5 x 2.5 mm<sup>2</sup>

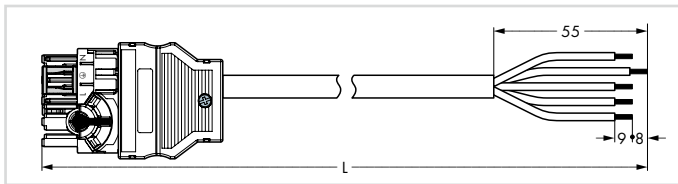
### 771 Series

PVC	H05VV-F 5G2.5
halogen-free	H05Z1Z1-F 5G2.5

Rated voltage	400 V
Rated current	20 A
Strip length	9 mm / 0.35 inch
Conductor preparation	tip-bonded



Dimensions (in mm):

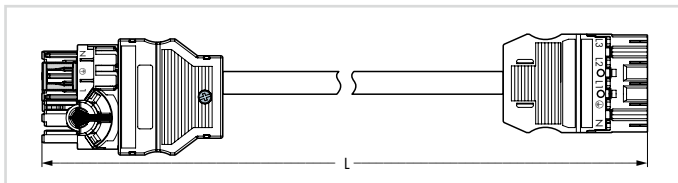


Connecting cable, distribution connectors with phase selection – free end, PVC, A-coding

Length	● black	○ white	Pack. Unit
1 m	771-8965/107-101	771-8965/107-102	1
2 m	771-8965/107-201	771-8965/107-202	1



Dimensions (in mm):



Connecting cable, distribution connectors with phase selection – free end, halogen-free, A-coding

Length	● black	○ white	Pack. Unit
1 m	771-8965/117-101	771-8965/117-102	1
2 m	771-8965/117-201	771-8965/117-202	1

Interconnecting cable, distribution connectors with phase selection – plug, PVC, A-coding

Length	● black	○ white	Pack. Unit
1 m	771-8965/007-101	771-8965/007-102	1
2 m	771-8965/007-201	771-8965/007-202	1

Interconnecting cable, distribution connectors with phase selection – plug, halogen-free, A-coding

Length	● black	○ white	Pack. Unit
1 m	771-8965/017-101	771-8965/017-102	1
2 m	771-8965/017-201	771-8965/017-202	1

Coding	Marking	Color
A	N ⊕ L1 L2 L3	● black
A	N ⊕ L1 L2 L3	○ white

# WINSTA® MIDI

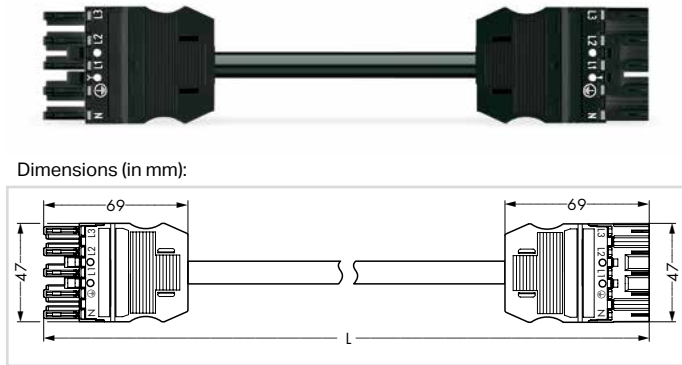
## Cable Assemblies 5 x 1.5 mm<sup>2</sup>, PVC

### 771 Series

PVC	H05VV-F 5G1.5
-----	---------------

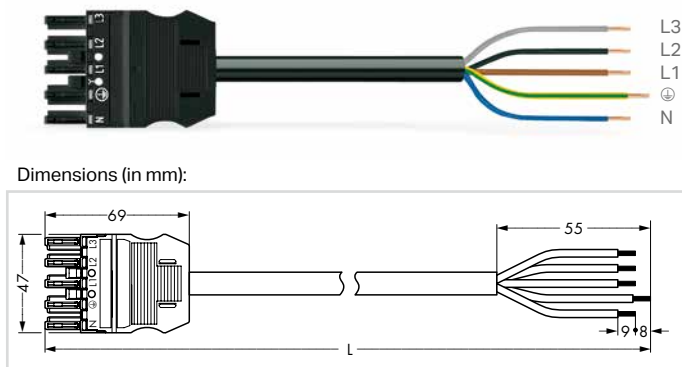
Rated voltage	400 V
Rated current	16 A
Strip length	9 mm / 0.35 inch
Conductor preparation	tip-bonded

3



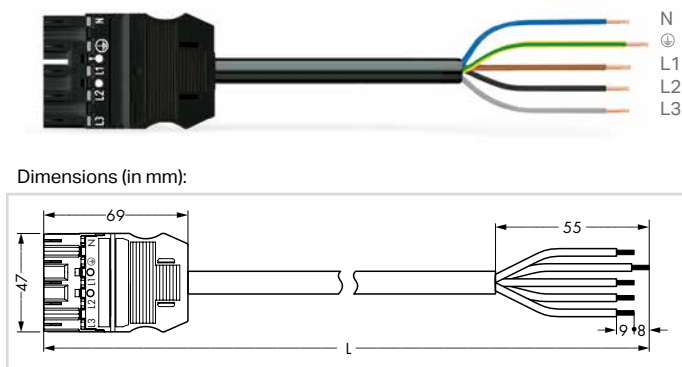
Interconnecting cable, socket – plug, PVC, A-coding

Length	● black	○ white	Pack. Unit
1 m	771-9995/006-101	771-9995/006-102	1
2 m	771-9995/006-201	771-9995/006-202	1
3 m	771-9995/006-301	771-9995/006-302	1
4 m	771-9995/006-401	771-9995/006-402	1
5 m	771-9995/006-501	771-9995/006-502	1
6 m	771-9995/006-601	771-9995/006-602	1
7 m	771-9995/006-701	771-9995/006-702	1
8 m	771-9995/006-801	771-9995/006-802	1



Connecting cable, socket – free end, PVC, A-coding

Length	● black	○ white	Pack. Unit
1 m	771-9995/106-101	771-9995/106-102	1
2 m	771-9995/106-201	771-9995/106-202	1
3 m	771-9995/106-301	771-9995/106-302	1
4 m	771-9995/106-401	771-9995/106-402	1
5 m	771-9995/106-501	771-9995/106-502	1
6 m	771-9995/106-601	771-9995/106-602	1
7 m	771-9995/106-701	771-9995/106-702	1
8 m	771-9995/106-801	771-9995/106-802	1



Connecting cable, plug – free end, PVC, A-coding

Length	● black	○ white	Pack. Unit
1 m	771-9995/206-101	771-9995/206-102	1
2 m	771-9995/206-201	771-9995/206-202	1
3 m	771-9995/206-301	771-9995/206-302	1
4 m	771-9995/206-401	771-9995/206-402	1
5 m	771-9995/206-501	771-9995/206-502	1
6 m	771-9995/206-601	771-9995/206-602	1
7 m	771-9995/206-701	771-9995/206-702	1
8 m	771-9995/206-801	771-9995/206-802	1

Additional cable lengths available upon request.

- 771 Series Accessories, see page 355
- Approvals, see [www.wago.com](http://www.wago.com)
- Codings, see page 372

Coding	Marking	Color
A	N ⊕ L1 L2 L3	● black
A	N ⊕ L1 L2 L3	○ white

# WINSTA® MIDI

## Cable Assemblies 5 x 1.5 mm<sup>2</sup>, Halogen-Free

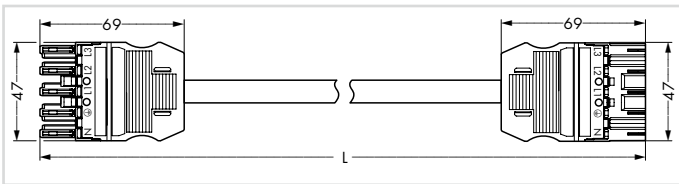
### 771 Series

halogen-free	H05Z1Z1-F 5G1.5
--------------	-----------------

Rated voltage	400 V
Rated current	16 A
Strip length	9 mm / 0.35 inch
Conductor preparation	tip-bonded



Dimensions (in mm):

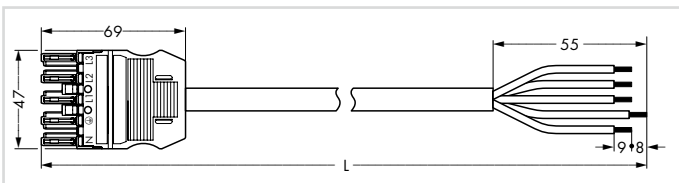


Interconnecting cable, socket – plug, halogen-free, A-coding

Length	● black	○ white	Pack. Unit
1 m	771-9995/016-101	771-9995/016-102	1
2 m	771-9995/016-201	771-9995/016-202	1
3 m	771-9995/016-301	771-9995/016-302	1
4 m	771-9995/016-401	771-9995/016-402	1
5 m	771-9995/016-501	771-9995/016-502	1
6 m	771-9995/016-601	771-9995/016-602	1
7 m	771-9995/016-701	771-9995/016-702	1
8 m	771-9995/016-801	771-9995/016-802	1



Dimensions (in mm):

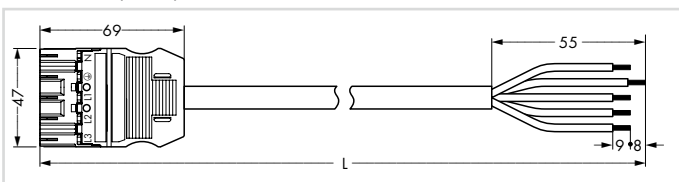


Connecting cable, socket – free end, halogen-free, A-coding

Length	● black	○ white	Pack. Unit
1 m	771-9995/116-101	771-9995/116-102	1
2 m	771-9995/116-201	771-9995/116-202	1
3 m	771-9995/116-301	771-9995/116-302	1
4 m	771-9995/116-401	771-9995/116-402	1
5 m	771-9995/116-501	771-9995/116-502	1
6 m	771-9995/116-601	771-9995/116-602	1
7 m	771-9995/116-701	771-9995/116-702	1
8 m	771-9995/116-801	771-9995/116-802	1



Dimensions (in mm):



Connecting cable, plug – free end, halogen-free, A-coding

Length	● black	○ white	Pack. Unit
1 m	771-9995/216-101	771-9995/216-102	1
2 m	771-9995/216-201	771-9995/216-202	1
3 m	771-9995/216-301	771-9995/216-302	1
4 m	771-9995/216-401	771-9995/216-402	1
5 m	771-9995/216-501	771-9995/216-502	1
6 m	771-9995/216-601	771-9995/216-602	1
7 m	771-9995/216-701	771-9995/216-702	1
8 m	771-9995/216-801	771-9995/216-802	1

Coding	Marking	Color
A	N ⊕ L1 L2 L3	● black
A	N ⊕ L1 L2 L3	○ white



# WINSTA® MIDI

## Cable Assemblies 5 x 1.5 mm<sup>2</sup>, PVC

### 771 Series

PVC	H05VV-F 5G1.5
-----	---------------

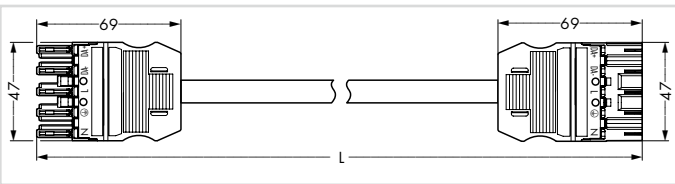
Rated voltage	400 V
Rated current	16 A
Strip length	9 mm / 0.35 inch
Conductor preparation	tip-bonded



Interconnecting cable, socket – plug, for dimming functions (e.g., DALI), PVC, I-coding

Length	● black	○ white	Pack. Unit
1 m	771-9985/006-101	771-9985/006-102	1
2 m	771-9985/006-201	771-9985/006-202	1
3 m	771-9985/006-301	771-9985/006-302	1
4 m	771-9985/006-401	771-9985/006-402	1
5 m	771-9985/006-501	771-9985/006-502	1
6 m	771-9985/006-601	771-9985/006-602	1
7 m	771-9985/006-701	771-9985/006-702	1
8 m	771-9985/006-801	771-9985/006-802	1

Dimensions (in mm):



3



Connecting cable, socket – free end, for dimming functions (e.g., DALI), PVC, I-coding

Length	● black	○ white	Pack. Unit
1 m	771-9985/106-101	771-9985/106-102	1
2 m	771-9985/106-201	771-9985/106-202	1
3 m	771-9985/106-301	771-9985/106-302	1
4 m	771-9985/106-401	771-9985/106-402	1
5 m	771-9985/106-501	771-9985/106-502	1
6 m	771-9985/106-601	771-9985/106-602	1
7 m	771-9985/106-701	771-9985/106-702	1
8 m	771-9985/106-801	771-9985/106-802	1

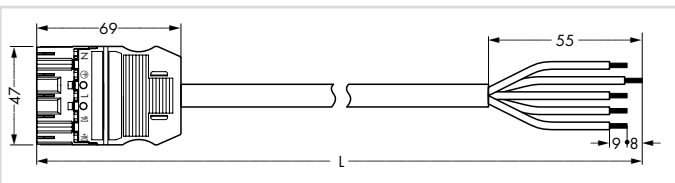
Dimensions (in mm):



Connecting cable, plug – free end, for dimming functions (e.g., DALI), PVC, I-coding

Length	● black	○ white	Pack. Unit
1 m	771-9985/206-101	771-9985/206-102	1
2 m	771-9985/206-201	771-9985/206-202	1
3 m	771-9985/206-301	771-9985/206-302	1
4 m	771-9985/206-401	771-9985/206-402	1
5 m	771-9985/206-501	771-9985/206-502	1
6 m	771-9985/206-601	771-9985/206-602	1
7 m	771-9985/206-701	771-9985/206-702	1
8 m	771-9985/206-801	771-9985/206-802	1

Dimensions (in mm):



Additional cable lengths available upon request.

- 771 Series Accessories, see page 355
- Approvals, see www.wago.com
- Codings, see page 372

Coding	Marking	Color
I	N ⊕ L DA- DA+	● blue



# WINSTA® MIDI

## Cable Assemblies 5 x 1.5 mm<sup>2</sup>, Halogen-Free

### 771 Series

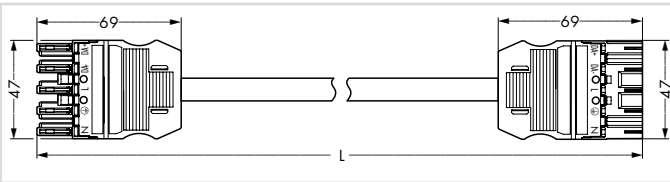
halogen-free

H05Z1Z1-F 5G1.5

Rated voltage	400 V
Rated current	16 A
Strip length	9 mm / 0.35 inch
Conductor preparation	tip-bonded



Dimensions (in mm):

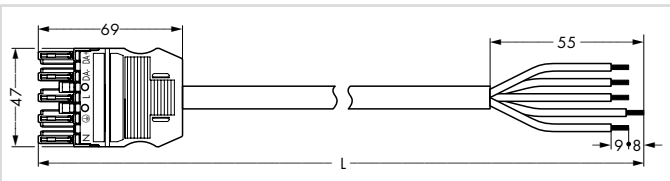


Interconnecting cable, socket – plug, for dimming functions (e.g., DALI), halogen-free, I-coding

Length	● black	○ white	Pack. Unit
1 m	771-9985/016-101	771-9985/016-102	1
2 m	771-9985/016-201	771-9985/016-202	1
3 m	771-9985/016-301	771-9985/016-302	1
4 m	771-9985/016-401	771-9985/016-402	1
5 m	771-9985/016-501	771-9985/016-502	1
6 m	771-9985/016-601	771-9985/016-602	1
7 m	771-9985/016-701	771-9985/016-702	1
8 m	771-9985/016-801	771-9985/016-802	1



Dimensions (in mm):

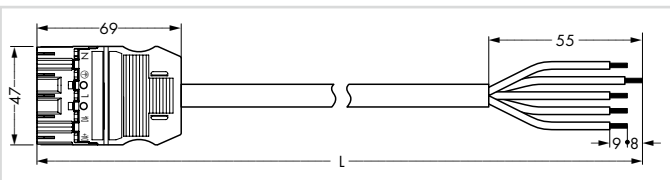


Connecting cable, socket – free end, for dimming functions (e.g., DALI), halogen-free, I-coding

Length	● black	○ white	Pack. Unit
1 m	771-9985/116-101	771-9985/116-102	1
2 m	771-9985/116-201	771-9985/116-202	1
3 m	771-9985/116-301	771-9985/116-302	1
4 m	771-9985/116-401	771-9985/116-402	1
5 m	771-9985/116-501	771-9985/116-502	1
6 m	771-9985/116-601	771-9985/116-602	1
7 m	771-9985/116-701	771-9985/116-702	1
8 m	771-9985/116-801	771-9985/116-802	1



Dimensions (in mm):



Connecting cable, plug – free end, for dimming functions (e.g., DALI), halogen-free, I-coding

Length	● black	○ white	Pack. Unit
1 m	771-9985/216-101	771-9985/216-102	1
2 m	771-9985/216-201	771-9985/216-202	1
3 m	771-9985/216-301	771-9985/216-302	1
4 m	771-9985/216-401	771-9985/216-402	1
5 m	771-9985/216-501	771-9985/216-502	1
6 m	771-9985/216-601	771-9985/216-602	1
7 m	771-9985/216-701	771-9985/216-702	1
8 m	771-9985/216-801	771-9985/216-802	1

Coding	Marking	Color
I	N ⊕ L DA- DA+	● blue

# WINSTA® MIDI

## Cable Assemblies 5 x 1.5 mm<sup>2</sup>, PVC

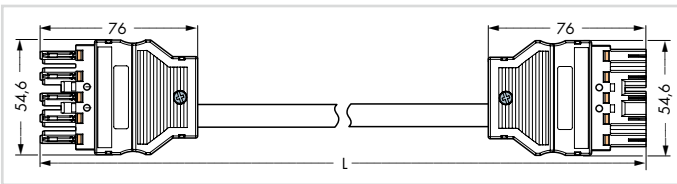
### 771 Series

PVC	H05VV-F 5G1.5
-----	---------------

Rated voltage	400 V
Rated current	16 A
Strip length	9 mm / 0.35 inch
Conductor preparation	tip-bonded



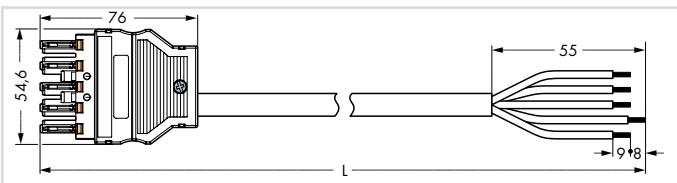
Dimensions (in mm):



Interconnecting cable, socket – plug, PVC, L-coding			
Length	● black	○ white	Pack. Unit
1 m	771-8985/006-103	771-8985/006-104	1
2 m	771-8985/006-203	771-8985/006-204	1
3 m	771-8985/006-303	771-8985/006-304	1
4 m	771-8985/006-403	771-8985/006-404	1
5 m	771-8985/006-503	771-8985/006-504	1
6 m	771-8985/006-603	771-8985/006-604	1
7 m	771-8985/006-703	771-8985/006-704	1
8 m	771-8985/006-803	771-8985/006-804	1



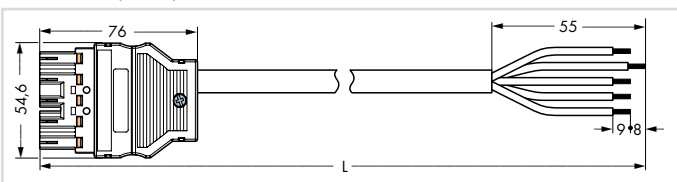
Dimensions (in mm):



Connecting cable, socket – free end, PVC, L-coding			
Length	● black	○ white	Pack. Unit
1 m	771-8985/106-103	771-8985/106-104	1
2 m	771-8985/106-203	771-8985/106-204	1
3 m	771-8985/106-303	771-8985/106-304	1
4 m	771-8985/106-403	771-8985/106-404	1
5 m	771-8985/106-503	771-8985/106-504	1
6 m	771-8985/106-603	771-8985/106-604	1
7 m	771-8985/106-703	771-8985/106-704	1
8 m	771-8985/106-803	771-8985/106-804	1



Dimensions (in mm):



Connecting cable, plug – free end, PVC, L-coding			
Length	● black	○ white	Pack. Unit
1 m	771-8985/206-103	771-8985/206-104	1
2 m	771-8985/206-203	771-8985/206-204	1
3 m	771-8985/206-303	771-8985/206-304	1
4 m	771-8985/206-403	771-8985/206-404	1
5 m	771-8985/206-503	771-8985/206-504	1
6 m	771-8985/206-603	771-8985/206-604	1
7 m	771-8985/206-703	771-8985/206-704	1
8 m	771-8985/206-803	771-8985/206-804	1

Additional cable lengths available upon request.

- 771 Series Accessories, see page 355
- Approvals, see www.wago.com
- Codings, see page 372

Coding	Marking	Color
L	N ⊕ L N' L'	● dark gray

# WINSTA® MIDI

## Cable Assemblies 5 x 1.5 mm<sup>2</sup>, Halogen-Free

### 771 Series

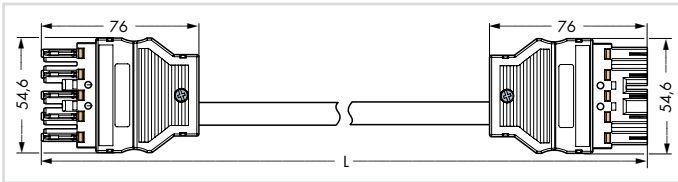
halogen-free

H05Z1Z1-F 5G1.5

Rated voltage	400 V
Rated current	16 A
Strip length	9 mm / 0.35 inch
Conductor preparation	tip-bonded



Dimensions (in mm):



Interconnecting cable, socket – plug, halogen-free, L-coding

Length	● black	○ white	Pack. Unit
1 m	771-8985/016-103	771-8985/016-104	1
2 m	771-8985/016-203	771-8985/016-204	1
3 m	771-8985/016-303	771-8985/016-304	1
4 m	771-8985/016-403	771-8985/016-404	1
5 m	771-8985/016-503	771-8985/016-504	1
6 m	771-8985/016-603	771-8985/016-604	1
7 m	771-8985/016-703	771-8985/016-704	1
8 m	771-8985/016-803	771-8985/016-804	1



Dimensions (in mm):

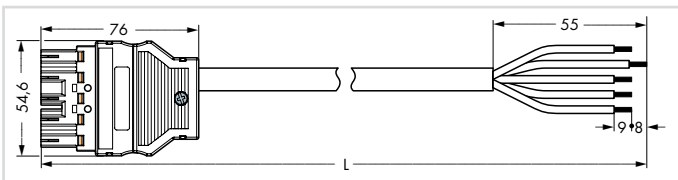


Connecting cable, socket – free end, halogen-free, L-coding

Length	● black	○ white	Pack. Unit
1 m	771-8985/116-103	771-8985/116-104	1
2 m	771-8985/116-203	771-8985/116-204	1
3 m	771-8985/116-303	771-8985/116-304	1
4 m	771-8985/116-403	771-8985/116-404	1
5 m	771-8985/116-503	771-8985/116-504	1
6 m	771-8985/116-603	771-8985/116-604	1
7 m	771-8985/116-703	771-8985/116-704	1
8 m	771-8985/116-803	771-8985/116-804	1



Dimensions (in mm):



Connecting cable, plug – free end, halogen-free, L-coding

Length	● black	○ white	Pack. Unit
1 m	771-8985/216-103	771-8985/216-104	1
2 m	771-8985/216-203	771-8985/216-204	1
3 m	771-8985/216-303	771-8985/216-304	1
4 m	771-8985/216-403	771-8985/216-404	1
5 m	771-8985/216-503	771-8985/216-504	1
6 m	771-8985/216-603	771-8985/216-604	1
7 m	771-8985/216-703	771-8985/216-704	1
8 m	771-8985/216-803	771-8985/216-804	1

Coding

L

Marking

N ⊕ L N' L'

Color

● dark gray

# WINSTA® MIDI

## Cable Assemblies 5 x 1.5 mm<sup>2</sup>, PVC

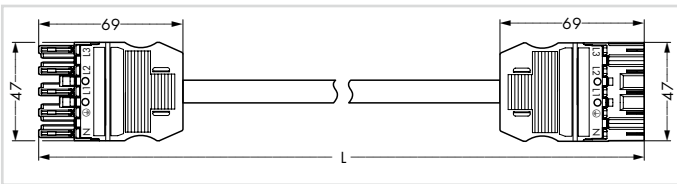
### 771 Series

PVC	H05VV-F 5G1.5
-----	---------------

Rated voltage	400 V
Rated current	16 A
Strip length	9 mm / 0.35 inch
Conductor preparation	tip-bonded



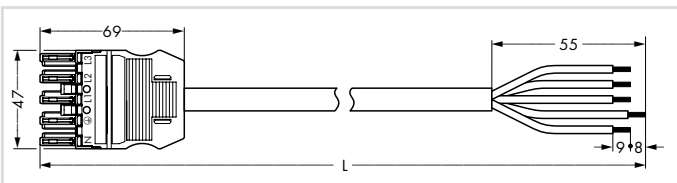
Dimensions (in mm):



Interconnecting cable, socket – plug, PVC, P-coding			
Length	● black	○ white	Pack. Unit
1 m	771-9975/006-101	771-9975/006-102	1
2 m	771-9975/006-201	771-9975/006-202	1
3 m	771-9975/006-301	771-9975/006-302	1
4 m	771-9975/006-401	771-9975/006-402	1
5 m	771-9975/006-501	771-9975/006-502	1
6 m	771-9975/006-601	771-9975/006-602	1
7 m	771-9975/006-701	771-9975/006-702	1
8 m	771-9975/006-801	771-9975/006-802	1



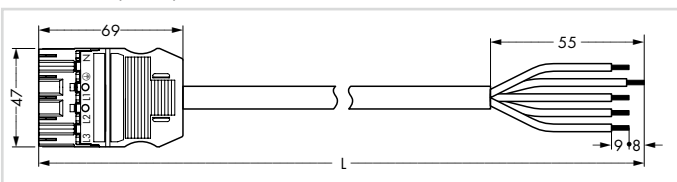
Dimensions (in mm):



Connecting cable, socket – free end, PVC, P-coding			
Length	● black	○ white	Pack. Unit
1 m	771-9975/106-101	771-9975/106-102	1
2 m	771-9975/106-201	771-9975/106-202	1
3 m	771-9975/106-301	771-9975/106-302	1
4 m	771-9975/106-401	771-9975/106-402	1
5 m	771-9975/106-501	771-9975/106-502	1
6 m	771-9975/106-601	771-9975/106-602	1
7 m	771-9975/106-701	771-9975/106-702	1
8 m	771-9975/106-801	771-9975/106-802	1



Dimensions (in mm):



Connecting cable, plug – free end, PVC, P-coding			
Length	● black	○ white	Pack. Unit
1 m	771-9975/206-101	771-9975/206-102	1
2 m	771-9975/206-201	771-9975/206-202	1
3 m	771-9975/206-301	771-9975/206-302	1
4 m	771-9975/206-401	771-9975/206-402	1
5 m	771-9975/206-501	771-9975/206-502	1
6 m	771-9975/206-601	771-9975/206-602	1
7 m	771-9975/206-701	771-9975/206-702	1
8 m	771-9975/206-801	771-9975/206-802	1

Additional cable lengths available upon request.

- 771 Series Accessories, see page 355
- Approvals, see www.wago.com
- Codings, see page 372

Coding	Marking	Color
P	N ⊕ L1 L2 L3	● red

# WINSTA® MIDI

## Cable Assemblies 5 x 1.5 mm<sup>2</sup>, Halogen-Free

### 771 Series

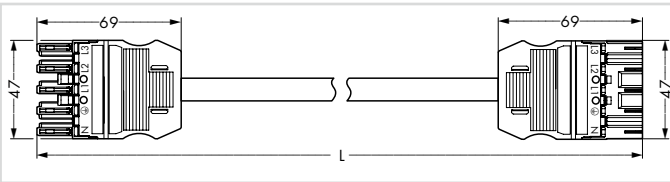
halogen-free

H05Z1Z1-F 5G1.5

Rated voltage	400 V
Rated current	16 A
Strip length	9 mm / 0.35 inch
Conductor preparation	tip-bonded



Dimensions (in mm):

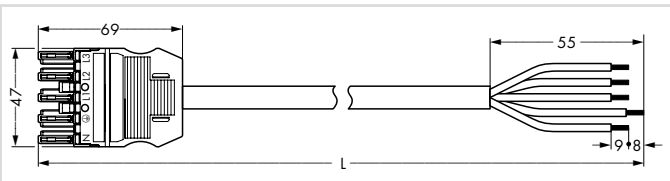


Interconnecting cable, socket – plug, halogen-free, P-coding

Length	Color		Pack. Unit
	● black	○ white	
1 m	771-9975/016-101	771-9975/016-102	1
2 m	771-9975/016-201	771-9975/016-202	1
3 m	771-9975/016-301	771-9975/016-302	1
4 m	771-9975/016-401	771-9975/016-402	1
5 m	771-9975/016-501	771-9975/016-502	1
6 m	771-9975/016-601	771-9975/016-602	1
7 m	771-9975/016-701	771-9975/016-702	1
8 m	771-9975/016-801	771-9975/016-802	1



Dimensions (in mm):

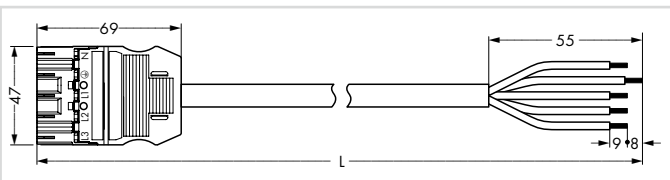


Connecting cable, socket – free end, halogen-free, P-coding

Length	Color		Pack. Unit
	● black	○ white	
1 m	771-9975/116-101	771-9975/116-102	1
2 m	771-9975/116-201	771-9975/116-202	1
3 m	771-9975/116-301	771-9975/116-302	1
4 m	771-9975/116-401	771-9975/116-402	1
5 m	771-9975/116-501	771-9975/116-502	1
6 m	771-9975/116-601	771-9975/116-602	1
7 m	771-9975/116-701	771-9975/116-702	1
8 m	771-9975/116-801	771-9975/116-802	1



Dimensions (in mm):



Connecting cable, plug – free end, halogen-free, P-coding

Length	Color		Pack. Unit
	● black	○ white	
1 m	771-9975/216-101	771-9975/216-102	1
2 m	771-9975/216-201	771-9975/216-202	1
3 m	771-9975/216-301	771-9975/216-302	1
4 m	771-9975/216-401	771-9975/216-402	1
5 m	771-9975/216-501	771-9975/216-502	1
6 m	771-9975/216-601	771-9975/216-602	1
7 m	771-9975/216-701	771-9975/216-702	1
8 m	771-9975/216-801	771-9975/216-802	1

Coding  
P

Marking  
N ⊕ L1 L2 L3

Color  
● red

# WINSTA® MIDI

## Cable Assemblies 5 x 2.5 mm<sup>2</sup>, PVC

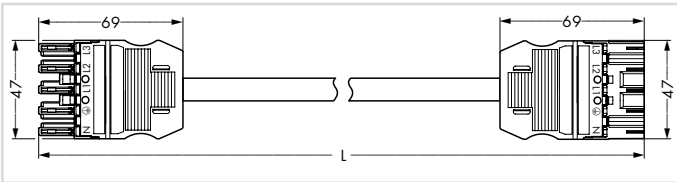
### 771 Series

PVC	H05VV-F 5G2.5
-----	---------------

Rated voltage	400 V
Rated current	20 A
Strip length	9 mm / 0.35 inch
Conductor preparation	tip-bonded



Dimensions (in mm):

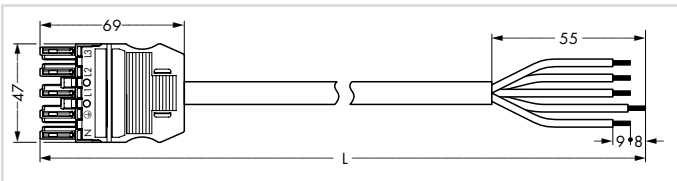


Interconnecting cable, socket – plug, PVC, A-coding

Length	● black	○ white	Pack. Unit
1 m	771-9995/007-101	771-9995/007-102	1
2 m	771-9995/007-201	771-9995/007-202	1
3 m	771-9995/007-301	771-9995/007-302	1
4 m	771-9995/007-401	771-9995/007-402	1
5 m	771-9995/007-501	771-9995/007-502	1
6 m	771-9995/007-601	771-9995/007-602	1
7 m	771-9995/007-701	771-9995/007-702	1
8 m	771-9995/007-801	771-9995/007-802	1



Dimensions (in mm):

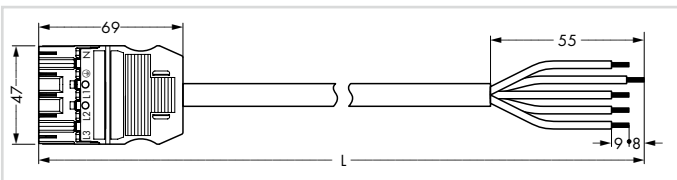


Connecting cable, socket – free end, PVC, A-coding

Length	● black	○ white	Pack. Unit
1 m	771-9995/107-101	771-9995/107-102	1
2 m	771-9995/107-201	771-9995/107-202	1
3 m	771-9995/107-301	771-9995/107-302	1
4 m	771-9995/107-401	771-9995/107-402	1
5 m	771-9995/107-501	771-9995/107-502	1
6 m	771-9995/107-601	771-9995/107-602	1
7 m	771-9995/107-701	771-9995/107-702	1
8 m	771-9995/107-801	771-9995/107-802	1



Dimensions (in mm):



Connecting cable, plug – free end, PVC, A-coding

Length	● black	○ white	Pack. Unit
1 m	771-9995/207-101	771-9995/207-102	1
2 m	771-9995/207-201	771-9995/207-202	1
3 m	771-9995/207-301	771-9995/207-302	1
4 m	771-9995/207-401	771-9995/207-402	1
5 m	771-9995/207-501	771-9995/207-502	1
6 m	771-9995/207-601	771-9995/207-602	1
7 m	771-9995/207-701	771-9995/207-702	1
8 m	771-9995/207-801	771-9995/207-802	1

Additional cable lengths available upon request.

- 771 Series Accessories, see page 355
- Approvals, see www.wago.com
- Codings, see page 372

Coding	Marking	Color
A	N ⊕ L1 L2 L3	● black
A	N ⊕ L1 L2 L3	○ white

# WINSTA® MIDI

## Cable Assemblies 5 x 2.5 mm<sup>2</sup>, Halogen-Free

### 771 Series

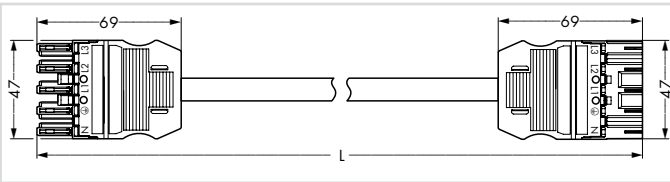
halogen-free

H05Z1Z1-F 5G2.5

Rated voltage	400 V
Rated current	20 A
Strip length	9 mm / 0.35 inch
Conductor preparation	tip-bonded



Dimensions (in mm):

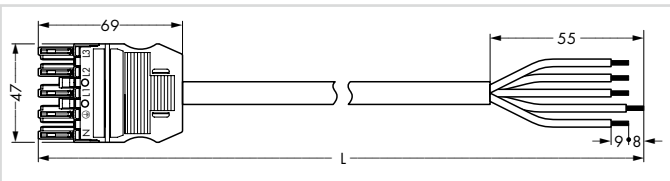


Interconnecting cable, socket – plug, halogen-free, A-coding

Length	Color		Pack. Unit
	● black	○ white	
1 m	771-9995/017-101	771-9995/017-102	1
2 m	771-9995/017-201	771-9995/017-202	1
3 m	771-9995/017-301	771-9995/017-302	1
4 m	771-9995/017-401	771-9995/017-402	1
5 m	771-9995/017-501	771-9995/017-502	1
6 m	771-9995/017-601	771-9995/017-602	1
7 m	771-9995/017-701	771-9995/017-702	1
8 m	771-9995/017-801	771-9995/017-802	1



Dimensions (in mm):

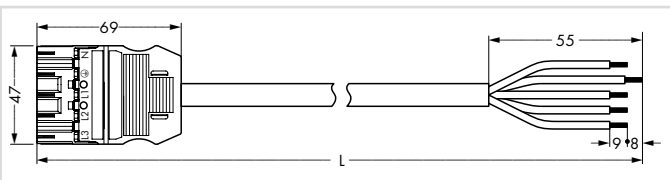


Connecting cable, socket – free end, halogen-free, A-coding

Length	Color		Pack. Unit
	● black	○ white	
1 m	771-9995/117-101	771-9995/117-102	1
2 m	771-9995/117-201	771-9995/117-202	1
3 m	771-9995/117-301	771-9995/117-302	1
4 m	771-9995/117-401	771-9995/117-402	1
5 m	771-9995/117-501	771-9995/117-502	1
6 m	771-9995/117-601	771-9995/117-602	1
7 m	771-9995/117-701	771-9995/117-702	1
8 m	771-9995/117-801	771-9995/117-802	1



Dimensions (in mm):



Connecting cable, plug – free end, halogen-free, A-coding

Length	Color		Pack. Unit
	● black	○ white	
1 m	771-9995/217-101	771-9995/217-102	1
2 m	771-9995/217-201	771-9995/217-202	1
3 m	771-9995/217-301	771-9995/217-302	1
4 m	771-9995/217-401	771-9995/217-402	1
5 m	771-9995/217-501	771-9995/217-502	1
6 m	771-9995/217-601	771-9995/217-602	1
7 m	771-9995/217-701	771-9995/217-702	1
8 m	771-9995/217-801	771-9995/217-802	1

Coding	Marking	Color
A	N ⊕ L1 L2 L3	● black
A	N ⊕ L1 L2 L3	○ white



# WINSTA® MIDI

## Cable Assemblies 5 x 2.5 mm<sup>2</sup>, PVC

### 771 Series

PVC	H05VV-F 5G2.5
-----	---------------

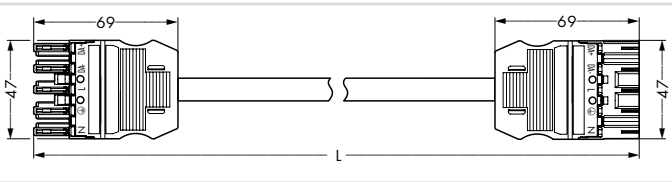
Rated voltage	400 V
Rated current	20 A
Strip length	9 mm / 0.35 inch
Conductor preparation	tip-bonded



Interconnecting cable, socket – plug, for dimming functions (e.g., DALI), PVC, I-coding

Length	● black	○ white	Pack. Unit
1 m	771-9985/007-101	771-9985/007-102	1
2 m	771-9985/007-201	771-9985/007-202	1
3 m	771-9985/007-301	771-9985/007-302	1
4 m	771-9985/007-401	771-9985/007-402	1
5 m	771-9985/007-501	771-9985/007-502	1
6 m	771-9985/007-601	771-9985/007-602	1
7 m	771-9985/007-701	771-9985/007-702	1
8 m	771-9985/007-801	771-9985/007-802	1

Dimensions (in mm):



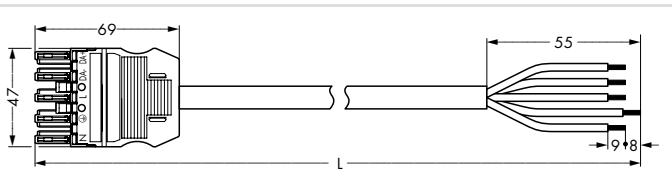
3



Connecting cable, socket – free end, for dimming functions (e.g., DALI), PVC, I-coding

Length	● black	○ white	Pack. Unit
1 m	771-9985/107-101	771-9985/107-102	1
2 m	771-9985/107-201	771-9985/107-202	1
3 m	771-9985/107-301	771-9985/107-302	1
4 m	771-9985/107-401	771-9985/107-402	1
5 m	771-9985/107-501	771-9985/107-502	1
6 m	771-9985/107-601	771-9985/107-602	1
7 m	771-9985/107-701	771-9985/107-702	1
8 m	771-9985/107-801	771-9985/107-802	1

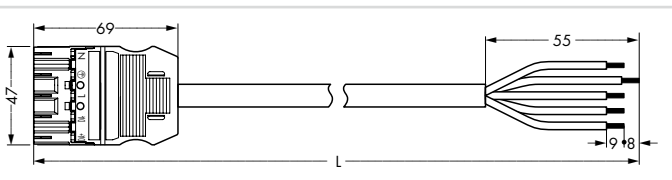
Dimensions (in mm):



Connecting cable, plug – free end, for dimming functions (e.g., DALI), PVC, I-coding

Length	● black	○ white	Pack. Unit
1 m	771-9985/207-101	771-9985/207-102	1
2 m	771-9985/207-201	771-9985/207-202	1
3 m	771-9985/207-301	771-9985/207-302	1
4 m	771-9985/207-401	771-9985/207-402	1
5 m	771-9985/207-501	771-9985/207-502	1
6 m	771-9985/207-601	771-9985/207-602	1
7 m	771-9985/207-701	771-9985/207-702	1
8 m	771-9985/207-801	771-9985/207-802	1

Dimensions (in mm):



Additional cable lengths available upon request.

- 771 Series Accessories, see page 355
- Approvals, see www.wago.com
- Codings, see page 372

Coding	Marking	Color
I	N ⊕ L DA- DA+	● blue



# WINSTA® MIDI

## Cable Assemblies 5 x 2.5 mm<sup>2</sup>, Halogen-Free

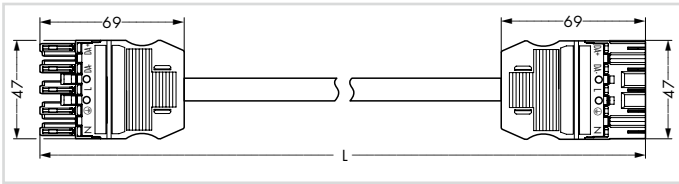
### 771 Series

halogen-free	H05Z1Z1-F 5G2.5
--------------	-----------------

Rated voltage	400 V
Rated current	20 A
Strip length	9 mm / 0.35 inch
Conductor preparation	tip-bonded



Dimensions (in mm):

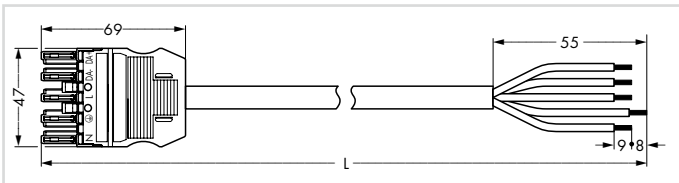


Interconnecting cable, socket – plug, for dimming functions (e.g., DALI), halogen-free, I-coding

Length	● black	○ white	Pack. Unit
1 m	771-9985/017-101	771-9985/017-102	1
2 m	771-9985/017-201	771-9985/017-202	1
3 m	771-9985/017-301	771-9985/017-302	1
4 m	771-9985/017-401	771-9985/017-402	1
5 m	771-9985/017-501	771-9985/017-502	1
6 m	771-9985/017-601	771-9985/017-602	1
7 m	771-9985/017-701	771-9985/017-702	1
8 m	771-9985/017-801	771-9985/017-802	1



Dimensions (in mm):

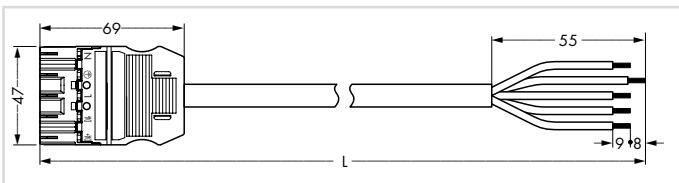


Connecting cable, socket – free end, for dimming functions (e.g., DALI), halogen-free, I-coding

Length	● black	○ white	Pack. Unit
1 m	771-9985/117-101	771-9985/117-102	1
2 m	771-9985/117-201	771-9985/117-202	1
3 m	771-9985/117-301	771-9985/117-302	1
4 m	771-9985/117-401	771-9985/117-402	1
5 m	771-9985/117-501	771-9985/117-502	1
6 m	771-9985/117-601	771-9985/117-602	1
7 m	771-9985/117-701	771-9985/117-702	1
8 m	771-9985/117-801	771-9985/117-802	1



Dimensions (in mm):



Connecting cable, plug – free end, for dimming functions (e.g., DALI), halogen-free, I-coding

Length	● black	○ white	Pack. Unit
1 m	771-9985/217-101	771-9985/217-102	1
2 m	771-9985/217-201	771-9985/217-202	1
3 m	771-9985/217-301	771-9985/217-302	1
4 m	771-9985/217-401	771-9985/217-402	1
5 m	771-9985/217-501	771-9985/217-502	1
6 m	771-9985/217-601	771-9985/217-602	1
7 m	771-9985/217-701	771-9985/217-702	1
8 m	771-9985/217-801	771-9985/217-802	1

Coding	Marking	Color
I	N ⊕ L DA- DA+	● blue

3

# WINSTA® MIDI

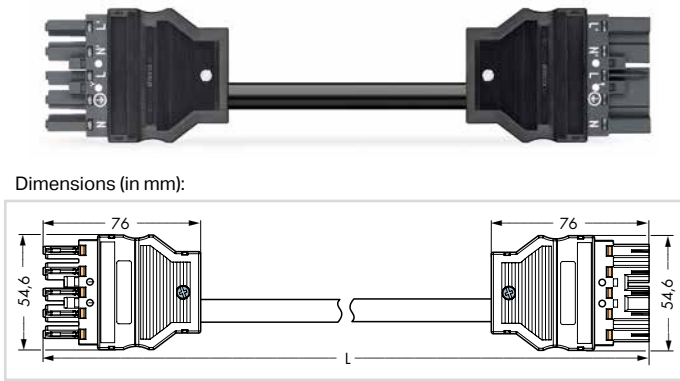
## Cable Assemblies 5 x 2.5 mm<sup>2</sup>, PVC

### 771 Series

PVC	H05VV-F 5G2.5
-----	---------------

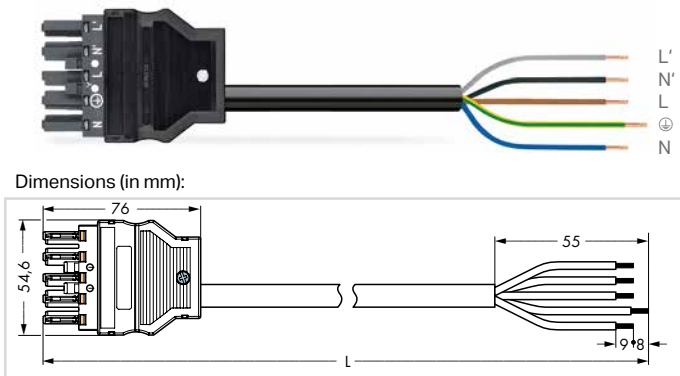
Rated voltage	400 V
Rated current	20 A
Strip length	9 mm / 0.35 inch
Conductor preparation	tip-bonded

3



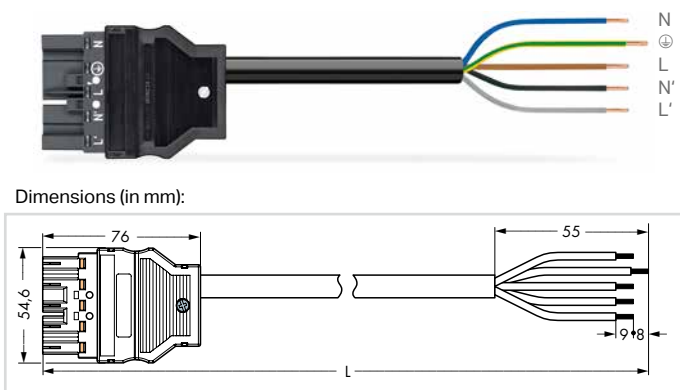
Interconnecting cable, socket – plug, PVC, L-coding

Length	● black	○ white	Pack. Unit
1 m	771-8985/007-103	771-8985/007-104	1
2 m	771-8985/007-203	771-8985/007-204	1
3 m	771-8985/007-303	771-8985/007-304	1
4 m	771-8985/007-403	771-8985/007-404	1
5 m	771-8985/007-503	771-8985/007-504	1
6 m	771-8985/007-603	771-8985/007-604	1
7 m	771-8985/007-703	771-8985/007-704	1
8 m	771-8985/007-803	771-8985/007-804	1



Connecting cable, socket – free end, PVC, L-coding

Length	● black	○ white	Pack. Unit
1 m	771-8985/107-103	771-8985/107-104	1
2 m	771-8985/107-203	771-8985/107-204	1
3 m	771-8985/107-303	771-8985/107-304	1
4 m	771-8985/107-403	771-8985/107-404	1
5 m	771-8985/107-503	771-8985/107-504	1
6 m	771-8985/107-603	771-8985/107-604	1
7 m	771-8985/107-703	771-8985/107-704	1
8 m	771-8985/107-803	771-8985/107-804	1



Connecting cable, plug – free end, PVC, L-coding

Length	● black	○ white	Pack. Unit
1 m	771-8985/207-103	771-8985/207-104	1
2 m	771-8985/207-203	771-8985/207-204	1
3 m	771-8985/207-303	771-8985/207-304	1
4 m	771-8985/207-403	771-8985/207-404	1
5 m	771-8985/207-503	771-8985/207-504	1
6 m	771-8985/207-603	771-8985/207-604	1
7 m	771-8985/207-703	771-8985/207-704	1
8 m	771-8985/207-803	771-8985/207-804	1

Additional cable lengths available upon request.

- 771 Series Accessories, see page 355
- Approvals, see www.wago.com
- Codings, see page 372

Coding	Marking	Color
L	N ⊕ L N' L'	● dark gray

# WINSTA® MIDI

## Cable Assemblies 5 x 2.5 mm<sup>2</sup>, Halogen-Free

### 771 Series

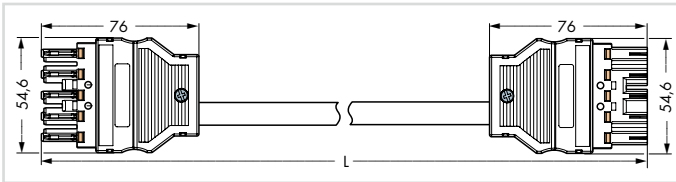
halogen-free

H05Z1Z1-F 5G2.5

Rated voltage	400 V
Rated current	20 A
Strip length	9 mm / 0.35 inch
Conductor preparation	tip-bonded



Dimensions (in mm):



Interconnecting cable, socket – plug, halogen-free, L-coding

Length	● black	○ white	Pack. Unit
1 m	771-8985/017-103	771-8985/017-104	1
2 m	771-8985/017-203	771-8985/017-204	1
3 m	771-8985/017-303	771-8985/017-304	1
4 m	771-8985/017-403	771-8985/017-404	1
5 m	771-8985/017-503	771-8985/017-504	1
6 m	771-8985/017-603	771-8985/017-604	1
7 m	771-8985/017-703	771-8985/017-704	1
8 m	771-8985/017-803	771-8985/017-804	1



Dimensions (in mm):

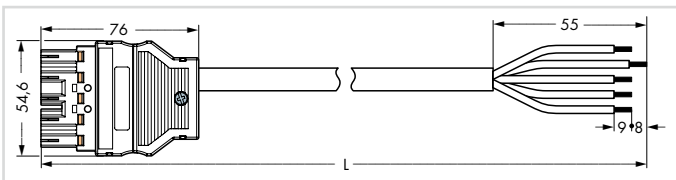


Connecting cable, socket – free end, halogen-free, L-coding

Length	● black	○ white	Pack. Unit
1 m	771-8985/117-103	771-8985/117-104	1
2 m	771-8985/117-203	771-8985/117-204	1
3 m	771-8985/117-303	771-8985/117-304	1
4 m	771-8985/117-403	771-8985/117-404	1
5 m	771-8985/117-503	771-8985/117-504	1
6 m	771-8985/117-603	771-8985/117-604	1
7 m	771-8985/117-703	771-8985/117-704	1
8 m	771-8985/117-803	771-8985/117-804	1



Dimensions (in mm):



Connecting cable, plug – free end, halogen-free, L-coding

Length	● black	○ white	Pack. Unit
1 m	771-8985/217-103	771-8985/217-104	1
2 m	771-8985/217-203	771-8985/217-204	1
3 m	771-8985/217-303	771-8985/217-304	1
4 m	771-8985/217-403	771-8985/217-404	1
5 m	771-8985/217-503	771-8985/217-504	1
6 m	771-8985/217-603	771-8985/217-604	1
7 m	771-8985/217-703	771-8985/217-704	1
8 m	771-8985/217-803	771-8985/217-804	1

Coding	Marking	Color
L	N ⊕ L N' L'	● dark gray

# WINSTA® MIDI

## Cable Assemblies 5 x 2.5 mm<sup>2</sup>, PVC

### 771 Series

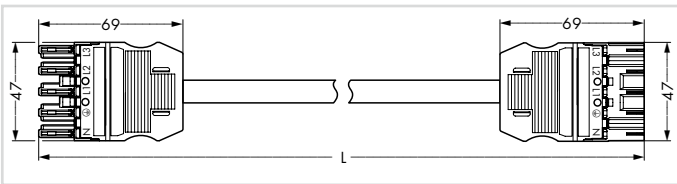
PVC	H05VV-F 5G2.5
-----	---------------

Rated voltage	400 V
Rated current	20 A
Strip length	9 mm / 0.35 inch
Conductor preparation	tip-bonded

3



Dimensions (in mm):

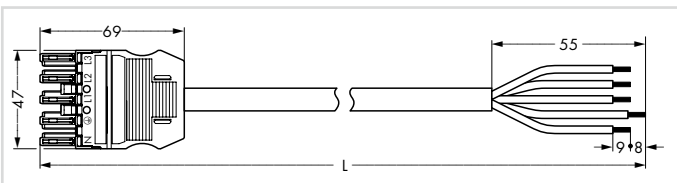


Interconnecting cable, socket – plug, PVC, P-coding

Length	● black	○ white	Pack. Unit
1 m	771-9975/007-101	771-9975/007-102	1
2 m	771-9975/007-201	771-9975/007-202	1
3 m	771-9975/007-301	771-9975/007-302	1
4 m	771-9975/007-401	771-9975/007-402	1
5 m	771-9975/007-501	771-9975/007-502	1
6 m	771-9975/007-601	771-9975/007-602	1
7 m	771-9975/007-701	771-9975/007-702	1
8 m	771-9975/007-801	771-9975/007-802	1



Dimensions (in mm):

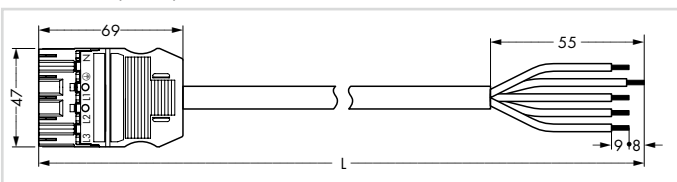


Connecting cable, socket – free end, PVC, P-coding

Length	● black	○ white	Pack. Unit
1 m	771-9975/107-101	771-9975/107-102	1
2 m	771-9975/107-201	771-9975/107-202	1
3 m	771-9975/107-301	771-9975/107-302	1
4 m	771-9975/107-401	771-9975/107-402	1
5 m	771-9975/107-501	771-9975/107-502	1
6 m	771-9975/107-601	771-9975/107-602	1
7 m	771-9975/107-701	771-9975/107-702	1
8 m	771-9975/107-801	771-9975/107-802	1



Dimensions (in mm):



Connecting cable, plug – free end, PVC, P-coding

Length	● black	○ white	Pack. Unit
1 m	771-9975/207-101	771-9975/207-102	1
2 m	771-9975/207-201	771-9975/207-202	1
3 m	771-9975/207-301	771-9975/207-302	1
4 m	771-9975/207-401	771-9975/207-402	1
5 m	771-9975/207-501	771-9975/207-502	1
6 m	771-9975/207-601	771-9975/207-602	1
7 m	771-9975/207-701	771-9975/207-702	1
8 m	771-9975/207-801	771-9975/207-802	1

Additional cable lengths available upon request.

771 Series Accessories, see page 355

Approvals, see www.wago.com

Codings, see page 372

Coding	Marking	Color
P	N ⊕ L1 L2 L3	● red

# WINSTA® MIDI

## Cable Assemblies 5 x 2.5 mm<sup>2</sup>, Halogen-Free

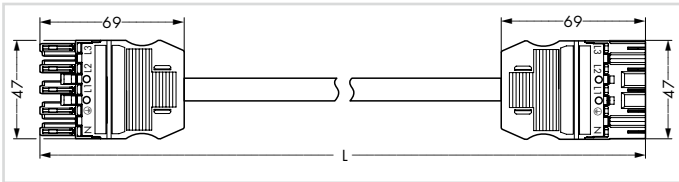
### 771 Series

halogen-free	H05Z1Z1-F 5G2.5
--------------	-----------------

Rated voltage	400 V
Rated current	20 A
Strip length	9 mm / 0.35 inch
Conductor preparation	tip-bonded



Dimensions (in mm):

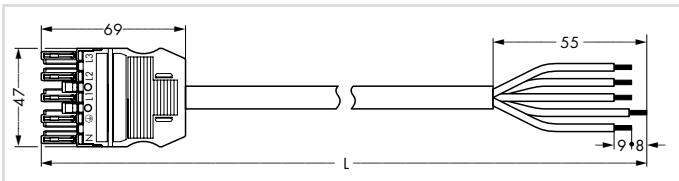


Interconnecting cable, socket – plug, halogen-free, P-coding

Length	● black	○ white	Pack. Unit
1 m	771-9975/017-101	771-9975/017-102	1
2 m	771-9975/017-201	771-9975/017-202	1
3 m	771-9975/017-301	771-9975/017-302	1
4 m	771-9975/017-401	771-9975/017-402	1
5 m	771-9975/017-501	771-9975/017-502	1
6 m	771-9975/017-601	771-9975/017-602	1
7 m	771-9975/017-701	771-9975/017-702	1
8 m	771-9975/017-801	771-9975/017-802	1



Dimensions (in mm):

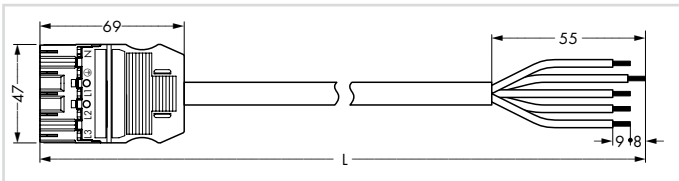


Connecting cable, socket – free end, halogen-free, P-coding

Length	● black	○ white	Pack. Unit
1 m	771-9975/117-101	771-9975/117-102	1
2 m	771-9975/117-201	771-9975/117-202	1
3 m	771-9975/117-301	771-9975/117-302	1
4 m	771-9975/117-401	771-9975/117-402	1
5 m	771-9975/117-501	771-9975/117-502	1
6 m	771-9975/117-601	771-9975/117-602	1
7 m	771-9975/117-701	771-9975/117-702	1
8 m	771-9975/117-801	771-9975/117-802	1



Dimensions (in mm):



Connecting cable, plug – free end, halogen-free, P-coding

Length	● black	○ white	Pack. Unit
1 m	771-9975/217-101	771-9975/217-102	1
2 m	771-9975/217-201	771-9975/217-202	1
3 m	771-9975/217-301	771-9975/217-302	1
4 m	771-9975/217-401	771-9975/217-402	1
5 m	771-9975/217-501	771-9975/217-502	1
6 m	771-9975/217-601	771-9975/217-602	1
7 m	771-9975/217-701	771-9975/217-702	1
8 m	771-9975/217-801	771-9975/217-802	1

Coding	Marking	Color
P	N ⊕ L1 L2 L3	● red

# WINSTA® MIDI

## Cable Assemblies 5 x 4 mm<sup>2</sup>, PVC

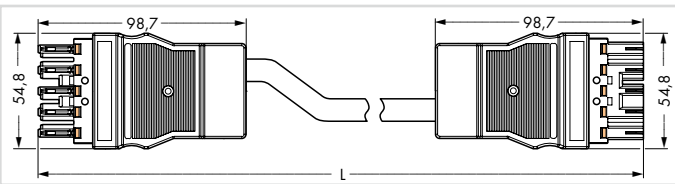
### 771 Series

PVC	H05VV-F 5G4
-----	-------------

Rated voltage	400 V
Rated current	25 A
Strip length	9 mm / 0.35 inch
Conductor preparation	tip-bonded



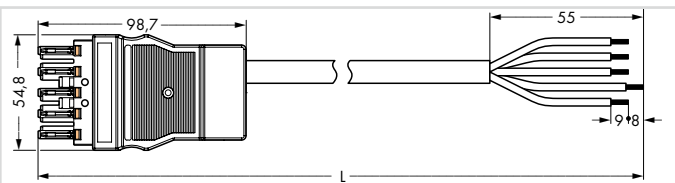
Dimensions (in mm):



Interconnecting cable, socket – plug, PVC, A-coding		
Length	● black	Pack. Unit
1 m	771-8995/008-101	1
2 m	771-8995/008-201	1
3 m	771-8995/008-301	1
4 m	771-8995/008-401	1
5 m	771-8995/008-501	1
6 m	771-8995/008-601	1
7 m	771-8995/008-701	1
8 m	771-8995/008-801	1



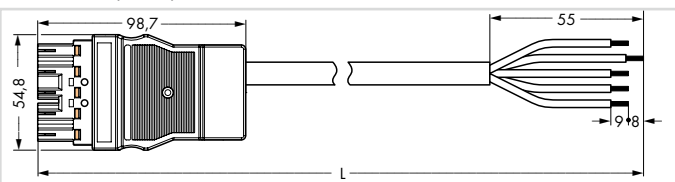
Dimensions (in mm):



Connecting cable, socket – free end, PVC, A-coding		
Length	● black	Pack. Unit
1 m	771-8995/108-101	1
2 m	771-8995/108-201	1
3 m	771-8995/108-301	1
4 m	771-8995/108-401	1
5 m	771-8995/108-501	1
6 m	771-8995/108-601	1
7 m	771-8995/108-701	1
8 m	771-8995/108-801	1



Dimensions (in mm):



Connecting cable, plug – free end, PVC, A-coding		
Length	● black	Pack. Unit
1 m	771-8995/208-101	1
2 m	771-8995/208-201	1
3 m	771-8995/208-301	1
4 m	771-8995/208-401	1
5 m	771-8995/208-501	1
6 m	771-8995/208-601	1
7 m	771-8995/208-701	1
8 m	771-8995/208-801	1

Additional cable lengths available upon request.

- 771 Series Accessories, see page 355
- Approvals, see www.wago.com
- Codings, see page 372

Coding	Marking	Color
A	N ⊕ L1 L2 L3	● black
A	N ⊕ L1 L2 L3	○ white

# WINSTA® MIDI

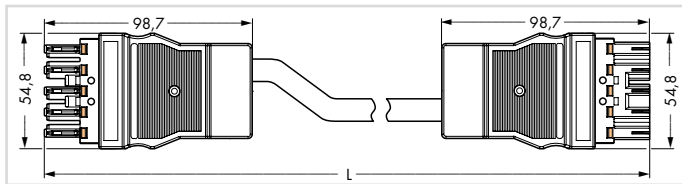
## Cable Assemblies 5 x 4 mm<sup>2</sup>, Halogen-Free 771 Series

halogen-free	(H)05Z1Z1-F 5G4
--------------	-----------------

Rated voltage	400 V
Rated current	25 A
Strip length	9 mm / 0.35 inch
Conductor preparation	tip-bonded



Dimensions (in mm):

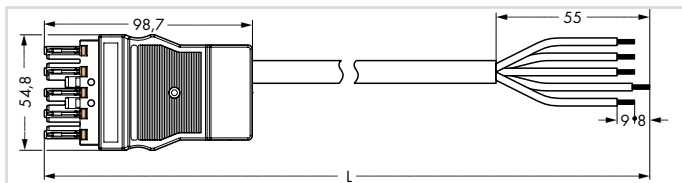


Interconnecting cable, socket – plug, halogen-free, A-coding

Length	● black	Pack. Unit
1 m	771-8995/018-101	1
2 m	771-8995/018-201	1
3 m	771-8995/018-301	1
4 m	771-8995/018-401	1
5 m	771-8995/018-501	1
6 m	771-8995/018-601	1
7 m	771-8995/018-701	1
8 m	771-8995/018-801	1



Dimensions (in mm):

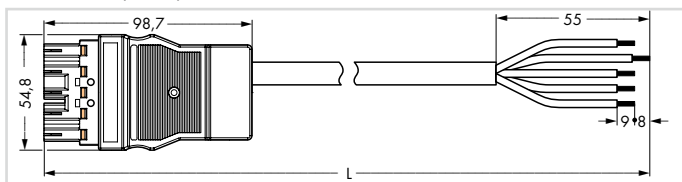


Connecting cable, socket – free end, halogen-free, A-coding

Length	● black	Pack. Unit
1 m	771-8995/118-101	1
2 m	771-8995/118-201	1
3 m	771-8995/118-301	1
4 m	771-8995/118-401	1
5 m	771-8995/118-501	1
6 m	771-8995/118-601	1
7 m	771-8995/118-701	1
8 m	771-8995/118-801	1



Dimensions (in mm):



Connecting cable, plug – free end, halogen-free, A-coding

Length	● black	Pack. Unit
1 m	771-8995/218-101	1
2 m	771-8995/218-201	1
3 m	771-8995/218-301	1
4 m	771-8995/218-401	1
5 m	771-8995/218-501	1
6 m	771-8995/218-601	1
7 m	771-8995/218-701	1
8 m	771-8995/218-801	1

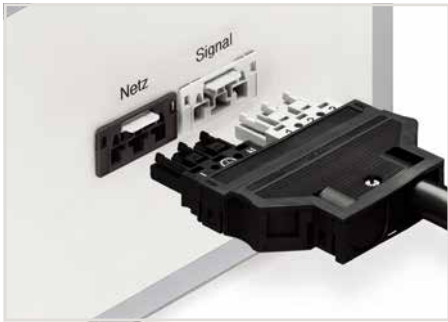
Coding	Marking	Color
A	N ⊕ L1 L2 L3	● black
A	N ⊕ L1 L2 L3	○ white



# WINSTA® MIDI

## Strain Relief Housings, 6-Pole

### 770 Series

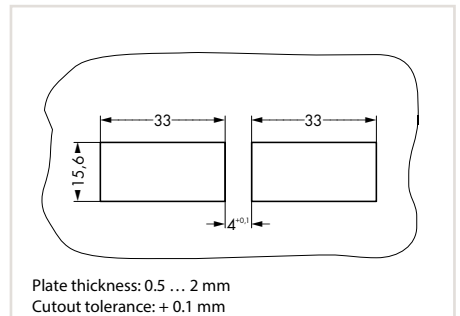
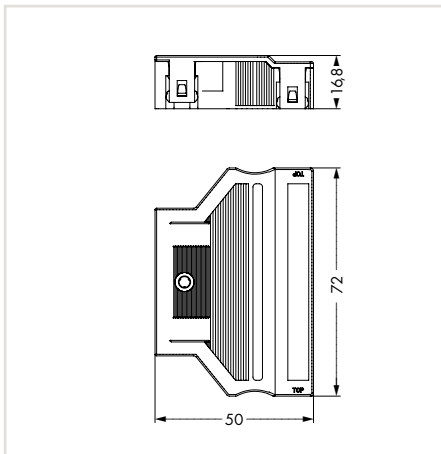


3

Snap-on type strain relief housings for:

- two 3-pole sockets
- two 3-pole plugs
- 3-pole socket and plug

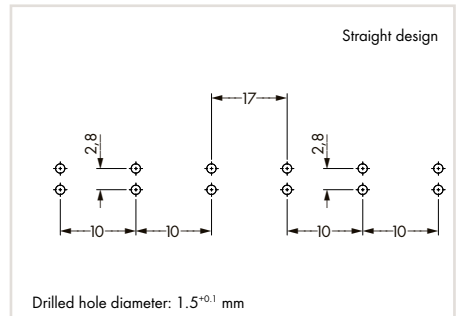
Dimensions (in mm):



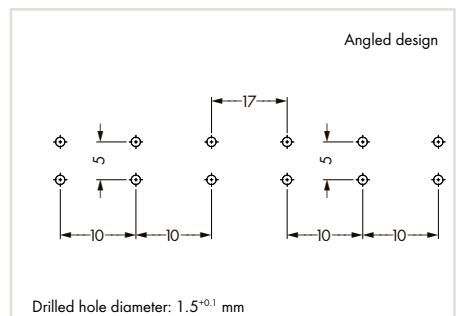
Using a 6-pole strain relief housing with snap-in connectors requires the cutout dimensions shown above.

Strain relief housing,  
for two cables,  
for 8.5 ... 13.5 mm cable diameter,  
55 mm strip length

Color	Item No.	Pack. Unit
black	770-506/029-000	50
white	770-516/029-000	50



Using a straight, 6-pole PCB connector requires the hole patterns shown above.



Using an angled, 6-pole PCB connector requires the hole patterns shown above.

Marking strips,  
see page 369

Approvals,  
see www.wago.com



# WINSTA® MIDI

## Strain Relief Housings, 7-Pole

### 770 Series

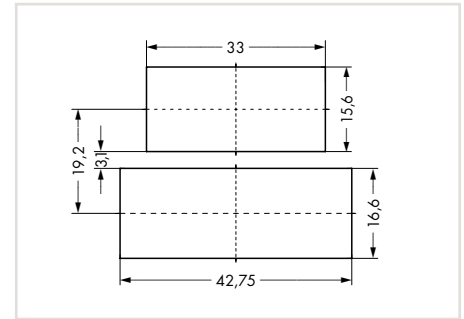
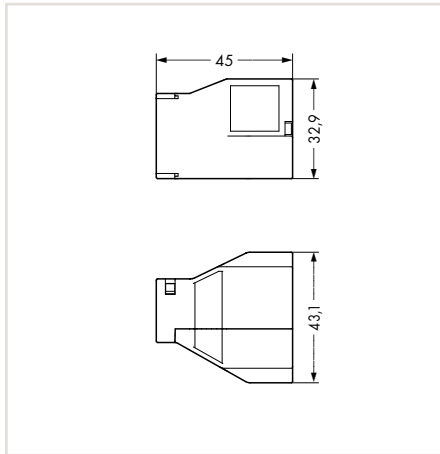


Snap-on type strain relief housings for:

- 3-pole socket or plug
- 4-pole socket or plug



Flying leads  
(NOTICE: Only use locking levers on upper position)



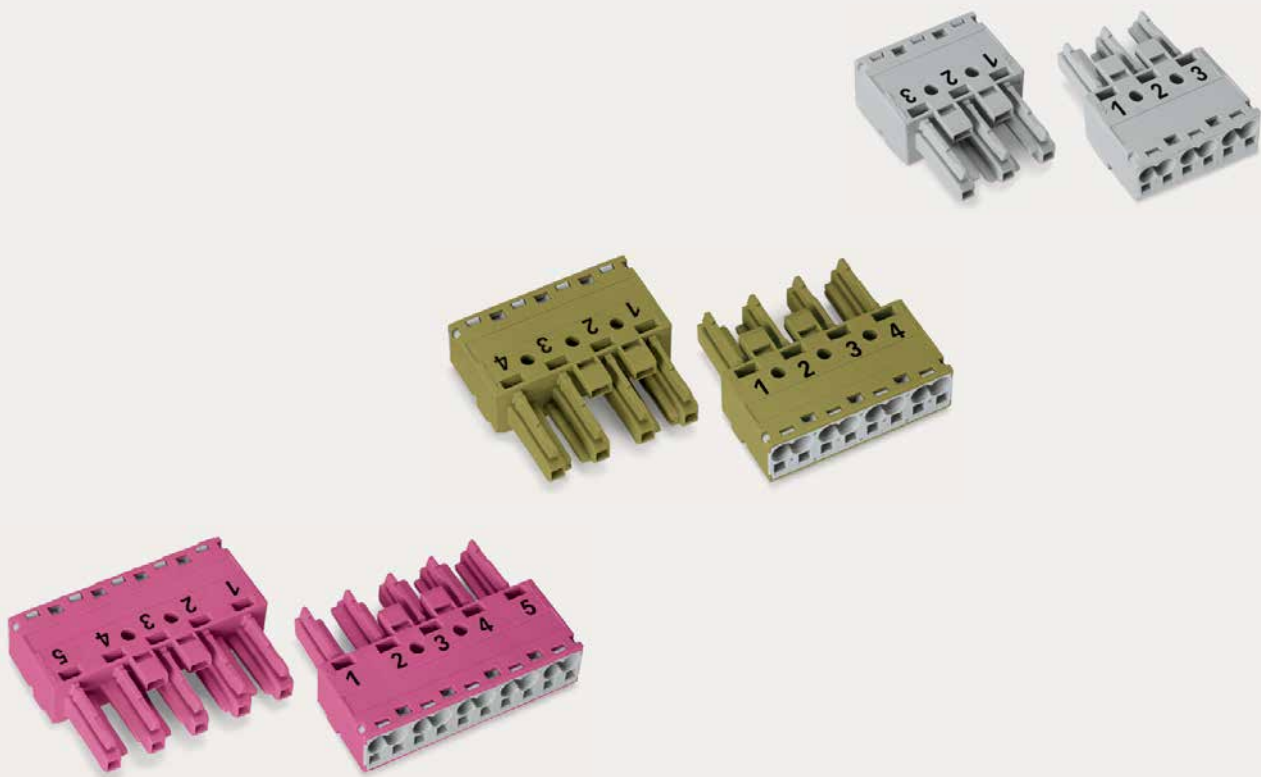
Using a 7-pole strain relief housing with snap-in connectors requires the cutout dimensions shown above.



Flying leads

Strain relief housing,  
for one cable, 8 ... 15 mm cable diameter,  
55 mm strip length

Color	Item No.	Pack. Unit
black	770-507/047-000	200
white	770-517/047-000	200



## WINSTA® MIDI special

### Important note:







B-Coded components of the *WINSTA*® MIDI special series are designed for specialty applications (e.g., measurement, control and regulation technology) and certified per DIN EN 61984. In addition to the gray models rated from 110 to 400 V, there is now also a variant in light green for low voltages up to 48 V, as well as a pink one for bus applications. Each of the three versions is available in 2-, 3- or 4- and 5-pole configurations. Pole marking can be printed at the factory to suit customer requirements. B-coded products are protected against mismatching with all other coding types found in the *WINSTA*® system. Within B-coding, all special variants can mate with each other. The variable coding system provides clear circuit identification. Special variants can be clearly differentiated according to color and pole marking. They can be coded on-site or delivered with factory-installed custom coding.

## WINSTA® MIDI special

### 4 mm<sup>2</sup> / 25 A

### 770 / 771 Series

- Note**
- Installation connectors are designed for connection and disconnection while not under load.
  - There is no hazard-inducing interchangeability with systems based on IEC 60309, IEC 60320, IEC 60906 and with national connector and socket systems.
  - Compliance with the standards does not guarantee hazard-preventing, non-interchangeability with installation connector systems from various manufacturers.
  - Installation connector systems are not a substitute for residential connector/socket systems.

		Page
	<b>Pluggable Connectors, 770 Series</b>	
	2-pole	215
	3-pole	222
	4-pole	232
	5-pole	242
	<b>Strain Relief Housings, 770 Series</b>	
	2-pole	216
	3-pole	223
	4-pole	233
	5-pole	243
	<b>Snap-In Device Connectors, 770 Series</b>	
	2-pole	217
	3-pole	224
	4-pole	234
	5-pole	244
	<b>Pluggable PCB Connectors, 770 Series</b>	
	3-pole	226
	4-pole	236
	5-pole	246
	<b>Distribution Connectors, 770 Series</b>	
	2-pole	218
	3-pole	228
	4-pole	238
	5-pole	248
	<b>Cable Assemblies, 771 Series</b>	
	2-pole	220
	3-pole	230
	4-pole	240
	5-pole	250

## WINSTA® MIDI special

### Technical Data, 2- to 5-Pole

#### 770 / 771 Series



#### Connection Data

Connection technology	Push-in CAGE CLAMP®
Solid conductor	0.5 ... 4 mm <sup>2</sup> / 20 ... 12 AWG
Solid conductor, push-in termination	1.5 ... 4 mm <sup>2</sup> / 16 ... 12 AWG
Stranded conductor	0.5 ... 2.5 mm <sup>2</sup> / 20 ... 14 AWG
Fine-stranded conductor	0.5 ... 4 mm <sup>2</sup> / 20 ... 12 AWG
Fine-stranded conductor with uninsulated ferrule	0.25 ... 2.5 mm <sup>2</sup> / 20 ... 14 AWG
Fine-stranded conductor with insulated ferrule	0.25 ... 1.5 mm <sup>2</sup> / 20 ... 16 AWG
Strip length	9 mm / 0.35 inch (see also packaging or instructions)

#### Electrical Data

Ratings per*	IEC/EN 60664-1
Rated voltage (III / 3)	
2-pole	250 V
3-pole	250 V
4-pole	400 V
5-pole	400 V
Rated surge voltage (III / 3)	
2-pole	4 kV
3-pole	4 kV
4-pole	6 kV
5-pole	6 kV
Rated current	
2-pole	25 A
3-pole	25 A
4-pole	25 A 25 A for 3-pole load 20 A for 4-pole load
5-pole	25 A 25 A for 3-pole load 20 A for 4- and 5-pole load
Approvals per	UL 1977 (factory wiring only)
Rated voltage (UL)	600 V
Rated current (UL)	23 A


Application note for the U.S. market (USR):  
Some versions may also be used for current interruption in accordance with the UL certificate in select applications with currents below 16 A and voltages up to 600 V.  
For further information, please contact your local sales office.


Clearances and creepage distances	≥ 5.5 mm to exposed surfaces
Contact resistance	approx. 1 mΩ contact resistance approx. 0.25 mΩ contact transition socket / plug
Number of potentials	
2-pole	2
3-pole	3
4-pole	4
5-pole	5
Number of connection points	
2-pole	2
3-pole	3
4-pole	4
5-pole	5


#### Mechanical Data

Mating cycles	200, without resistive load 100, with resistive load $I_N = 16 \text{ A}$ (1.5 mm <sup>2</sup> )
Mating forces	20 ... 70 N (depending on pole number)
Unmating forces	20 ... 70 N (depending on pole number) when unlocked
Retention forces	> 80 N (locked)

\*(III / 3) Δ Overvoltage category III /  
Pollution degree 3

 770/771 Series Accessories,  
see page 355

 Approvals,  
see [www.wago.com](http://www.wago.com)

 Coding overview,  
see page 372

**Mechanical Data (Continued)**

Cable diameter	
2-pole	7 ... 10.5 mm
3-pole	8 ... 11.5 mm Ø
4-pole	9 ... 13 mm
5-pole	9 ... 13 mm
Protection type	IP2xC (with strain relief housing) Note: These compact connectors are not designed for use in open, easily accessible areas.
Processing temperature	-5 ... +40 °C
Continuous operating temperature	-35 ... ≤ +85 °C PVC cable ≤ +70 °C (incl. halogen-free) Insulating parts ≤ +105 °C

**Locking Levers**

All connectors for mounted installations (snap-in versions for lighting fixtures or devices, all types of PCB and distribution connectors) are factory-equipped with locking levers to ensure plugs and sockets are securely locked. Additional locking levers are only required for "flying leads" (plug/socket).

**Material Data**

Insulating parts	Polyamide (PA 66), halogen-free
Contacts	Copper or copper alloy, surface-treated
Clamping spring	Stainless steel (Cr-Ni)
Flammability class (per UL 94)	V0

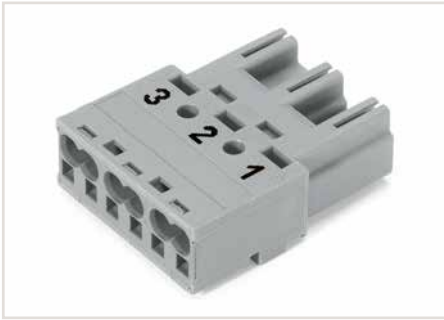
**Standards/Approvals**

- UL (Depending on end-product standard, it may be necessary to use UL-approved cables with an appropriate AWG. These cables are available upon request.)
- CCA certificate
- IEC 61984
- LR
- GL
- DNV
- Strain relief housings for use in easily accessible areas are available (see page 154). These products meet IP 2XD protection class.

# WINSTA® MIDI special

## Description and Installation

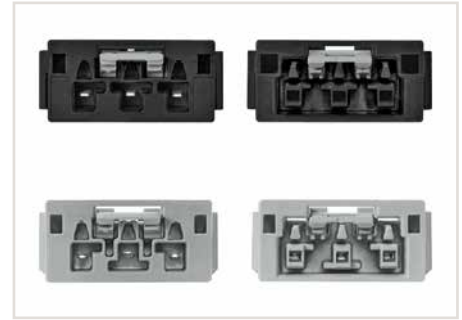
### 770 / 771 Series



Gray, B-coded connector with "3 2 1" marking, e.g., control signal (A circuit)



Easy circuit identification via different marking and colors

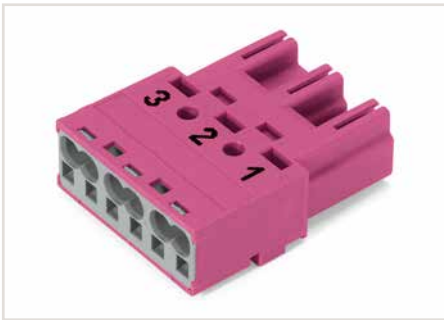


B-coded connectors (shown in gray) not only differ in color, but also in their design, making them incompatible with other coded connectors.

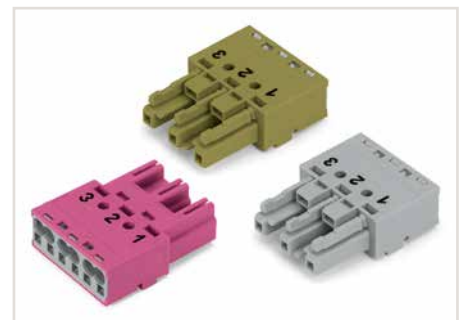
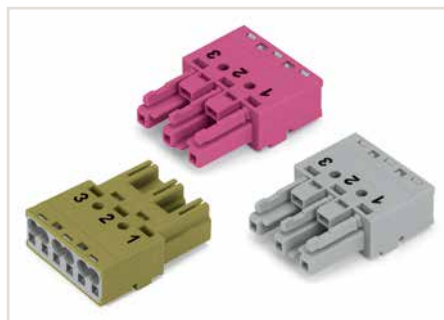
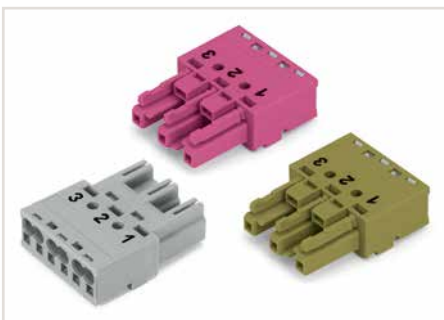
4



Light green, B-coded connector with "3 2 1" marking, e.g., DC power supply (24 V circuit)



Pink, B-coded connector with "3 2 1" marking, e.g., control signal (B circuit)



B-coded connectors with different colors can be plugged together.

**Important note:**

Different colors and/or pole markings are used for circuit identification.

Only connectors of the same color and same pole marking must be plugged together.

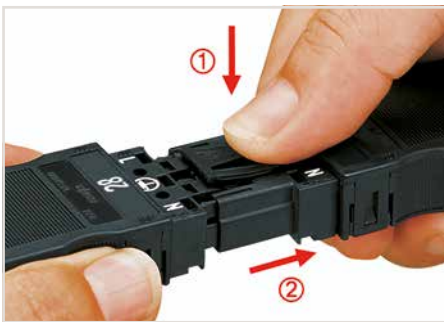
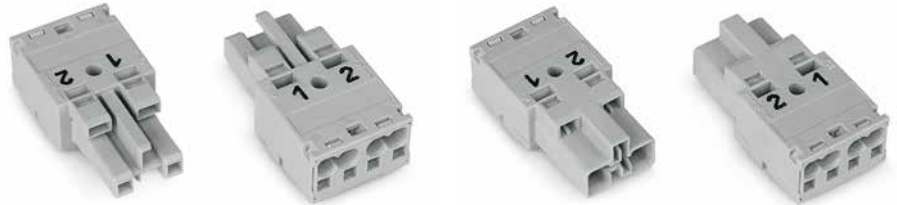
Installation notes for conductor connection, shield termination, operating tools and mounting aids for WINSTA® MIDI special pluggable connectors, see page 106.

# WINSTA® MIDI special Sockets and Plugs, 2-Pole 770 Series



Snap on locking lever – observe direction (picture shows 3-pole plug).

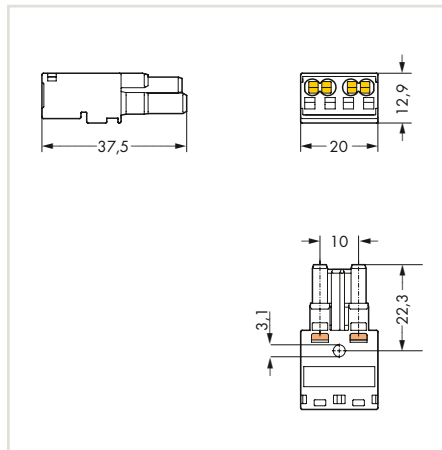
Conductor range, solid and fine-stranded	0.5 ... 4 mm <sup>2</sup> / 20 ... 12 AWG
Conductor range, stranded	0.5 ... 2.5 mm <sup>2</sup> / 20 ... 14 AWG
Rated voltage	250 V
Rated current	25 A
Strip length	9 mm / 0.35 inch



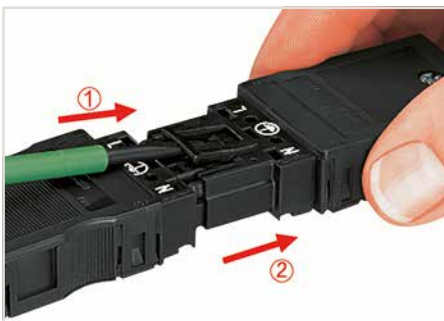
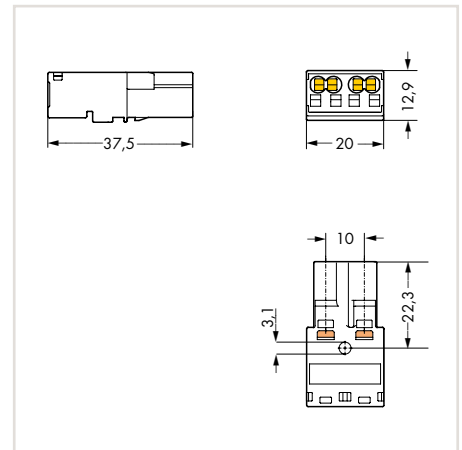
Locking lever, manually operated (picture shows 3-pole connectors):

- Push on locking lever
- Pull the connectors apart

Dimensions (in mm):



Dimensions (in mm):



Locking lever, tool operated (picture shows 3-pole connectors):

- Unlatch locking lever
- Pull the connectors apart

Socket, without strain relief housing		
Color	Item No.	Pack. Unit
gray	770-242	100
gray	770-242/060-000	100
light green	770-262	100
pink	770-282	100
pink	770-282/080-000	100
pink	770-282/082-000	100

Plug, without strain relief housing		
Color	Item No.	Pack. Unit
gray	770-252	100
gray	770-252/060-000	100
light green	770-272	100
pink	770-292	100
pink	770-292/080-000	100
pink	770-292/082-000	100

Additional pole markings available upon request.

**Note:**  
All connectors for fixed installations (snap-in versions for lighting fixtures or devices, all types of PCB and distribution connectors) are factory-equipped with locking levers to ensure plugs and sockets are securely locked. Additional locking levers are only required for "flying leads" (plug/ socket).

- 770 Series Accessories, see page 355
- Approvals, see www.wago.com
- Coding overview, see page 374

Coding	Marking	Suffix No.	Color
B	1 2		gray
B	L N	/060-000	gray
B	1 2		light green
B	1 2		pink
B	1+ 1-	/080-000	pink
B	+ -	/082-000	pink



# WINSTA® MIDI special

## Strain Relief Housings for Different Cable Diameters, 2-Pole 770 Series



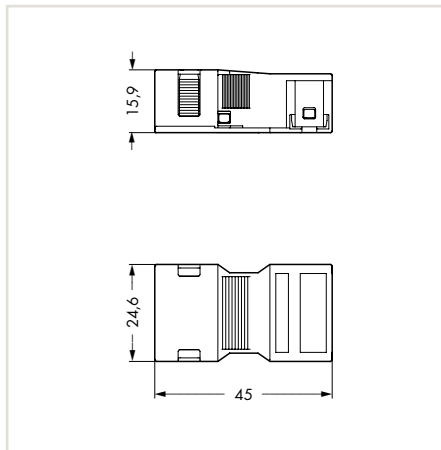
Snap-on type strain relief housings for:

- 2-pole sockets
- 2-pole plugs



4

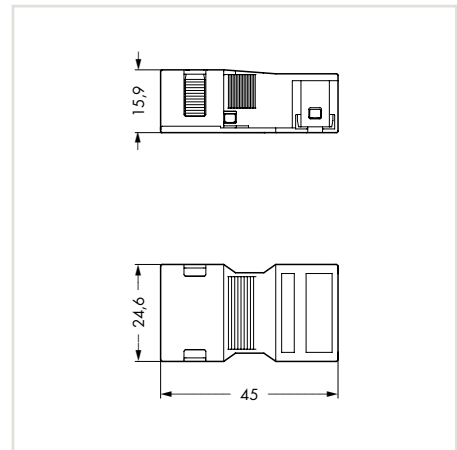
Dimensions (in mm):



Strain relief housing,  
for one cable, 5 ... 9 mm cable diameter,  
35 mm strip length

Color	Item No.	Pack. Unit
black	770-502/042-000	50
white	770-512/042-000	50

Dimensions (in mm):



Strain relief housing,  
for one cable, 7 ... 10.5 mm cable diameter,  
35 mm strip length

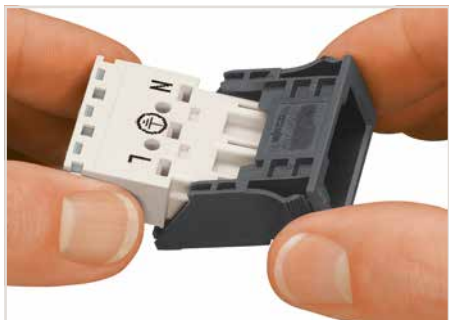
Color	Item No.	Pack. Unit
black	770-502/041-000	50
white	770-512/041-000	50

Marking strips,  
see page 369

Approvals,  
see www.wago.com



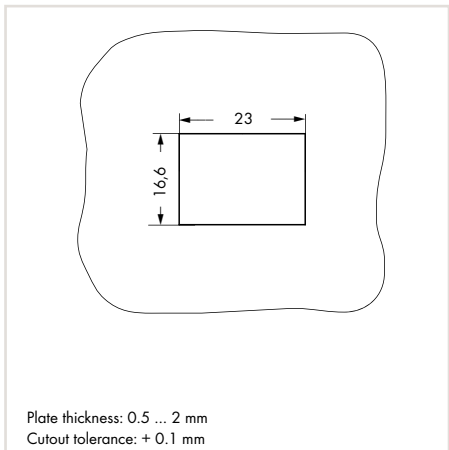
# WINSTA® MIDI special Snap-In Frames, 2-Pole 770 Series



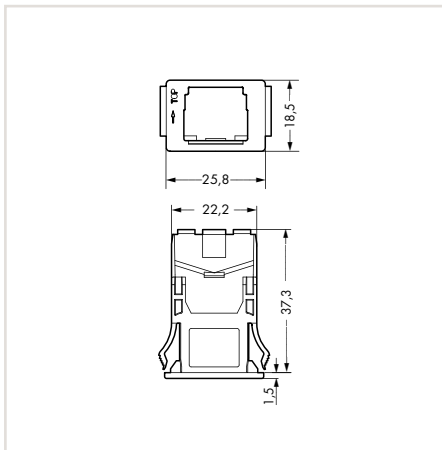
Insert the socket or plug into the frame (observe the "TOP" marking on the frame!), Snap the assembled unit into the cutout (example shows a 3-pole connector).



Dimensions (in mm):



Dimensions (in mm):



Snap-in frame,  
for 2-pole sockets and plugs

Color	Item No.	Pack. Unit
black	770-317	100
white	770-337	100

# WINSTA® MIDI special

## Distribution Connectors, 2-Pole

### 770 Series

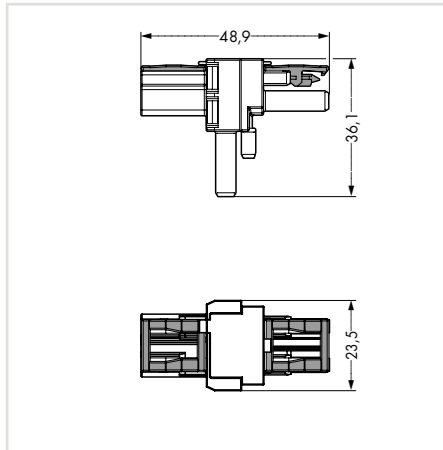
Rated voltage	250 V
Rated current	25 A

Rated voltage	250 V
Rated current	25 A

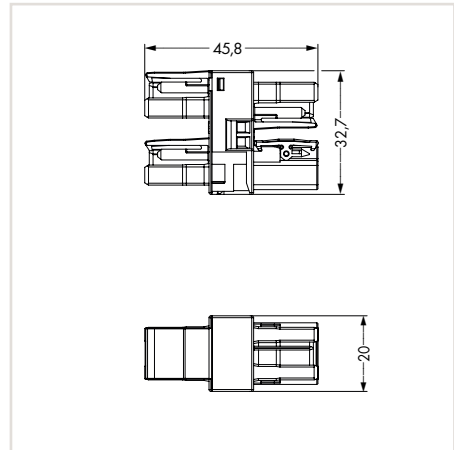


4

Dimensions (in mm):



Dimensions (in mm):



T-distribution connector, 1 x plug/2 x socket		
Color	Item No.	Pack. Unit
○ gray	770-1601	50
● light green	770-1602	50
● pink	770-1603	50

Distribution connector, 3-way, 1 x plug/3 x socket		
Color	Item No.	Pack. Unit
○ gray	770-1704	50
● light green	770-1705	50
● pink	770-1706	50

T-distribution connector, 1 x plug/2 x socket, for "flying leads," with 3rd locking lever		
Color	Item No.	Pack. Unit
○ gray	770-1701	50
● light green	770-1702	50
● pink	770-1703	50

Additional pole markings available upon request.

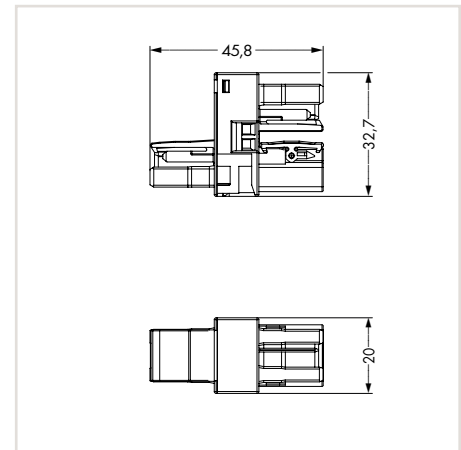
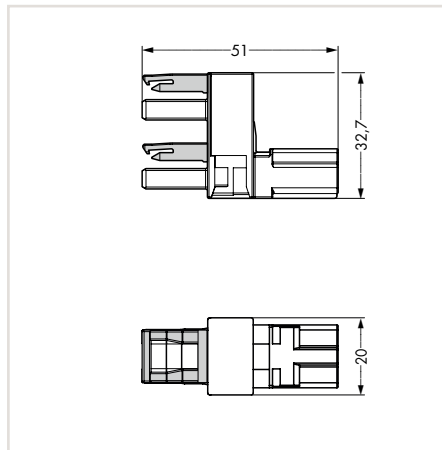
- 770 Series Accessories, see page 355
- Approvals, see www.wago.com
- Coding overview, see page 374

Coding	Marking	Color
B	1 2	○ gray
B	1 2	● light green
B	1 2	● pink

Rated voltage	250 V
Rated current	25 A



Dimensions (in mm):



**h-distribution connector, unidirectional, plug/socket – socket**

Color	Item No.	Pack. Unit
○ gray	770-1651	50
● light green	770-1652	50
● pink	770-1653	50

**h-distribution connector, bi-directional, plug/socket – socket**

Color	Item No.	Pack. Unit
○ gray	770-1608	50
● light green	770-1609	50
● pink	770-1610	50

**h-distribution connector, unidirectional, plug/socket – socket, for "flying leads," with 3rd locking lever**

Color	Item No.	Pack. Unit
○ gray	770-1751	50
● light green	770-1752	50
● pink	770-1753	50

**h-distribution connector, bi-directional, plug/socket – socket, for "flying leads," with 3rd locking lever**

Color	Item No.	Pack. Unit
○ gray	770-1658	50
● light green	770-1659	50
● pink	770-1660	50

Coding	Marking	Color
B	1 2	○ gray
B	1 2	● light green
B	1 2	● pink

4

# WINSTA® MIDI special

## Cable Assemblies 2 x 1 mm<sup>2</sup>, PVC

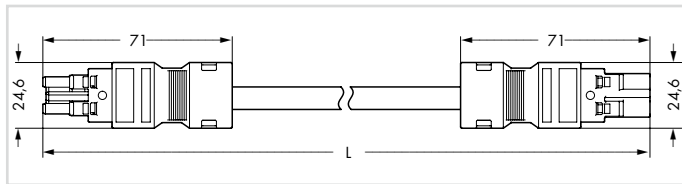
### 771 Series

PVC Control line: 2 x 1, gray

Rated voltage	250 V
Rated current	10 A
Strip length	9 mm / 0.35 inch
Conductor preparation	tip-bonded



Dimensions (in mm):

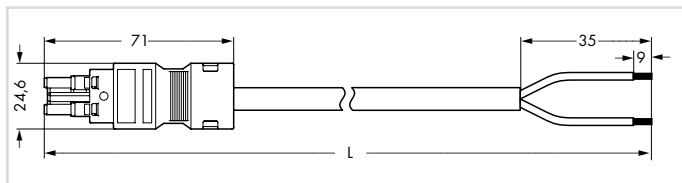


Interconnecting cable, socket – plug, PVC, B-coding

Length	○ gray	● light green	● pink	Pack. Unit
1 m	771-8992/005-103	771-8992/005-105	771-8992/005-107	1
2 m	771-8992/005-203	771-8992/005-205	771-8992/005-207	1
3 m	771-8992/005-303	771-8992/005-305	771-8992/005-307	1
4 m	771-8992/005-403	771-8992/005-405	771-8992/005-407	1
5 m	771-8992/005-503	771-8992/005-505	771-8992/005-507	1
6 m	771-8992/005-603	771-8992/005-605	771-8992/005-607	1
7 m	771-8992/005-703	771-8992/005-705	771-8992/005-707	1
8 m	771-8992/005-803	771-8992/005-805	771-8992/005-807	1



Dimensions (in mm):

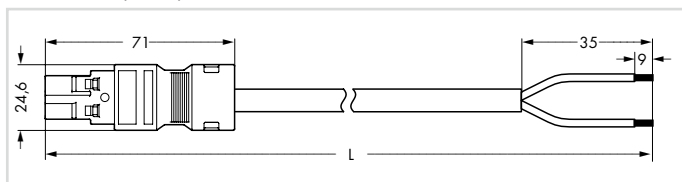


Connecting cable, socket – free end, PVC, B-coding

Length	○ gray	● light green	● pink	Pack. Unit
1 m	771-8992/105-103	771-8992/105-105	771-8992/105-107	1
2 m	771-8992/105-203	771-8992/105-205	771-8992/105-207	1
3 m	771-8992/105-303	771-8992/105-305	771-8992/105-307	1
4 m	771-8992/105-403	771-8992/105-405	771-8992/105-407	1
5 m	771-8992/105-503	771-8992/105-505	771-8992/105-507	1
6 m	771-8992/105-603	771-8992/105-605	771-8992/105-607	1
7 m	771-8992/105-703	771-8992/105-705	771-8992/105-707	1
8 m	771-8992/105-803	771-8992/105-805	771-8992/105-807	1



Dimensions (in mm):



Connecting cable, plug – free end, PVC, B-coding

Length	○ gray	● light green	● pink	Pack. Unit
1 m	771-8992/205-103	771-8992/205-105	771-8992/205-107	1
2 m	771-8992/205-203	771-8992/205-205	771-8992/205-207	1
3 m	771-8992/205-303	771-8992/205-305	771-8992/205-307	1
4 m	771-8992/205-403	771-8992/205-405	771-8992/205-407	1
5 m	771-8992/205-503	771-8992/205-505	771-8992/205-507	1
6 m	771-8992/205-603	771-8992/205-605	771-8992/205-607	1
7 m	771-8992/205-703	771-8992/205-705	771-8992/205-707	1
8 m	771-8992/205-803	771-8992/205-805	771-8992/205-807	1

Additional cable lengths available upon request.

771 Series Accessories, see page 355

Approvals, see www.wago.com

Codings, see page 374

Coding

B

B

B

Marking

1 2

1 2

1 2

Color

○ gray

● light green

● pink

# WINSTA® MINI special

## Cable Assemblies 2 x 1.5 mm<sup>2</sup>, PVC

### 771 Series

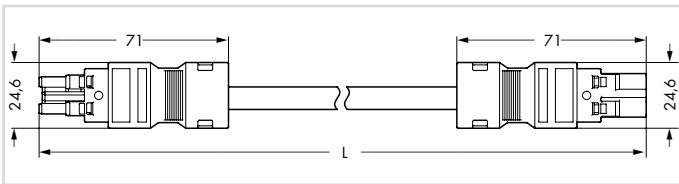
PVC

Control line: 2 x 1.5, gray

Rated voltage	250 V
Rated current	16 A
Strip length	9 mm / 0.35 inch
Conductor preparation	tip-bonded



Dimensions (in mm):

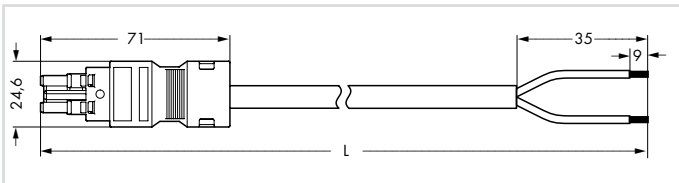


Interconnecting cable, socket – plug, PVC, B-coding

Length	○ gray	● light green	● pink	Pack. Unit
1 m	771-8992/006-103	771-8992/006-105	771-8992/006-107	1
2 m	771-8992/006-203	771-8992/006-205	771-8992/006-207	1
3 m	771-8992/006-303	771-8992/006-305	771-8992/006-307	1
4 m	771-8992/006-403	771-8992/006-405	771-8992/006-407	1
5 m	771-8992/006-503	771-8992/006-505	771-8992/006-507	1
6 m	771-8992/006-603	771-8992/006-605	771-8992/006-607	1
7 m	771-8992/006-703	771-8992/006-705	771-8992/006-707	1
8 m	771-8992/006-803	771-8992/006-805	771-8992/006-807	1



Dimensions (in mm):

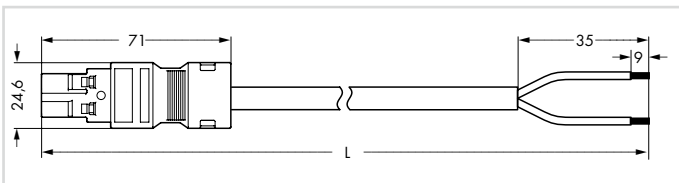


Connecting cable, socket – free end, PVC, B-coding

Length	○ gray	● light green	● pink	Pack. Unit
1 m	771-8992/106-103	771-8992/106-105	771-8992/106-107	1
2 m	771-8992/106-203	771-8992/106-205	771-8992/106-207	1
3 m	771-8992/106-303	771-8992/106-305	771-8992/106-307	1
4 m	771-8992/106-403	771-8992/106-405	771-8992/106-407	1
5 m	771-8992/106-503	771-8992/106-505	771-8992/106-507	1
6 m	771-8992/106-603	771-8992/106-605	771-8992/106-607	1
7 m	771-8992/106-703	771-8992/106-705	771-8992/106-707	1
8 m	771-8992/106-803	771-8992/106-805	771-8992/106-807	1



Dimensions (in mm):



Connecting cable, plug – free end, PVC, B-coding

Length	○ gray	● light green	● pink	Pack. Unit
1 m	771-8992/206-103	771-8992/206-105	771-8992/206-107	1
2 m	771-8992/206-203	771-8992/206-205	771-8992/206-207	1
3 m	771-8992/206-303	771-8992/206-305	771-8992/206-307	1
4 m	771-8992/206-403	771-8992/206-405	771-8992/206-407	1
5 m	771-8992/206-503	771-8992/206-505	771-8992/206-507	1
6 m	771-8992/206-603	771-8992/206-605	771-8992/206-607	1
7 m	771-8992/206-703	771-8992/206-705	771-8992/206-707	1
8 m	771-8992/206-803	771-8992/206-805	771-8992/206-807	1

Coding	Marking	Color
B	1 2	○ gray
B	1 2	● light green
B	1 2	● pink

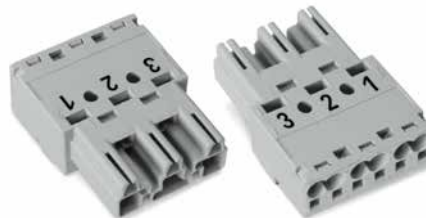
# WINSTA® MIDI special Sockets and Plugs, 3-Pole 770 Series



Snap on locking lever. Observe direction!

Conductor range, solid and fine-stranded
Conductor range, stranded
Rated voltage
Rated current
Strip length

0.5 ... 4 mm <sup>2</sup> / 20 ... 12 AWG
0.5 ... 2.5 mm <sup>2</sup> / 20 ... 14 AWG
250 V
25 A
9 mm / 0.35 inch

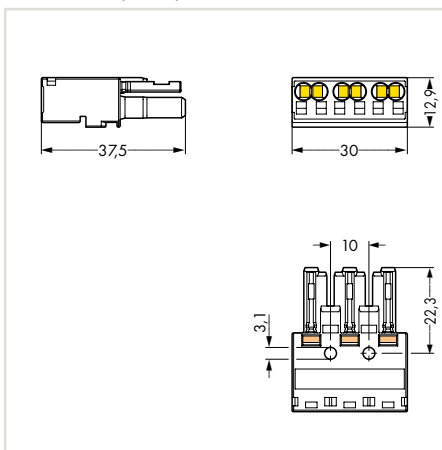


4

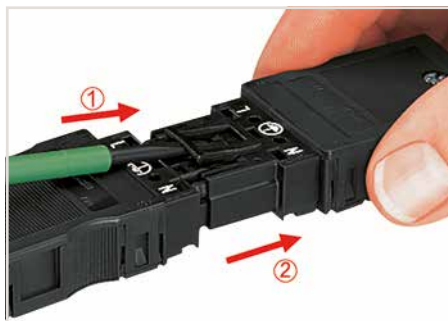
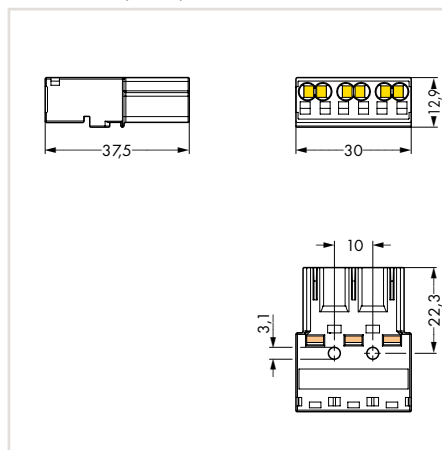


Locking lever, manually operated:  
 • Push on locking lever  
 • Pull the connectors apart

Dimensions (in mm):



Dimensions (in mm):



Locking lever, tool operated:  
 • Unlatch locking lever  
 • Pull the connectors apart

Socket, without strain relief housing		
Color	Item No.	Pack. Unit
○ gray	770-243	100
○ gray	770-243/060-000	100
○ gray	770-243/062-000	100
● light green	770-263	100
● light green	770-263/071-000	100
● light green	770-263/073-000	100
● pink	770-283	100
● pink	770-283/081-000	100
● pink	770-283/082-000	100

Plug, without strain relief housing		
Color	Item No.	Pack. Unit
○ gray	770-253	100
○ gray	770-253/060-000	100
○ gray	770-253/062-000	100
● light green	770-273	100
● light green	770-273/071-000	100
● light green	770-273/073-000	100
● pink	770-293	100
● pink	770-293/081-000	100
● pink	770-293/082-000	100

**Note:**  
 All connectors for fixed installations (snap-in versions for lighting fixtures or devices, all types of PCB and distribution connectors) are factory-equipped with locking levers to ensure plugs and sockets are securely locked. Additional locking levers are only required for "flying leads" (plug/socket).

770 Series Accessories, see page 355

Approvals, see www.wago.com

Coding overview, see page 374

Coding	Marking	Suffix No.	Color
B	1 2 3		○ gray
B	L ⊕ N	/060-000	○ gray
B	2 PE 1	/062-000	○ gray
B	1 2 3		● light green
B	U+ X/Y U-	/071-000	● light green
B	1 ⊕ 2	/073-000	● light green
B	1 2 3		● pink
B	1 2 5	/081-000	● pink
B	+ S -	/082-000	● pink

## WINSTA® MIDI special Strain Relief Housings for Different Cable Diameters, 3-Pole 770 Series

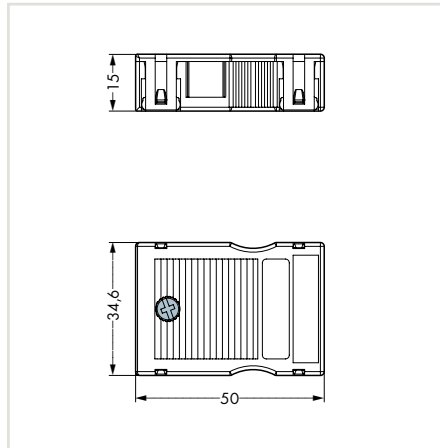


Snap-on type strain relief housings for:

- 3-pole sockets
- 3-pole plugs



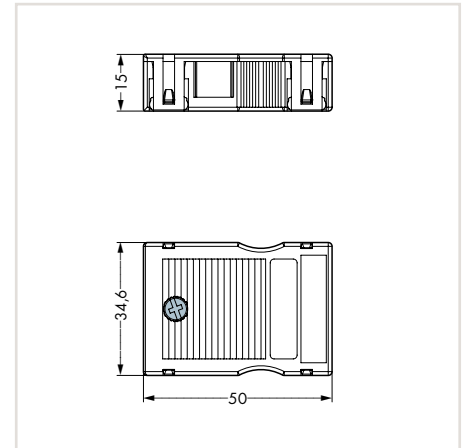
Dimensions (in mm):



Strain relief housing,  
for two cables,  
for 4.5 ... 8 mm cable diameter,  
55 mm strip length

Color	Item No.	Pack. Unit
black	770-503/023-000	50
white	770-513/023-000	50

Dimensions (in mm):





Strain relief housing,  
for two cables,  
for 8 ... 11.5 mm cable diameter,  
55 mm strip length


Color	Item No.	Pack. Unit
black	770-503	50
white	770-513	50

4

All strain relief housings are suitable for H05VV and NYM cables.  
Other cables are available upon request.

 Marking strips,  
see page 369

 Additional strain relief housings,  
see page 129

 Approvals,  
see [www.wago.com](http://www.wago.com)

# WINSTA® MIDI special

## Snap-In Sockets and Plugs, 3-Pole

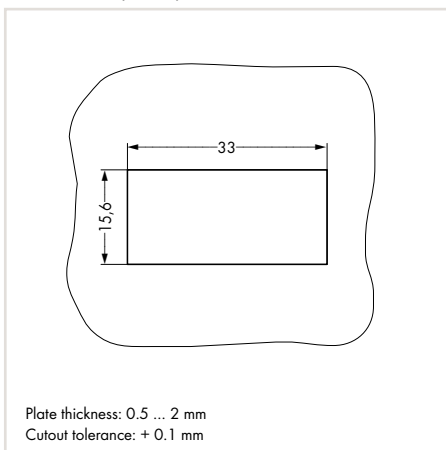
### 770 Series

Conductor range, solid and fine-stranded	0.5 ... 4 mm <sup>2</sup> / 20 ... 12 AWG
Conductor range, stranded	0.5 ... 2.5 mm <sup>2</sup> / 20 ... 14 AWG
Rated voltage	250 V
Rated current	25 A
Strip length	9 mm / 0.35 inch

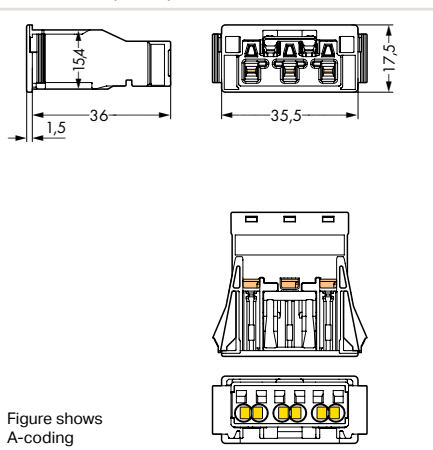


4

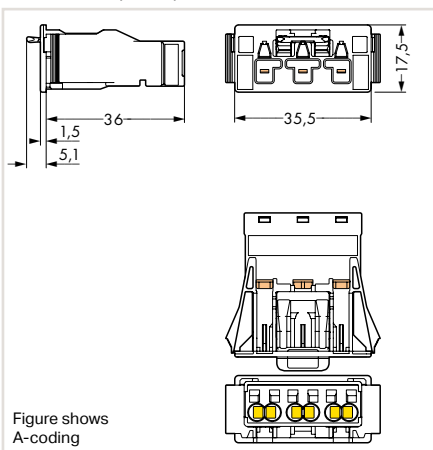
Dimensions (in mm):



Dimensions (in mm):



Dimensions (in mm):



Socket		
Color	Item No.	Pack. Unit
gray	770-743	100
gray	770-743/060-000	100
gray	770-743/062-000	100
light green	770-763	100
light green	770-763/071-000	100
light green	770-763/073-000	100
pink	770-783	100
pink	770-783/081-000	100
pink	770-783/082-000	100

Plugs		
Color	Item No.	Pack. Unit
gray	770-753	100
gray	770-753/060-000	100
gray	770-753/062-000	100
light green	770-773	100
light green	770-773/071-000	100
light green	770-773/073-000	100
pink	770-793	100
pink	770-793/081-000	100
pink	770-793/082-000	100

**Note:**  
All connectors for fixed installations (snap-in versions for lighting fixtures or devices, all types of PCB and distribution connectors) are factory-equipped with locking levers to ensure plugs and sockets are securely locked. Additional locking levers are only required for "flying leads" (plug/socket).

770 Series Accessories, see page 355

Approvals, see www.wago.com

Coding overview, see page 374

Coding	Marking	Suffix No.	Color
B	1 2 3		gray
B	L ⊕ N	/060-000	gray
B	2 PE 1	/062-000	gray
B	1 2 3		light green
B	U+ X/Y U-	/071-000	light green
B	1 ⊕ 2	/073-000	light green
B	1 2 3		pink
B	1 2 5	/081-000	pink
B	+ S -	/082-000	pink





# WINSTA® MIDI special

## Pluggable PCB Connectors, 3-Pole

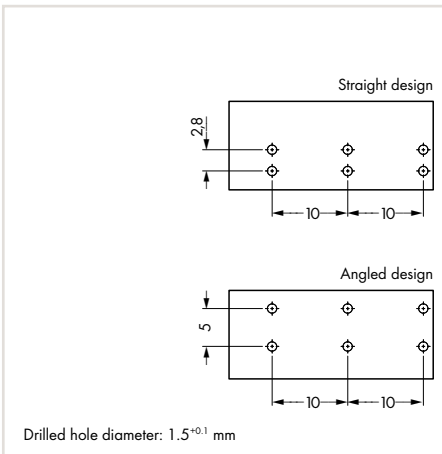
### 770 Series

Rated voltage	250 V
Rated current	25 A

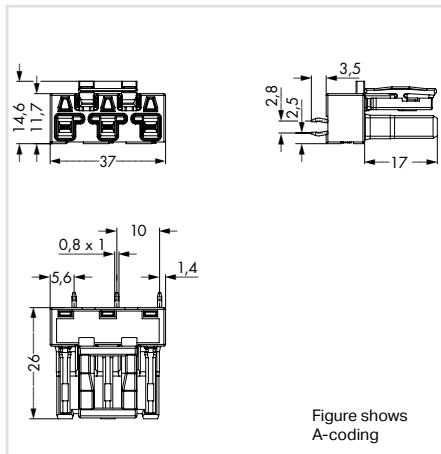


4

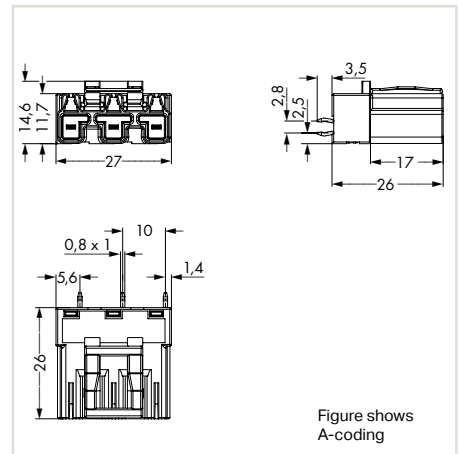
Dimensions (in mm):



Dimensions (in mm):



Dimensions (in mm):



Socket, straight		
Color	Item No.	Pack. Unit
gray	770-843	100
light green	770-863	100
pink	770-883	100

Plug, straight		
Color	Item No.	Pack. Unit
gray	770-853	100
light green	770-873	100
pink	770-893	100

Additional pole markings available upon request.

770 Series Accessories, see page 355

Approvals, see www.wago.com

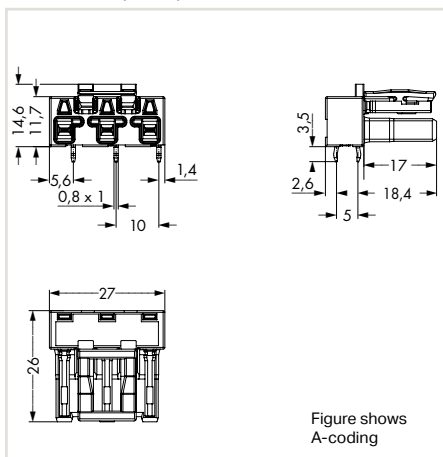
Coding overview, see page 374

Coding	Marking	Color
B	1 2 3	gray
B	1 2 3	light green
B	1 2 3	pink

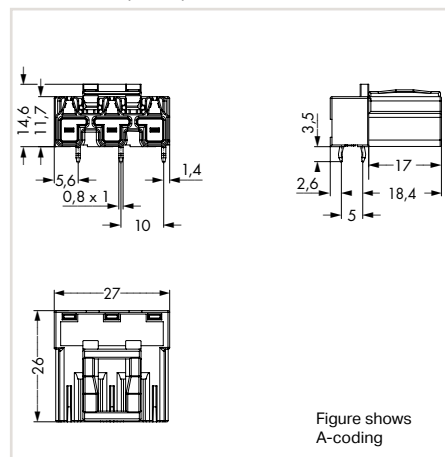
Rated voltage	250 V
Rated current	25 A



Dimensions (in mm):



Dimensions (in mm):



Socket, straight		
Color	Item No.	Pack. Unit
● gray	770-843/011-000	100
● light green	770-863/011-000	100
● pink	770-883/011-000	100

Plug, straight		
Color	Item No.	Pack. Unit
● gray	770-853/011-000	100
● light green	770-873/011-000	100
● pink	770-893/011-000	100

Coding	Marking	Color
B	1 2 3	● gray
B	1 2 3	● light green
B	1 2 3	● pink

4

## WINSTA® MIDI special

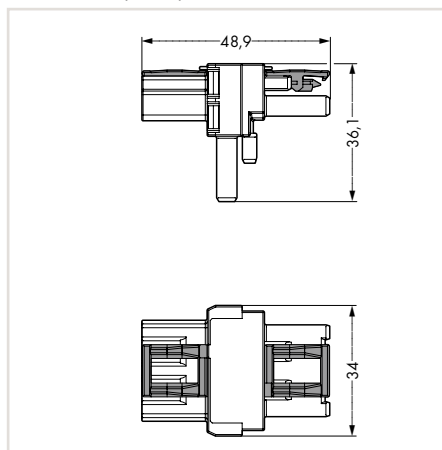
### T-Distribution Connectors, 3-Pole

#### 770 Series

Rated voltage	250 V
Rated current	25 A



Dimensions (in mm):



T-distribution connector,  
1 x plug/2 x socket

Color	Item No.	Pack. Unit
○ gray	770-967	50
● light green	770-1612	50
● pink	770-1613	50

T-distribution connector,  
1 x plug/2 x socket,  
for "flying leads,"  
with 3rd locking lever

Color	Item No.	Pack. Unit
○ gray	770-970	50
● light green	770-1712	50
● pink	770-1713	50

Additional pole markings available upon request.

770 Series Accessories,  
see page 355

Approvals,  
see [www.wago.com](http://www.wago.com)

Coding overview,  
see page 374

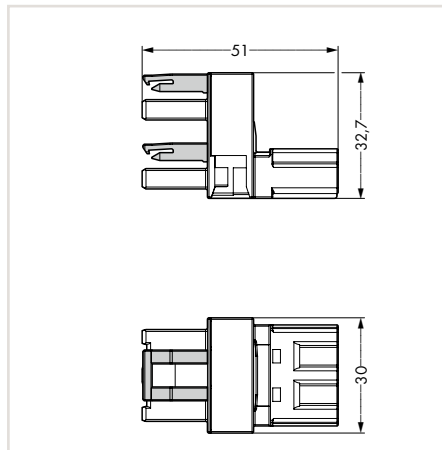
Coding	Marking	Color
B	1 2 3	○ gray
B	1 2 3	● light green
B	1 2 3	● pink

# WINSTA® MIDI special Distribution Connectors, 3-Pole 770 Series

Rated voltage	250 V
Rated current	25 A



Dimensions (in mm):

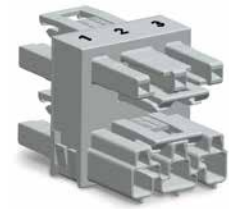


**h-distribution connector, unidirectional,  
plug/socket – socket**

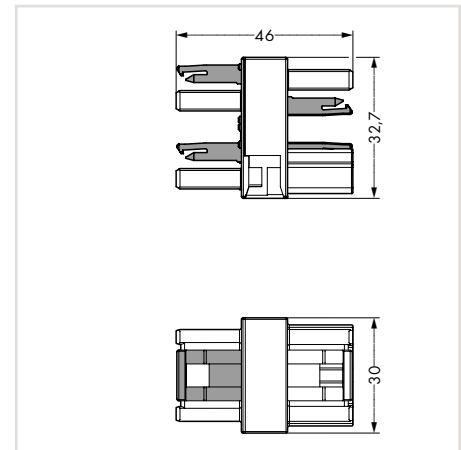
Color	Item No.	Pack. Unit
○ gray	770-1661	50
● light green	770-1662	50
● pink	770-1663	50

**h-distribution connector, unidirectional,  
plug/socket – socket,  
for “flying leads,”  
with 3rd locking lever**

Color	Item No.	Pack. Unit
○ gray	770-1761	50
● light green	770-1762	50
● pink	770-1763	50



Dimensions (in mm):



**Distribution connector, 3-way,  
1 x plug/3 x socket**

Color	Item No.	Pack. Unit
○ gray	770-1714	50
● light green	770-1715	50
● pink	770-1716	50

4

Coding	Marking	Color
B	1 2 3	○ gray
B	1 2 3	● light green
B	1 2 3	● pink

# WINSTA® MIDI special

## Cable Assemblies 3 x 1 mm<sup>2</sup>, PVC

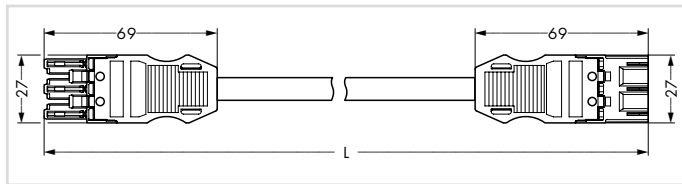
### 771 Series

PVC Control line: 3 x 1, gray

Rated voltage	250 V
Rated current	10 A
Strip length	9 mm / 0.35 inch
Conductor preparation	tip-bonded



Dimensions (in mm):



Interconnecting cable, socket – plug, PVC, B-coding

Length	○ gray	● light green	● pink	Pack. Unit
1 m	771-9993/005-103	771-9993/005-105	771-9993/005-107	1
2 m	771-9993/005-203	771-9993/005-205	771-9993/005-207	1
3 m	771-9993/005-303	771-9993/005-305	771-9993/005-307	1
4 m	771-9993/005-403	771-9993/005-405	771-9993/005-407	1
5 m	771-9993/005-503	771-9993/005-505	771-9993/005-507	1
6 m	771-9993/005-603	771-9993/005-605	771-9993/005-607	1
7 m	771-9993/005-703	771-9993/005-705	771-9993/005-707	1
8 m	771-9993/005-803	771-9993/005-805	771-9993/005-807	1



Dimensions (in mm):



Connecting cable, socket – free end, PVC, B-coding

Length	○ gray	● light green	● pink	Pack. Unit
1 m	771-9993/105-103	771-9993/105-105	771-9993/105-107	1
2 m	771-9993/105-203	771-9993/105-205	771-9993/105-207	1
3 m	771-9993/105-303	771-9993/105-305	771-9993/105-307	1
4 m	771-9993/105-403	771-9993/105-405	771-9993/105-407	1
5 m	771-9993/105-503	771-9993/105-505	771-9993/105-507	1
6 m	771-9993/105-603	771-9993/105-605	771-9993/105-607	1
7 m	771-9993/105-703	771-9993/105-705	771-9993/105-707	1
8 m	771-9993/105-803	771-9993/105-805	771-9993/105-807	1



Dimensions (in mm):



Connecting cable, plug – free end, PVC, B-coding

Length	○ gray	● light green	● pink	Pack. Unit
1 m	771-9993/205-103	771-9993/205-105	771-9993/205-107	1
2 m	771-9993/205-203	771-9993/205-205	771-9993/205-207	1
3 m	771-9993/205-303	771-9993/205-305	771-9993/205-307	1
4 m	771-9993/205-403	771-9993/205-405	771-9993/205-407	1
5 m	771-9993/205-503	771-9993/205-505	771-9993/205-507	1
6 m	771-9993/205-603	771-9993/205-605	771-9993/205-607	1
7 m	771-9993/205-703	771-9993/205-705	771-9993/205-707	1
8 m	771-9993/205-803	771-9993/205-805	771-9993/205-807	1

Additional cable lengths available upon request.

- 771 Series Accessories, see page 355
- Approvals, see www.wago.com
- Codings, see page 374

Coding	Marking	Color
B	1 2 3	○ gray
B	1 2 3	● light green
B	1 2 3	● pink

# WINSTA® MINI special

## Cable Assemblies 3 x 1.5 mm<sup>2</sup>, PVC

### 771 Series

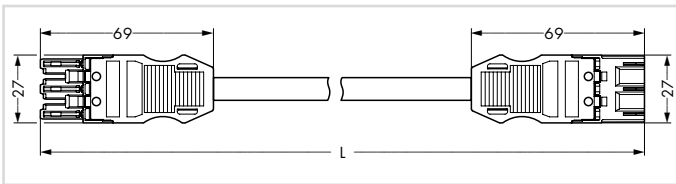
PVC

Control line: 3 x 1.5, gray

Rated voltage	250 V
Rated current	16 A
Strip length	9 mm / 0.35 inch
Conductor preparation	tip-bonded



Dimensions (in mm):

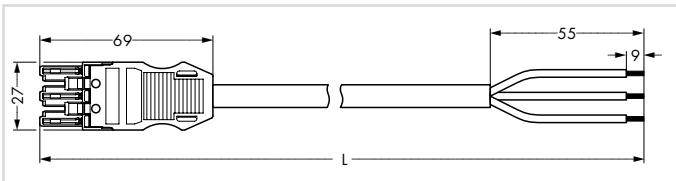


Interconnecting cable, socket – plug, PVC, B-coding

Length	○ gray	● light green	● pink	Pack. Unit
1 m	771-9993/006-103	771-9993/006-105	771-9993/006-107	1
2 m	771-9993/006-203	771-9993/006-205	771-9993/006-207	1
3 m	771-9993/006-303	771-9993/006-305	771-9993/006-307	1
4 m	771-9993/006-403	771-9993/006-405	771-9993/006-407	1
5 m	771-9993/006-503	771-9993/006-505	771-9993/006-507	1
6 m	771-9993/006-603	771-9993/006-605	771-9993/006-607	1
7 m	771-9993/006-703	771-9993/006-705	771-9993/006-707	1
8 m	771-9993/006-803	771-9993/006-805	771-9993/006-807	1



Dimensions (in mm):

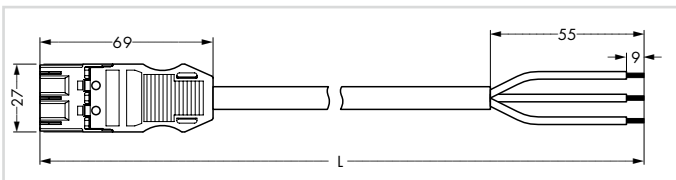


Connecting cable, socket – free end, PVC, B-coding

Length	○ gray	● light green	● pink	Pack. Unit
1 m	771-9993/106-103	771-9993/106-105	771-9993/106-107	1
2 m	771-9993/106-203	771-9993/106-205	771-9993/106-207	1
3 m	771-9993/106-303	771-9993/106-305	771-9993/106-307	1
4 m	771-9993/106-403	771-9993/106-405	771-9993/106-407	1
5 m	771-9993/106-503	771-9993/106-505	771-9993/106-507	1
6 m	771-9993/106-603	771-9993/106-605	771-9993/106-607	1
7 m	771-9993/106-703	771-9993/106-705	771-9993/106-707	1
8 m	771-9993/106-803	771-9993/106-805	771-9993/106-807	1



Dimensions (in mm):



Connecting cable, plug – free end, PVC, B-coding

Length	○ gray	● light green	● pink	Pack. Unit
1 m	771-9993/206-103	771-9993/206-105	771-9993/206-107	1
2 m	771-9993/206-203	771-9993/206-205	771-9993/206-207	1
3 m	771-9993/206-303	771-9993/206-305	771-9993/206-307	1
4 m	771-9993/206-403	771-9993/206-405	771-9993/206-407	1
5 m	771-9993/206-503	771-9993/206-505	771-9993/206-507	1
6 m	771-9993/206-603	771-9993/206-605	771-9993/206-607	1
7 m	771-9993/206-703	771-9993/206-705	771-9993/206-707	1
8 m	771-9993/206-803	771-9993/206-805	771-9993/206-807	1

Coding	Marking	Color
B	1 2 3	○ gray
B	1 2 3	● light green
B	1 2 3	● pink

# WINSTA® MIDI special Sockets and Plugs, 4-Pole 770 Series

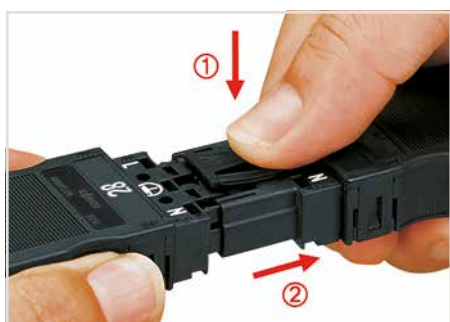


Snap on locking lever – observe direction (picture shows 3-pole plug).

Conductor range, solid and fine-stranded	0.5 ... 4 mm <sup>2</sup> / 20 ... 12 AWG
Conductor range, stranded	0.5 ... 2.5 mm <sup>2</sup> / 20 ... 14 AWG
Rated voltage	400 V
Rated current	25 A (restrictions, see page 212)
Strip length	9 mm / 0.35 inch



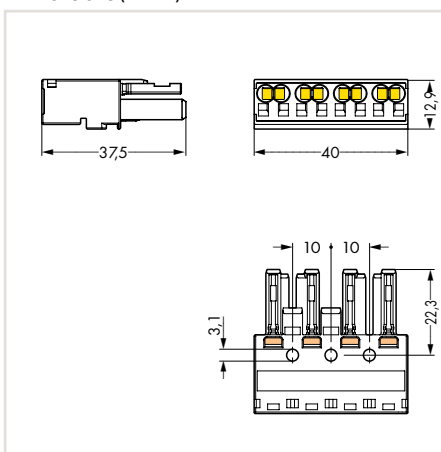
4



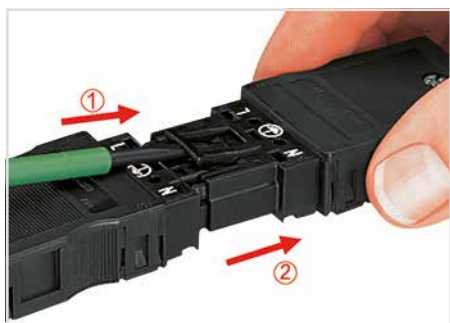
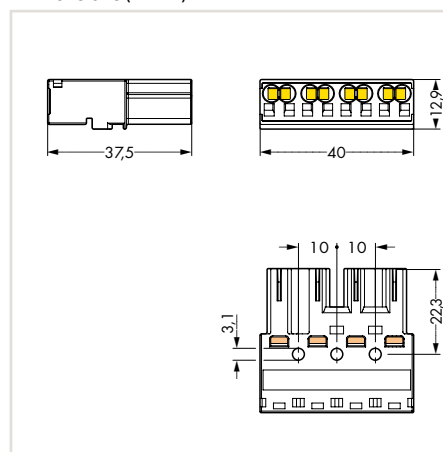
Locking lever, manually operated (picture shows 3-pole connectors):

- Push on locking lever
- Pull the connectors apart

Dimensions (in mm):



Dimensions (in mm):



Locking lever, tool operated (picture shows 3-pole connectors):

- Unlatch locking lever
- Pull the connectors apart

Socket, without strain relief housing		
Color	Item No.	Pack. Unit
○ gray	770-244	50
○ gray	770-244/060-000	50
○ gray	770-244/062-000	50
○ gray	770-244/064-000	50
● light green	770-264	50
● light green	770-264/071-000	50
● light green	770-264/072-000	50
● light green	770-264/073-000	50
● pink	770-284	50
● pink	770-284/081-000	50

Plug, without strain relief housing		
Color	Item No.	Pack. Unit
○ gray	770-254	50
○ gray	770-254/060-000	50
○ gray	770-254/062-000	50
○ gray	770-254/064-000	50
● light green	770-274	50
● light green	770-274/071-000	50
● light green	770-274/072-000	50
● light green	770-274/073-000	50
● pink	770-294	50
● pink	770-294/081-000	50

Additional pole markings available upon request.

**Note:**

All connectors for fixed installations (snap-in versions for lighting fixtures or devices, all types of PCB and distribution connectors) are factory-equipped with locking levers to ensure plugs and sockets are securely locked. Additional locking levers are only required for "flying leads" (plug/ socket).

770 Series Accessories, see page 355

Approvals, see www.wago.com

Coding overview, see page 374

Coding	Marking	Suffix No.	Color
B	1 2 3 4		○ gray
B	N ⊕ 2L 1L	/060-000	○ gray
B	3 PE 2 1	/062-000	○ gray
B	2L ⊕ 1L L	/064-000	○ gray
B	1 2 3 4		● light green
B	U- S U+ X/Y	/071-000	● light green
B	U- U+ DI AI	/072-000	● light green
B	1 ⊕ 2 3	/073-000	● light green
B	1 2 3 4		● pink
B	1 2 5 3	/081-000	● pink



## WINSTA® MIDI special Strain Relief Housings for Different Cable Diameters, 4-Pole 770 Series

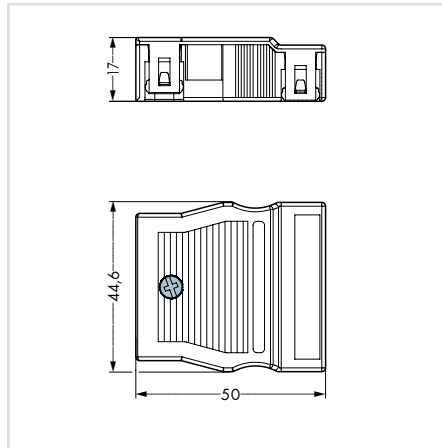


Snap-on type strain relief housings for:

- 4-pole sockets
- 4-pole plugs



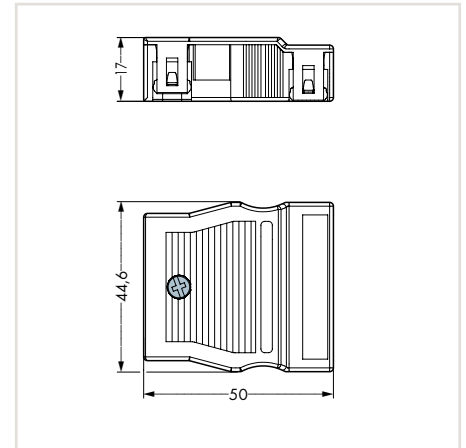
Dimensions (in mm):



Strain relief housing,  
for two cables, for 5 ... 9 mm cable diameter,  
55 mm strip length

Color	Item No.	Pack. Unit
black	770-504/023-000	50
white	770-514/023-000	50

Dimensions (in mm):





Strain relief housing,  
for two cables, for 9 ... 13 mm cable diameter,  
55 mm strip length

Color	Item No.	Pack. Unit
black	770-504	50
white	770-514	50

4

All strain relief housings are suitable for H05VV  
and NYM cables.  
Other cables are available upon request.

 Marking strips,  
see page 369

 Approvals,  
see [www.wago.com](http://www.wago.com)

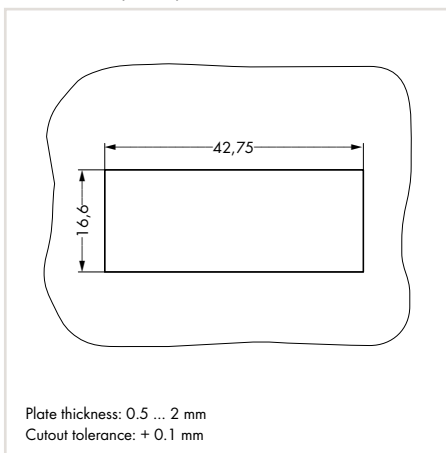
# WINSTA® MIDI special Snap-In Sockets and Plugs, 4-Pole 770 Series

Conductor range, solid and fine-stranded	0.5 ... 4 mm <sup>2</sup> / 20 ... 12 AWG
Conductor range, stranded	0.5 ... 2.5 mm <sup>2</sup> / 20 ... 14 AWG
Rated voltage	400 V
Rated current	25 A (restrictions, see page 212)
Strip length	9 mm / 0.35 inch

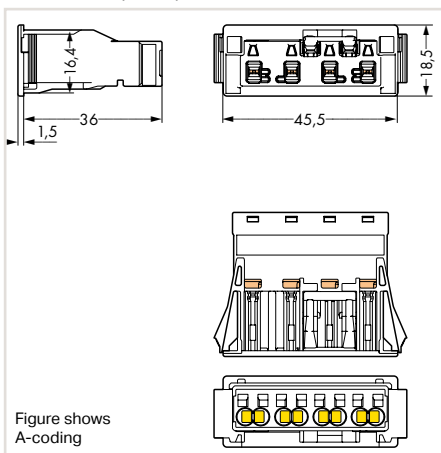


4

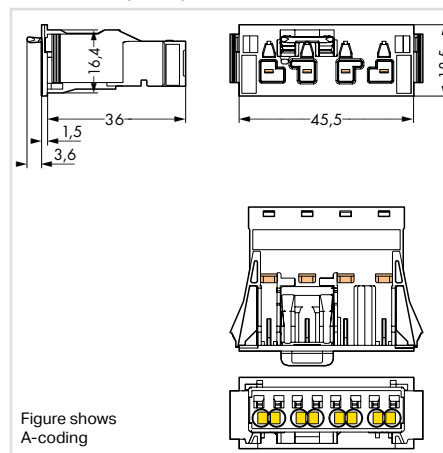
Dimensions (in mm):



Dimensions (in mm):



Dimensions (in mm):



Socket		
Color	Item No.	Pack. Unit
gray	770-744	50
gray	770-744/060-000	50
gray	770-744/062-000	50
gray	770-744/064-000	50
light green	770-764	50
light green	770-764/071-000	50
light green	770-764/072-000	50
light green	770-764/073-000	50
pink	770-784	50
pink	770-784/081-000	50

Plugs		
Color	Item No.	Pack. Unit
gray	770-754	50
gray	770-754/060-000	50
gray	770-754/062-000	50
gray	770-754/064-000	50
light green	770-774	50
light green	770-774/071-000	50
light green	770-774/072-000	50
light green	770-774/073-000	50
pink	770-794	50
pink	770-794/081-000	50

Additional pole markings available upon request.

**Note:**

All connectors for fixed installations (snap-in versions for lighting fixtures or devices, all types of PCB and distribution connectors) are factory-equipped with locking levers to ensure plugs and sockets are securely locked. Additional locking levers are only required for "flying leads" (plug/socket).

770 Series Accessories, see page 355

Approvals, see www.wago.com

Coding overview, see page 374

Coding	Marking	Suffix No.	Color
B	1 2 3 4		gray
B	N ⊕ 2L 1L	/060-000	gray
B	3 PE 2 1	/062-000	gray
B	2L ⊕ 1L L	/064-000	gray
B	1 2 3 4		light green
B	U- S U+ X/Y	/071-000	light green
B	U- U+ DI AI	/072-000	light green
B	1 ⊕ 2 3	/073-000	light green
B	1 2 3 4		pink
B	1 2 5 3	/081-000	pink



# WINSTA® MIDI special

## Pluggable PCB Connectors, 4-Pole

### 770 Series

Rated voltage

400 V

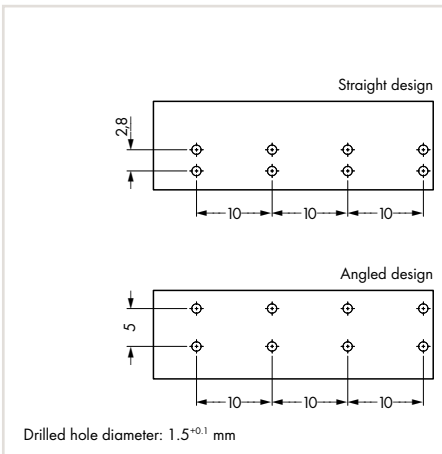
Rated current

25 A (restrictions, see page 212)

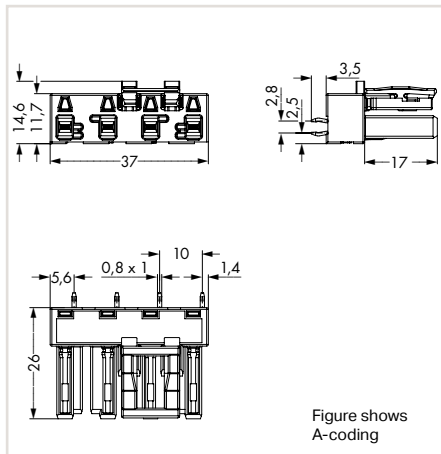


4

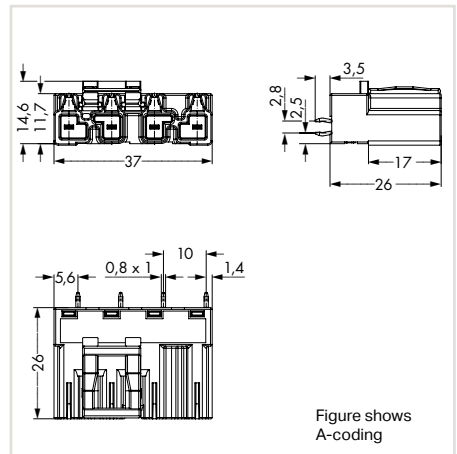
Dimensions (in mm):



Dimensions (in mm):



Dimensions (in mm):



#### Socket, straight

Color	Item No.	Pack. Unit
gray	770-844	100
light green	770-864	100
pink	770-884	100

#### Plug, straight

Color	Item No.	Pack. Unit
gray	770-854	100
light green	770-874	100
pink	770-894	100

Additional pole markings available upon request.

770 Series Accessories, see page 355

Approvals, see www.wago.com

Coding overview, see page 374

Coding

B

B

B

Marking

1 2 3 4

1 2 3 4

1 2 3 4

Color

gray

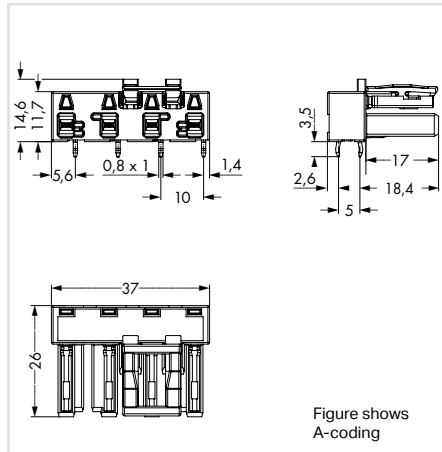
light green

pink

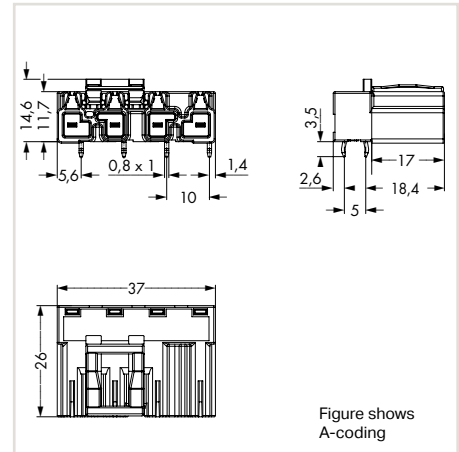
Rated voltage	400 V
Rated current	25 A (restrictions, see page 212)



Dimensions (in mm):



Dimensions (in mm):



Socket, straight		
Color	Item No.	Pack. Unit
● gray	770-844/011-000	100
● light green	770-864/011-000	100
● pink	770-884/011-000	100

Plug, straight		
Color	Item No.	Pack. Unit
● gray	770-854/011-000	100
● light green	770-874/011-000	100
● pink	770-894/011-000	100

Coding	Marking	Color
B	1 2 3 4	● gray
B	1 2 3 4	● light green
B	1 2 3 4	● pink

4

# WINSTA® MIDI special

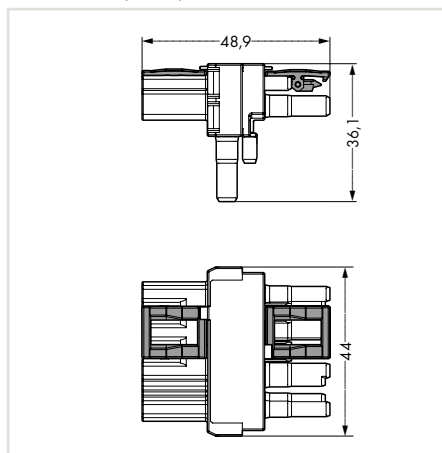
## T-Distribution Connectors, 4-Pole

### 770 Series

Rated voltage	400 V
Rated current	25 A (restrictions, see page 212)



Dimensions (in mm):



T-distribution connector,  
1 x plug/2 x socket

Color	Item No.	Pack. Unit
○ gray	770-1631	50
● light green	770-1632	50
● pink	770-1633	50

T-distribution connector,  
1 x plug/2 x socket,  
for "flying leads,"  
with 3rd locking lever

Color	Item No.	Pack. Unit
○ gray	770-1731	50
● light green	770-1732	50
● pink	770-1733	50

Additional pole markings available upon request.

- 770 Series Accessories, see page 355
- Approvals, see www.wago.com
- Coding overview, see page 374

Coding	Marking	Color
B	1 2 3 4	○ gray
B	1 2 3 4	● light green
B	1 2 3 4	● pink

4

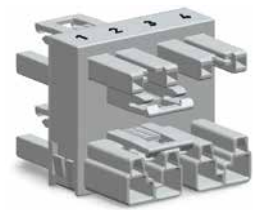
# WINSTA® MIDI special

## Distribution Connectors, 4-Pole

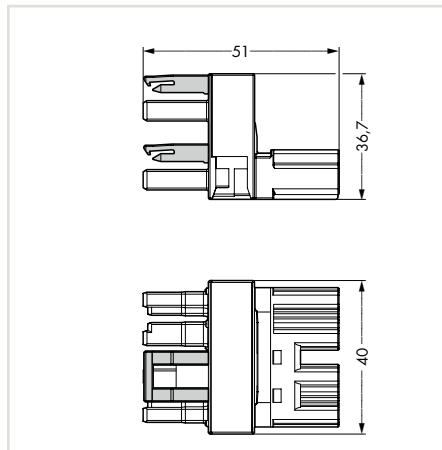
### 770 Series

Rated voltage	400 V
Rated current	25 A (restrictions, see page 212)

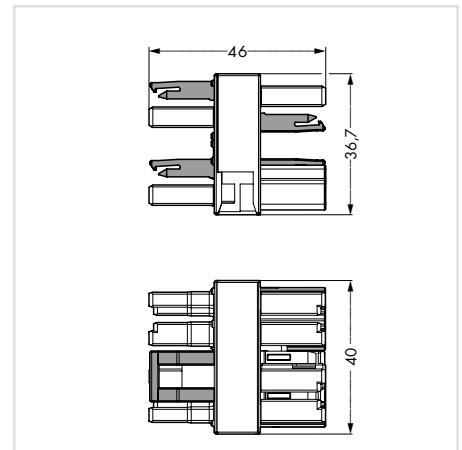
Rated voltage	400 V
Rated current	25 A (restrictions, see page 212)



Dimensions (in mm):



Dimensions (in mm):



**h-distribution connector, unidirectional, plug/socket – socket**

Color	Item No.	Pack. Unit
○ gray	770-1681	50
● light green	770-1682	50
● pink	770-1683	50

**Distribution connector, 3-way, 1 x plug/3 x socket**

Color	Item No.	Pack. Unit
○ gray	770-1734	50
● light green	770-1735	50
● pink	770-1736	50

**h-distribution connector, unidirectional, plug/socket – socket, for "flying leads," with 3rd locking lever**

Color	Item No.	Pack. Unit
○ gray	770-1781	50
● light green	770-1782	50
● pink	770-1783	50

Coding	Marking	Color
B	1 2 3 4	○ gray
B	1 2 3 4	● light green
B	1 2 3 4	● pink

# WINSTA® MIDI special

## Cable Assemblies 4 x 1 mm<sup>2</sup>, PVC

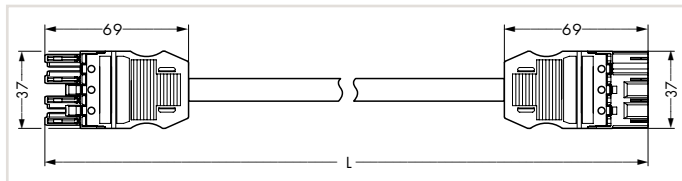
### 771 Series

PVC Control line: 4 x 1, gray

Rated voltage	400 V
Rated current	10 A
Strip length	9 mm / 0.35 inch
Conductor preparation	tip-bonded



Dimensions (in mm):



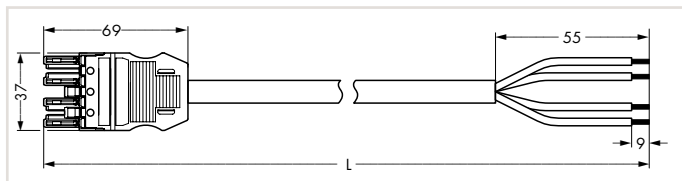
Interconnecting cable, socket – plug, PVC, B-coding

Length	○ gray	● light green	● pink	Pack. Unit
1 m	771-9994/005-103	771-9994/005-105	771-9994/005-107	1
2 m	771-9994/005-203	771-9994/005-205	771-9994/005-207	1
3 m	771-9994/005-303	771-9994/005-305	771-9994/005-307	1
4 m	771-9994/005-403	771-9994/005-405	771-9994/005-407	1
5 m	771-9994/005-503	771-9994/005-505	771-9994/005-507	1
6 m	771-9994/005-603	771-9994/005-605	771-9994/005-607	1
7 m	771-9994/005-703	771-9994/005-705	771-9994/005-707	1
8 m	771-9994/005-803	771-9994/005-805	771-9994/005-807	1

4



Dimensions (in mm):

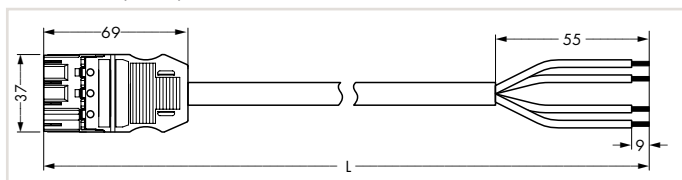


Connecting cable, socket – free end, PVC, B-coding

Length	○ gray	● light green	● pink	Pack. Unit
1 m	771-9994/105-103	771-9994/105-105	771-9994/105-107	1
2 m	771-9994/105-203	771-9994/105-205	771-9994/105-207	1
3 m	771-9994/105-303	771-9994/105-305	771-9994/105-307	1
4 m	771-9994/105-403	771-9994/105-405	771-9994/105-407	1
5 m	771-9994/105-503	771-9994/105-505	771-9994/105-507	1
6 m	771-9994/105-603	771-9994/105-605	771-9994/105-607	1
7 m	771-9994/105-703	771-9994/105-705	771-9994/105-707	1
8 m	771-9994/105-803	771-9994/105-805	771-9994/105-807	1



Dimensions (in mm):



Connecting cable, plug – free end, PVC, B-coding

Length	○ gray	● light green	● pink	Pack. Unit
1 m	771-9994/205-103	771-9994/205-105	771-9994/205-107	1
2 m	771-9994/205-203	771-9994/205-205	771-9994/205-207	1
3 m	771-9994/205-303	771-9994/205-305	771-9994/205-307	1
4 m	771-9994/205-403	771-9994/205-405	771-9994/205-407	1
5 m	771-9994/205-503	771-9994/205-505	771-9994/205-507	1
6 m	771-9994/205-603	771-9994/205-605	771-9994/205-607	1
7 m	771-9994/205-703	771-9994/205-705	771-9994/205-707	1
8 m	771-9994/205-803	771-9994/205-805	771-9994/205-807	1

Additional cable lengths available upon request.

- 771 Series Accessories, see page 355
- Approvals, see www.wago.com
- Codings, see page 374

Coding	Marking	Color
B	1 2 3 4	○ gray
B	1 2 3 4	● light green
B	1 2 3 4	● pink



# WINSTA® MINI special

## Cable Assemblies 4 x 1.5 mm<sup>2</sup>, PVC

### 771 Series

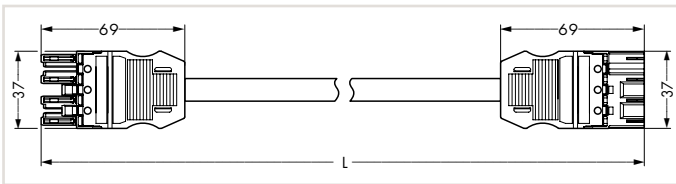
PVC

Control line: 4 x 1.5, gray

Rated voltage	400 V
Rated current	16 A
Strip length	9 mm / 0.35 inch
Conductor preparation	tip-bonded



Dimensions (in mm):

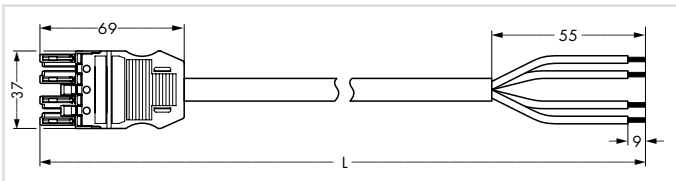


Interconnecting cable, socket – plug, PVC, B-coding

Length	○ gray	● light green	● pink	Pack. Unit
1 m	771-9994/006-103	771-9994/006-105	771-9994/006-107	1
2 m	771-9994/006-203	771-9994/006-205	771-9994/006-207	1
3 m	771-9994/006-303	771-9994/006-305	771-9994/006-307	1
4 m	771-9994/006-403	771-9994/006-405	771-9994/006-407	1
5 m	771-9994/006-503	771-9994/006-505	771-9994/006-507	1
6 m	771-9994/006-603	771-9994/006-605	771-9994/006-607	1
7 m	771-9994/006-703	771-9994/006-705	771-9994/006-707	1
8 m	771-9994/006-803	771-9994/006-805	771-9994/006-807	1



Dimensions (in mm):

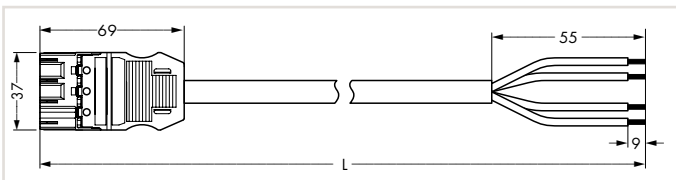


Connecting cable, socket – free end, PVC, B-coding

Length	○ gray	● light green	● pink	Pack. Unit
1 m	771-9994/106-103	771-9994/106-105	771-9994/106-107	1
2 m	771-9994/106-203	771-9994/106-205	771-9994/106-207	1
3 m	771-9994/106-303	771-9994/106-305	771-9994/106-307	1
4 m	771-9994/106-403	771-9994/106-405	771-9994/106-407	1
5 m	771-9994/106-503	771-9994/106-505	771-9994/106-507	1
6 m	771-9994/106-603	771-9994/106-605	771-9994/106-607	1
7 m	771-9994/106-703	771-9994/106-705	771-9994/106-707	1
8 m	771-9994/106-803	771-9994/106-805	771-9994/106-807	1



Dimensions (in mm):



Connecting cable, plug – free end, PVC, B-coding

Length	○ gray	● light green	● pink	Pack. Unit
1 m	771-9994/206-103	771-9994/206-105	771-9994/206-107	1
2 m	771-9994/206-203	771-9994/206-205	771-9994/206-207	1
3 m	771-9994/206-303	771-9994/206-305	771-9994/206-307	1
4 m	771-9994/206-403	771-9994/206-405	771-9994/206-407	1
5 m	771-9994/206-503	771-9994/206-505	771-9994/206-507	1
6 m	771-9994/206-603	771-9994/206-605	771-9994/206-607	1
7 m	771-9994/206-703	771-9994/206-705	771-9994/206-707	1
8 m	771-9994/206-803	771-9994/206-805	771-9994/206-807	1

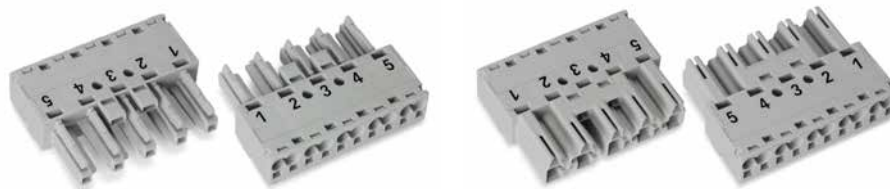
Coding	Marking	Color
B	1 2 3 4	○ gray
B	1 2 3 4	● light green
B	1 2 3 4	● pink

# WINSTA® MIDI special Sockets and Plugs, 5-Pole 770 Series

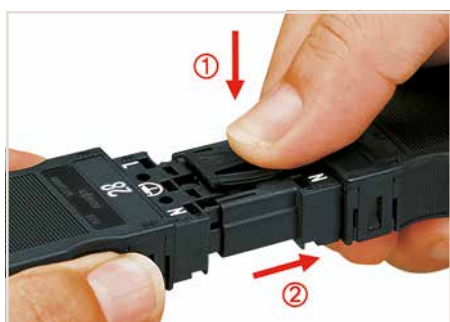


Snap on locking lever – observe direction (picture shows 3-pole plug).

Conductor range, solid and fine-stranded	0.5 ... 4 mm <sup>2</sup> / 20 ... 12 AWG
Conductor range, stranded	0.5 ... 2.5 mm <sup>2</sup> / 20 ... 14 AWG
Rated voltage	400 V
Rated current	25 A (restrictions, see page 212)
Strip length	9 mm / 0.35 inch



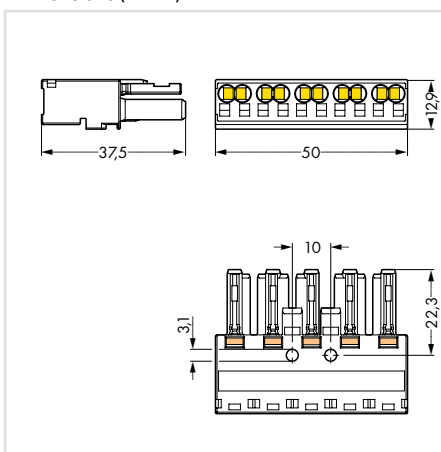
4



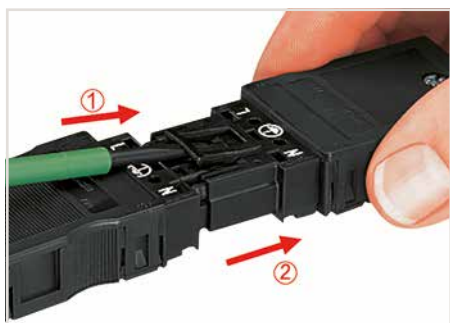
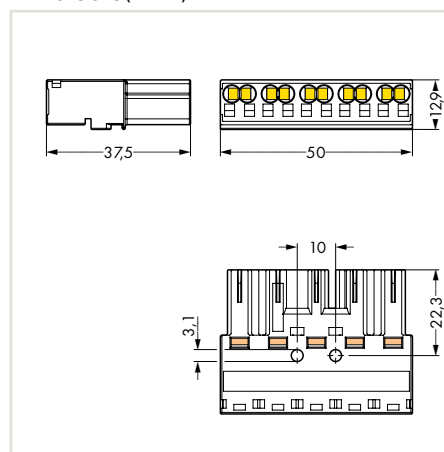
Locking lever, manually operated (picture shows 3-pole connectors):

- Push on locking lever
- Pull the connectors apart

Dimensions (in mm):



Dimensions (in mm):



Locking lever, tool operated (picture shows 3-pole connectors):

- Unlatch locking lever
- Pull the connectors apart

Socket, without strain relief housing		
Color	Item No.	Pack. Unit
○ gray	770-245	50
○ gray	770-245/060-000	50
○ gray	770-245/062-000	50
○ gray	770-245/064-000	50
● light green	770-265	50
● light green	770-265/073-000	50
● pink	770-285	50
● pink	770-285/080-000	50
● pink	770-285/082-000	50

Plug, without strain relief housing		
Color	Item No.	Pack. Unit
○ gray	770-255	50
○ gray	770-255/060-000	50
○ gray	770-255/062-000	50
○ gray	770-255/064-000	50
● light green	770-275	50
● light green	770-275/073-000	50
● pink	770-295	50
● pink	770-295/080-000	50
● pink	770-295/082-000	50

Additional pole markings available upon request.

**Note:**

All connectors for fixed installations (snap-in versions for lighting fixtures or devices, all types of PCB and distribution connectors) are factory-equipped with locking levers to ensure plugs and sockets are securely locked. Additional locking levers are only required for "flying leads" (plug/ socket).

770 Series Accessories, see page 355

Approvals, see www.wago.com

Coding overview, see page 374

Coding	Marking	Suffix No.	Color
B	1 2 3 4 5		○ gray
B	N ⊕ L1 L2 L3	/060-000	○ gray
B	N PE 3 2 1	/062-000	○ gray
B	N ⊕ L 2L 1L	/064-000	○ gray
B	1 2 3 4 5		● light green
B	1 ⊕ 2 3 4	/073-000	● light green
B	1 2 3 4 5		● pink
B	N ⊕ L I- I+	/080-000	● pink
B	N ⊕ L - +	/082-000	● pink

## WINSTA® MIDI special Strain Relief Housings for Different Cable Diameters, 5-Pole 770 Series

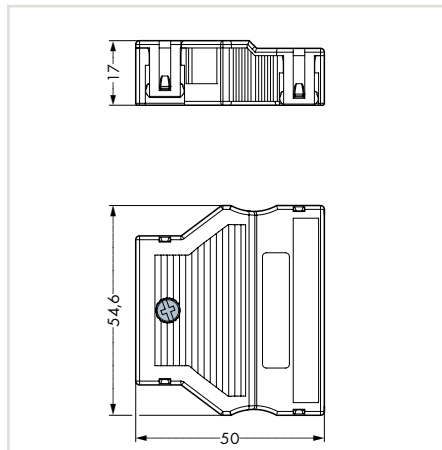


Snap-on type strain relief housings for:

- 5-pole sockets
- 5-pole plugs



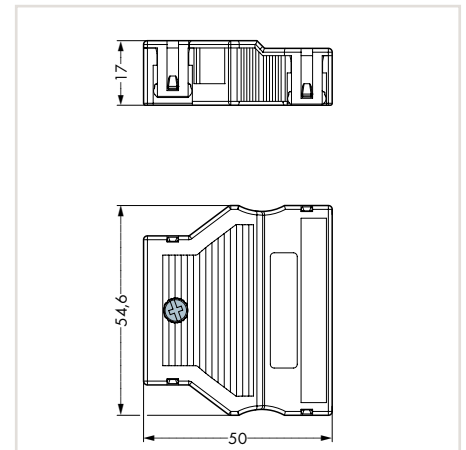
Dimensions (in mm):



Strain relief housing,  
for two cables, for 5 ... 9 mm cable diameter,  
55 mm strip length

Color	Item No.	Pack. Unit
black	770-505/023-000	25
white	770-515/023-000	25

Dimensions (in mm):




Strain relief housing,  
for two cables, for 9 ... 13 mm cable diameter,  
55 mm strip length


Color	Item No.	Pack. Unit
black	770-505	25
white	770-515	25


4

All strain relief housings are suitable for H05VV and NYM cables.

Other cables are available upon request.

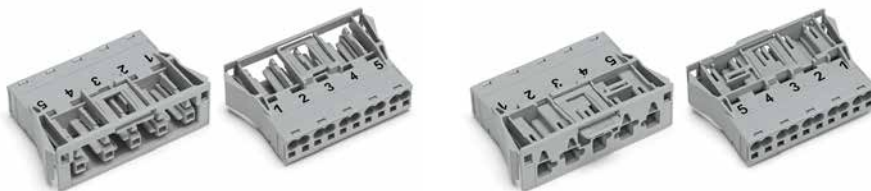
 Marking strips,  
see page 369

 Additional strain relief housings,  
see page 177

 Approvals,  
see [www.wago.com](http://www.wago.com)

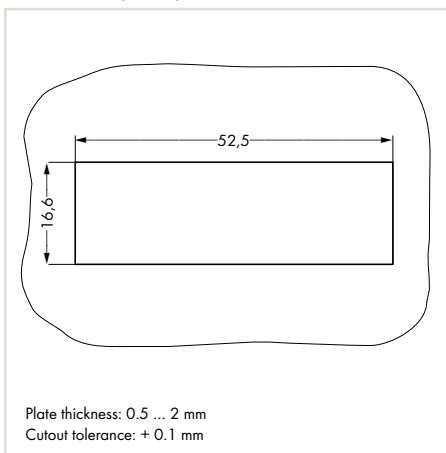
# WINSTA® MIDI special Snap-In Sockets and Plugs, 5-Pole 770 Series

Conductor range, solid and fine-stranded	0.5 ... 4 mm <sup>2</sup> / 20 ... 12 AWG
Conductor range, stranded	0.5 ... 2.5 mm <sup>2</sup> / 20 ... 14 AWG
Rated voltage	400 V
Rated current	25 A (restrictions, see page 212)
Strip length	9 mm / 0.35 inch

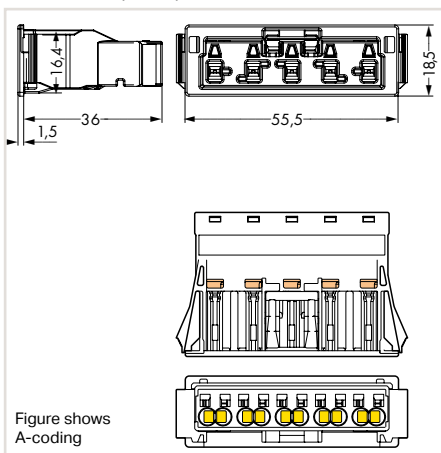


4

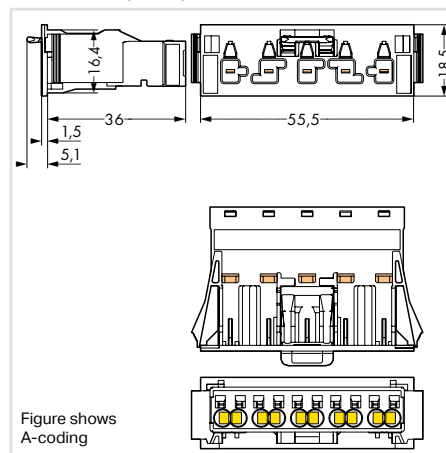
Dimensions (in mm):



Dimensions (in mm):



Dimensions (in mm):



Socket		
Color	Item No.	Pack. Unit
gray	770-745	50
gray	770-745/060-000	50
gray	770-745/062-000	50
gray	770-745/064-000	50
light green	770-765	50
light green	770-765/073-000	50
pink	770-785	50
pink	770-785/080-000	50
pink	770-785/082-000	50

Plugs		
Color	Item No.	Pack. Unit
gray	770-755	50
gray	770-755/060-000	50
gray	770-755/062-000	50
gray	770-755/064-000	50
light green	770-775	50
light green	770-775/073-000	50
pink	770-795	50
pink	770-795/080-000	50
pink	770-795/082-000	50

Additional pole markings available upon request.

**Note:**

All connectors for fixed installations (snap-in versions for lighting fixtures or devices, all types of PCB and distribution connectors) are factory-equipped with locking levers to ensure plugs and sockets are securely locked. Additional locking levers are only required for "flying leads" (plug/socket).

770 Series Accessories, see page 355

Approvals, see www.wago.com

Coding overview, see page 374

Coding	Marking	Suffix No.	Color
B	1 2 3 4 5		gray
B	N ⊕ L1 L2 L3	/060-000	gray
B	N PE 3 2 1	/062-000	gray
B	N ⊕ L 2L 1L	/064-000	gray
B	1 2 3 4 5		light green
B	1 ⊕ 2 3 4	/073-000	light green
B	1 2 3 4 5		pink
B	N ⊕ L I- I+	/080-000	pink
B	N ⊕ L - +	/082-000	pink



# WINSTA® MIDI special

## Pluggable PCB Connectors, 5-Pole

### 770 Series

Rated voltage

400 V

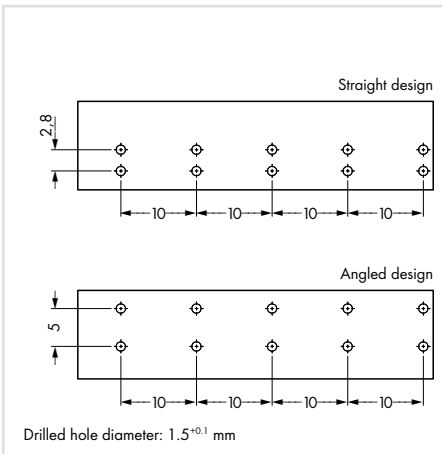
Rated current

25 A (restrictions, see page 212)

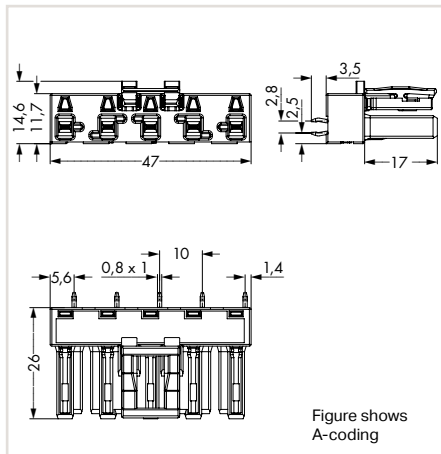


4

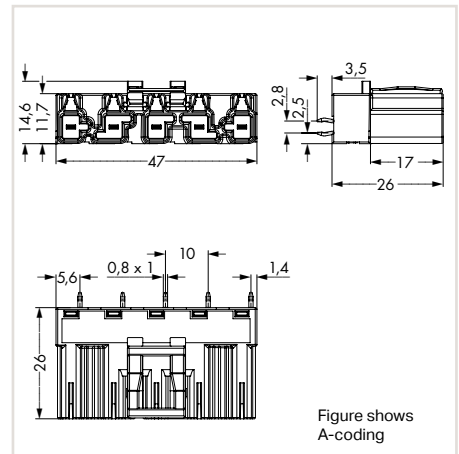
Dimensions (in mm):



Dimensions (in mm):



Dimensions (in mm):



#### Socket, straight

Color	Item No.	Pack. Unit
gray	770-845	100
light green	770-865	100
pink	770-885	100

#### Plug, straight

Color	Item No.	Pack. Unit
gray	770-855	100
light green	770-875	100
pink	770-895	100

Additional pole markings available upon request.

770 Series Accessories, see page 355

Approvals, see www.wago.com

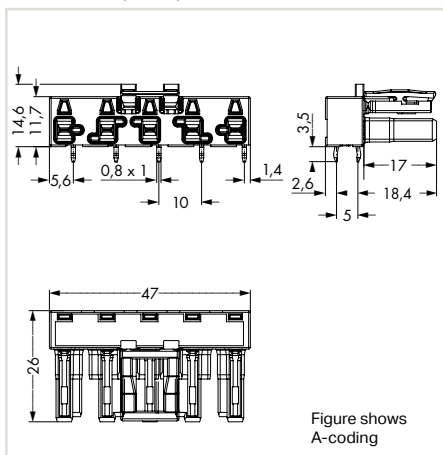
Coding overview, see page 374

Coding	Marking	Color
B	1 2 3 4 5	gray
B	1 2 3 4 5	light green
B	1 2 3 4 5	pink

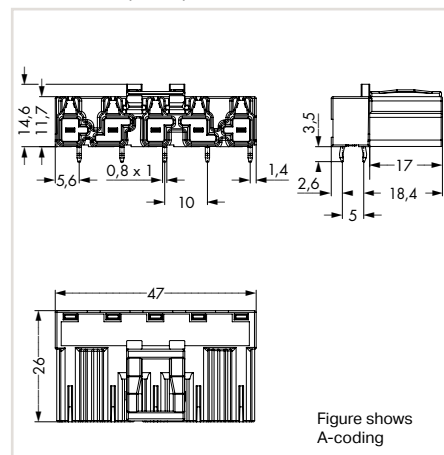
Rated voltage	400 V
Rated current	25 A (restrictions, see page 212)



Dimensions (in mm):



Dimensions (in mm):



Socket, straight		
Color	Item No.	Pack. Unit
● gray	770-845/011-000	100
● light green	770-865/011-000	100
● pink	770-885/011-000	100

Plug, straight		
Color	Item No.	Pack. Unit
● gray	770-855/011-000	100
● light green	770-875/011-000	100
● pink	770-895/011-000	100

Coding	Marking	Color
B	1 2 3 4 5	● gray
B	1 2 3 4 5	● light green
B	1 2 3 4 5	● pink

4

# WINSTA® MIDI special

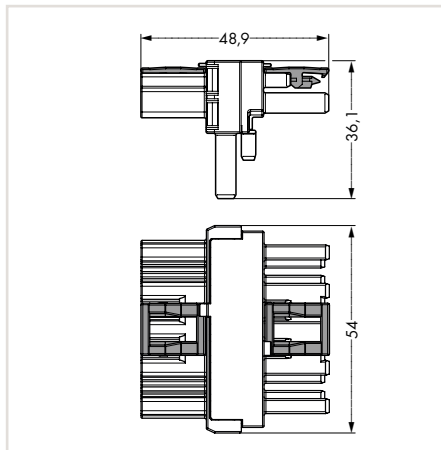
## T-Distribution Connectors, 5-Pole

### 770 Series

Rated voltage	400 V
Rated current	25 A (restrictions, see page 212)



Dimensions (in mm):






T-distribution connector,  
1 x plug/2 x socket

Color	Item No.	Pack. Unit
○ gray	770-1641	50
● light green	770-1642	50
● pink	770-1643	50

T-distribution connector,  
1 x plug/2 x socket,  
for "flying leads,"  
with 3rd locking lever

Color	Item No.	Pack. Unit
○ gray	770-1741	50
● light green	770-1742	50
● pink	770-1743	50

Additional pole markings available upon request.

-  770 Series Accessories, see page 355
-  Approvals, see www.wago.com
-  Coding overview, see page 374

Coding	Marking	Color
B	1 2 3 4 5	○ gray
B	1 2 3 4 5	● light green
B	1 2 3 4 5	● pink



## WINSTA® MIDI special Distribution Connectors, 5-Pole 770 Series

Rated voltage

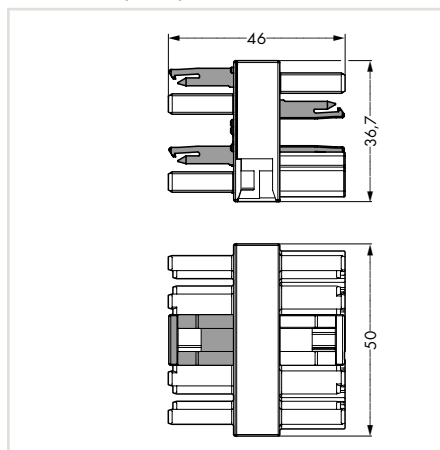
400 V

Rated current

25 A (restrictions, see page 212)



Dimensions (in mm):



Distribution connector, 3-way,  
1 x plug/3 x socket

Color	Item No.	Pack. Unit
○ gray	770-1744	25
● light green	770-1745	25
● pink	770-1746	25

Coding

B

B

B

Marking

1 2 3 4 5

1 2 3 4 5

1 2 3 4 5

Color

○ gray

● light green

● pink

# WINSTA® MIDI special

## Cable Assemblies 5 x 1 mm<sup>2</sup>, PVC

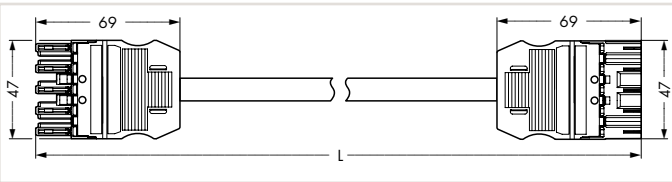
### 771 Series

PVC Control line: 5 x 1, gray

Rated voltage	400 V
Rated current	10 A
Strip length	9 mm / 0.35 inch
Conductor preparation	tip-bonded



Dimensions (in mm):



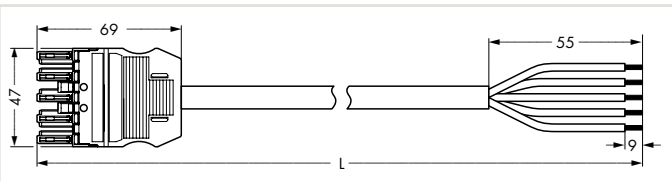
Interconnecting cable, socket – plug, PVC, B-coding

Length	○ gray	● light green	● pink	Pack. Unit
1 m	771-9995/005-103	771-9995/005-105	771-9995/005-107	1
2 m	771-9995/005-203	771-9995/005-205	771-9995/005-207	1
3 m	771-9995/005-303	771-9995/005-305	771-9995/005-307	1
4 m	771-9995/005-403	771-9995/005-405	771-9995/005-407	1
5 m	771-9995/005-503	771-9995/005-505	771-9995/005-507	1
6 m	771-9995/005-603	771-9995/005-605	771-9995/005-607	1
7 m	771-9995/005-703	771-9995/005-705	771-9995/005-707	1
8 m	771-9995/005-803	771-9995/005-805	771-9995/005-807	1

4



Dimensions (in mm):

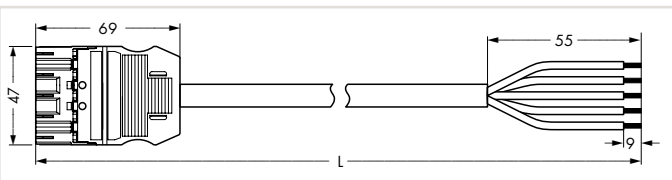


Connecting cable, socket – free end, PVC, B-coding

Length	○ gray	● light green	● pink	Pack. Unit
1 m	771-9995/105-103	771-9995/105-105	771-9995/105-107	1
2 m	771-9995/105-203	771-9995/105-205	771-9995/105-207	1
3 m	771-9995/105-303	771-9995/105-305	771-9995/105-307	1
4 m	771-9995/105-403	771-9995/105-405	771-9995/105-407	1
5 m	771-9995/105-503	771-9995/105-505	771-9995/105-507	1
6 m	771-9995/105-603	771-9995/105-605	771-9995/105-607	1
7 m	771-9995/105-703	771-9995/105-705	771-9995/105-707	1
8 m	771-9995/105-803	771-9995/105-805	771-9995/105-807	1



Dimensions (in mm):



Connecting cable, plug – free end, PVC, B-coding

Length	○ gray	● light green	● pink	Pack. Unit
1 m	771-9995/205-103	771-9995/205-105	771-9995/205-107	1
2 m	771-9995/205-203	771-9995/205-205	771-9995/205-207	1
3 m	771-9995/205-303	771-9995/205-305	771-9995/205-307	1
4 m	771-9995/205-403	771-9995/205-405	771-9995/205-407	1
5 m	771-9995/205-503	771-9995/205-505	771-9995/205-507	1
6 m	771-9995/205-603	771-9995/205-605	771-9995/205-607	1
7 m	771-9995/205-703	771-9995/205-705	771-9995/205-707	1
8 m	771-9995/205-803	771-9995/205-805	771-9995/205-807	1

Additional cable lengths available upon request.

771 Series Accessories, see page 355

Approvals, see www.wago.com

Codings, see page 374

Coding

B

B

B

Marking

1 2 3 4 5

1 2 3 4 5

1 2 3 4 5

Color

○ gray

● light green

● pink

# WINSTA® MINI special

## Cable Assemblies 5 x 1.5 mm<sup>2</sup>, PVC

### 771 Series

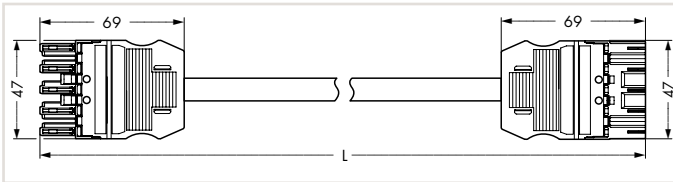
PVC

Control line: 5 x 1.5, gray

Rated voltage	400 V
Rated current	16 A
Strip length	9 mm / 0.35 inch
Conductor preparation	tip-bonded



Dimensions (in mm):

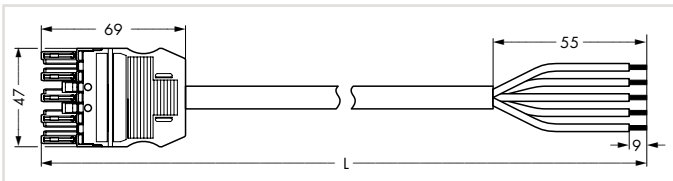


Interconnecting cable, socket – plug, PVC, B-coding

Length	○ gray	● light green	● pink	Pack. Unit
1 m	771-9995/006-103	771-9995/006-105	771-9995/006-107	1
2 m	771-9995/006-203	771-9995/006-205	771-9995/006-207	1
3 m	771-9995/006-303	771-9995/006-305	771-9995/006-307	1
4 m	771-9995/006-403	771-9995/006-405	771-9995/006-407	1
5 m	771-9995/006-503	771-9995/006-505	771-9995/006-507	1
6 m	771-9995/006-603	771-9995/006-605	771-9995/006-607	1
7 m	771-9995/006-703	771-9995/006-705	771-9995/006-707	1
8 m	771-9995/006-803	771-9995/006-805	771-9995/006-807	1



Dimensions (in mm):

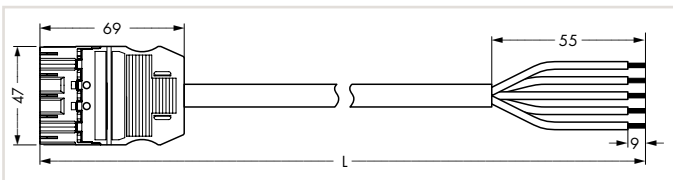


Connecting cable, socket – free end, PVC, B-coding

Length	○ gray	● light green	● pink	Pack. Unit
1 m	771-9995/106-103	771-9995/106-105	771-9995/106-107	1
2 m	771-9995/106-203	771-9995/106-205	771-9995/106-207	1
3 m	771-9995/106-303	771-9995/106-305	771-9995/106-307	1
4 m	771-9995/106-403	771-9995/106-405	771-9995/106-407	1
5 m	771-9995/106-503	771-9995/106-505	771-9995/106-507	1
6 m	771-9995/106-603	771-9995/106-605	771-9995/106-607	1
7 m	771-9995/106-703	771-9995/106-705	771-9995/106-707	1
8 m	771-9995/106-803	771-9995/106-805	771-9995/106-807	1



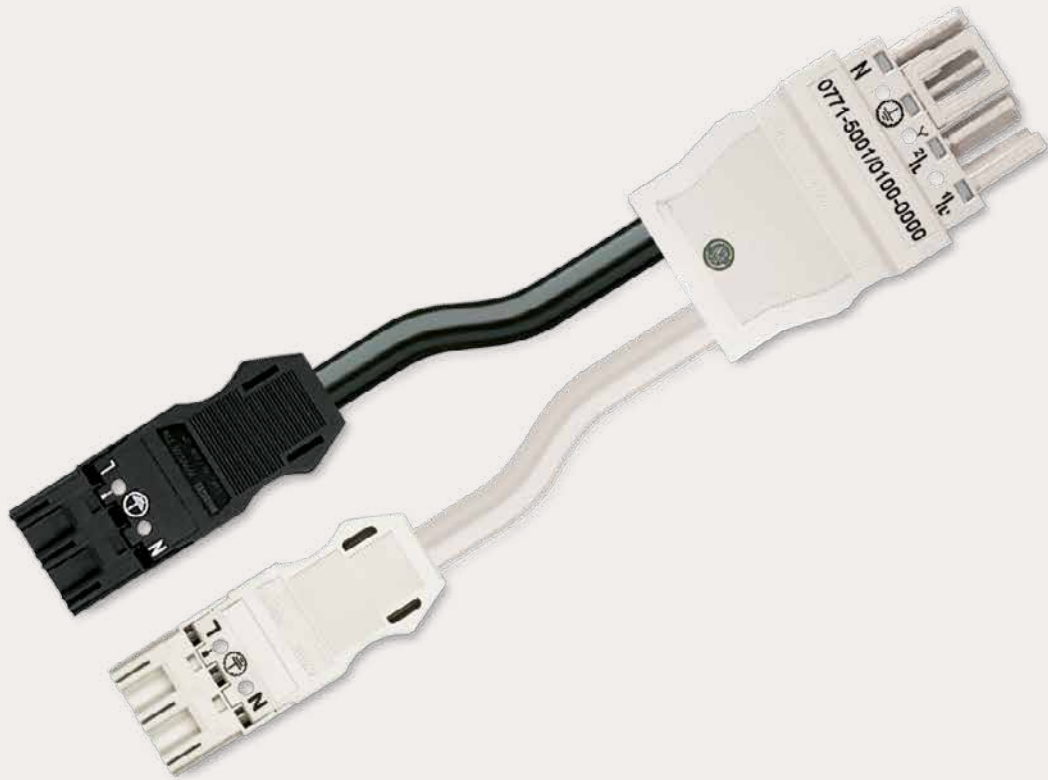
Dimensions (in mm):



Connecting cable, plug – free end, PVC, B-coding





Length	○ gray	● light green	● pink	Pack. Unit
1 m	771-9995/206-103	771-9995/206-105	771-9995/206-107	1
2 m	771-9995/206-203	771-9995/206-205	771-9995/206-207	1
3 m	771-9995/206-303	771-9995/206-305	771-9995/206-307	1
4 m	771-9995/206-403	771-9995/206-405	771-9995/206-407	1
5 m	771-9995/206-503	771-9995/206-505	771-9995/206-507	1
6 m	771-9995/206-603	771-9995/206-605	771-9995/206-607	1
7 m	771-9995/206-703	771-9995/206-705	771-9995/206-707	1
8 m	771-9995/206-803	771-9995/206-805	771-9995/206-807	1

Coding	Marking	Color
B	1 2 3 4 5	○ gray
B	1 2 3 4 5	● light green
B	1 2 3 4 5	● pink



**WINSTA<sup>®</sup> – Specialty Cable Assemblies**

**WINSTA® – Cable Assemblies for Specialty Applications****2.5 mm<sup>2</sup> / 20 A****771 Series**

		Page
	<b>771 Series</b>	
	Plug – Lamp Socket	254
	Plug – Cold Equipment Socket	254
	Socket – SCHUKO® Plug	255
	Plug – SCHUKO® Socket	255
	<b>771 Series</b>	
	Connecting Cable for Distribution Connectors Y-Cable	256 257
	<b>771 Series</b> Adapter Cable for DALI	258
	<b>771 Series</b> Y-Cable for DALI	259

# WINSTA® MIDI

## Cable Assemblies 2 x 0.75 mm<sup>2</sup>, PVC

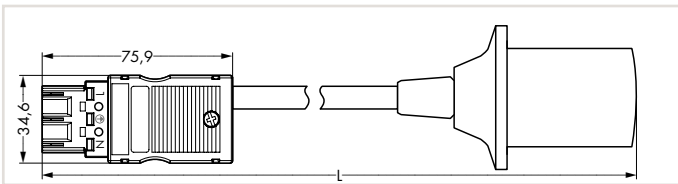
### 771 Series

PVC	H03VVH2-F 2x0.75 ①
	H05VV-F 3G1.0 ②

Rated voltage	250 V
Rated current (0.75 mm <sup>2</sup> ) ①	4 A
Rated current (1 mm <sup>2</sup> ) ②	10 A



Dimensions (in mm):

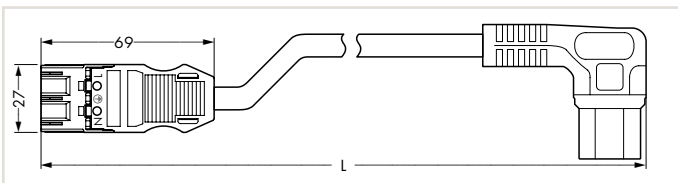


Cable ①, plug – E 27 lamp socket, PVC, A-coding		
Length	● black	Pack. Unit
0.5 m	771-8993/1004-051	1

5



Dimensions (in mm):



Interconnecting cable ②, socket – cold equipment socket, angled, PVC, A-coding			
Length	● black	○ white	Pack. Unit
1 m	771-9993/805-101	771-9993/805-102	1
2 m	771-9993/805-201	771-9993/805-202	1
3 m	771-9993/805-301	771-9993/805-302	1

Additional cable lengths available upon request.

771 Series Accessories, see page 355

Approvals, see www.wago.com

Codings, see page 372

Coding	Marking	Color
A	L ⊕ N	● black
A	L ⊕ N	○ white

# WINSTA® MIDI

## Cable Assemblies 3 x 1.5 mm<sup>2</sup>, PVC

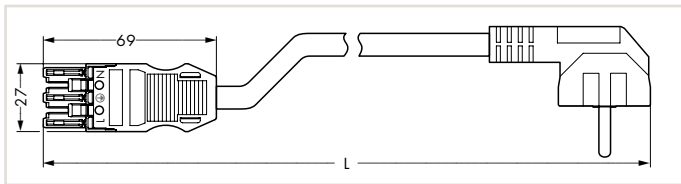
### 771 Series

PVC	H05VV-F 3G1.5 <sup>3</sup>
	H05VV-F 3G2.5 <sup>4</sup>

Rated voltage	250 V
Rated current (1.5 mm <sup>2</sup> ) <sup>3</sup>	16 A
Rated current (2.5 mm <sup>2</sup> ) <sup>4</sup>	20 A



Dimensions (in mm):

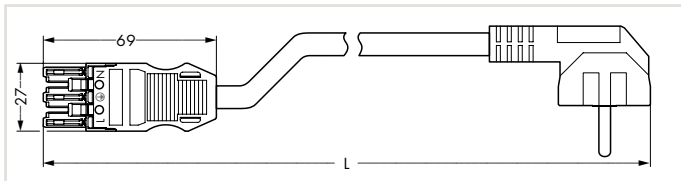


Interconnecting cable <sup>3</sup>, socket – SCHUKO® Plug, angled, PVC, A-coding

Length	● black	○ white	Pack. Unit
1 m	771-9993/306-101	771-9993/306-102	1
2 m	771-9993/306-201	771-9993/306-202	1
3 m	771-9993/306-301	771-9993/306-302	1



Dimensions (in mm):

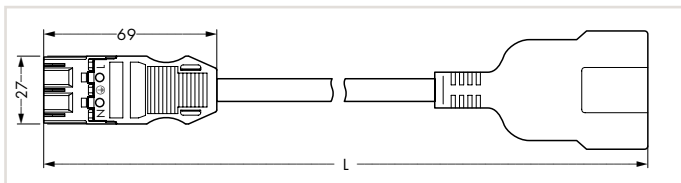


Interconnecting cable <sup>4</sup>, socket – SCHUKO® Plug, angled, PVC, A-coding

Length	● black	○ white	Pack. Unit
1 m	771-9993/307-101	771-9993/307-102	1
2 m	771-9993/307-201	771-9993/307-202	1
3 m	771-9993/307-301	771-9993/307-302	1



Dimensions (in mm):



Interconnecting cable <sup>3</sup>, plug – SCHUKO® Socket, angled, PVC, A-coding

Length	● black	○ white	Pack. Unit
1 m	771-9993/406-101	771-9993/406-102	1
2 m	771-9993/406-201	771-9993/406-202	1
3 m	771-9993/406-301	771-9993/406-302	1

Coding	Marking	Color
A	L ⊕ N	● black
A	L ⊕ N	○ white

# WINSTA® MIDI

## Cable Assemblies, 3 x 1.5 mm<sup>2</sup>

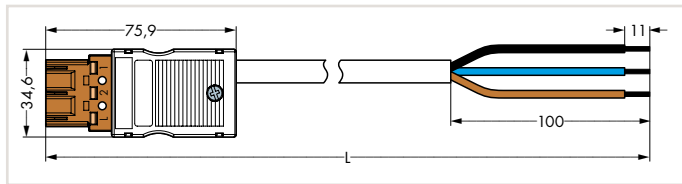
### 771 Series

PVC	H05VV-F 3x1.5
halogen-free	H05Z1Z1-F 3x1.5

Rated voltage	250 V
Rated current	16 A
Strip length	11 mm / 0.43 inch
Conductor preparation	tip-bonded



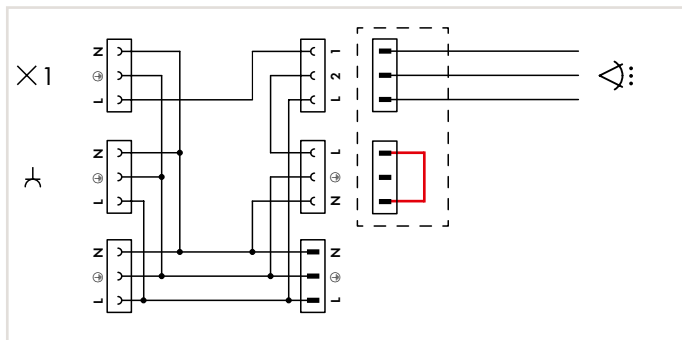
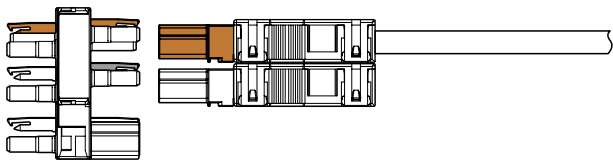
Dimensions (in mm):



Connecting cable, plug/plug – free end, PVC, A+S-coding		
Length	● black	Pack. Unit
3 m	771-5001/106-000	1
4 m	771-5001/107-000	1

Connecting cable, plug/plug – free end, halogen-free, A+S-coding		
Length	● black	Pack. Unit
3 m	771-5001/131-000	1
4 m	771-5001/132-000	1

5



This cable combines a standard S-coded cable with an A-coded shorting plug. Both strain relief housings are locked together. A motion detector or switch with signal lamp can be directly connected using a cable equipped with 770-637 Distribution Connector.

Additional cable lengths available upon request.

- 771 Series Accessories, see page 355
- Approvals, see www.wago.com
- Codings, see page 372

Coding	Marking	Color
A	L ⊕ N	● black
S	L 2 1	● brown



# WINSTA® MIDI

## Cable Assemblies, 3 x 1.5 mm<sup>2</sup>

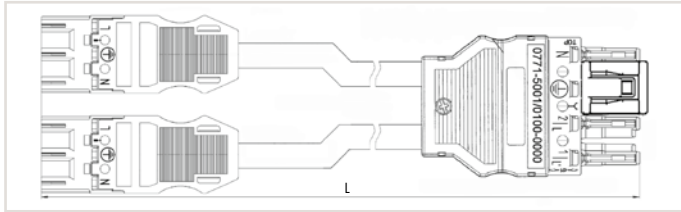
### 771 Series

PVC	H05VV-F 3x1.5
halogen-free	H05Z1Z1-F 3x1.5

Rated voltage	250 V
Rated current	16 A



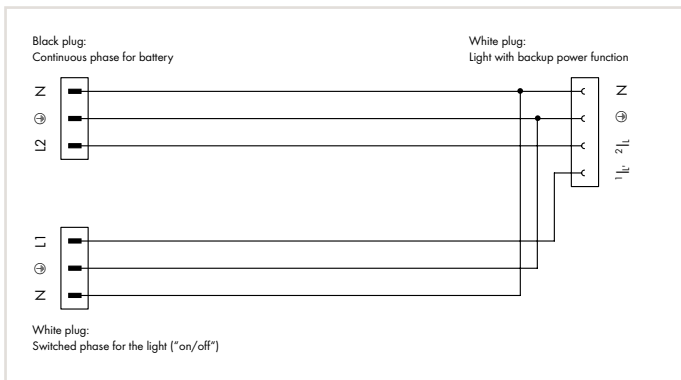
Dimensions (in mm):



Y-cable, 1 x 4-pole, 2 x 3-pole, PVC, A-coding		
Length	● black	Pack. Unit
0.6 m	771-5001/100-000	1

Y-cable, 1 x 4-pole, 2 x 3-pole, halogen-free, A-coding		
Length	● black	Pack. Unit
0.6 m	771-5001/110-000	1

5



This cable connects lights with backup power function (battery pack). The black 3-pole plug connects the continuous phase for the battery, while the white 3-pole plug connects the switched phase for the light ("on/off"). The white 4-pole socket can be directly plugged into the light.

Coding	Marking	Color
A	L ⊕ N	● black
A	L ⊕ N	○ white
A	N ⊕ 2L 1L	○ white

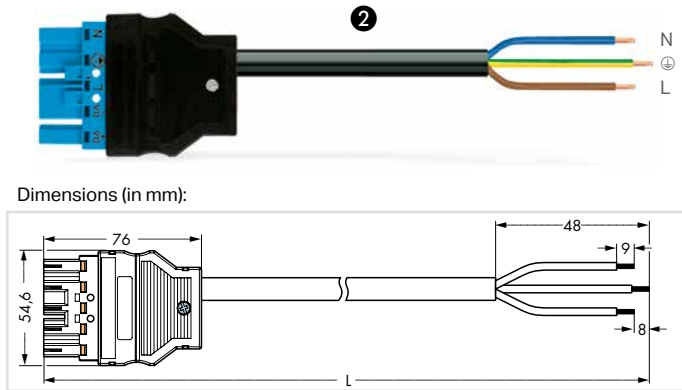
# WINSTA® MIDI

## Cable Assemblies 2 x 1.5 mm<sup>2</sup>/3 x 1.5 mm<sup>2</sup>

### 771 Series

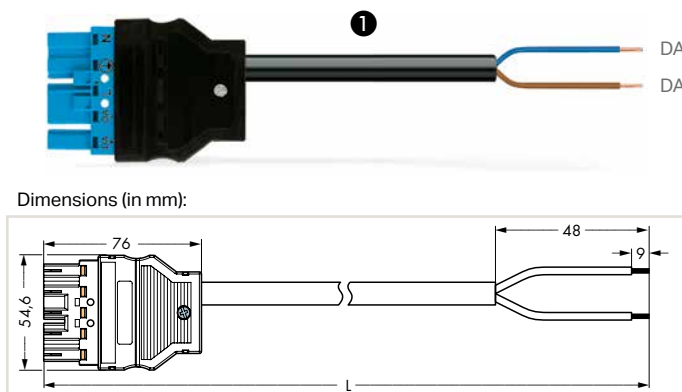
PVC	H05VV-F 2x1.5 ① H05VV-F 3G1.5 ②
halogen-free	H05Z1Z1-F 2x1.5 ① H05Z1Z1-F 3G1.5 ②

Rated voltage	250 V
Rated current	16 A
Strip length	9 mm / 0.35 inch
Conductor preparation	tip-bonded



Adapter cable, plug – free end, I-coding			
Length	● black PVC	● black halogen-free	Pack. Unit
1 m	771-5001/148-000	771-5001/156-000	1
2 m	771-5001/149-000	771-5001/157-000	1
3 m	771-5001/150-000	771-5001/158-000	1
4 m	771-5001/151-000	771-5001/159-000	1
5 m	771-5001/152-000	771-5001/160-000	1
6 m	771-5001/153-000	771-5001/161-000	1
7 m	771-5001/154-000	771-5001/162-000	1
8 m	771-5001/155-000	771-5001/163-000	1

5



Adapter cable, plug – free end, I-coding			
Length	● black PVC	● black halogen-free	Pack. Unit
1 m	771-5001/164-000	771-5001/172-000	1
2 m	771-5001/165-000	771-5001/173-000	1
3 m	771-5001/166-000	771-5001/174-000	1
4 m	771-5001/167-000	771-5001/175-000	1
5 m	771-5001/168-000	771-5001/176-000	1
6 m	771-5001/169-000	771-5001/177-000	1
7 m	771-5001/170-000	771-5001/178-000	1
8 m	771-5001/171-000	771-5001/179-000	1

Additional cable lengths available upon request.

- 771 Series Accessories, see page 355
- Approvals, see www.wago.com
- Codings, see page 372

Coding	Marking	Color
A	L ⊕ N	● black
I	+ -	● blue
I	N ⊕ L DA- DA+	● blue

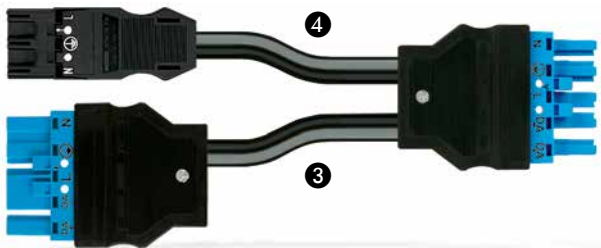
# WINSTA® MIDI

## Cable Assemblies 2 x 1.5 mm<sup>2</sup>/3 x 2.5 mm<sup>2</sup>

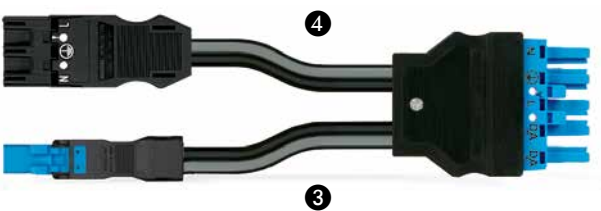
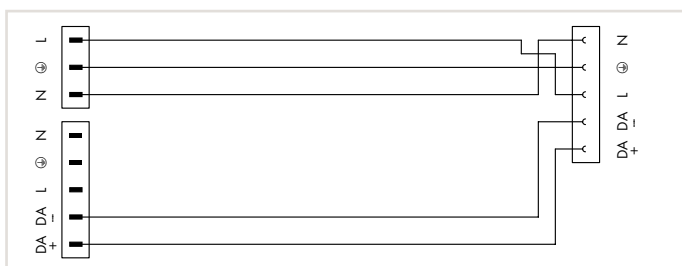
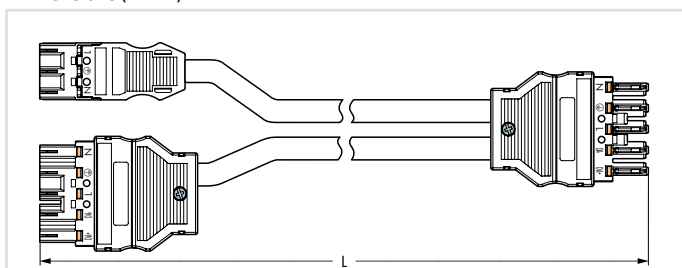
### 771 Series

PVC	H05VV-F 2x1.5 <sup>③</sup>
	H05VV-F 3G2.5 <sup>④</sup>
halogen-free	H05Z1Z1-F 2x1.5 <sup>③</sup>
	H05Z1Z1-F 3G2.5 <sup>④</sup>

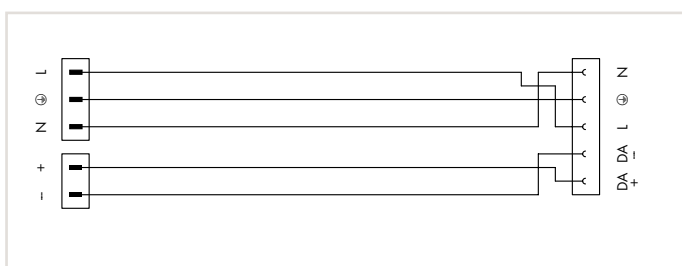
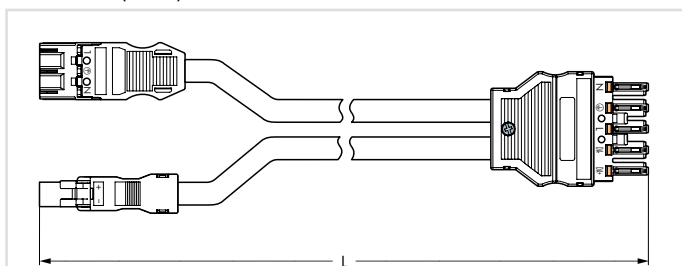
Rated voltage	250 V
Rated current	16 A



Dimensions (in mm):



Dimensions (in mm):



Y-cable, DALI mains center supply, PVC, A+I-coding		
Length	● black	Pack. Unit
0.5 m	771-5001/180-000	1

Y-cable, DALI mains center supply, halogen-free, A+I-coding		
Length	● black	Pack. Unit
0.5 m	771-5001/181-000	1

Y-cable, mains supply + DALI, PVC, A+I-coding		
Length	● black	Pack. Unit
0.5 m	771-5001/182-000	1

Y-cable, mains supply + DALI, halogen-free, A+I-coding		
Length	● black	Pack. Unit
0.5 m	771-5001/183-000	1



**WInsta® MAXI**

## WINSTA® MAXI

### 6 mm<sup>2</sup> / 35 A

### 831 Series

- Note
- Installation connectors are designed for connection and disconnection while not under load.
  - There is no hazard-inducing interchangeability with systems based on IEC 60309, IEC 60320, IEC 60906 and with national connector and socket systems.
  - Compliance with the standards (IEC 61535) does not guarantee hazard-preventing, non-interchangeability with installation connector systems from various manufacturers.
  - Installation connector systems are not a substitute for residential connector/socket systems.
  - WINSTA® MAXI Connectors are not intended for installation in open or easily accessible areas.




---

#### Pluggable Connectors, 831 Series

5-pole

Page

265

# WINSTA® MAXI

## Technical Data, 5-Pole

### 831 Series



#### Connection Data

Connection technology	Push-in CAGE CLAMP®
Solid conductor	0.5 ... 6 mm <sup>2</sup> / 20 ... 8 AWG
Stranded conductor	0.5 ... 4 mm <sup>2</sup> / 20 ... 12 AWG
Fine-stranded conductor	0.5 ... 6 mm <sup>2</sup> / 20 ... 8 AWG
Strip length	13 mm / 0.51 inch (see also packaging or instructions)

#### Electrical Data

Ratings per*	IEC/EN 60664-1
Rated voltage (III / 3)	
5-pole	400 V
Rated surge voltage (III / 3)	
5-pole	6 kV
Rated current	
5-pole	35 A
Approvals per	UL 1059
Rated voltage (UL)	600 V
Rated current (UL)	42 A

Clearances and creepage distances	≥ 5.5 mm to exposed surfaces (Protection Category II)
Contact resistance	approx. 1 mΩ contact resistance approx. 0.25 mΩ contact transition socket / plug
Number of potentials	
5-pole	5
Number of connection points	
5-pole	5

#### Mechanical Data

Mating cycles	100, without resistive load 50, with resistive load I <sub>N</sub> = 35 A (6 mm <sup>2</sup> )
Mating forces	20 ... 70 N (depending on pole number)
Unmating forces	20 ... 70 N (depending on pole number) when unlocked
Retention forces	> 80 N (locked)
Cable diameter	
5-pole	13 ... 18 mm Ø
Protection type	IP2xC (with strain relief housing) Note: These compact connectors are not designed for use in open, easily accessible areas.
Processing temperature	-5 ... +40 °C
Continuous operating temperature	-35 ... ≤ +85 °C PVC cable ≤ +70 °C (incl. halogen-free) Insulating parts ≤ +105 °C

#### Mismating Protection

All WINSTA® components are 100 % protected against mismating in terms of:

- Plugging a different number of poles
- Plugging when rotated by 180°
- Plugging when laterally staggered
- Plugging one pole


#### Locking Levers


Sockets are factory-equipped with locking levers to ensure plugs and sockets are securely locked.

#### Material Data

Insulating parts	Polyamide (PA 66), halogen-free
Contacts	Copper or copper alloy, surface-treated
Clamping spring	Stainless steel (Cr-Ni)
Flammability class (per UL 94)	V0

\*(III / 3) ≙ Overvoltage category III /  
Pollution degree 3

 Approvals,  
see [www.wago.com](http://www.wago.com)

 Coding overview,  
see page 372

Standards/Approvals

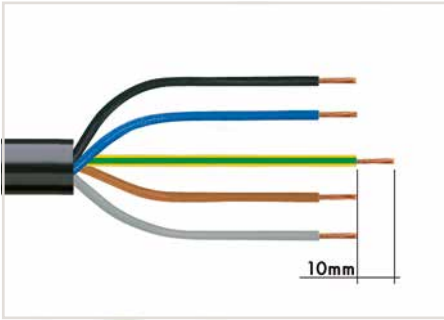
---

- UL
  - CCA certificate
-

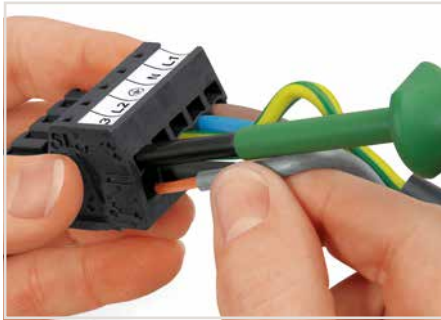
# WINSTA® MAXI

## Description and Installation

### 831 Series



The following lengths are recommended:  
 1. Strip length, outer insulation = 80 mm  
 2. Strip length = 13 mm  
 3. Extended ground conductor = 10 mm



To terminate fine-stranded conductors, open the clamping unit via screwdriver (5.5 mm blade width) and insert a stripped conductor until it hits backstop.



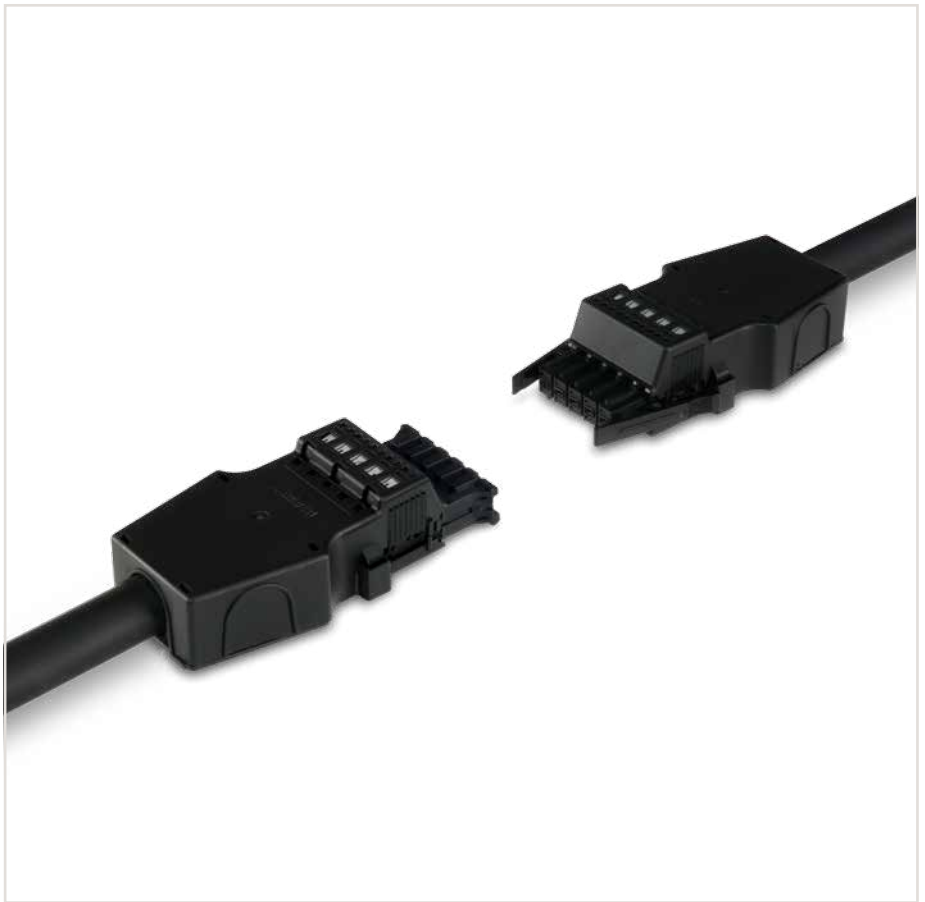
The printed marking of the connector is clearly visible in the openings of the strain relief housing.



Unscrew base of strain relief housing.



Snap wired connector onto the base.



Tighten strain relief using a screwdriver.



Wired connector fitted in base of strain relief housing.



Latch the top of the strain relief housing.

6



## WINSTA® MAXI

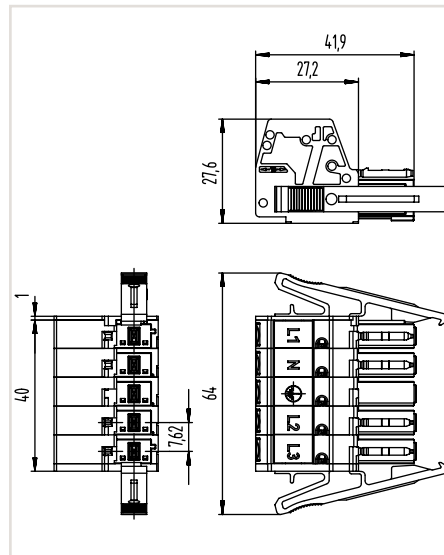
### Sockets and Plugs, 5-Pole

### 831 Series

Conductor range, solid and fine-stranded	0.5 ... 6 mm <sup>2</sup> / 20 ... 8 AWG
Conductor range, stranded	0.5 ... 4 mm <sup>2</sup> / 20 ... 12 AWG
Rated voltage	400 V
Rated current	35 A
Strip length	13 mm / 0.51 inch



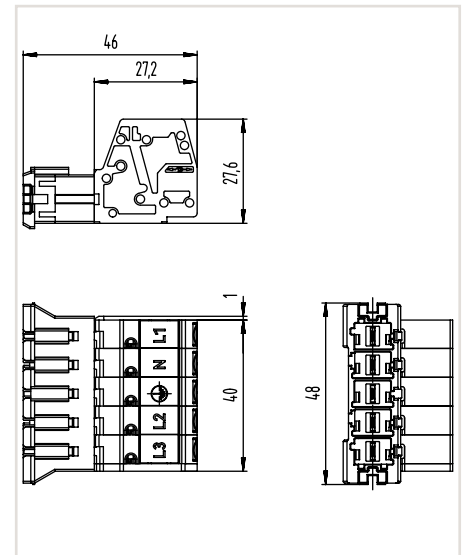
Dimensions (in mm):



Socket, with strain relief housing,  
for one cable, 13 ... 18 mm cable diameter,  
80 mm strip length

Color	Item No.	Pack. Unit
● black	831-3105/1019-004	5
○ white	831-3105/1019-050	5

Dimensions (in mm):



Plug, with strain relief housing,  
for one cable, 13 ... 18 mm cable diameter,  
80 mm strip length

Color	Item No.	Pack. Unit
● black	831-3205/1020-004	5
○ white	831-3205/1020-050	5

6

Approvals,  
see [www.wago.com](http://www.wago.com)

Coding overview,  
see page 372

Coding	Marking	Color
A	L1 N ⊕ L2 L3	● black
A	L1 N ⊕ L2 L3	○ white





**WINSTA<sup>®</sup> RD**

## WINSTA® RD

### 2.5 mm<sup>2</sup> / 20 A

### 774 Series

- Note**
- Installation connectors are designed for connection and disconnection while not under load.
  - There is no hazard-inducing interchangeability with systems based on IEC 60309, IEC 60320, IEC 60906 and with national connector and socket systems.
  - Compliance with the standards (IEC 61535) does not guarantee hazard-preventing, non-interchangeability with installation connector systems from various manufacturers.
  - Installation connector systems are not a substitute for residential connector/socket systems.
  - WINSTA® RD Connectors are not intended for installation in open or easily accessible areas.

	Page
	<b>Cable Assemblies, 774 Series</b> 3 x 1.5 mm <sup>2</sup> <span style="float: right;">270</span> 3 x 2.5 mm <sup>2</sup> <span style="float: right;">275</span>
	<b>Cable Assemblies, 774 Series</b> 4 x 1.5 mm <sup>2</sup> <span style="float: right;">278</span>
	<b>Plug Adapters for Attema's Hollow-Wall Boxes, 774 Series</b> 3-pole <span style="float: right;">280</span>

## WINSTA® RD


### Technical Data, 3- to 4-Pole


#### 774 Series



Electrical Data	
Ratings per*	IEC/EN 60664-1
Rated voltage (III / 3)	
3-pole	250 V
4-pole	250 V
Rated surge voltage (III / 3)	
3-pole	4 kV
4-pole	4 kV
Rated current	
3-pole	16 A (20 A for 2.5 mm <sup>2</sup> cables)
4-pole	16 A
Clearances and creepage distances	≥ 5.5 mm to exposed surfaces (Protection Category II)
Contact resistance	approx. 1 mΩ contact resistance approx. 0.25 mΩ contact transition socket /plug
Conductor ends	9 mm / 0.35 inch, tip-bonded
Number of potentials	
3-pole	3
4-pole	4
Mechanical Data	
Mating cycles	200, without resistive load 100, with resistive load $I_N = 20$ A (2.5 mm <sup>2</sup> )
Mating forces	30 ... 70 N (depending on pole number)
Unmating forces	30 ... 70 N (depending on pole number) when unlocked
Retention forces	> 80 N (locked)
Protection type	IP2xC Note: These pluggable installation connectors are not designed for use in open, easily accessible areas.
Processing temperature	-5 ... +40 °C
Continuous operating temperature	-35 ... ≤ +85 °C PVC cable ≤ +70 °C (incl. halogen-free) Insulating parts ≤ +105 °C
Mismatching Protection	
All WINSTA® components are 100 % protected against mismatching in terms of:	
<ul style="list-style-type: none"> <li>• Plugging a different number of poles</li> <li>• Plugging when turned by 180°</li> <li>• Plugging when laterally staggered</li> </ul>	
Locking Levers	
Sockets are factory-equipped with locking levers.	
Material Data	
Insulating parts	Polyamide (PA 66), halogen-free
Contacts	Copper or copper alloy, surface-treated
Clamping spring	Stainless steel (Cr-Ni)
Flammability class (per UL 94)	V0
Standards/Approvals	
<ul style="list-style-type: none"> <li>• CCA certificate</li> </ul>	

\*(III / 3) ± Overvoltage category III /  
Pollution degree 3

 Approvals,  
see [www.wago.com](http://www.wago.com)

 Coding overview,  
see page 372



# WINSTA® RD

## Cable Assemblies, 3 x 1.5 mm<sup>2</sup>, PVC

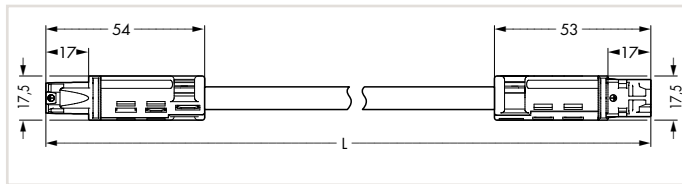
### 774 Series

PVC	H05VV-F 3G1.5
-----	---------------

Rated voltage	250 V
Rated current	16 A
Strip length	9 mm / 0.35 inch
Conductor preparation	tip-bonded



Dimensions (in mm):

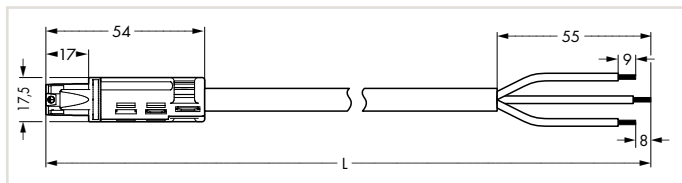


Interconnecting cable, socket – plug, PVC, A-coding

Length	● black	○ white	Pack. Unit
1 m	774-9993/006-101	774-9993/006-102	1
2 m	774-9993/006-201	774-9993/006-202	1
3 m	774-9993/006-301	774-9993/006-302	1
4 m	774-9993/006-401	774-9993/006-402	1
5 m	774-9993/006-501	774-9993/006-502	1
6 m	774-9993/006-601	774-9993/006-602	1
7 m	774-9993/006-701	774-9993/006-702	1
8 m	774-9993/006-801	774-9993/006-802	1



Dimensions (in mm):

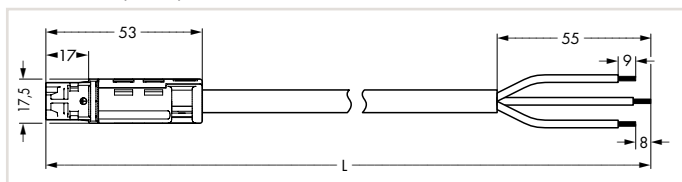


Connecting cable, socket – free end, PVC, A-coding

Length	● black	○ white	Pack. Unit
1 m	774-9993/106-101	774-9993/106-102	1
2 m	774-9993/106-201	774-9993/106-202	1
3 m	774-9993/106-301	774-9993/106-302	1
4 m	774-9993/106-401	774-9993/106-402	1
5 m	774-9993/106-501	774-9993/106-502	1
6 m	774-9993/106-601	774-9993/106-602	1
7 m	774-9993/106-701	774-9993/106-702	1
8 m	774-9993/106-801	774-9993/106-802	1



Dimensions (in mm):



Connecting cable, plug – free end, PVC, A-coding

Length	● black	○ white	Pack. Unit
1 m	774-9993/206-101	774-9993/206-102	1
2 m	774-9993/206-201	774-9993/206-202	1
3 m	774-9993/206-301	774-9993/206-302	1
4 m	774-9993/206-401	774-9993/206-402	1
5 m	774-9993/206-501	774-9993/206-502	1
6 m	774-9993/206-601	774-9993/206-602	1
7 m	774-9993/206-701	774-9993/206-702	1
8 m	774-9993/206-801	774-9993/206-802	1

Additional cable lengths available upon request.

Approvals, see <a href="http://www.wago.com">www.wago.com</a>
Codings, see page 372

Coding	Marking	Color
A	L ⊕ N	● black
A	L ⊕ N	○ white

# WINSTA® RD

## Cable Assemblies, 3 x 1.5 mm<sup>2</sup>, Halogen-Free

### 774 Series

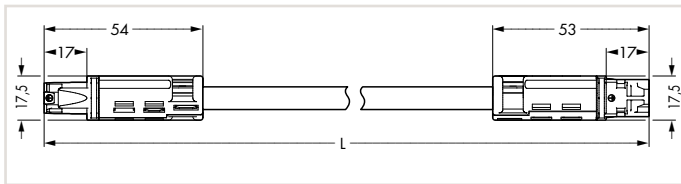
halogen-free

H05Z1Z1-F 3G1.5

Rated voltage	250 V
Rated current	16 A
Strip length	9 mm / 0.35 inch
Conductor preparation	tip-bonded



Dimensions (in mm):

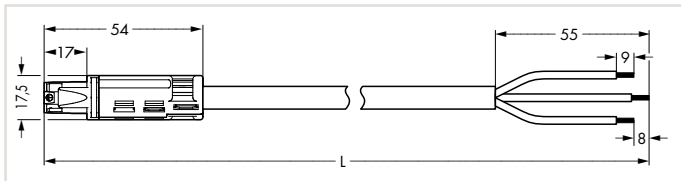


Interconnecting cable, socket – plug, halogen-free, A-coding

Length	● black	○ white	Pack. Unit
1 m	774-9993/016-101	774-9993/016-102	1
2 m	774-9993/016-201	774-9993/016-202	1
3 m	774-9993/016-301	774-9993/016-302	1
4 m	774-9993/016-401	774-9993/016-402	1
5 m	774-9993/016-501	774-9993/016-502	1
6 m	774-9993/016-601	774-9993/016-602	1
7 m	774-9993/016-701	774-9993/016-702	1
8 m	774-9993/016-801	774-9993/016-802	1



Dimensions (in mm):

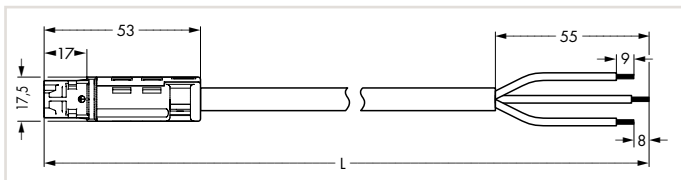


Connecting cable, socket – free end, halogen-free, A-coding

Length	● black	○ white	Pack. Unit
1 m	774-9993/116-101	774-9993/116-102	1
2 m	774-9993/116-201	774-9993/116-202	1
3 m	774-9993/116-301	774-9993/116-302	1
4 m	774-9993/116-401	774-9993/116-402	1
5 m	774-9993/116-501	774-9993/116-502	1
6 m	774-9993/116-601	774-9993/116-602	1
7 m	774-9993/116-701	774-9993/116-702	1
8 m	774-9993/116-801	774-9993/116-802	1



Dimensions (in mm):



Connecting cable, plug – free end, halogen-free, A-coding

Length	● black	○ white	Pack. Unit
1 m	774-9993/216-101	774-9993/216-102	1
2 m	774-9993/216-201	774-9993/216-202	1
3 m	774-9993/216-301	774-9993/216-302	1
4 m	774-9993/216-401	774-9993/216-402	1
5 m	774-9993/216-501	774-9993/216-502	1
6 m	774-9993/216-601	774-9993/216-602	1
7 m	774-9993/216-701	774-9993/216-702	1
8 m	774-9993/216-801	774-9993/216-802	1

Coding	Marking	Color
A	L ⊕ N	● black
A	L ⊕ N	○ white

7

# WINSTA® RD

## Cable Assemblies, 3 x 1.5 mm<sup>2</sup>, PVC

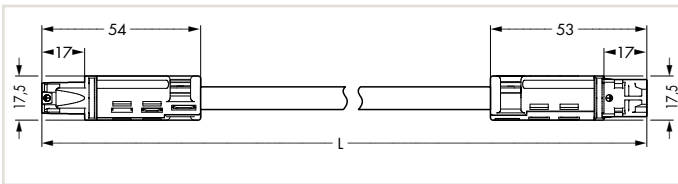
### 774 Series

PVC	H05VV-F 3x1.5
-----	---------------

Rated voltage	250 V
Rated current	16 A
Strip length	11 mm / 0.43 inch
Conductor preparation	tip-bonded



Dimensions (in mm):

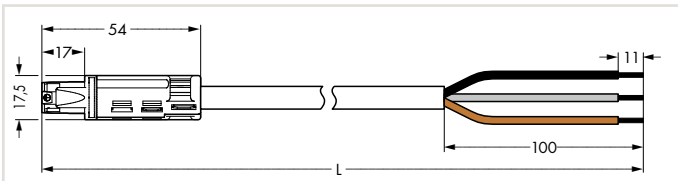


Interconnecting cable, socket with locking lever – plug, PVC, S-coding

Length	● black	Pack. Unit
1 m	774-9973/006-105	1
2 m	774-9973/006-205	1
3 m	774-9973/006-305	1
4 m	774-9973/006-405	1
5 m	774-9973/006-505	1
6 m	774-9973/006-605	1
7 m	774-9973/006-705	1
8 m	774-9973/006-805	1



Dimensions (in mm):

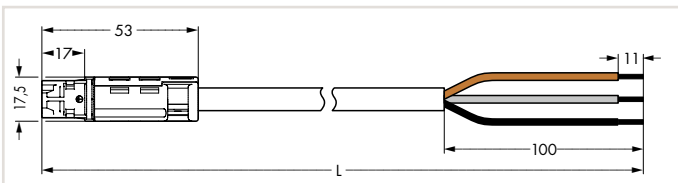


Connecting cable, socket with locking lever – free end, PVC, S-coding

Length	● black	Pack. Unit
1 m	774-9973/106-105	1
2 m	774-9973/106-205	1
3 m	774-9973/106-305	1
4 m	774-9973/106-405	1
5 m	774-9973/106-505	1
6 m	774-9973/106-605	1
7 m	774-9973/106-705	1
8 m	774-9973/106-805	1



Dimensions (in mm):



Connecting cable, plug – free end, PVC, S-coding

Length	● black	Pack. Unit
1 m	774-9973/206-105	1
2 m	774-9973/206-205	1
3 m	774-9973/206-305	1
4 m	774-9973/206-405	1
5 m	774-9973/206-505	1
6 m	774-9973/206-605	1
7 m	774-9973/206-705	1
8 m	774-9973/206-805	1

Additional cable lengths available upon request.

Approvals, see [www.wago.com](http://www.wago.com)

Codings, see page 372

Coding	S
--------	---

Marking	1 2 L
---------	-------

Color	● brown
-------	---------



# WINSTA® RD

## Cable Assemblies, 3 x 1.5 mm<sup>2</sup>, Halogen-Free

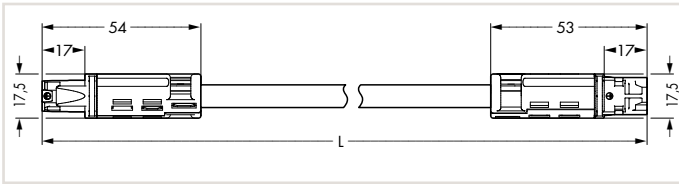
### 774 Series

halogen-free	H05Z1Z1-F 3x1.5
--------------	-----------------

Rated voltage	250 V
Rated current	16 A
Strip length	11 mm / 0.43 inch
Conductor preparation	tip-bonded



Dimensions (in mm):



Interconnecting cable, socket with locking lever – plug, halogen-free, S-coding

Length	● black	Pack. Unit
1 m	774-9973/016-105	1
2 m	774-9973/016-205	1
3 m	774-9973/016-305	1
4 m	774-9973/016-405	1
5 m	774-9973/016-505	1
6 m	774-9973/016-605	1
7 m	774-9973/016-705	1
8 m	774-9973/016-805	1



Dimensions (in mm):

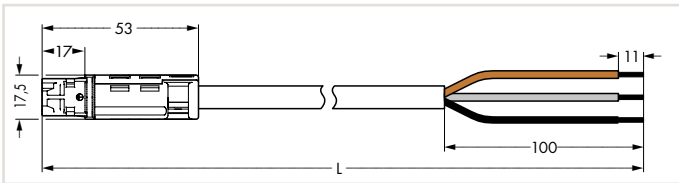


Connecting cable, socket with locking lever – free end, halogen-free, S-coding

Length	● black	Pack. Unit
1 m	774-9973/116-105	1
2 m	774-9973/116-205	1
3 m	774-9973/116-305	1
4 m	774-9973/116-405	1
5 m	774-9973/116-505	1
6 m	774-9973/116-605	1
7 m	774-9973/116-705	1
8 m	774-9973/116-805	1



Dimensions (in mm):



Connecting cable, plug – free end, halogen-free, S-coding

Length	● black	Pack. Unit
1 m	774-9973/216-105	1
2 m	774-9973/216-205	1
3 m	774-9973/216-305	1
4 m	774-9973/216-405	1
5 m	774-9973/216-505	1
6 m	774-9973/216-605	1
7 m	774-9973/216-705	1
8 m	774-9973/216-805	1

Coding	Marking	Color
S	1 2 L	● brown

# WINSTA® RD

## Cable Assemblies, 3 x 1.5 mm<sup>2</sup>

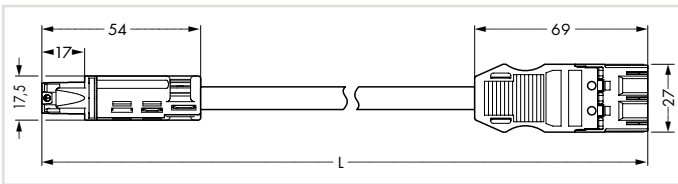
### 774 Series

PVC	H05VV-F 3x1.5
halogen-free	H05Z1Z1-F 3x1.5

Rated voltage	250 V
Rated current	16 A



Dimensions (in mm):

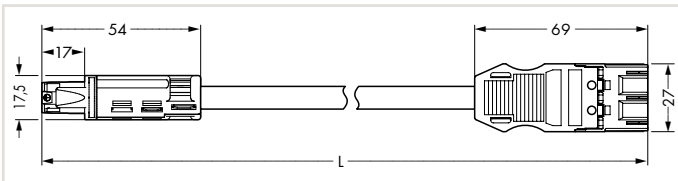


Adapter cable,  
RD socket – MIDI plug, PVC, S-coding

Length	● black	Pack. Unit
1 m	774-9973/1506-105	1
2 m	774-9973/1506-205	1
3 m	774-9973/1506-305	1
4 m	774-9973/1506-405	1
5 m	774-9973/1506-505	1
6 m	774-9973/1506-605	1
7 m	774-9973/1506-705	1
8 m	774-9973/1506-805	1



Dimensions (in mm):



Connecting cable,  
RD socket – MIDI plug, halogen-free, S-coding

Length	● black	Pack. Unit
1 m	774-9973/1516-105	1
2 m	774-9973/1516-205	1
3 m	774-9973/1516-305	1
4 m	774-9973/1516-405	1
5 m	774-9973/1516-505	1
6 m	774-9973/1516-605	1
7 m	774-9973/1516-705	1
8 m	774-9973/1516-805	1

7

Additional cable lengths available upon request.

Approvals, see <a href="http://www.wago.com">www.wago.com</a>
Codings, see page 372

Coding	Marking	Color
S	1 2 L	● brown

## WINSTA® RD

### Cable Assemblies 3 x 2.5 mm<sup>2</sup>

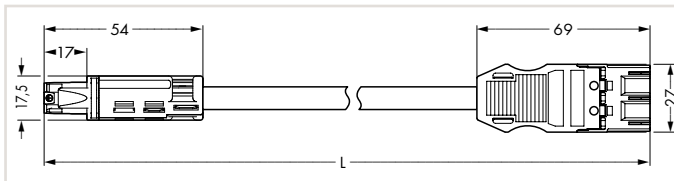
#### 774 Series

PVC	H05VV-F 3G2.5
halogen-free	H05Z1Z1-F 3G2.5

Rated voltage	250 V
Rated current	20 A



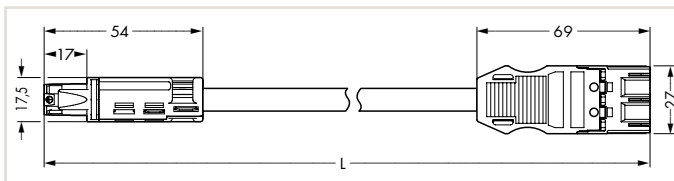
Dimensions (in mm):

Adapter cable,  
RD socket – MIDI plug, PVC, A-coding

Length	● black	Pack. Unit
1 m	774-9993/1507-101	1
2 m	774-9993/1507-201	1
3 m	774-9993/1507-301	1
4 m	774-9993/1507-401	1
5 m	774-9993/1507-501	1
6 m	774-9993/1507-601	1
7 m	774-9993/1507-701	1
8 m	774-9993/1507-801	1



Dimensions (in mm):

Connecting cable,  
RD socket – MIDI plug, halogen-free, A-coding

Length	● black	Pack. Unit
1 m	774-9993/1517-101	1
2 m	774-9993/1517-201	1
3 m	774-9993/1517-301	1
4 m	774-9993/1517-401	1
5 m	774-9993/1517-501	1
6 m	774-9993/1517-601	1
7 m	774-9993/1517-701	1
8 m	774-9993/1517-801	1

Coding	Marking	Color
A	L ⊕ N	● black

# WINSTA® RD

## Cable Assemblies 3 x 2.5 mm<sup>2</sup>, PVC

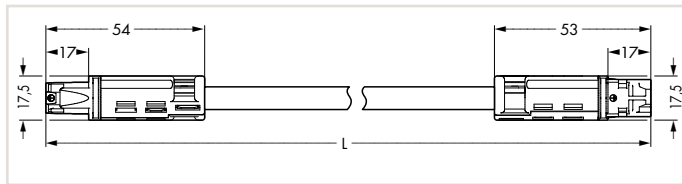
### 774 Series

PVC	H05VV-F 3G2.5
-----	---------------

Rated voltage	250 V
Rated current	20 A
Strip length	9 mm / 0.35 inch
Conductor preparation	tip-bonded



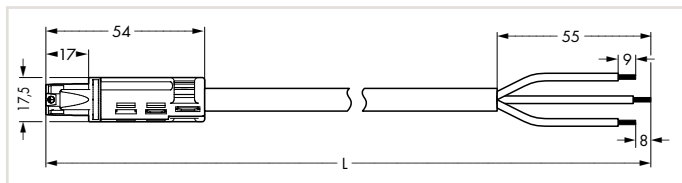
Dimensions (in mm):



Interconnecting cable, socket – plug, PVC, A-coding			
Length	● black	○ white	Pack. Unit
1 m	774-9993/007-101	774-9993/007-102	1
2 m	774-9993/007-201	774-9993/007-202	1
3 m	774-9993/007-301	774-9993/007-302	1
4 m	774-9993/007-401	774-9993/007-402	1
5 m	774-9993/007-501	774-9993/007-502	1
6 m	774-9993/007-601	774-9993/007-602	1
7 m	774-9993/007-701	774-9993/007-702	1
8 m	774-9993/007-801	774-9993/007-802	1



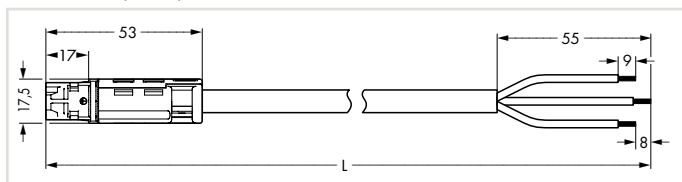
Dimensions (in mm):



Connecting cable, socket – free end, PVC, A-coding			
Length	● black	○ white	Pack. Unit
1 m	774-9993/107-101	774-9993/107-102	1
2 m	774-9993/107-201	774-9993/107-202	1
3 m	774-9993/107-301	774-9993/107-302	1
4 m	774-9993/107-401	774-9993/107-402	1
5 m	774-9993/107-501	774-9993/107-502	1
6 m	774-9993/107-601	774-9993/107-602	1
7 m	774-9993/107-701	774-9993/107-702	1
8 m	774-9993/107-801	774-9993/107-802	1



Dimensions (in mm):



Connecting cable, plug – free end, PVC, A-coding			
Length	● black	○ white	Pack. Unit
1 m	774-9993/207-101	774-9993/207-102	1
2 m	774-9993/207-201	774-9993/207-202	1
3 m	774-9993/207-301	774-9993/207-302	1
4 m	774-9993/207-401	774-9993/207-402	1
5 m	774-9993/207-501	774-9993/207-502	1
6 m	774-9993/207-601	774-9993/207-602	1
7 m	774-9993/207-701	774-9993/207-702	1
8 m	774-9993/207-801	774-9993/207-802	1

Additional cable lengths available upon request.

Approvals, see <a href="http://www.wago.com">www.wago.com</a>
Codings, see page 372

Coding	Marking	Color
A	L ⊕ N	● black
A	L ⊕ N	○ white

# WINSTA® RD

## Cable Assemblies 3 x 2.5 mm<sup>2</sup>, Halogen-Free

### 774 Series

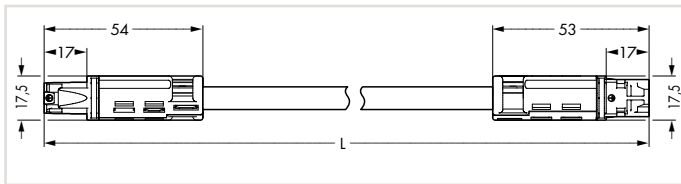
halogen-free

H05Z1Z1-F 3G2.5

Rated voltage	250 V
Rated current	20 A
Strip length	9 mm / 0.35 inch
Conductor preparation	tip-bonded



Dimensions (in mm):

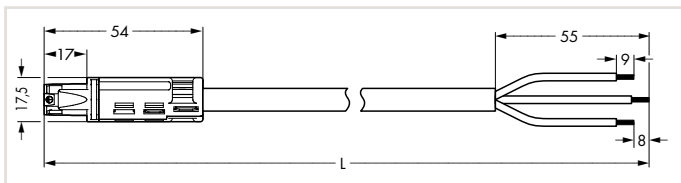


Interconnecting cable, socket – plug, halogen-free, A-coding

Length	● black	○ white	Pack. Unit
1 m	774-9993/017-101	774-9993/017-102	1
2 m	774-9993/017-201	774-9993/017-202	1
3 m	774-9993/017-301	774-9993/017-302	1
4 m	774-9993/017-401	774-9993/017-402	1
5 m	774-9993/017-501	774-9993/017-502	1
6 m	774-9993/017-601	774-9993/017-602	1
7 m	774-9993/017-701	774-9993/017-702	1
8 m	774-9993/017-801	774-9993/017-802	1



Dimensions (in mm):



Connecting cable, socket – free end, halogen-free, A-coding

Length	● black	○ white	Pack. Unit
1 m	774-9993/117-101	774-9993/117-102	1
2 m	774-9993/117-201	774-9993/117-202	1
3 m	774-9993/117-301	774-9993/117-302	1
4 m	774-9993/117-401	774-9993/117-402	1
5 m	774-9993/117-501	774-9993/117-502	1
6 m	774-9993/117-601	774-9993/117-602	1
7 m	774-9993/117-701	774-9993/117-702	1
8 m	774-9993/117-801	774-9993/117-802	1



Dimensions (in mm):



Connecting cable, plug – free end, halogen-free, A-coding

Length	● black	○ white	Pack. Unit
1 m	774-9993/217-101	774-9993/217-102	1
2 m	774-9993/217-201	774-9993/217-202	1
3 m	774-9993/217-301	774-9993/217-302	1
4 m	774-9993/217-401	774-9993/217-402	1
5 m	774-9993/217-501	774-9993/217-502	1
6 m	774-9993/217-601	774-9993/217-602	1
7 m	774-9993/217-701	774-9993/217-702	1
8 m	774-9993/217-801	774-9993/217-802	1

Coding	Marking	Color
A	L ⊕ N	● black
A	L ⊕ N	○ white

7

# WINSTA® RD

## Cable Assemblies 4 x 1.5 mm<sup>2</sup>, PVC

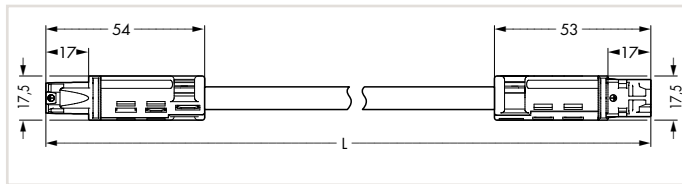
### 774 Series

PVC	H05VV-F 4G1.5
-----	---------------

Rated voltage	250 V
Rated current	16 A
Strip length	9 mm / 0.35 inch
Conductor preparation	tip-bonded



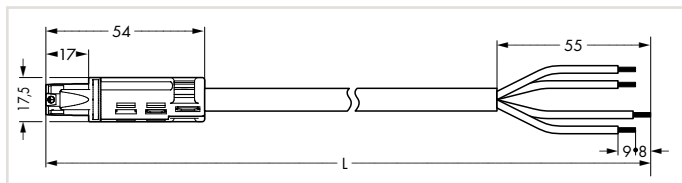
Dimensions (in mm):



Interconnecting cable, socket – plug, PVC, A-coding			
Length	● black	○ white	Pack. Unit
1 m	774-9994/006-101	774-9994/006-102	1
2 m	774-9994/006-201	774-9994/006-202	1
3 m	774-9994/006-301	774-9994/006-302	1
4 m	774-9994/006-401	774-9994/006-402	1
5 m	774-9994/006-501	774-9994/006-502	1
6 m	774-9994/006-601	774-9994/006-602	1
7 m	774-9994/006-701	774-9994/006-702	1
8 m	774-9994/006-801	774-9994/006-802	1



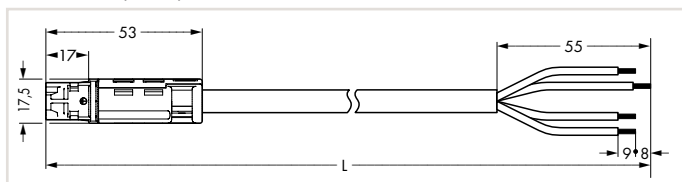
Dimensions (in mm):



Connecting cable, socket – free end, PVC, A-coding			
Length	● black	○ white	Pack. Unit
1 m	774-9994/106-101	774-9994/106-102	1
2 m	774-9994/106-201	774-9994/106-202	1
3 m	774-9994/106-301	774-9994/106-302	1
4 m	774-9994/106-401	774-9994/106-402	1
5 m	774-9994/106-501	774-9994/106-502	1
6 m	774-9994/106-601	774-9994/106-602	1
7 m	774-9994/106-701	774-9994/106-702	1
8 m	774-9994/106-801	774-9994/106-802	1



Dimensions (in mm):



Connecting cable, plug – free end, PVC, A-coding			
Length	● black	○ white	Pack. Unit
1 m	774-9994/206-101	774-9994/206-102	1
2 m	774-9994/206-201	774-9994/206-202	1
3 m	774-9994/206-301	774-9994/206-302	1
4 m	774-9994/206-401	774-9994/206-402	1
5 m	774-9994/206-501	774-9994/206-502	1
6 m	774-9994/206-601	774-9994/206-602	1
7 m	774-9994/206-701	774-9994/206-702	1
8 m	774-9994/206-801	774-9994/206-802	1

Additional cable lengths available upon request.

Approvals, see <a href="http://www.wago.com">www.wago.com</a>
Codings, see page 372

Coding	Marking	Color
A	N ⊕ 2 1	● black
A	N ⊕ 2 1	○ white

# WINSTA® RD

## Cable Assemblies 4 x 1.5 mm<sup>2</sup>, Halogen-Free

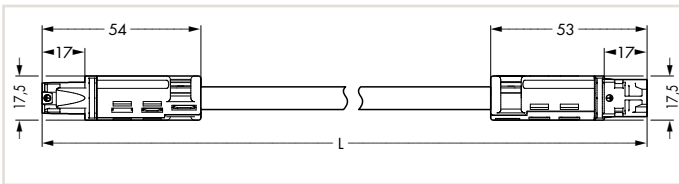
### 774 Series

halogen-free	H05Z1Z1-F 4G1.5
--------------	-----------------

Rated voltage	250 V
Rated current	16 A
Strip length	9 mm / 0.35 inch
Conductor preparation	tip-bonded



Dimensions (in mm):

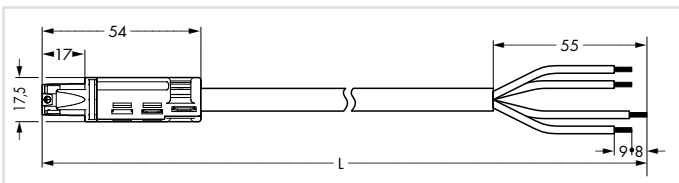


Interconnecting cable, socket – plug, halogen-free, A-coding

Length	● black	○ white	Pack. Unit
1 m	774-9994/016-101	774-9994/016-102	1
2 m	774-9994/016-201	774-9994/016-202	1
3 m	774-9994/016-301	774-9994/016-302	1
4 m	774-9994/016-401	774-9994/016-402	1
5 m	774-9994/016-501	774-9994/016-502	1
6 m	774-9994/016-601	774-9994/016-602	1
7 m	774-9994/016-701	774-9994/016-702	1
8 m	774-9994/016-801	774-9994/016-802	1



Dimensions (in mm):

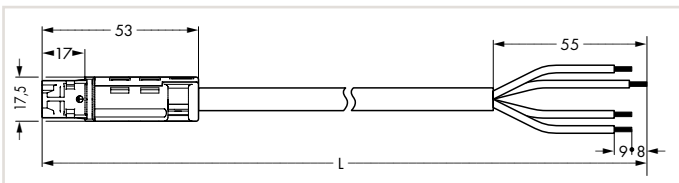


Connecting cable, socket – free end, halogen-free, A-coding

Length	● black	○ white	Pack. Unit
1 m	774-9994/116-101	774-9994/116-102	1
2 m	774-9994/116-201	774-9994/116-202	1
3 m	774-9994/116-301	774-9994/116-302	1
4 m	774-9994/116-401	774-9994/116-402	1
5 m	774-9994/116-501	774-9994/116-502	1
6 m	774-9994/116-601	774-9994/116-602	1
7 m	774-9994/116-701	774-9994/116-702	1
8 m	774-9994/116-801	774-9994/116-802	1



Dimensions (in mm):



Connecting cable, plug – free end, halogen-free, A-coding

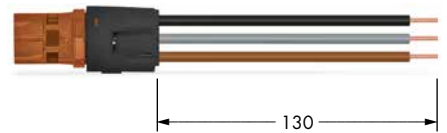
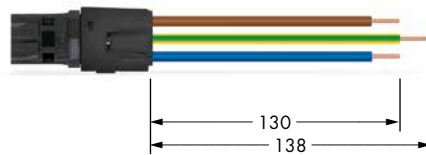
Length	● black	○ white	Pack. Unit
1 m	774-9994/216-101	774-9994/216-102	1
2 m	774-9994/216-201	774-9994/216-202	1
3 m	774-9994/216-301	774-9994/216-302	1
4 m	774-9994/216-401	774-9994/216-402	1
5 m	774-9994/216-501	774-9994/216-502	1
6 m	774-9994/216-601	774-9994/216-602	1
7 m	774-9994/216-701	774-9994/216-702	1
8 m	774-9994/216-801	774-9994/216-802	1

Coding	Marking	Color
A	N ⊕ 2 1	● black
A	N ⊕ 2 1	○ white

# WINSTA® RD

## Plug Adapters for Attema's Hollow-Wall Boxes, 3-Pole 774 Series

Conductor range	3 x 2.5 mm <sup>2</sup>
Rated voltage	250 V
Rated current	20 A
Strip length	16 mm / 0.63 inch



Plug adapter, for power outlets, A-coding		
Color	Item No.	Pack. Unit
● black	774-213/9900-000	10

Plug adapter, for switches, S-coding		
Color	Item No.	Pack. Unit
● black	774-1373/9900-000	10



These plug adapters are designed for Attema's hollow-wall boxes. They permit complete preassembly of switches and power outlets, allowing them to be plugged on site via WINSTA® RD Connectors. This relocates the wiring of switches and outlets from the construction site to the factory, simplifying on-site installation and minimizing installation time.

Approvals, see <a href="http://www.wago.com">www.wago.com</a>
Codings, see page 372

Coding	Marking	Color
A	L ⊕ N	● black
S	1 2 L	● brown

7









**WINSTA<sup>®</sup> KNX**

## WINSTA® KNX

### 0.8 mm Ø / 3 A

### 893 / 894 Series

- Note
- Installation connectors are designed for connection and disconnection while not under load.
  - There is no hazard-inducing interchangeability with systems based on IEC 60309, IEC 60320, IEC 60906 and with national connector and socket systems.
  - Installation connector systems are not a substitute for residential connector/socket systems.
  - WINSTA® KNX Connectors are not intended for installation in open or easily accessible areas.

	Page
	<b>Pluggable Connectors, 893 Series</b> 2-pole 287
	<b>Snap-In Device Connectors, 893 Series</b> 2-pole 288
	<b>T-Distribution Connectors, 893 Series</b> 2-pole 289
	<b>Cable Assemblies, 894 Series</b> 2 x 0.8 mm Ø 290

## WINSTA® KNX


### Technical Data, 2-Pole


#### 893 / 894 Series



Connection Data	
Connection technology	PUSH WIRE®
Solid conductor	5.0 mm Ø
Strip length	9 mm / 0.35 inch (see also packaging or instructions)
Electrical Data	
Ratings per*	IEC/EN 60664-1
Rated voltage (III / 3)	
2-pole	50 V
Rated surge voltage (III / 3)	
2-pole	0.8 kV
Rated current	
2-pole	3 A
Clearances and creepage distances	≥ 5.5 mm
Contact resistance	approx. 3 mΩ
Number of potentials	
2-pole	2
Mechanical Data	
Mating cycles	200
Mating forces	10 ... 15 N
Unmating forces	15 ... 20 N (unlocked)
Protection type	IP20 (with strain relief housing) Note: These compact connectors are not designed for use in open, easily accessible areas.
Processing temperature	-5 ... +40 °C
Continuous operating temperature	-35 ... ≤ +85 °C PVC cable ≤ +70 °C (incl. halogen-free) Insulating parts ≤ +105 °C
Material Data	
Insulating parts	Polyamide (PA 66), halogen-free
Contacts	Copper or copper alloy, surface-treated
Clamping spring	Stainless steel (Cr-Ni)
Flammability class (per UL 94)	V0
Standards/Approvals	
• EIB/KNX manual	

\*(III / 3) ≙ Overvoltage category III /  
Pollution degree 3

 Approvals,  
see [www.wago.com](http://www.wago.com)

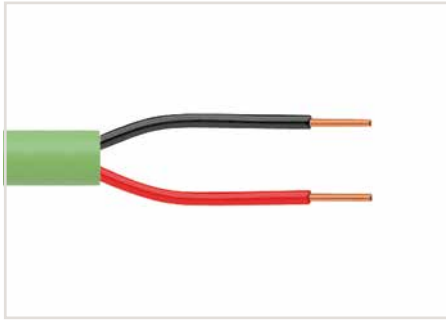
 Coding overview,  
see page 372



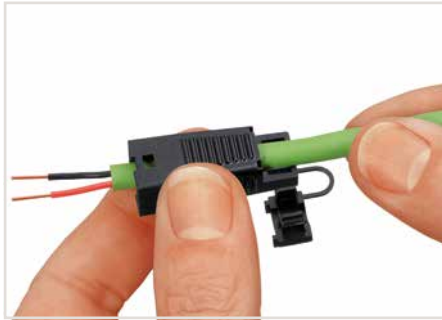
# WINSTA® KNX

## Description and Installation

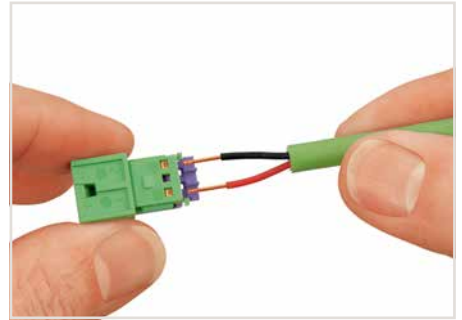
### 893 / 894 Series



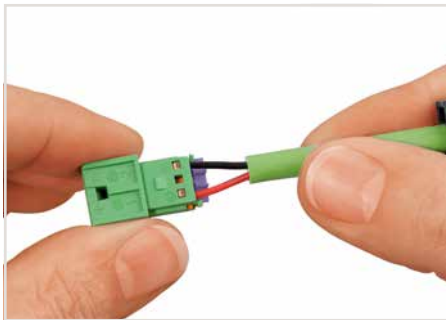
1. Strip length, outer insulation = 23 mm  
2. Strip length = 9 mm



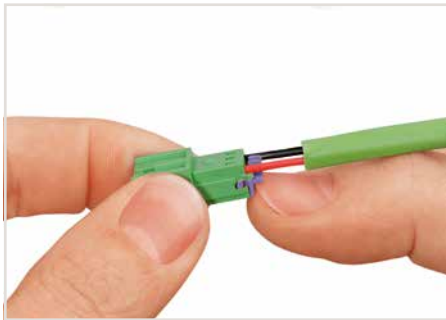
Prior to termination, pull the strain relief housing over the cable.



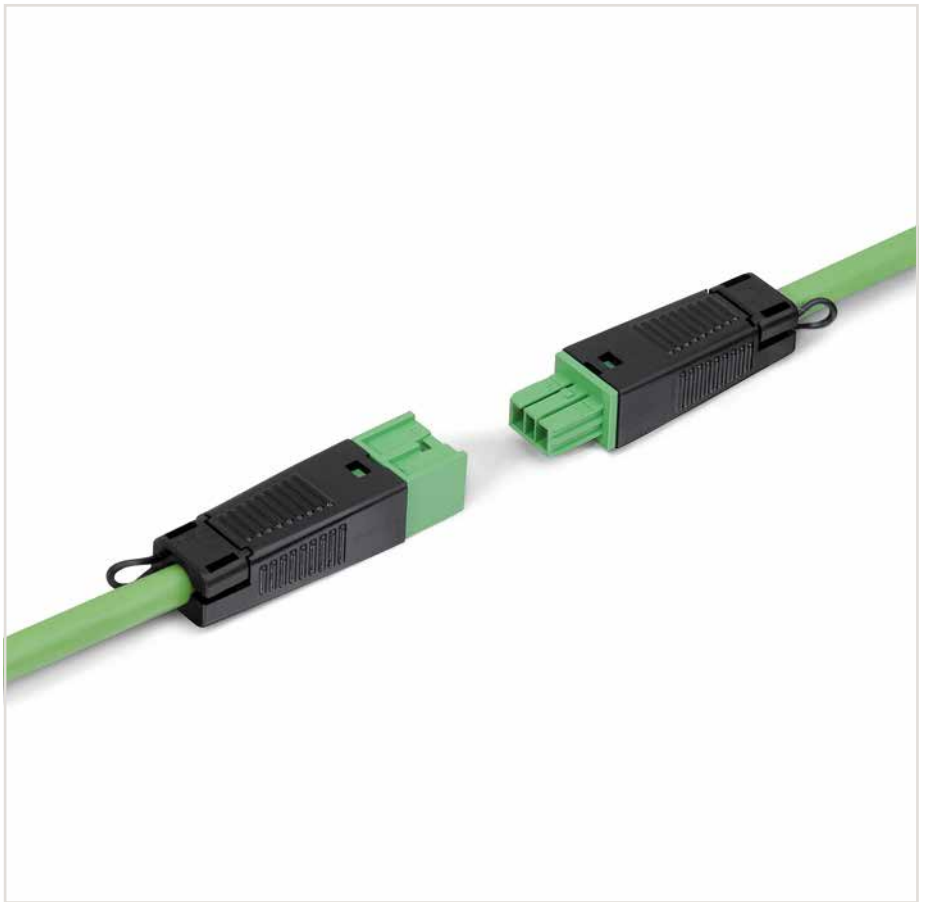
Insert stripped conductors directly into the conductor entries.



Push conductors until they hit backstop.



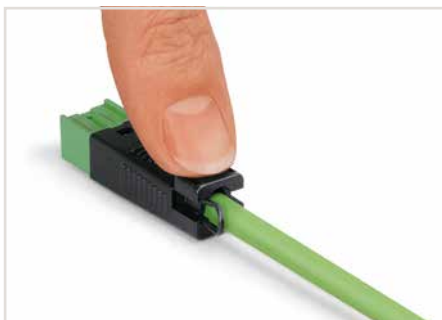
To disconnect, open clamping unit using the actuator and pull out the conductor.



8



Snap wired connector into the strain relief housing.



Press strain relief firmly on the cable.



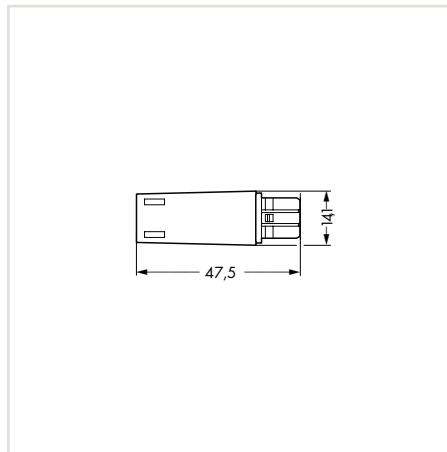
Pre-assembled KNX connector

# WINSTA® KNX Sockets and Plugs, 2-Pole 893 Series

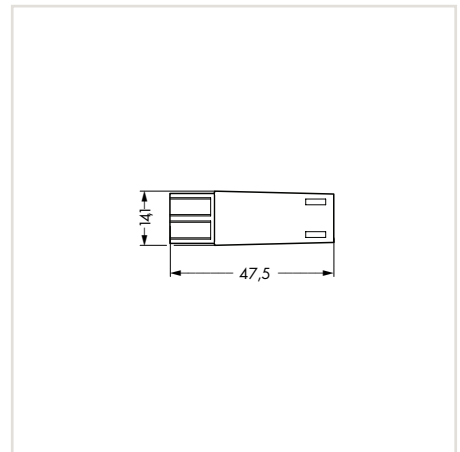
Conductor diameter	0.8 mm
Rated voltage	50 V
Rated current	3 A
Strip length	9 mm / 0.35 inch



Dimensions (in mm):



Dimensions (in mm):



Socket,  
with strain relief housing,  
for 5 ... 7 mm cable diameter,  
23 mm strip length

Color	Item No.	Pack. Unit
● green	893-1002	50
○ light gray	893-1022	50

Plug,  
with strain relief housing,  
for 5 ... 7 mm cable diameter,  
23 mm strip length

Color	Item No.	Pack. Unit
● green	893-1012	50
○ light gray	893-1032	50

Approvals,  
see www.wago.com

Coding overview,  
see page 372

Coding	Marking	Color
E	1+ 2-	● green
F	1+ 2-	○ light gray

# WINSTA® KNX

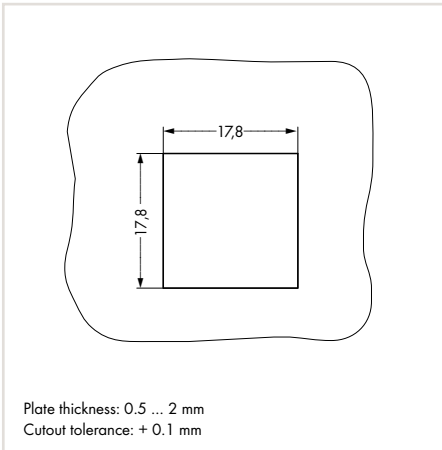
## Snap-In Sockets and Plugs, 2-Pole

### 893 Series

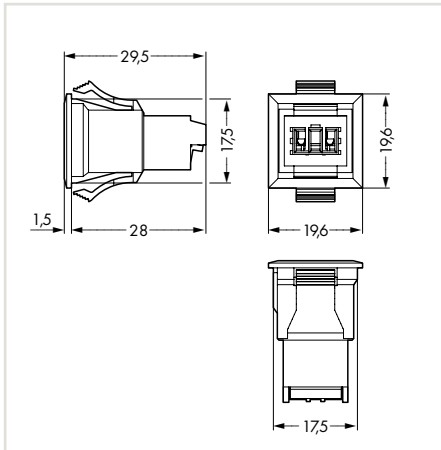
Conductor diameter	0.8 mm
Rated voltage	50 V
Rated current	3 A
Strip length	9 mm / 0.35 inch



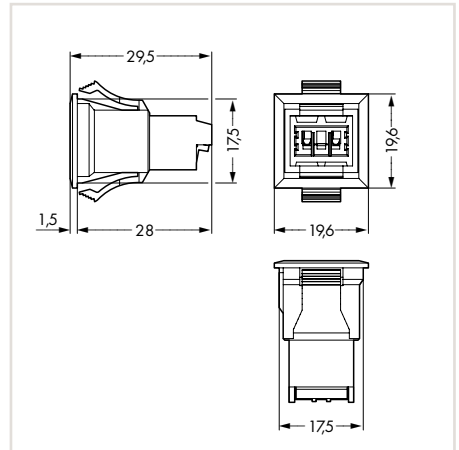
Dimensions (in mm):



Dimensions (in mm):



Dimensions (in mm):



**Socket, for KNX applications**

Color	Item No.	Pack. Unit
● green	893-2002	50

**Socket, with special coding**

Color	Item No.	Pack. Unit
○ light gray	893-2022	50

**Plug, for KNX applications**

Color	Item No.	Pack. Unit
● green	893-2012	50

**Plug, with special coding**

Color	Item No.	Pack. Unit
○ light gray	893-2032	50

8

Approvals, see [www.wago.com](http://www.wago.com)

Coding overview, see page 372

Coding	Marking	Color
E	1+ 2-	● green
F	1+ 2-	○ light gray



## WINSTA® KNX

### T-Distribution Connectors, 2-Pole

#### 893 Series

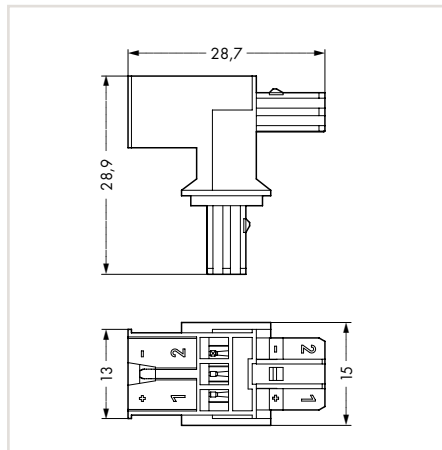


Flying leads using a T-distribution connector

Conductor diameter	0.8 mm
Rated voltage	50 V
Rated current	3 A



Dimensions (in mm):

T-distribution connector, 1 x plug/2 x socket,  
for KNX applications

Color	Item No.	Pack. Unit
● green	893-1606	25

T-distribution connector, 1 x plug/2 x socket,  
with special coding

Color	Item No.	Pack. Unit
○ light gray	893-1656	25

Coding	Marking	Color
E	1+ 2-	● green
F	1+ 2-	○ light gray

# WINSTA® KNX

## Cable Assemblies, 2 x 2 x 0.8 mm Ø

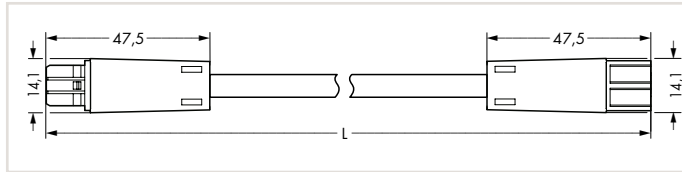
### 894 Series

PVC	UNITRONIC BUS EIB 2x2x0.8
halogen-free	UNITRONIC BUS EIB 2x2x0.8

Conductor diameter	0.8 mm
Rated voltage	50 V
Rated current	3 A
Strip length	9 mm / 0.35 inch



Dimensions (in mm):

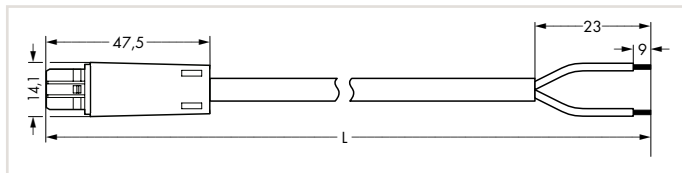


Interconnecting cable, socket – plug, PVC, E-coding		
Length	Color	Pack. Unit
1 m	● green	894-8992/033-106
3 m	● green	894-8992/033-306
5 m	● green	894-8992/033-506

Interconnecting cable, socket – plug, halogen-free, E-coding		
Length	Color	Pack. Unit
1 m	● green	894-8992/023-106
3 m	● green	894-8992/023-306
5 m	● green	894-8992/023-506



Dimensions (in mm):

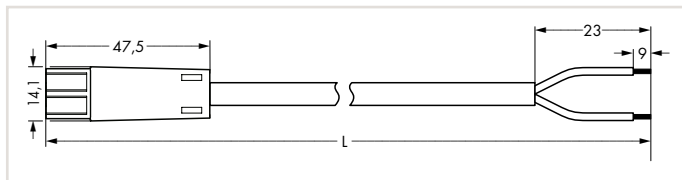


Connecting cable, socket – free end, PVC, E-coding		
Length	Color	Pack. Unit
1 m	● green	894-8992/133-106
3 m	● green	894-8992/133-306
5 m	● green	894-8992/133-506

Connecting cable, socket – free end, halogen-free, E-coding		
Length	Color	Pack. Unit
1 m	● green	894-8992/123-106
3 m	● green	894-8992/123-306
5 m	● green	894-8992/123-506



Dimensions (in mm):



Connecting cable, plug – free end, PVC, E-coding		
Length	Color	Pack. Unit
1 m	● green	894-8992/233-106
3 m	● green	894-8992/233-306
5 m	● green	894-8992/233-506

Connecting cable, plug – free end, halogen-free, E-coding		
Length	Color	Pack. Unit
1 m	● green	894-8992/223-106
3 m	● green	894-8992/223-306
5 m	● green	894-8992/223-506

Additional cable lengths available upon request.

Approvals, see [www.wago.com](http://www.wago.com)

Coding overview, see page 372

Coding  
E

Marking  
1+ 2-

Color  
● green

## WINSTA® KNX

### Cable Assemblies, 1 x 2 x 0.8 mm Ø

### 894 Series

halogen-free

J-Y(ST)Y...LG 1x2x0.8

Conductor diameter

0.8 mm

Rated voltage

50 V

Rated current

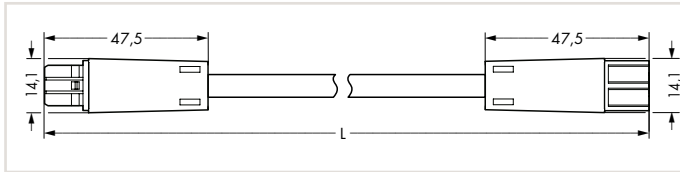
3 A

Strip length

9 mm / 0.35 inch



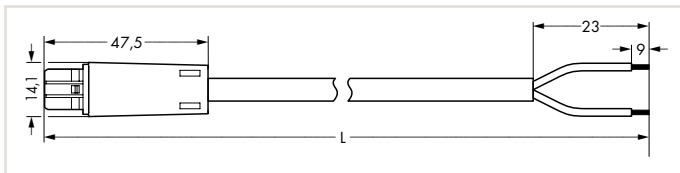
Dimensions (in mm):

Interconnecting cable,  
socket – plug, halogen-free, F-coding

Length	○ light gray	Pack. Unit
1 m	894-8992/023-107	1
3 m	894-8992/023-307	1
5 m	894-8992/023-507	1



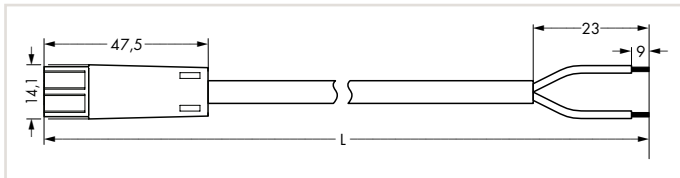
Dimensions (in mm):

Connecting cable,  
socket – free end, halogen-free, F-coding

Length	○ light gray	Pack. Unit
1 m	894-8992/123-107	1
3 m	894-8992/123-307	1
5 m	894-8992/123-507	1



Dimensions (in mm):

Connecting cable,  
plug – free end, halogen-free, F-coding

Length	○ light gray	Pack. Unit
1 m	894-8992/223-107	1
3 m	894-8992/223-307	1
5 m	894-8992/223-507	1

Coding

F

Marking

1+ 2-

Color

○ light gray



# WINSTA® IDC

## Important note:

The WINSTA® IDC system consists of the flat cables and the appropriate WINSTA® connection components that are described in this catalog and marked with "WAGO."

WAGO warrants the fault-free function of the WINSTA® IDC system only where original WINSTA® components are utilized.

## Notice:






Only use identically coded supply and tap-off modules on the same cable!

- A- and P-coding (N ⊕ L1 L2 L3) are designed for a 400 V three-phase current cable configuration.
- I-coding (N ⊕ L DA- DA+) is designed for up to 230 V and dimming cable configurations.
- B-coding (N ⊕ L1 L2 L3) is designed for custom cable configurations.

Only modules with the same pole marking shall be used within an application.

## WINSTA® IDC for Flat Cables up to 16 mm<sup>2</sup> 772 / 893 / 895 / 896 Series

- Note
- Installation connectors are designed for connection and disconnection while not under load.
  - There is no hazard-inducing interchangeability with systems based on IEC 60309, IEC 60320, IEC 60906 and with national connector and socket systems.
  - Installation connector systems are not a substitute for residential connector/socket systems.
  - WINSTA® IDC Connectors are not intended for installation in open or easily accessible areas.

	Page	
	<b>IDC Modules for Flat Cables</b> 5 x 2.5 mm <sup>2</sup> / 5 x 4 mm <sup>2</sup> / 5 x 2.5 mm <sup>2</sup> + 2 x 1.5 mm <sup>2</sup> , 772 Series	
	Supply Modules	298
	Tap-Off Modules, WINSTA® Connectors	299
	<b>IDC Modules for Flat Cables</b> 5 x 2.5 mm <sup>2</sup> + 2 x 1.5 mm <sup>2</sup> / 2 x 1.5 mm <sup>2</sup> , 893 Series	
	Supply Modules (KNX and Special Coding)	302
	Tap-Off Modules (KNX and Special Coding)	303
	<b>IDC Modules for Flat Cables</b> 3 x 2.5 mm <sup>2</sup> , 896 Series	
	Supply Modules	310
	Tap-Off Modules	310
	<b>POWERBLOCK 10 for Flat Cable</b> 5 x 10 mm <sup>2</sup> , 895 Series	
	Supply Modules	312
	Tap-Off Modules	312
	<b>POWERBLOCK 16 for Flat Cable</b> 5 x 16 mm <sup>2</sup> , 895 Series	
	Supply Modules	314
	Tap-Off Modules	314
	<b>Flat Cables, 897 Series</b>	
	2 x 1.5 mm <sup>2</sup>	308
	3 x 2.5 mm <sup>2</sup>	311
	5 x 2.5 mm <sup>2</sup>	300
	5 x 2.5 mm <sup>2</sup> + 5 x 1.5 mm <sup>2</sup>	301
	5 x 4 mm <sup>2</sup>	301
	5 x 10 mm <sup>2</sup>	313
5 x 16 mm <sup>2</sup>	315	

# WINSTA® IDC

## Technical Data, 3- and 5-Pole

### 772 Series



#### Connection Data

Connection technology	Push-in CAGE CLAMP®
Solid conductor	0.5 ... 4 mm <sup>2</sup> / 20 ... 12 AWG
Solid conductor, push-in termination	1.5 ... 4 mm <sup>2</sup> / 16 ... 12 AWG
Stranded conductor	0.5 ... 2.5 mm <sup>2</sup> / 20 ... 14 AWG
Fine-stranded conductor	0.5 ... 4 mm <sup>2</sup> / 20 ... 12 AWG
Fine-stranded conductor with uninsulated ferrule	0.25 ... 2.5 mm <sup>2</sup> / 20 ... 14 AWG
Fine-stranded conductor with insulated ferrule	0.25 ... 1.5 mm <sup>2</sup> / 20 ... 16 AWG
Strip length	9 mm / 0.35 inch (see also packaging or instructions)

#### Electrical Data

Ratings per*	IEC/EN 60664-1
Rated voltage (III / 3)	
3-pole	250 V
5-pole	400 V
Rated surge voltage (III / 3)	
3-pole	4 kV
5-pole	6 kV
Rated current	
3-pole	25 A
5-pole	25 A
5-pole (B-coding)	25 A for 3-pole load 20 A for 4- and 5-pole load
Clearances and creepage distances	≥ 5.5 mm
Contact resistance	approx. 1 mΩ contact resistance approx. 0.25 mΩ contact transition socket /plug
Number of potentials	
3-pole	3
5-pole	5
Number of connection points	
3-pole	6
5-pole	10

#### Mechanical Data

Mating cycles	200, without resistive load 100, with resistive load $I_N = 25\text{ A}$ (4 mm <sup>2</sup> )
Mating forces	30 ... 70 N (depending on pole number)
Unmating forces	30 ... 70 N (depending on pole number) when unlocked
Retention forces	> 80 N (locked)
Cable diameter	
3-pole	8 ... 11.5 mm Ø
5-pole	9 ... 13 mm
Protection type	IP2xC (with strain relief housing) Note: These compact connectors are not designed for use in open, easily accessible areas.
Continuous operating temperature	-35 ... ≤ +85 °C PVC cable ≤ +70 °C (incl. halogen-free) Insulating parts ≤ +105 °C

#### Mismatching Protection


All WINSTA® components are 100 % protected against mismatching in terms of:


- Plugging a different number of poles
- Plugging when rotated by 180°
- Plugging when laterally staggered
- Plugging one pole


#### Locking Levers

All versions are factory-equipped with locking levers to ensure plugs and sockets are securely locked.

\* (III / 3) Δ Overvoltage category III /  
Pollution degree 3

 772 Series Accessories,  
see page 360

 Approvals,  
see [www.wago.com](http://www.wago.com)

 Coding overview,  
see page 372

**Material Data**

Insulating parts	Polyamide (PA 66), halogen-free
Contacts	Copper or copper alloy, surface-treated
Clamping spring	Stainless steel (Cr-Ni)
Flammability class (per UL 94)	V0

**Flat cables**

2 x 1.5 mm <sup>2</sup>	Copper conductors, fine-stranded, tin-plated
3 x 2.5 mm <sup>2</sup>	Copper conductors, fine-stranded, tin-plated
5 x 2.5 mm <sup>2</sup>	Copper conductors, fine-stranded, tin-plated
5 x 2.5 mm <sup>2</sup> + 2 x 1.5 mm <sup>2</sup>	Copper conductors, fine-stranded, tin-plated
5 x 4 mm <sup>2</sup>	Copper conductors, fine-stranded, tin-plated

# WINSTA® IDC Installation 772 Series



Insert flat cable into base (observe coding!).



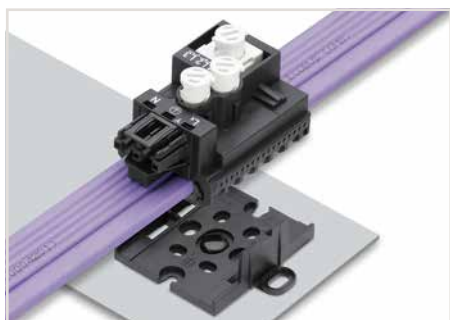
Mount IDC module flush with the base. Should the IDC module jam during mounting, turn the upper part by 180° and remount it.



Screw down contact elements until element stops.



The mounting plate can be centrally mounted, or attached via outboard attachment points using 770-601 Mounting Pins.



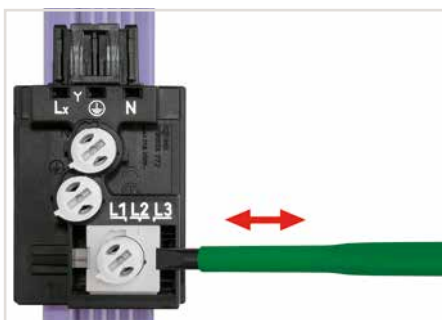
Snapping a supply or tap-off module onto a mounting plate.



9



The phase selector is in position L2 (center) when delivered.

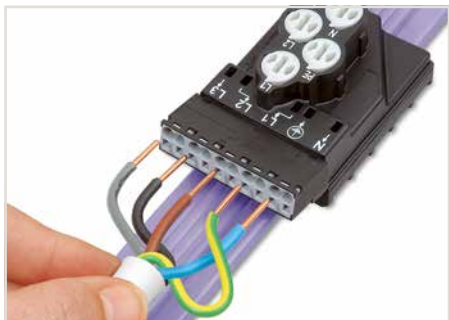


Move the phase selector into position L1 or L3 if required.



After connecting the flat cable, the IDC module is locked and can no longer be moved, even after unscrewing the contact element.





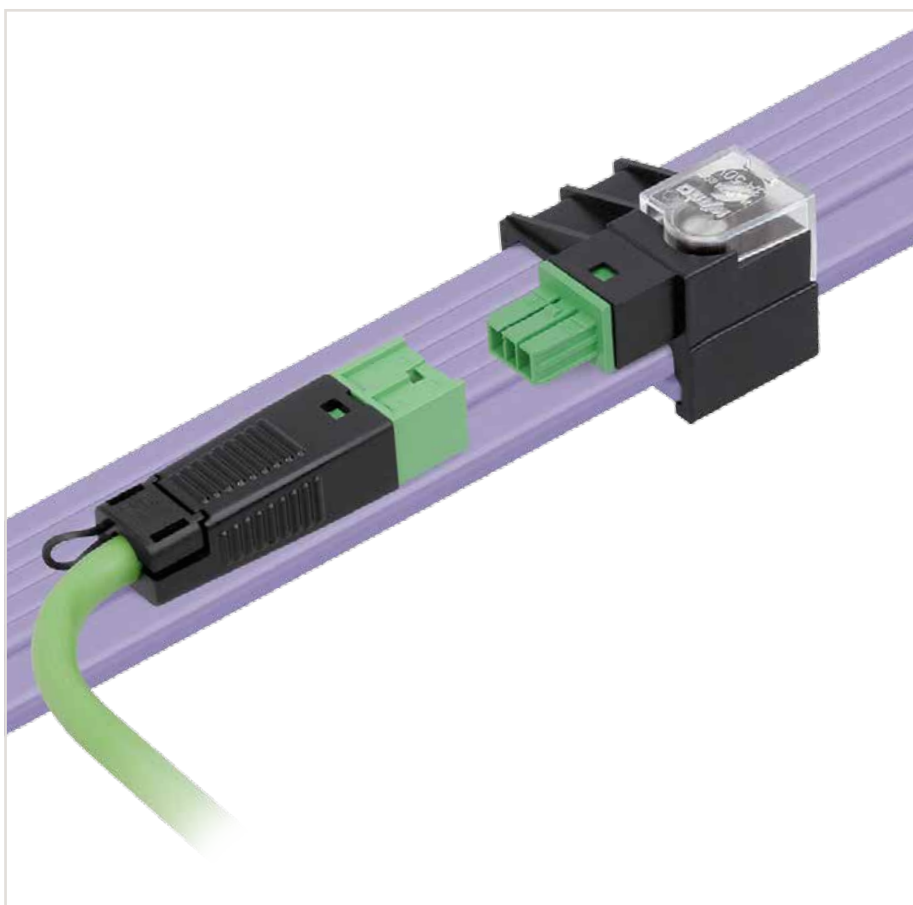
Connecting an installation cable to the supply module: Simply push stripped, solid conductors into unit. Open clamp via screwdriver to insert stripped, fine-stranded conductors.



Secure supply cable via strain relief housing.



Tighten strain relief screw using a screwdriver.



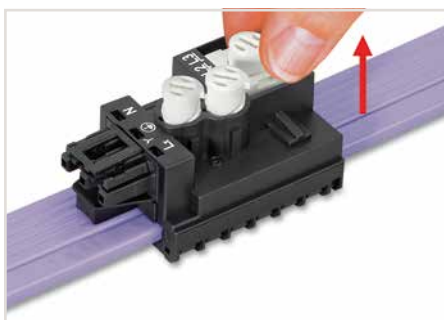
Tighten the screws to connect the flat cable. Observe 1 Nm of tightening torque!



Snap the transparent protective cover onto the module.



Notice: Should it be necessary to tap another phase, this must be done in a different location. To do so, the contact elements must be unscrewed and brought back to their original position.



Lift contact element to unlock phase selector and select the new phase. Notice: Do not reuse in the same location of the flat cable.



Use insulating tape to seal the contact holes in the flat cable after removing a module.

# WINSTA® IDC

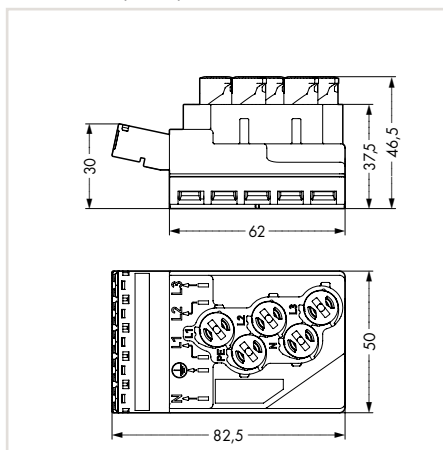
## Supply Modules, 5-Pole

### 772 Series

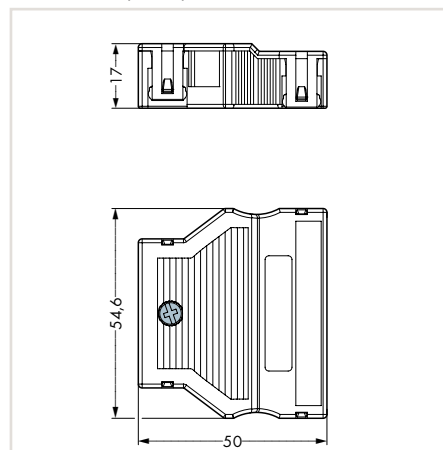
Conductor range, solid and fine-stranded	0.5 ... 4 mm <sup>2</sup> / 20 ... 12 AWG
Conductor range, stranded	0.5 ... 2.5 mm <sup>2</sup> / 20 ... 14 AWG
Rated voltage	400 V
Rated current	25 A (restrictions, see page 294)
Strip length	9 mm / 0.35 inch



Dimensions (in mm):



Dimensions (in mm):



Supply module, with strain relief housing, for two cables, 9 ... 13 mm cable diameter, 55 mm strip length

Color	Item No.	Pack. Unit
● black	772-261	10
● gray	772-264/060-000	10
● red	772-267	10
● blue	772-271	10

**Notice:**

Only use identically coded supply and tap-off modules on the same cable!

- A- and P-coding (N ⊕ L1 L2 L3) are designed for a 400 V three-phase current cable configuration.
- I-coding (N ⊕ L DA- DA+) is designed for up to 230 V and dimming cable configurations.
- B-coding (N ⊕ L1 L2 L3) is designed for custom cable configurations. Only modules with the same pole marking shall be used within an application.

📖 Suitable flat cables, see page 300

📖 772 Series Accessories, see page 360

📖 Approvals, see www.wago.com

📖 Coding overview, see page 372

Marking	Color
N ⊕ L1 L2 L3	● black
N ⊕ L1 L2 L3	● gray
N ⊕ L DA- DA+	● blue
N ⊕ L1 L2 L3	● red

# WINSTA® IDC

## Tap-Off Modules, 3- and 5-Pole

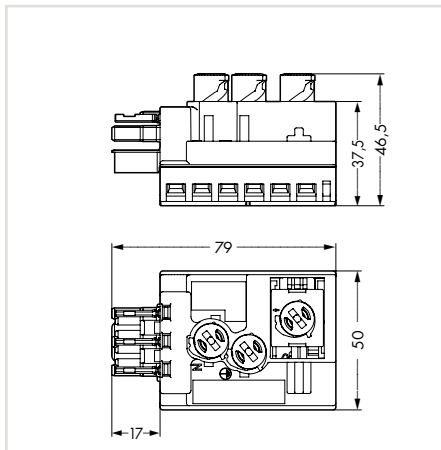
### 772 Series

Rated voltage	250 V / 400 V
Rated current	25 A (restrictions, see page 294)

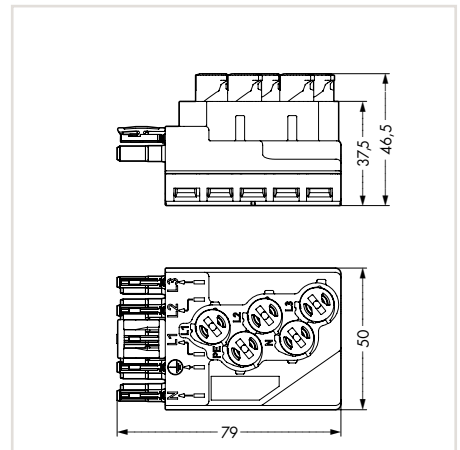
Rated voltage	250 V / 400 V
Rated current	25 A (restrictions, see page 294)



Dimensions (in mm):



Dimensions (in mm):



Tap-off module, with phase selection, 3-pole, for WINSTA® MIDI plug-in and distribution connectors, supply position L2

Color	Item No.	Pack. Unit
● black	772-263	10
● gray	772-266/060-000	10
● red	772-269	10

Tap-off module, 5-pole, for WINSTA® MIDI plug-in and distribution connectors

Color	Item No.	Pack. Unit
● black	772-262	10
● gray	772-265/060-000	10
● red	772-268	10
● blue	772-272	10

Coding	Marking	Color
A (3-pole)	N ⊕ Lx	● black
A	N ⊕ L1 L2 L3	● black
B (3-pole)	N ⊕ Lx	● gray
B	N ⊕ L1 L2 L3	● gray
I	N ⊕ L DA- DA+	● blue
P (3-pole)	N ⊕ Lx	● red
P	N ⊕ L1 L2 L3	● red

# WINSTA® IDC

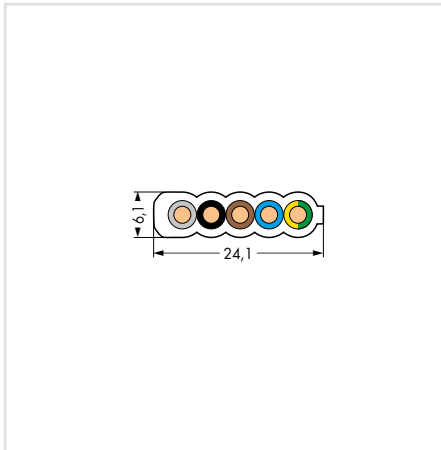
## Flat Cables, 5 x 2.5 mm<sup>2</sup>

### 897 Series

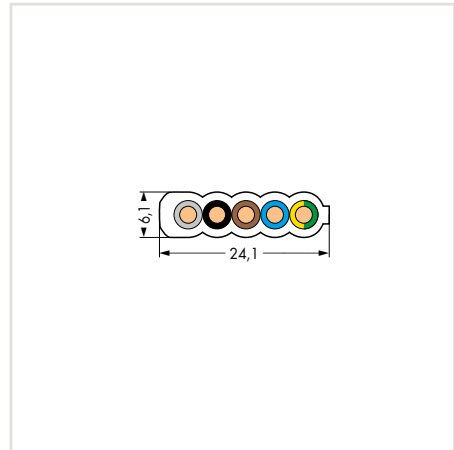
Conductor range	5 x 2.5 mm <sup>2</sup>
Rated voltage	600 V / 1000 V



Dimensions (in mm):



Dimensions (in mm):



Flat cable, 5 x 2.5 mm <sup>2</sup> , PVC	
Color	Item No.
light green	897-251

Flat cable, 5 x 2.5 mm <sup>2</sup> , halogen-free	
Color	Item No.
light green	897-252

897 Series Accessories, see page 362

Approvals, see [www.wago.com](http://www.wago.com)

# WINSTA® IDC

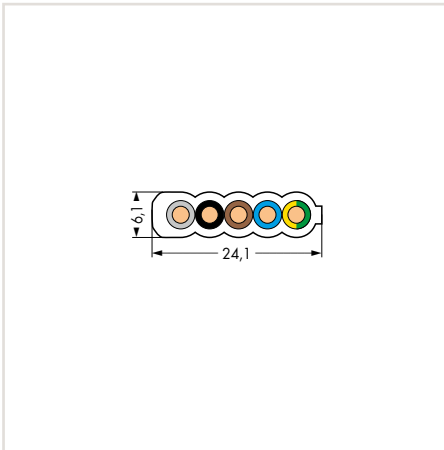
## Flat Cables, 5 x 4 mm<sup>2</sup> and 5 x 2.5 mm<sup>2</sup> + 2 x 1.5 mm<sup>2</sup>

### 897 Series

Conductor range	5 x 4 mm <sup>2</sup> / 5 x 2.5 mm <sup>2</sup> + 2 x 1.5 mm <sup>2</sup>
Rated voltage	600 V / 1000 V



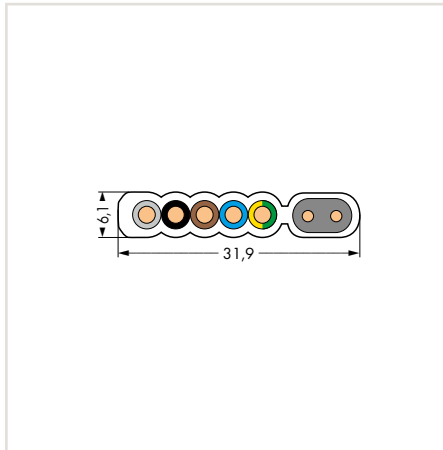
Dimensions (in mm):



Flat cable, 5 x 4 mm <sup>2</sup> , halogen-free	
Color	Item No.
black	897-453



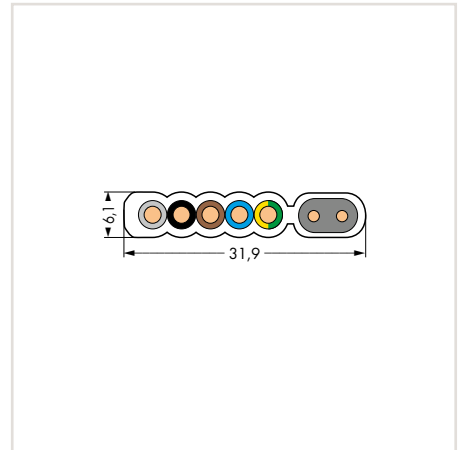
Dimensions (in mm):



Flat cable, 5 x 2.5 mm <sup>2</sup> + 2 x 1.5 mm <sup>2</sup> , PVC	
Color	Item No.
violet	897-261



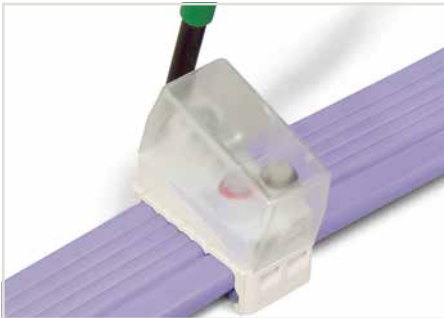
Dimensions (in mm):



Flat cable, 5 x 2.5 mm <sup>2</sup> + 2 x 1.5 mm <sup>2</sup> , halogen-free	
Color	Item No.
violet	897-262

**WINSTA® IDC****Supply Modules, 2-Pole, for 5 x 2.5 mm<sup>2</sup> + 2 x 1.5 mm<sup>2</sup> Flat Cables****893 Series**

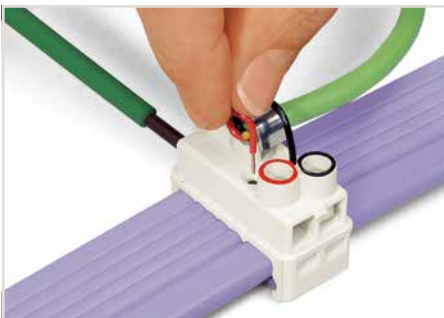
The IDC module can only be mounted if the two codings match each other. Should the IDC module jam during mounting, turn the module by 180° and remount it, flush with the base.




Remove transparent cover using a screwdriver.





Tighten the screws that are marked in red and black to connect the flat cable. Observe 1 Nm of tightening torque!



Secure bus cable via strain relief and terminate stripped conductors as shown in the picture.

 Suitable flat cables, see page 304

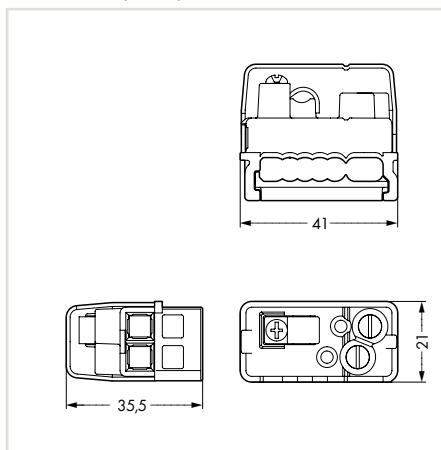
 Approvals, see [www.wago.com](http://www.wago.com)

 Coding overview, see page 373

Conductor range	0.5 ... 1.5 mm <sup>2</sup>
Rated voltage	50 V
Rated current	3 A
Strip length	9 mm / 0.35 inch



Dimensions (in mm):



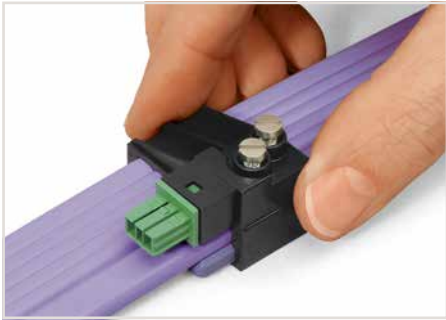
Supply module, with screw connection,  
1 Nm tightening torque

Color	Item No.	Pack. Unit
light gray	893-261	25

# WINSTA® IDC

## Tap-Off Modules, 2-Pole, for 5 x 2.5 mm<sup>2</sup> + 2 x 1.5 mm<sup>2</sup> Flat Cables

### 893 Series



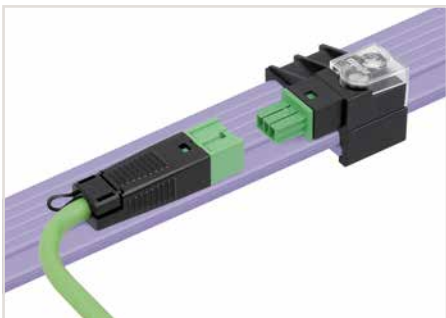
The IDC module can only be mounted if the two codings match each other. Should the IDC module jam during mounting, turn the module by 180° and remount it, flush with the base.



Tighten the screws to connect the flat cable. Observe 1 Nm of tightening torque!



Snap the transparent protective cover onto the module.

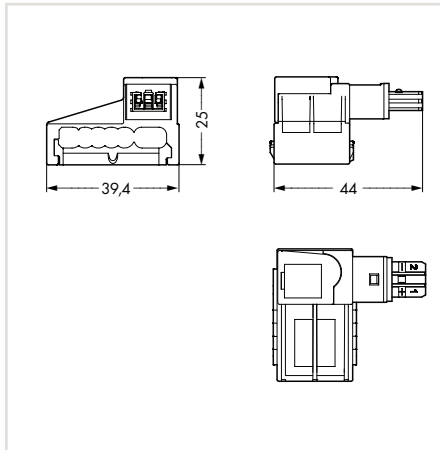


Connect the cable assembly to the module.

Rated voltage	50 V
Rated current	3 A



Dimensions (in mm):

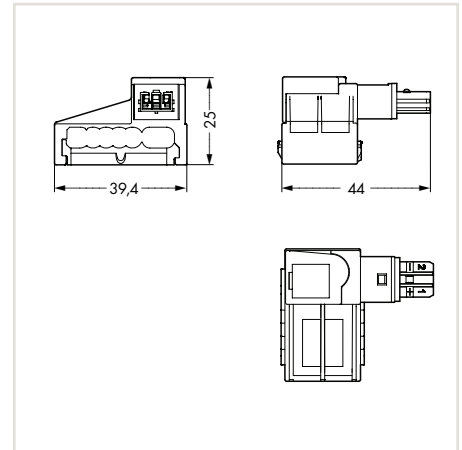


Tap-off module, with screw connection, for connectors and cable assemblies, E-coding, KNX, 1 Nm tightening torque

Color	Item No.	Pack. Unit
● green	893-262	25



Dimensions (in mm):



Tap-off module, with screw connection, for connectors and cable assemblies, F-coding, 1 Nm tightening torque

Color	Item No.	Pack. Unit
○ light gray	893-269	25

Coding	Marking	Color
E	1+ 2-	● green
F	1+ 2-	○ light gray



# WINSTA® IDC

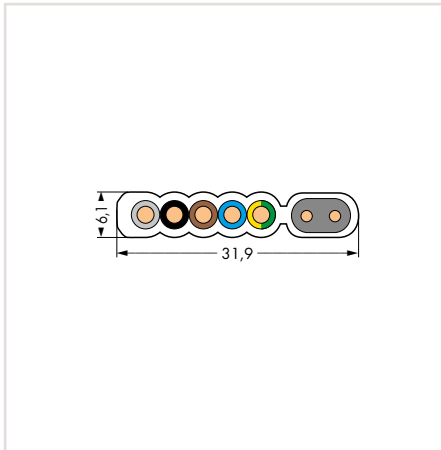
## Flat Cables, 5 x 2.5 mm<sup>2</sup> + 2 x 1.5 mm<sup>2</sup>

### 897 Series

Conductor range	5 x 2.5 mm <sup>2</sup> + 2 x 1.5 mm <sup>2</sup>
Rated voltage	600 V / 1000 V



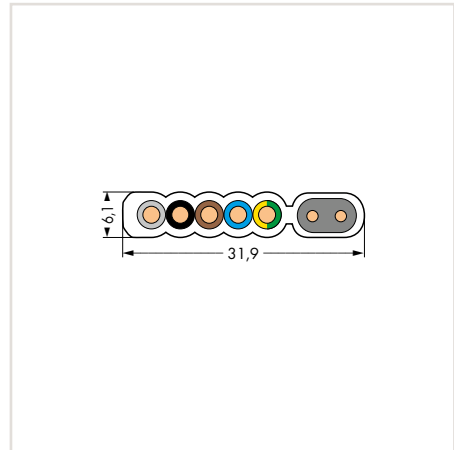
Dimensions (in mm):



Flat cable, 5 x 2.5 mm <sup>2</sup> + 2 x 1.5 mm <sup>2</sup> , PVC	
Color	Item No.
violet	897-261



Dimensions (in mm):



Flat cable, 5 x 2.5 mm <sup>2</sup> + 2 x 1.5 mm <sup>2</sup> , halogen-free	
Color	Item No.
violet	897-262

9

897 Series Accessories, see page 362

Approvals, see [www.wago.com](http://www.wago.com)





# WINSTA® IDC

## Supply Modules, 2-Pole, for 2 x 1.5 mm<sup>2</sup> Flat Cables

### 893 Series



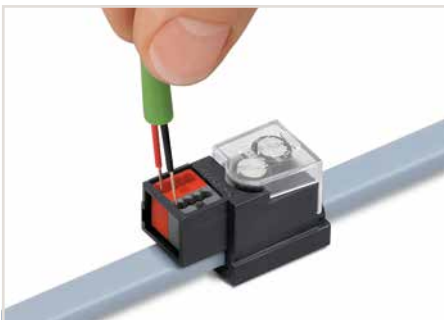
The IDC module can only be mounted if the two codings match each other. Should the IDC module jam during mounting, turn the module by 180° and remount it, flush with the base.



Tighten the screws to connect the flat cable. Observe 1 Nm of tightening torque!



9 Snap the transparent protective cover onto the module.

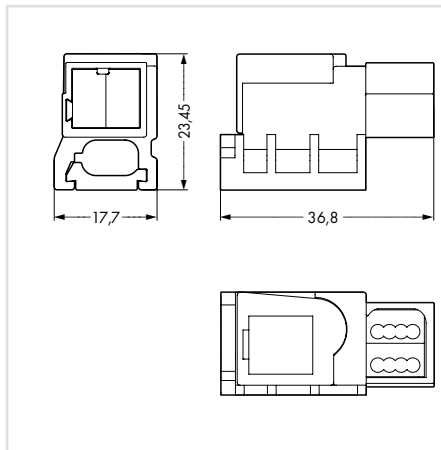


Terminate stripped, solid conductors by simply pushing them into unit until they hit backstop.

Conductor diameter, solid	4 x 0.6 ... 0.8 mm
Rated voltage	50 V
Rated current	3 A
Strip length	9 mm / 0.35 inch



Dimensions (in mm):



Supply module, with screw connection, 1 Nm tightening torque

Color	Item No.	Pack. Unit
black	893-121	50

Suitable flat cables, see page 308

Approvals, see [www.wago.com](http://www.wago.com)

Coding overview, see page 373

# WINSTA® IDC

## Tap-Off Modules, 2-Pole, for 2 x 1.5 mm² Flat Cables

### 893 Series



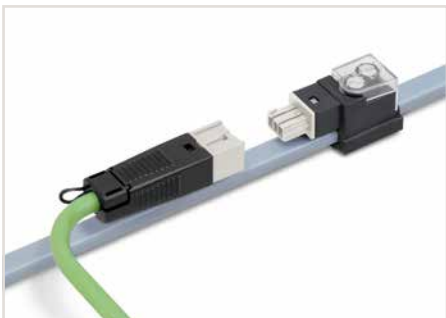
The IDC module can only be mounted if the two codings match each other. Should the IDC module jam during mounting, turn the module by 180° and remount it, flush with the base.



Tighten the screws to connect the flat cable. Observe 1 Nm of tightening torque!



Snap the transparent protective cover onto the module.



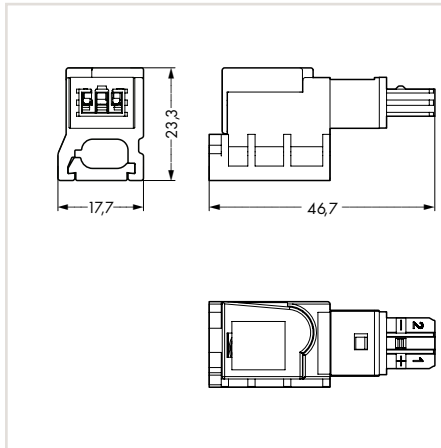
Connect the cable assembly to the module.

Rated voltage	50 V
Rated current	3 A

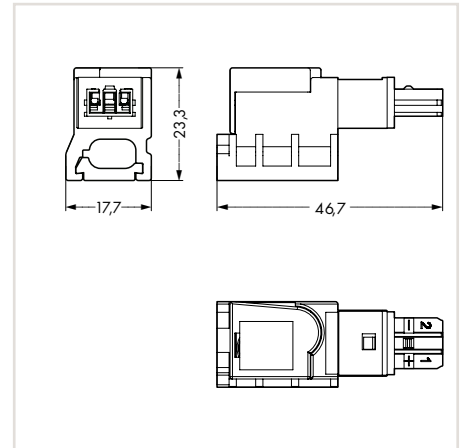
Rated voltage	50 V
Rated current	3 A



Dimensions (in mm):



Dimensions (in mm):



Tap-off module, with screw connection, for connectors and cable assemblies, E-coding, KNX, 1 Nm tightening torque

Color	Item No.	Pack. Unit
● green	893-122	50

Tap-off module, with screw connection, for connectors and cable assemblies, F-coding, 1 Nm tightening torque

Color	Item No.	Pack. Unit
○ light gray	893-129	50

Coding	Marking	Color
E	1+ 2-	● green
F	1+ 2-	○ light gray

# WINSTA® IDC

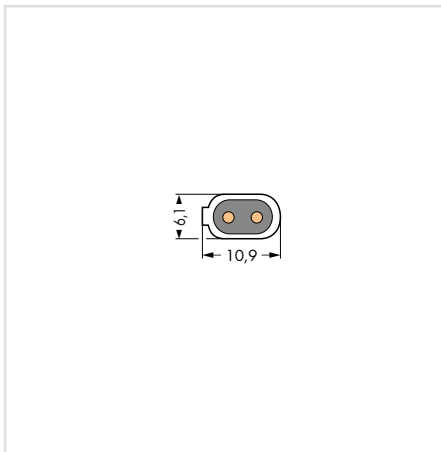
## Flat Cables, 2 x 1.5 mm<sup>2</sup>

### 897 Series

Conductor range	2 x 1.5 mm <sup>2</sup>
Rated voltage	50 V



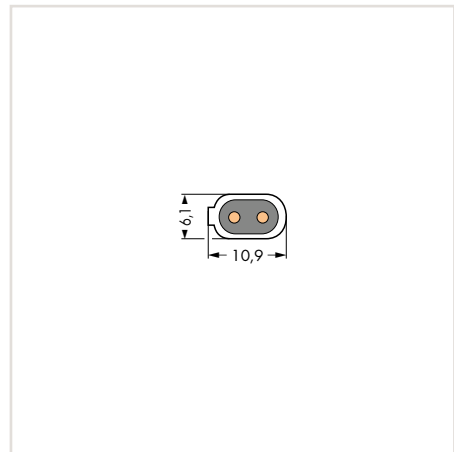
Dimensions (in mm):



Flat cable, 2 x 1.5 mm <sup>2</sup> , PVC	
Color	Item No.
light gray	897-121



Dimensions (in mm):



Flat cable, 2 x 1.5 mm <sup>2</sup> , halogen-free	
Color	Item No.
light gray	897-122

9

897 Series Accessories, see page 362

Approvals, see [www.wago.com](http://www.wago.com)



# WINSTA® IDC

## Supply and Tap-Off Modules, 3-Pole, for 3 x 2.5 mm<sup>2</sup> Flat Cables

### 896 Series



Position the base and tighten screw, if necessary. Insert flat cable accurately. The key in the base must match the groove in the cable insulation.



Cut outgoing feeder cable, completely strip and insert conductors. Tighten screws firmly (observe 0.7 Nm of tightening torque).



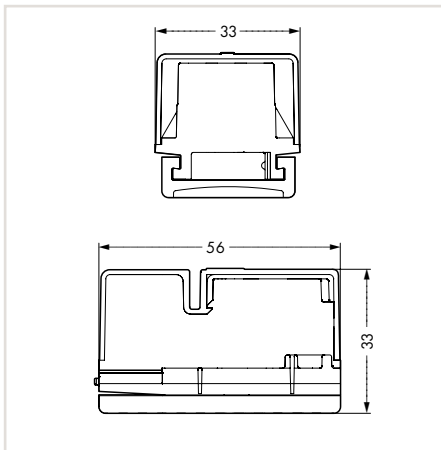
Insert upper part into base until it hits the stop (which will click when engaged). Push down and lock lever. All three cores are contacted simultaneously.

Conductor range	3 x 2.5 mm <sup>2</sup>
Rated voltage	250 V
Rated current	24 A

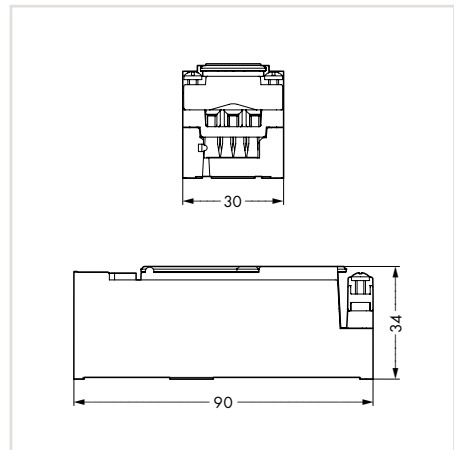
Conductor range	3 x 2.5 mm <sup>2</sup>
Rated voltage	250 V
Rated current	24 A



Dimensions (in mm):



Dimensions (in mm):



Supply module, with screw connection, 0.7 Nm tightening torque, Phillips no. 1 screwdriver

Color	Item No.	Pack. Unit
light gray	896-231	10

Tap-off module, with screw connection, 0.7 Nm tightening torque, Phillips no. 1 screwdriver

Color	Item No.	Pack. Unit
light gray	896-232	10

9

Suitable flat cables, see page 311

Approvals, see www.wago.com

# WINSTA® IDC

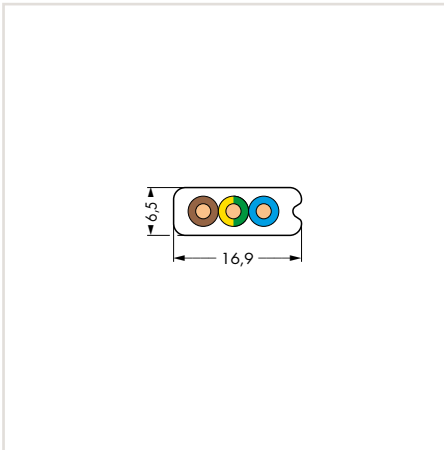
## Flat Cable, 3 x 2.5 mm<sup>2</sup>, Pre-Assembled Tap-Off Module

### 896 / 897 Series

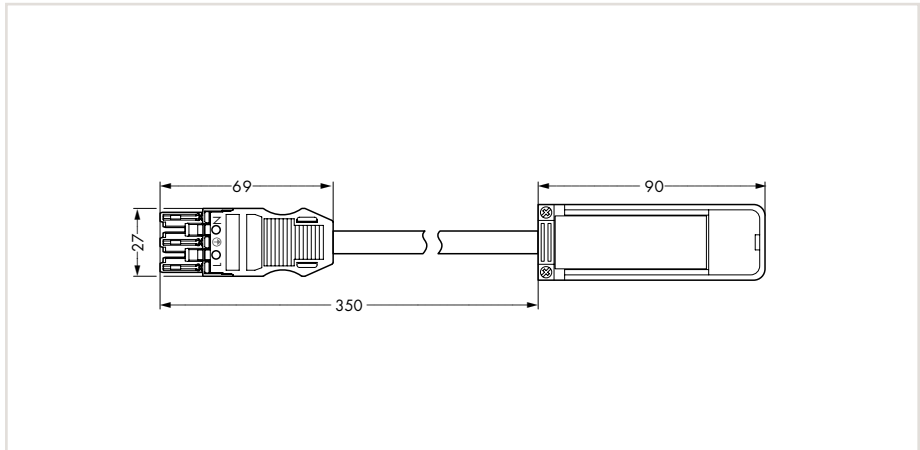
Conductor range	3 x 2.5 mm <sup>2</sup>
Rated voltage	250 V



Dimensions (in mm):



Dimensions (in mm):



Flat cable, 3 x 2.5 mm<sup>2</sup>, PVC

Color	Item No.
light gray	897-231

Tap-off module, fitted with WINSTA® MIDI Socket (A-coding), with H05VV-F cable, 35 cm long, 3 x 2.5 mm<sup>2</sup>

Color	Item No.	Pack. Unit
● black	896-233	10
○ white	896-234	10

Flat cable, 3 x 2.5 mm<sup>2</sup>, halogen-free

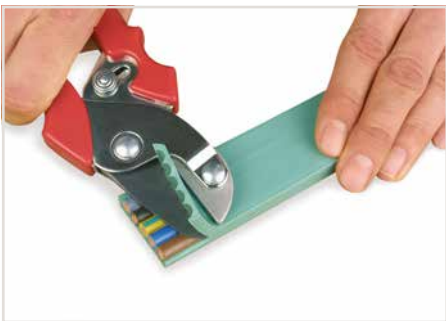
Color	Item No.
light gray	897-232

Coding	Marking	Color
A	L ⊕ N	● black
A	L ⊕ N	○ white

# WINSTA® IDC POWERBLOCK 10, Supply and Tap-Off Modules, 5-Pole, for 5 x 10 mm<sup>2</sup> Flat Cables 895 Series



Cut both sides of the flat cable insulation using a stripping knife (observe 30 mm of cutting length).



Cut off insulation via cutter.



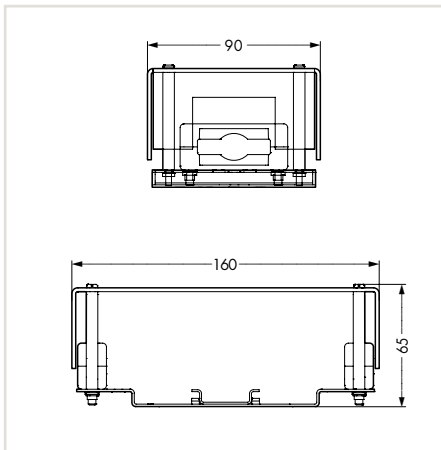
Push end cover fully onto the conductor ends.

Conductor range	5 x 10 mm <sup>2</sup> ① / 5 x 4 mm <sup>2</sup> ②
Rated voltage	750 V ① / 690 V ②
Rated current	57 A ① / 32 A ②

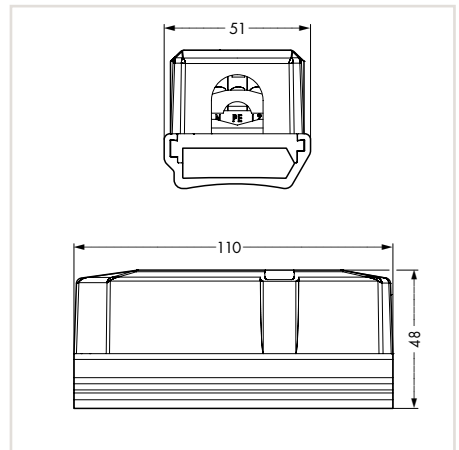
Conductor range	5 x 10 mm <sup>2</sup> ① / 5 x 4 mm <sup>2</sup> ②
Rated voltage	750 V ① / 690 V ②
Rated current	57 A ① / 32 A ②



Dimensions (in mm):



Dimensions (in mm):



Supply module ①, with Push-in CAGE CLAMP®, with TOPJOB® S Rail-Mount Terminal Blocks

Color	Item No.	Pack. Unit
transparent	895-1051	2

Tap-off module ②, with CAGE CLAMP® and spring clamp connection, 0.7 Nm tightening torque

Color	Item No.	Pack. Unit
light gray	895-1052	25

9

Suitable flat cables, see page 313

895 Series Accessories, see page 361

Approvals, see www.wago.com



## WINSTA® IDC

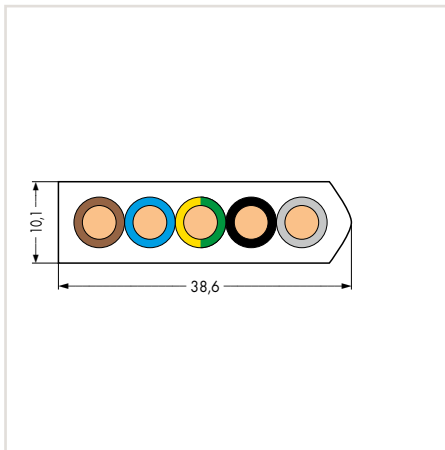
### Flat Cable, 5 x 10 mm<sup>2</sup>, Pre-Assembled Tap-Off Module

#### 895 / 897 Series

Conductor range	5 x 10 mm <sup>2</sup>
Rated voltage	600 V / 1000 V



Dimensions (in mm):



Flat cable, 5 x 10 mm <sup>2</sup> , PVC	
Color	Item No.
light gray	897-1051

Flat cable, 5 x 10 mm <sup>2</sup> , halogen-free	
Color	Item No.
light gray	897-1052

The 895-1652 Tap-Off Module is also available with a pre-assembled WINSTA® MIDI Connector. For item number and delivery time, please contact the factory.

# WINSTA® IDC

## POWERBLOCK 16, Supply and Tap-Off Modules, 5-Pole, for 5 x 16 mm<sup>2</sup> Flat Cables

### 895 Series



Tighten the screws to the stop to connect the flat cable (observe the tightening torque!)



Red contact clips confirm that the contacts are made correctly when they are flush with the terminals.

Conductor range

Rated voltage

Rated current

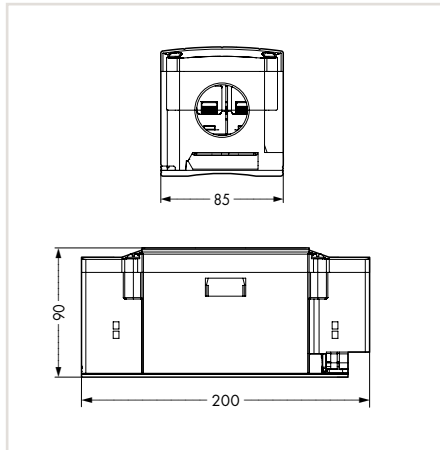
5 x 16 mm<sup>2</sup> ① / 5 x 6 mm<sup>2</sup> ②

690 V

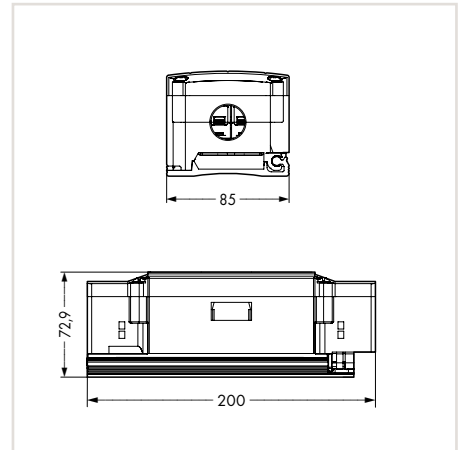
76 A ① / 41 A ②



Dimensions (in mm):



Dimensions (in mm):



Supply module ①, with screw connection, with one 5 x 16 mm<sup>2</sup> input (M40 thread), can also be used as tap-off, 3.5 Nm tightening torque

Color	Item No.	Pack. Unit
black	895-1651	1

Tap-off module ②, with screw connection, with two 5 x 6 mm<sup>2</sup> outputs (M25 thread), 2 Nm tightening torque

Color	Item No.	Pack. Unit
black	895-1652	5

Suitable flat cables, see page 315

895 Series Accessories, see page 361

Approvals, see www.wago.com

## WINSTA® IDC

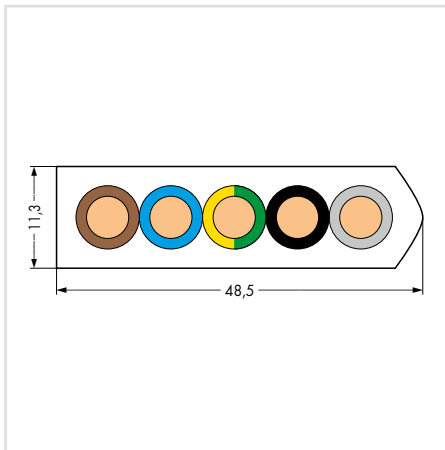
### Flat Cable 5 x 16 mm<sup>2</sup>, Pre-Assembled Tap-Off Module

#### 895 / 897 Series

Conductor range	5 x 16 mm <sup>2</sup>
Rated voltage	600 V / 1000 V



Dimensions (in mm):



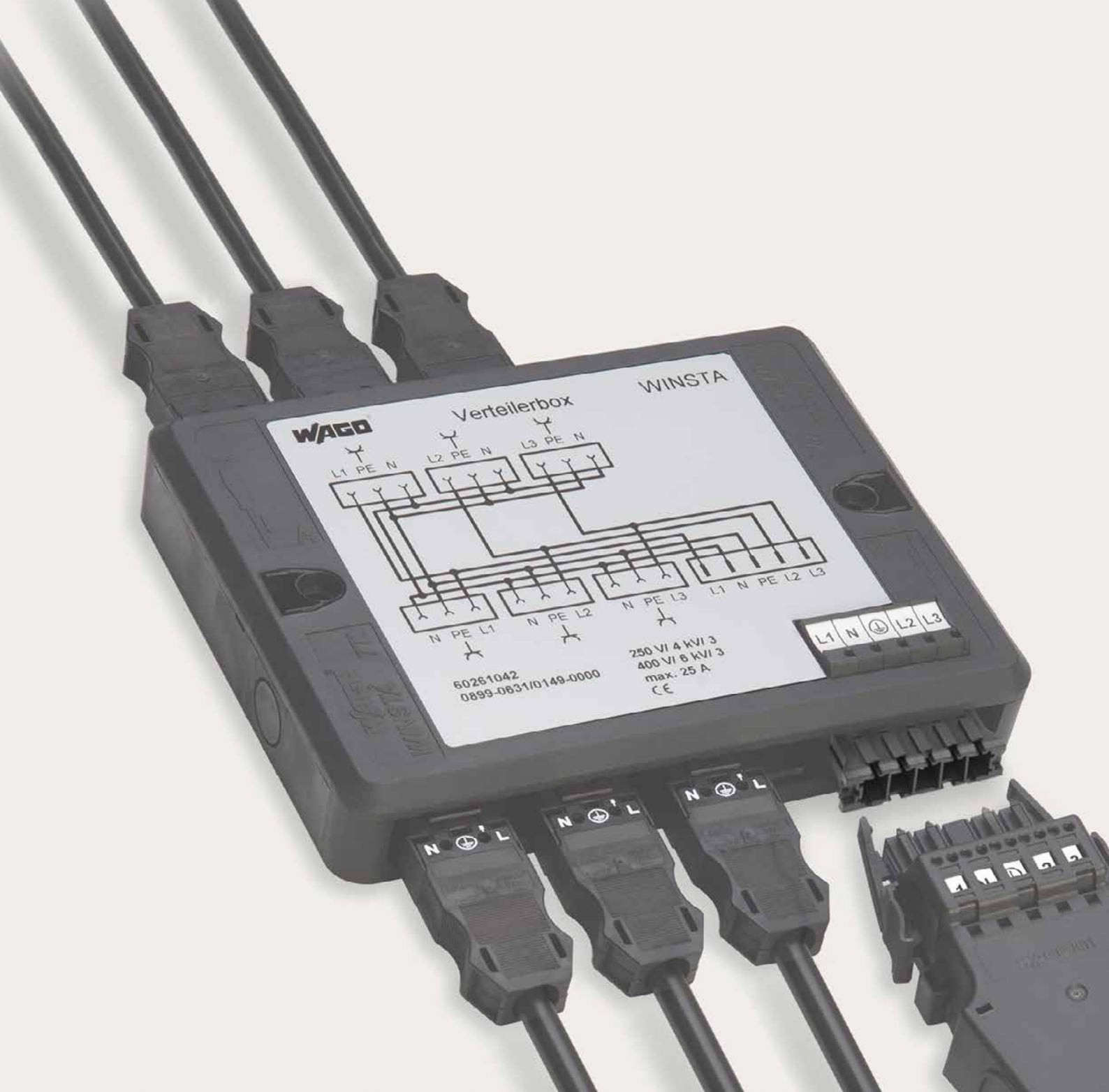
Flat cable, 5 x 16 mm<sup>2</sup>,  
PVC

Color	Item No.
light gray	897-1651

Flat cable, 5 x 16 mm<sup>2</sup>,  
halogen-free

Color	Item No.
light gray	897-1652



The 895-1652 Tap-Off Module is also available with a pre-assembled WINSTA® MAXI Connector. For item number and delivery time, please contact the factory.



## WINSTA® Boxes

## WINSTA® Boxes

### 899 Series

	Page	
	<b>899 Series</b>	
	Single-Phase Current (230 V)	319
	Three-Phase Current (400 V)	323
	Three-Phase to Single-Phase Current (400 V/230 V)	325
	Supply Cable Entry	330
	DALI	334
	SMI	337
	Motion and Presence Detectors	338
	On/Off Switching	341
	Series Switching	342
	Changeover Switching	343
	Crossover Switching	344
	Cable and Device Protection	345
	Overvoltage Protection	345
	Switching with Latching Relay	346
	Distribution Box for Self-Assembly	348

# WINSTA® Boxes

## Description and Installation

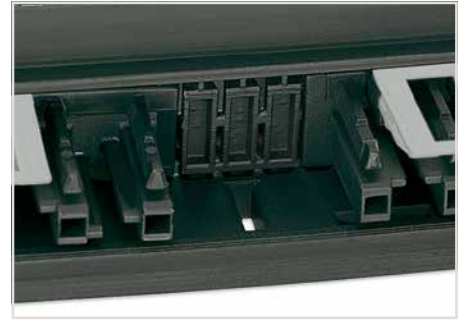
### 899 Series



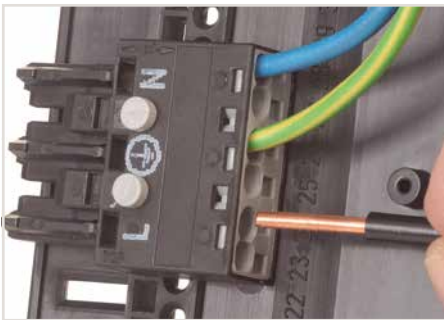
The set includes: 1 bottom, 1 lid, 2 sidewalls and 16 mounting pins.



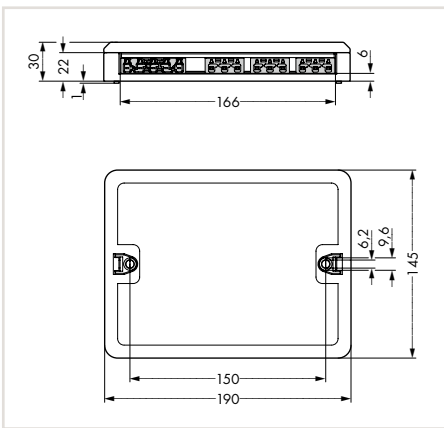
Remove unrequired areas from the sidewalls.



Unassigned slots and spaces are closed by inserting a sidewall.



Using mounting pins to secure WINSTA® MIDI and WINSTA® MIDI special connectors in a distribution box.



Dimensions of a WINSTA® Distribution Box

10



Securing the mounting plate with WINSTA® Distribution Box to the wall (e.g., via stud gun).



Using adapters to install WINSTA® MINI and WINSTA® MIDI special connectors in a distribution box.



Custom-made WINSTA® Distribution Box

## WINSTA® Boxes

### Distribution, Single-Phase Current (230 V)

#### 1 Input, 7 Outputs, A-Coding, WINSTA® MIDI

#### Description

This WINSTA® Distribution Box duplicates the outputs of a 3-pole, single-phase cable.

#### Technical Data

Rated voltage (III / 3)

250 V

Rated surge voltage (III / 3)

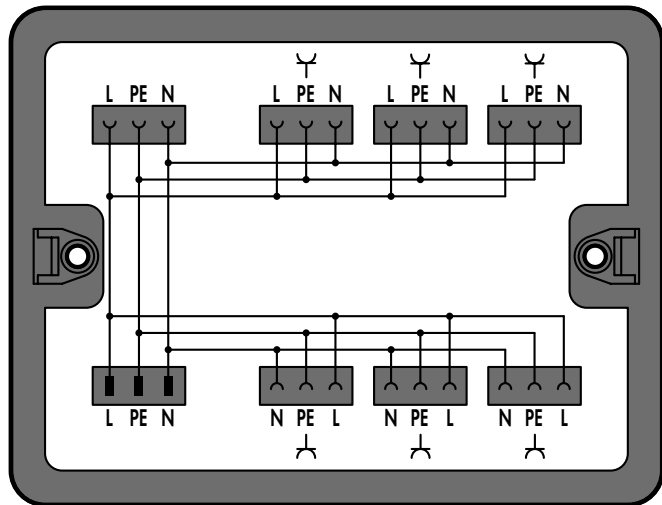
4 kV

Rated current

25 A

Internal wiring

4 mm<sup>2</sup>



Distribution box, single-phase current (230 V)

Color	Item No.	Pack. Unit
● black	899-631/104-000	1

## Distribution, Single-Phase Current (230 V)

### 1 Input, 7 Outputs, A-Coding, WINSTA® MIDI

#### Description

This WINSTA® Distribution Box duplicates the outputs of a 3-pole, single-phase cable.

#### Technical Data

Rated voltage (III / 3)

250 V

Rated surge voltage (III / 3)

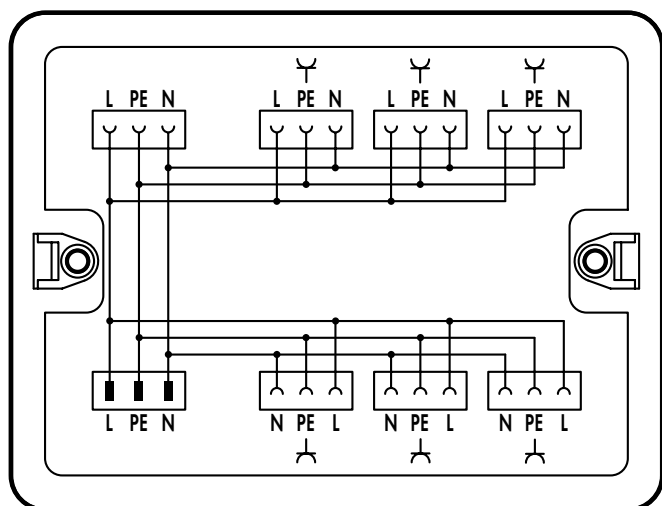
4 kV

Rated current

25 A

Internal wiring

4 mm<sup>2</sup>



Distribution box, single-phase current (230 V)

Color	Item No.	Pack. Unit
○ white	899-681/104-000	1

(III / 3) ≙ Overvoltage category III /  
Pollution degree 3

899 Series Accessories,  
see page 359

Approvals,  
see [www.wago.com](http://www.wago.com)

Coding overview,  
see page 372



**WINSTA® Boxes****Distribution, Single-Phase Current (230 V)****1 Input, 7 Outputs, P-Coding, WINSTA® MIDI****Description**

This WINSTA® Distribution Box duplicates the outputs of a 3-pole, single-phase cable.

**Technical Data**

Rated voltage (III / 3)

250 V

Rated surge voltage (III / 3)

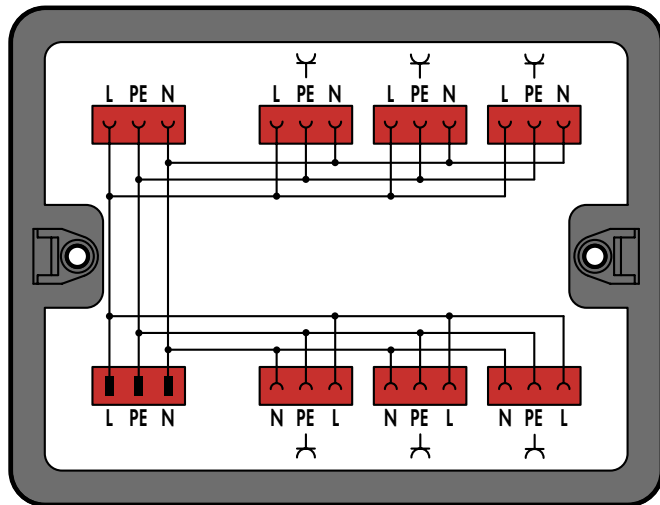
4 kV

Rated current

25 A

Internal wiring

4 mm<sup>2</sup>



Distribution box, single-phase current (230 V)

Color	Item No.	Pack. Unit
● black	899-631/330-000	1

**Distribution, Single-Phase Current (230 V)****1 Input, 6 Outputs, A-Coding, WINSTA® MIDI****Description**

This WINSTA® Distribution Box duplicates the outputs of a 3-pole, single-phase cable.

**Technical Data**

Rated voltage (III / 3)

250 V

Rated surge voltage (III / 3)

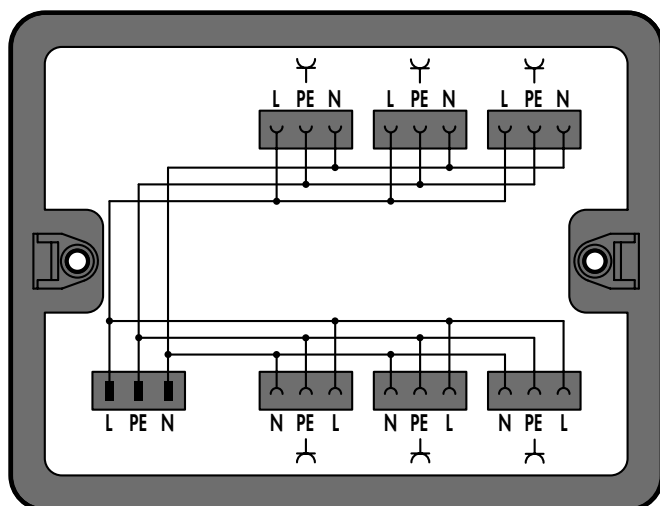
4 kV

Rated current

25 A

Internal wiring

4 mm<sup>2</sup>



(III / 3) ≙ Overvoltage category III /  
Pollution degree 3

899 Series Accessories,  
see page 359

Approvals,  
see www.wago.com

Coding overview,  
see page 372

Distribution box, single-phase current (230 V)

Color	Item No.	Pack. Unit
● black	899-631/140-000	1



## WINSTA® Boxes

### Distribution, Single-Phase Current (230 V)

#### 1 Input, 6 Outputs, A-Coding, WINSTA® MIDI

#### Description

This WINSTA® Distribution Box duplicates the outputs of a 3-pole, single-phase cable.

#### Technical Data

Rated voltage (III / 3)

250 V

Rated surge voltage (III / 3)

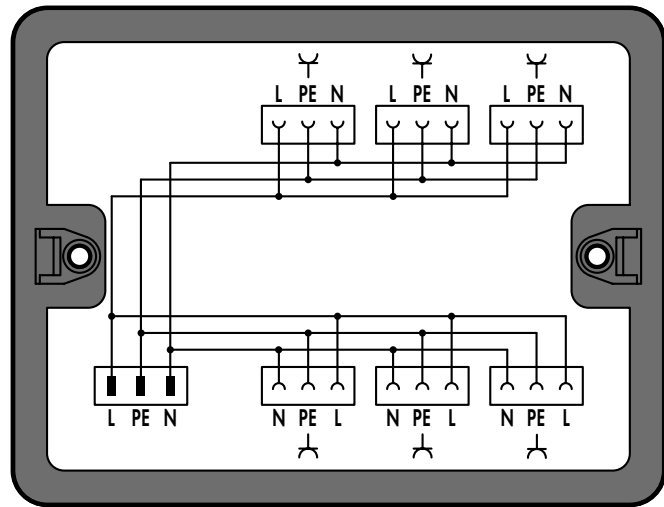
4 kV

Rated current

25 A

Internal wiring

4 mm<sup>2</sup>



Distribution box, single-phase current (230 V)

Color	Item No.	Pack. Unit
● black	899-631/395-000	1

## Distribution, Single-Phase Current (230 V)

### 1 Input, 6 Outputs, P-Coding, WINSTA® MIDI

#### Description

This WINSTA® Distribution Box duplicates the outputs of a 3-pole, single-phase cable.

#### Technical Data

Rated voltage (III / 3)

250 V

Rated surge voltage (III / 3)

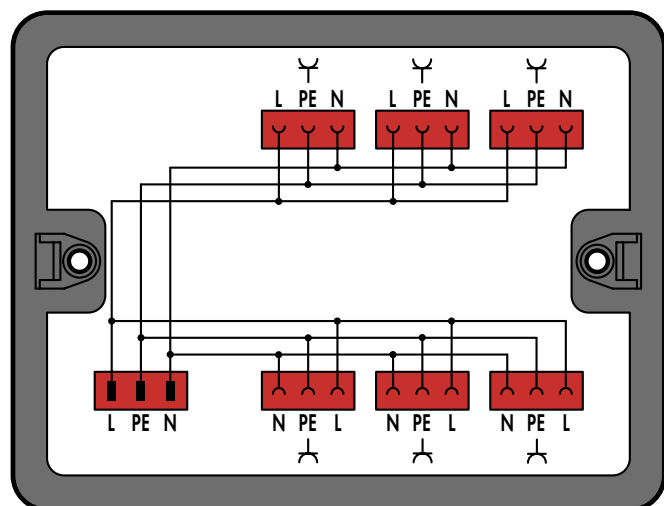
4 kV

Rated current

25 A

Internal wiring

4 mm<sup>2</sup>



Distribution box, single-phase current (230 V)

Color	Item No.	Pack. Unit
● black	899-631/331-000	1

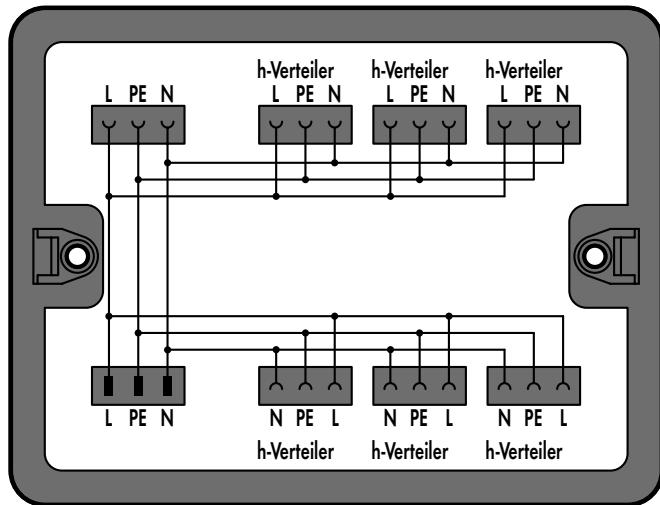
**WINSTA® Boxes****Distribution, Single-Phase Current (230 V)****1 Input, 13 Outputs, A-Coding, WINSTA® MIDI****Description**

This WINSTA® Distribution Box duplicates the outputs of a 3-pole, single-phase cable.

Includes: Six 770-634 h-Distribution Connectors

**Technical Data**

Rated voltage (III / 3)	250 V
Rated surge voltage (III / 3)	4 kV
Rated current	25 A
Internal wiring	4 mm <sup>2</sup>

**Distribution box, single-phase current (230 V)**

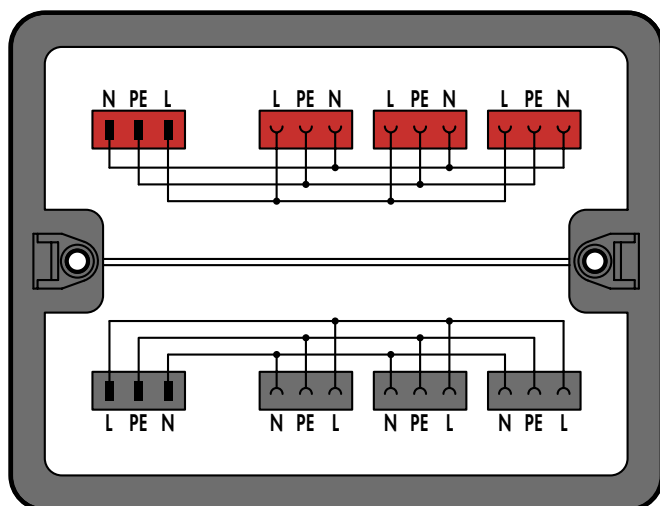
Color	Item No.	Pack. Unit
● black	899-631/334-000	1

**Distribution, Single-Phase Current (230 V)****2 Circuits, A+P-Coding, WINSTA® MIDI****Description**

This WINSTA® Distribution Box features two different 3-pole, single-phase circuits (e.g., for general power, EDP outlets, and UPS systems). Both networks are provided with differently encoded connectors. Three-pole connecting cables are provided for both power input and output.

**Technical Data**

Rated voltage (III / 3)	250 V
Rated surge voltage (III / 3)	4 kV
Rated current	25 A
Internal wiring	4 mm <sup>2</sup>



(III / 3) ≙ Overvoltage category III /  
Pollution degree 3

📖 899 Series Accessories,  
see page 359

📖 Approvals,  
see www.wago.com

📖 Coding overview,  
see page 372

**Distribution box, single-phase current (230 V)**

Color	Item No.	Pack. Unit
● black	899-631/311-000	1

## WINSTA® Boxes

### Distribution, Single-Phase Current (230 V)

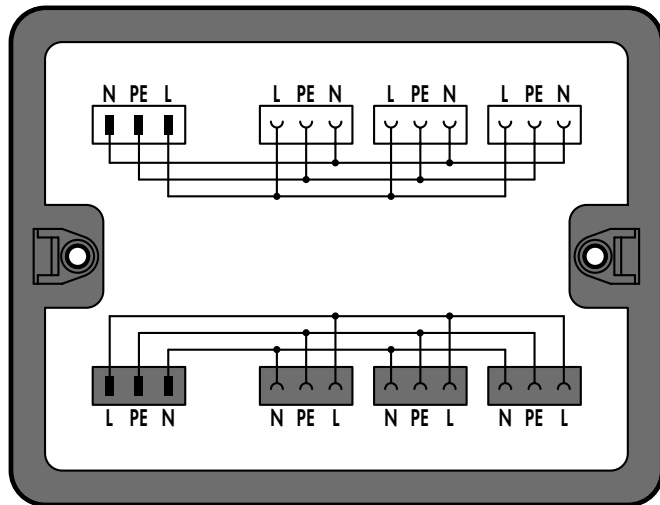
#### 2 Circuits, A-Coding, WINSTA® MIDI

#### Description

This WINSTA® Distribution Box features two different 3-pole, single-phase circuits (e.g., for general power, EDP outlets, and UPS systems). Both networks are provided with differently encoded connectors. Three-pole connecting cables are provided for both power input and output.

#### Technical Data

Rated voltage (III / 3)	250 V
Rated surge voltage (III / 3)	4 kV
Rated current	25 A
Internal wiring	4 mm <sup>2</sup>



Distribution box, single-phase current (230 V)

Color	Item No.	Pack. Unit
● black	899-631/327-000	1

## Distribution, Three-Phase Current (400 V)

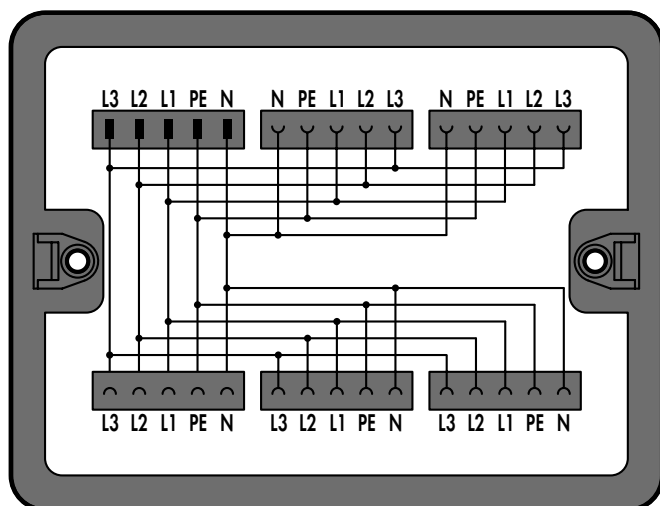
### 1 Input, 5 Outputs, A-Coding, WINSTA® MIDI

#### Description

This WINSTA® Distribution Box duplicates the outputs of a 5-pole, three-phase cable.

#### Technical Data

Rated voltage (III / 3)	400 V
Rated surge voltage (III / 3)	6 kV
Rated current	25 A
Internal wiring	4 mm <sup>2</sup>



Distribution box, three-phase current (400 V)

Color	Item No.	Pack. Unit
● black	899-631/187-000	1

**WINSTA® Boxes****Distribution, Three-Phase Current (400 V)****1 Input, 3 Outputs, A-Coding, WINSTA® MIDI****Description**

This WINSTA® Distribution Box duplicates the outputs of a 5-pole, three-phase cable.

**Technical Data**

Rated voltage (III / 3)

400 V

Rated surge voltage (III / 3)

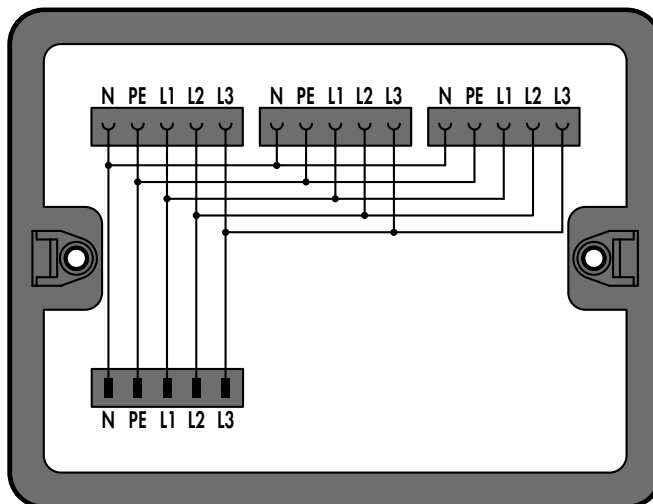
6 kV

Rated current

25 A

Internal wiring

4 mm<sup>2</sup>



Distribution box, three-phase current (400 V)

Color	Item No.	Pack. Unit
● black	899-631/341-000	1

**Distribution, Three-Phase Current (400 V)****2 Circuits, 1 Input (Each), 2 Outputs (Each), A-Coding, WINSTA® MIDI****Description**

This WINSTA® Distribution Box features two different 5-pole, three-phase circuits for both general and uninterruptible power supply in raised-floor boxes. Power supply is performed using a 5-pole connector. For example, both circuits can be clearly identified using black and white connectors or cables.

**Technical Data**

Rated voltage (III / 3)

400 V

Rated surge voltage (III / 3)

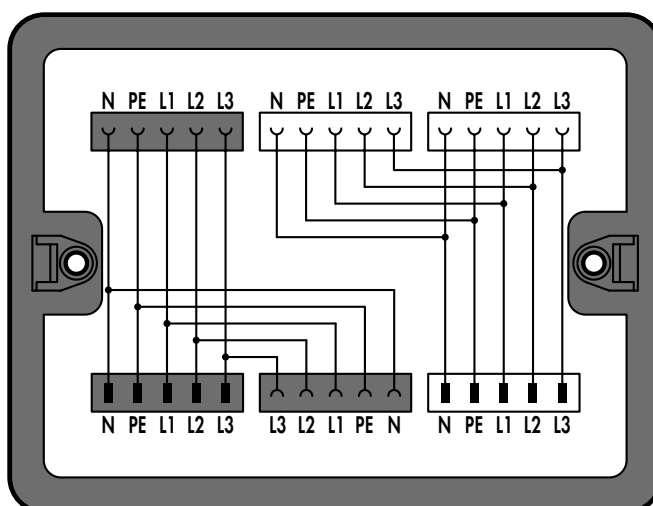
6 kV

Rated current

20 A

Internal wiring

2.5 mm<sup>2</sup>, halogen-free



(III / 3) ≙ Overvoltage category III /  
Pollution degree 3

899 Series Accessories,  
see page 359

Approvals,  
see [www.wago.com](http://www.wago.com)

Coding overview,  
see page 372

Distribution box, three-phase current (400 V)

Color	Item No.	Pack. Unit
● black	899-631/312-000	1

**WINSTA® Boxes****Distribution, Three-Phase to Single-Phase Current (400 V / 230 V)  
Through Wiring (5-Pole), 6 Outputs (3-Pole), A-Coding, WINSTA® MIDI****Description**

The phases L<sub>1</sub>, L<sub>2</sub> and L<sub>3</sub> of the three-phase current are divided into three single-phase circuits with two outputs each.

**Technical Data**

Rated voltage (III / 3)

250 V / 400 V

Rated surge voltage (III / 3)

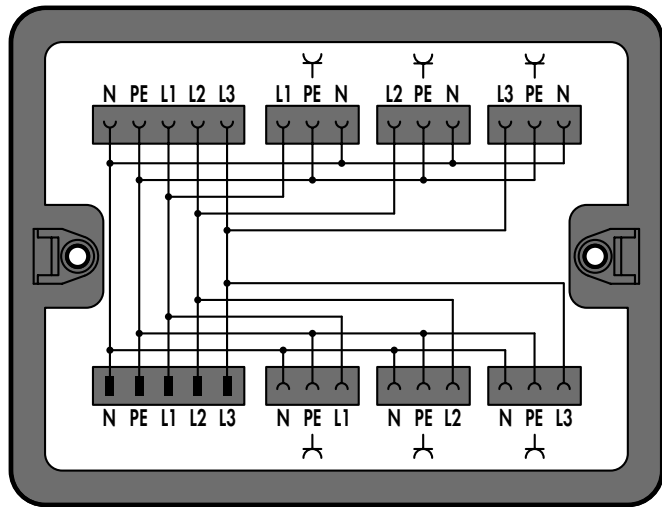
4 kV / 6 kV

Rated current

25 A

Internal wiring

4 mm<sup>2</sup>



Distribution box, three-phase to single-phase current (400 V / 230 V)

Color	Item No.	Pack. Unit
● black	899-631/100-000	1

**Distribution, Three-Phase to Single-Phase Current (400 V / 230 V)  
Through Wiring (5-Pole), 6 Outputs (3-Pole), A-Coding, WINSTA® MIDI****Description**

The phases L<sub>1</sub>, L<sub>2</sub> and L<sub>3</sub> of the three-phase current are divided into three single-phase circuits with two outputs each.

**Technical Data**

Rated voltage (III / 3)

250 V / 400 V

Rated surge voltage (III / 3)

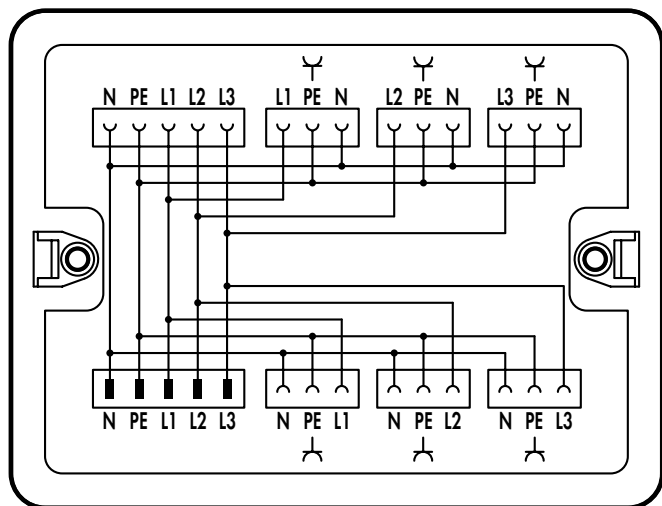
4 kV / 6 kV

Rated current

25 A

Internal wiring

4 mm<sup>2</sup>



Distribution box, three-phase to single-phase current (400 V / 230 V)

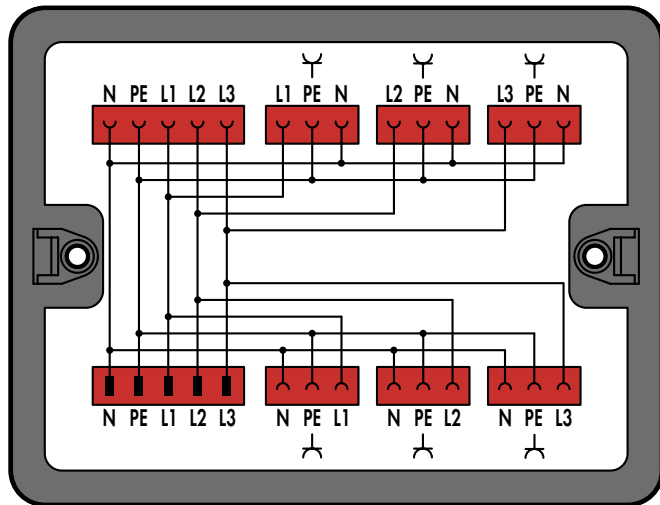
Color	Item No.	Pack. Unit
○ white	899-681/100-000	1

**WINSTA® Boxes****Distribution, Three-Phase to Single-Phase Current (400 V / 230 V)  
Through Wiring (5-Pole), 6 Outputs (3-Pole), P-Coding, WINSTA® MIDI****Description**

The phases L<sub>1</sub>, L<sub>2</sub> and L<sub>3</sub> of the three-phase current are divided into three single-phase circuits with two outputs each.

**Technical Data**

Rated voltage (III / 3)	250 V / 400 V
Rated surge voltage (III / 3)	4 kV / 6 kV
Rated current	25 A
Internal wiring	4 mm <sup>2</sup>



Distribution box, three-phase to single-phase current (400 V / 230 V)

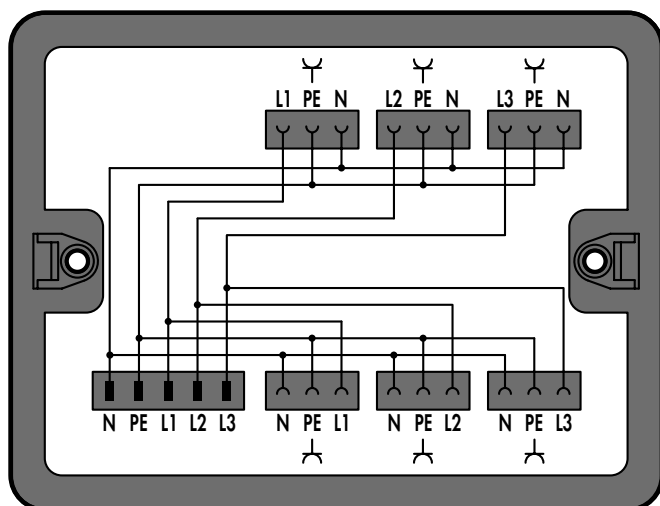
Color	Item No.	Pack. Unit
● black	899-631/186-000	1

**Distribution, Three-Phase Current (400 V)  
1 Input (5-Pole), 6 Outputs (3-Pole), A-Coding, WINSTA® MIDI****Description**

The phases L<sub>1</sub>, L<sub>2</sub> and L<sub>3</sub> of the three-phase current are divided into three single-phase circuits with two outputs each.

**Technical Data**

Rated voltage (III / 3)	250 V / 400 V
Rated surge voltage (III / 3)	4 kV / 6 kV
Rated current	25 A
Internal wiring	4 mm <sup>2</sup>



(III / 3) ≙ Overvoltage category III /  
Pollution degree 3

899 Series Accessories,  
see page 359

Approvals,  
see www.wago.com

Coding overview,  
see page 372

Distribution box, three-phase to single-phase current (400 V / 230 V)

Color	Item No.	Pack. Unit
● black	899-631/105-000	1

**WINSTA® Boxes****Distribution, Three-Phase to Single-Phase Current (400 V / 230 V)  
1 Input (5-Pole), 6 Outputs (3-Pole), A-Coding, WINSTA® MIDI****Description**

The phases L<sub>1</sub>, L<sub>2</sub> and L<sub>3</sub> of the three-phase current are divided into three single-phase circuits with two outputs each.

**Technical Data**

Rated voltage (III / 3)

250 V / 400 V

Rated surge voltage (III / 3)

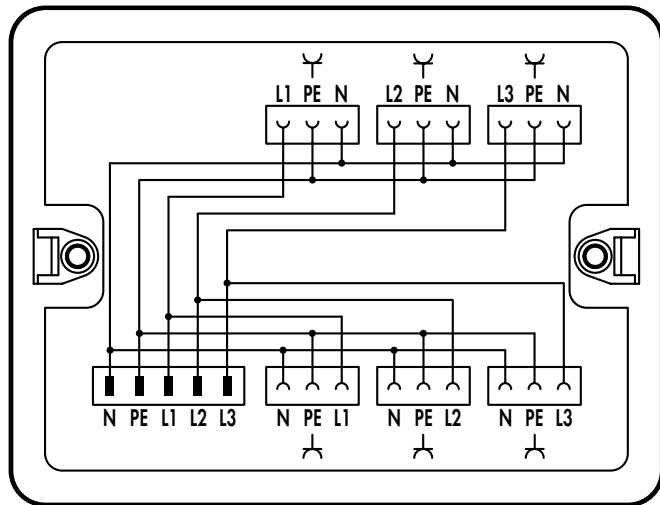
4 kV / 6 kV

Rated current

25 A

Internal wiring

4 mm<sup>2</sup>



Distribution box, three-phase to single-phase current (400 V / 230 V)

Color	Item No.	Pack. Unit
○ white	899-681/105-000	1

**Distribution, Three-Phase to Single-Phase Current (400 V / 230 V)  
Through Wiring (5-Pole), 3 Outputs (3-Pole), A-Coding, WINSTA® MIDI****Description**

The phases L<sub>1</sub>, L<sub>2</sub> and L<sub>3</sub> of the three-phase current are divided into three single-phase circuits with two outputs each.

**Technical Data**

Rated voltage (III / 3)

250 V / 400 V

Rated surge voltage (III / 3)

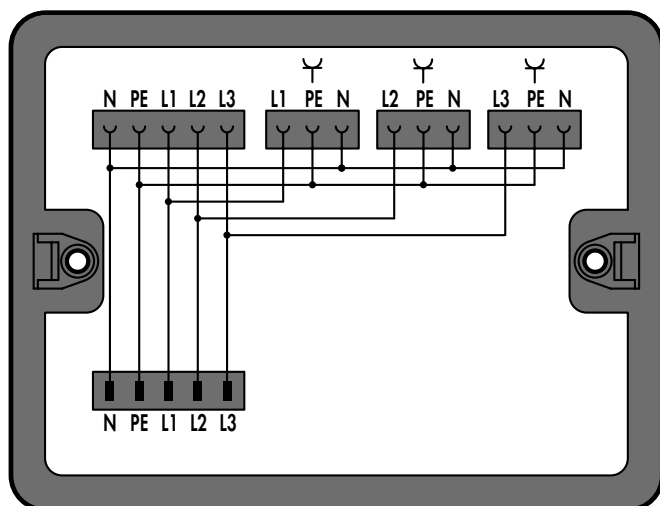
4 kV / 6 kV

Rated current

25 A

Internal wiring

4 mm<sup>2</sup>



Distribution box, three-phase to single-phase current (400 V / 230 V)

Color	Item No.	Pack. Unit
● black	899-631/346-000	1

## WINSTA® Boxes

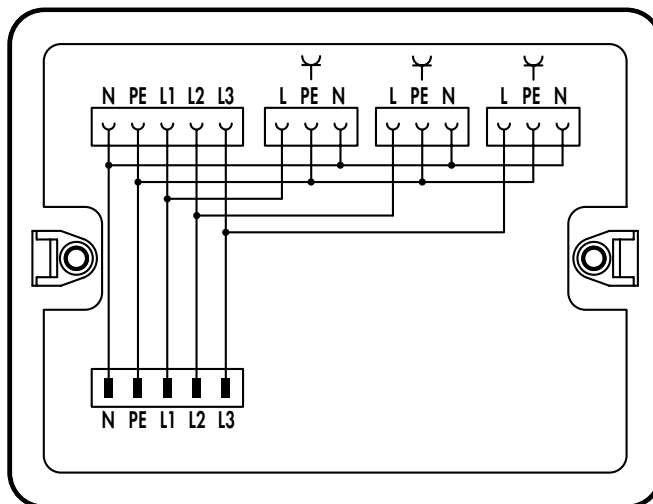
### Distribution, Three-Phase to Single-Phase Current (400 V / 230 V) Through Wiring (5-Pole), 3 Outputs (3-Pole), A-Coding, WINSTA® MIDI

#### Description

The phases L<sub>1</sub>, L<sub>2</sub> and L<sub>3</sub> of the three-phase current are divided into three single-phase circuits.

#### Technical Data

Rated voltage (III / 3)	250 V / 400 V
Rated surge voltage (III / 3)	4 kV / 6 kV
Rated current	20 A
Internal wiring	2.5 mm <sup>2</sup>



Distribution box, three-phase to single-phase current (400 V / 230 V)		
Color	Item No.	Pack. Unit
○ white	899-681/142-000	1

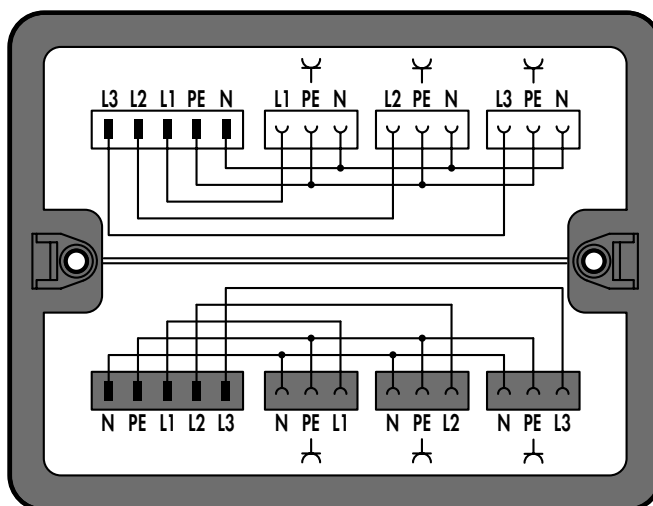
### Distribution, Three-Phase to Single-Phase Current (400 V / 230 V) 2 Circuits, 1 Input (Each), 3 Outputs (Each), A-Coding, WINSTA® MIDI

#### Description

This WINSTA® Distribution Box divides two 3-phase circuits into three single-phase circuits each (e.g., 230 V and EDP outlets).

#### Technical Data

Rated voltage (III / 3)	250 V / 400 V
Rated surge voltage (III / 3)	4 kV / 6 kV
Rated current	25 A
Internal wiring	4 mm <sup>2</sup>



(III / 3) ≙ Overvoltage category III / Pollution degree 3

899 Series Accessories, see page 359

Approvals, see www.wago.com

Coding overview, see page 372

Distribution box, three-phase to single-phase current (400 V / 230 V)		
Color	Item No.	Pack. Unit
● black	899-631/349-000	1



## WINSTA® Boxes

### Distribution, Three-Phase to Single-Phase Current (400 V / 230 V) 2 Circuits, 1 Input (Each), 3 Outputs (Each), A+P-Coding, WINSTA® MIDI

#### Description

This WINSTA® Distribution Box divides two 3-phase circuits into three single-phase circuits each (e.g., 230 V and EDP outlets).

#### Technical Data

Rated voltage (III / 3)

250 V / 400 V

Rated surge voltage (III / 3)

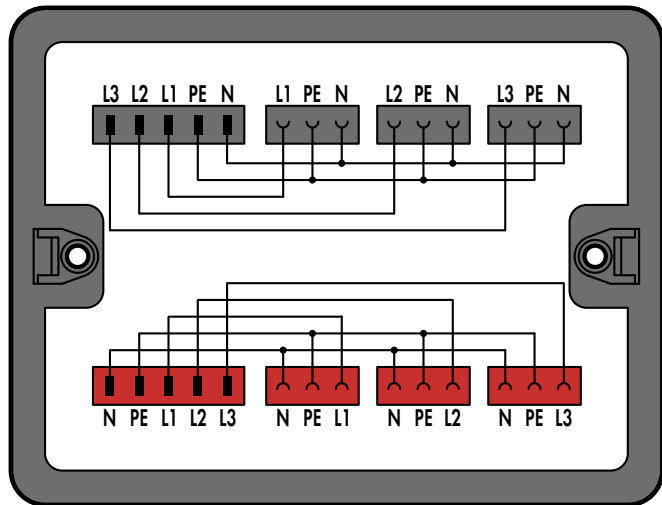
4 kV / 6 kV

Rated current

25 A

Internal wiring

4 mm<sup>2</sup>



Distribution box, three-phase to single-phase current (400 V / 230 V)

Color	Item No.	Pack. Unit
● black	899-631/302-000	1

### Distribution, Three-Phase to Single-Phase Current (400 V / 230 V) 2 Circuits, 1 Input (Each), 3 Outputs (Each), A+P-Coding, WINSTA® MIDI

#### Description

This WINSTA® Distribution Box divides two 3-phase circuits into three single-phase circuits each (e.g., 230 V and EDP outlets).

#### Technical Data

Rated voltage (III / 3)

250 V / 400 V

Rated surge voltage (III / 3)

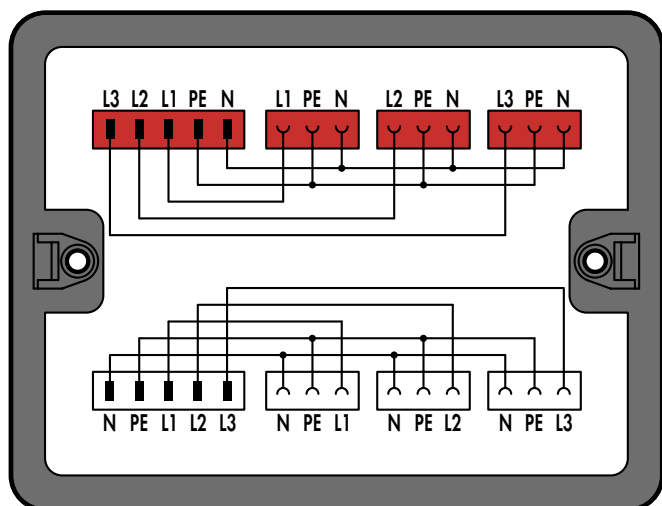
4 kV / 6 kV

Rated current

25 A

Internal wiring

4 mm<sup>2</sup>



Distribution box, three-phase to single-phase current (400 V / 230 V)

Color	Item No.	Pack. Unit
● black	899-631/350-000	1

**WINSTA® Boxes****Distribution, Three-Phase to Single-Phase Current (400 V / 230 V)**

1 Input (5-Pole), 6 Outputs (3-Pole), A-Coding, WINSTA® MIDI, WINSTA® MAXI

**Description**

This WINSTA® Distribution Box divides a 3-phase circuit into three single-phase circuits with two outputs each. Power supply is performed via 6 mm<sup>2</sup> cable equipped with a WINSTA® MAXI Connector.

**Technical Data**

Rated voltage (III / 3)

250 V / 400 V

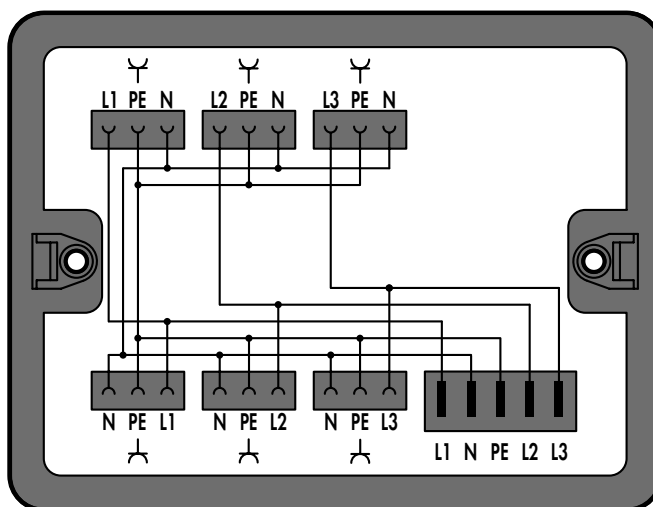
Rated surge voltage (III / 3)

4 kV / 6 kV

Rated current

25 A

Internal wiring

4 mm<sup>2</sup>

Distribution box, three-phase to single-phase current (400 V / 230 V)

Color	Item No.	Pack. Unit
● black	899-631/149-000	1

**Supply Cable Entry, Distribution, Three-Phase to Single-Phase Current (400 V/230 V)**

1 Input (Terminal Strip, 5-Pole), 6 Outputs (3-Pole), A-Coding, WINSTA® MIDI

**Description**

Power supply is performed via standard 5-pole terminal strip. The phases L<sub>1</sub>, L<sub>2</sub> and L<sub>3</sub> of the three-phase current are divided into three single-phase circuits with two outputs each.

Includes: One cable clamp and two mounting screws

**Technical Data**

Rated voltage (III / 3)

250 V / 400 V

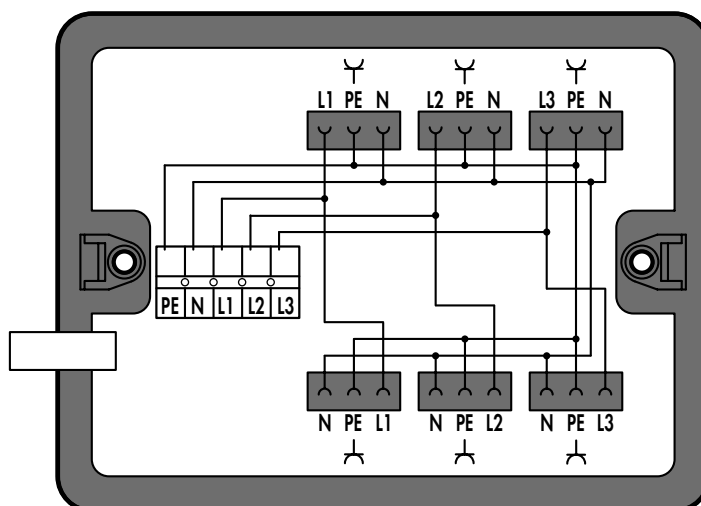
Rated surge voltage (III / 3)

4 kV / 6 kV

Rated current

25 A

Internal wiring

4 mm<sup>2</sup>

(III / 3) ≙ Overvoltage category III /  
Pollution degree 3

899 Series Accessories,  
see page 359

Approvals,  
see www.wago.com

Coding overview,  
see page 372

Distribution box, supply cable entry, three-phase to single-phase current (400 V/230 V)

Color	Item No.	Pack. Unit
● black	899-631/338-000	1

**WINSTA® Boxes****Supply Cable Entry, Distribution, Three-Phase to Single-Phase Current (400 V / 230 V)  
1 Input (Terminal Strip, 5-Pole), 6 Outputs (3-Pole), A-Coding, WINSTA® MIDI****Description**

Power supply is performed via standard 5-pole terminal strip. The phases L<sub>1</sub>, L<sub>2</sub> and L<sub>3</sub> of the three-phase current are divided into three single-phase circuits with two outputs each.

Includes: One cable clamp and two mounting screws

**Technical Data**

Rated voltage (III / 3)

250 V / 400 V

Rated surge voltage (III / 3)

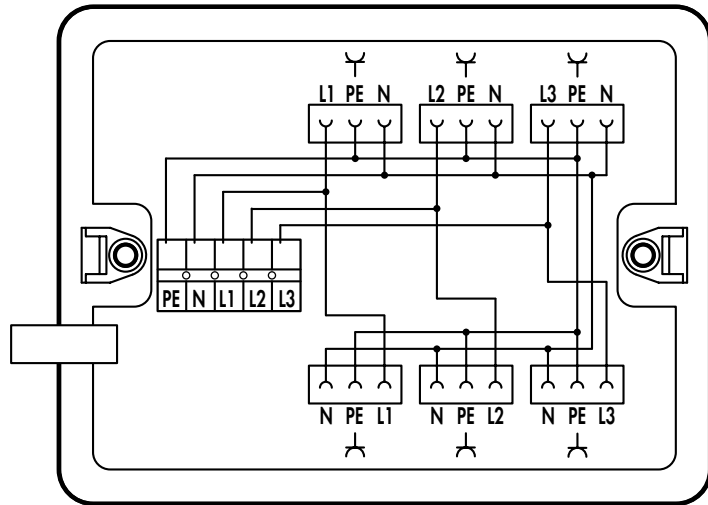
4 kV / 6 kV

Rated current

25 A

Internal wiring

4 mm<sup>2</sup>



Distribution box, supply cable entry, three-phase to single-phase current (400 V/230 V)

Color	Item No.	Pack. Unit
○ white	899-681/123-000	1

**Supply Cable Entry, Distribution, Three-Phase to Single-Phase Current (400 V/230 V)  
1 Input (Terminal Strip, 5-Pole), 6 Outputs (3-Pole), P-Coding, WINSTA® MIDI****Description**

Power supply is performed via standard 5-pole terminal strip. The phases L<sub>1</sub>, L<sub>2</sub> and L<sub>3</sub> of the three-phase current are divided into three single-phase circuits with two outputs each.

Includes: One cable clamp and two mounting screws

**Technical Data**

Rated voltage (III / 3)

250 V / 400 V

Rated surge voltage (III / 3)

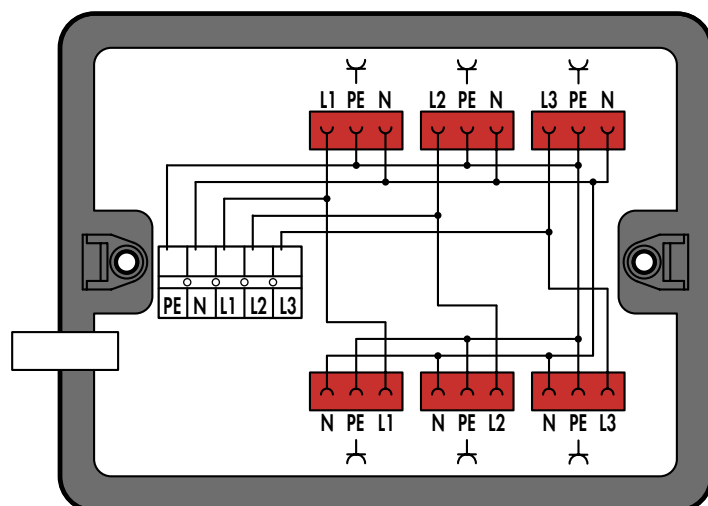
4 kV / 6 kV

Rated current

25 A

Internal wiring

4 mm<sup>2</sup>



Distribution box, supply cable entry, three-phase to single-phase current (400 V/230 V)

Color	Item No.	Pack. Unit
● black	899-631/339-000	1

## WINSTA® Boxes

### Supply Cable Entry, Three Networks

#### Power Supply (7-Pole), 6 Outputs (3-Pole), A-Coding, WINSTA® MIDI

##### Description

Power supply is performed directly via connectors using a 7-pole cable. Each phase of the 3-phase current are divided into two outputs. Power supply is performed to the left or to the right.

Includes: Two cable clamps and four mounting screws

##### Technical Data

Rated voltage (III / 3)

250 V / 400 V

Rated surge voltage (III / 3)

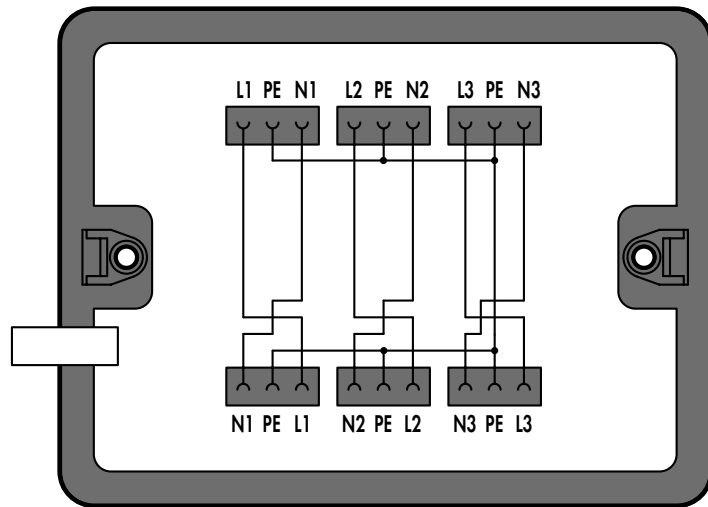
4 kV / 6 kV

Rated current

25 A

Internal wiring

4 mm<sup>2</sup>



Distribution box, supply cable entry, three networks

Color	Item No.	Pack. Unit
● black	899-631/450-000	1

### Supply Cable Entry, Three Networks

#### Power Supply (7-Pole), 6 Outputs (3-Pole), A-Coding, WINSTA® MIDI

##### Description

Power supply is performed directly via connectors using a 7-pole cable. Each phase of the 3-phase current are divided into two outputs. Power supply is performed to the left or to the right.

Includes: Two cable clamps and four mounting screws

##### Technical Data

Rated voltage (III / 3)

250 V / 400 V

Rated surge voltage (III / 3)

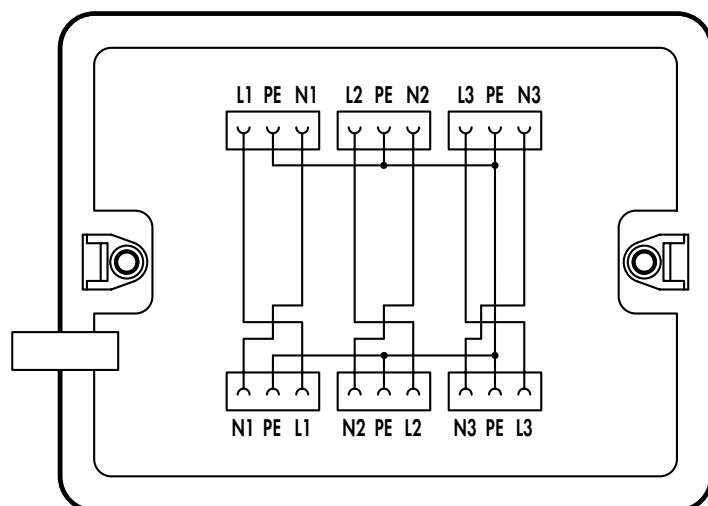
4 kV / 6 kV

Rated current

25 A

Internal wiring

4 mm<sup>2</sup>



Distribution box, supply cable entry, three networks

Color	Item No.	Pack. Unit
○ white	899-681/450-000	1

(III / 3) ≙ Overvoltage category III /  
Pollution degree 3

899 Series Accessories,  
see page 359

Approvals,  
see [www.wago.com](http://www.wago.com)

Coding overview,  
see page 372

## WINSTA® Boxes

### Supply Cable Entry

#### Power Supply (10-Pole), 4 Outputs (4-Pole), A-Coding, WINSTA® MIDI

##### Description

Power supply is performed via 10-pole cable on a terminal strip.

Application example:  
Blind drives control

Includes: One cable clamp and two mounting screws

##### Technical Data

Rated voltage (III / 3)

250 V / 400 V

Rated surge voltage (III / 3)

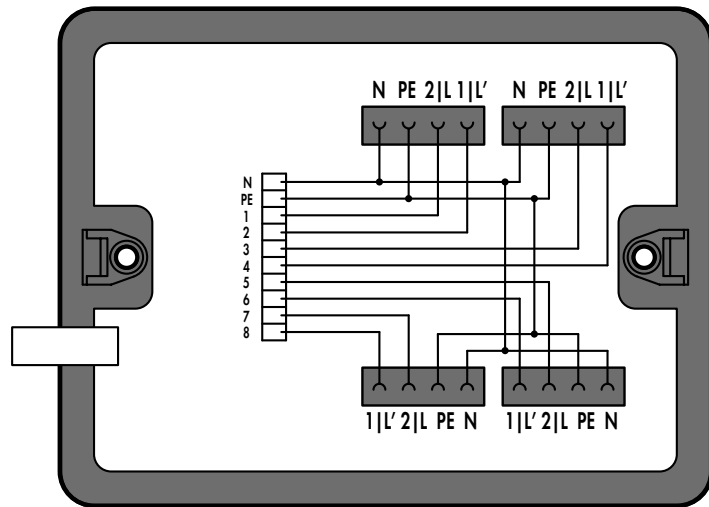
4 kV / 6 kV

Rated current

16 A

Internal wiring

1.5 mm<sup>2</sup>



##### Distribution box, supply cable entry

Color	Item No.	Pack. Unit
● black	899-631/453-000	1

### Supply Cable Entry

#### Power Supply (10-Pole), 8 Outputs (2-Pole), B-Coding, WINSTA® MIDI special

##### Description

Power supply is performed via 10-pole cable on a terminal strip.

Application example:  
Valves control

Includes: One cable clamp and two mounting screws

##### Technical Data

Rated voltage (III / 3)

250 V

Rated surge voltage (III / 3)

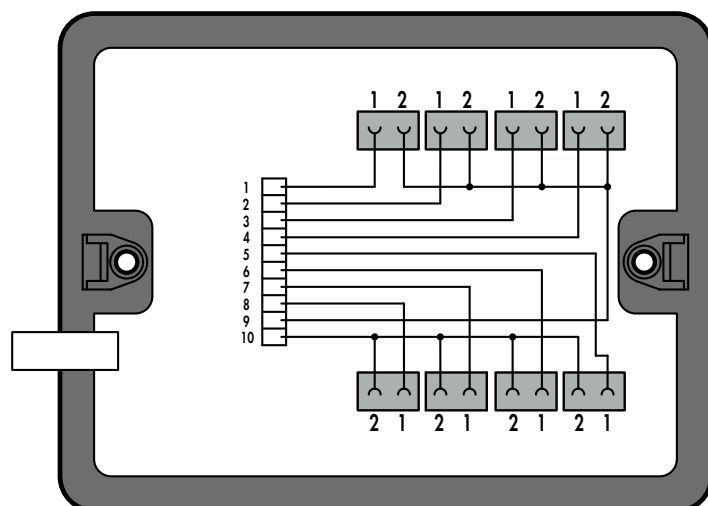
4 kV

Rated current

6 A

Internal wiring

0.75 mm<sup>2</sup>



##### Distribution box, supply cable entry

Color	Item No.	Pack. Unit
● black	899-631/454-000	1

**WINSTA® Boxes****Distribution, 230 V + DALI**

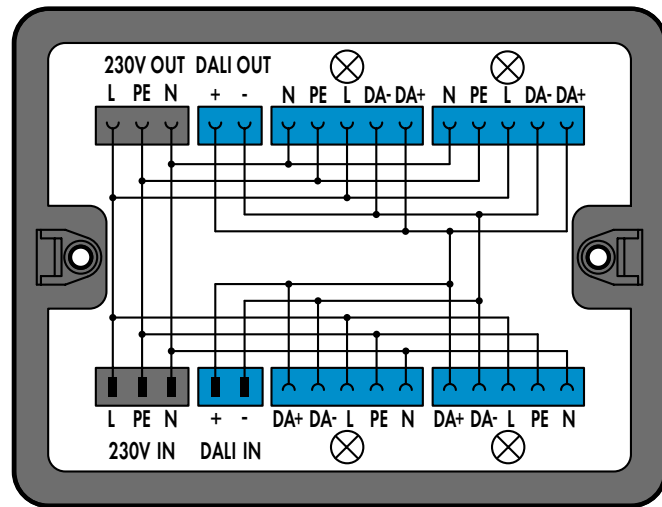
2 Inputs, 6 Outputs, A+I-Coding, WINSTA® MINI, WINSTA® MIDI

**Description**

This WINSTA® Distribution Box connects to 5-pole DALI lights. Power supply is performed via two cables (230 V and DALI). Both cables are combined into four outputs.

**Technical Data**

Rated voltage (III / 3)	250 V
Rated surge voltage (III / 3)	4 kV
Rated current	25 A / 16 A
Internal wiring	4 mm <sup>2</sup> / 1.5 mm <sup>2</sup>



Distribution box, distribution, 230 V + DALI

Color	Item No.	Pack. Unit
● black	899-631/181-000	1

**Distribution, 400 V + DALI**

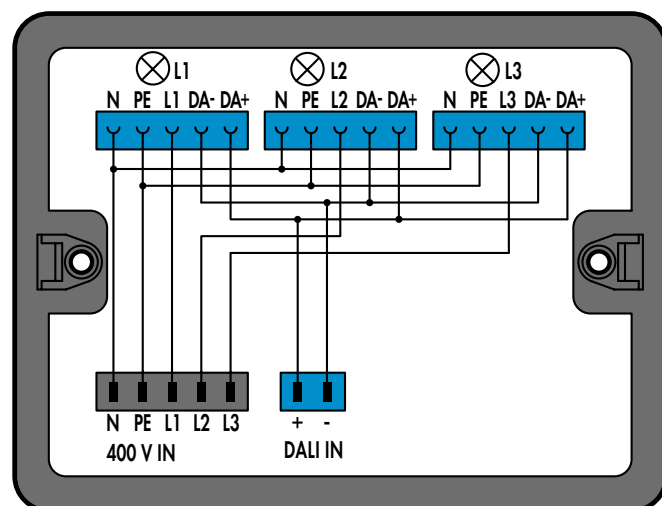
2 Inputs, 6 Outputs, A+I-Coding, WINSTA® MINI, WINSTA® MIDI

**Description**

This WINSTA® Distribution Box combines the L1, L2 and L3 phases of the 3-phase current with the DALI signal (separate cable).

**Technical Data**

Rated voltage (III / 3)	250 V / 400 V
Rated surge voltage (III / 3)	4 kV / 6 kV
Rated current	25 A / 16 A
Internal wiring	4 mm <sup>2</sup> / 1.5 mm <sup>2</sup>



Distribution box, distribution, 400 V + DALI

Color	Item No.	Pack. Unit
● black	899-631/354-000	1

(III / 3) ≙ Overvoltage category III /  
Pollution degree 3

899 Series Accessories,  
see page 359

Approvals,  
see www.wago.com

Coding overview,  
see page 372

## WINSTA® Boxes

### Distribution, 230 V + DALI

#### 2 Inputs, 4 Outputs, (A+I)-Coding, WINSTA® MINI, WINSTA® MIDI

##### Description

This WINSTA® Distribution Box combines the L1, L2 and L3 phases of the 3-phase current with the DALI signal (separate cable).

##### Technical Data

Rated voltage (III / 3)

250 V / 400 V

Rated surge voltage (III / 3)

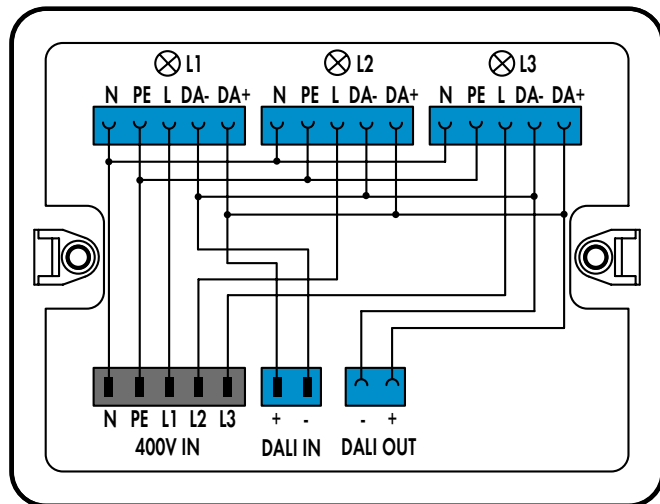
4 kV / 6 kV

Rated current

25 A / 16 A

Internal wiring

4 mm<sup>2</sup> / 1.5 mm<sup>2</sup>



Distribution box, distribution, 400 V + DALI

Color	Item No.	Pack. Unit
○ white	899-681/129-000	1

### Distribution, 400 V + DALI

#### 2 Inputs, 5 Outputs, A+I-Coding, WINSTA® MINI, WINSTA® MIDI

##### Description

This WINSTA® Distribution Box combines the L1, L2 and L3 phases of the 3-phase current with the DALI signal (separate cable).

##### Technical Data

Rated voltage (III / 3)

250 V / 400 V

Rated surge voltage (III / 3)

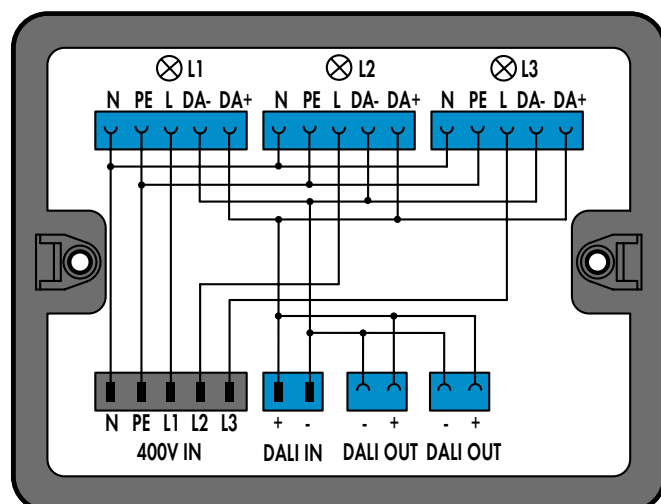
4 kV / 6 kV

Rated current

20 A / 16 A

Internal wiring

2.5 mm<sup>2</sup> / 1.5 mm<sup>2</sup>



Distribution box, distribution, 400 V + DALI

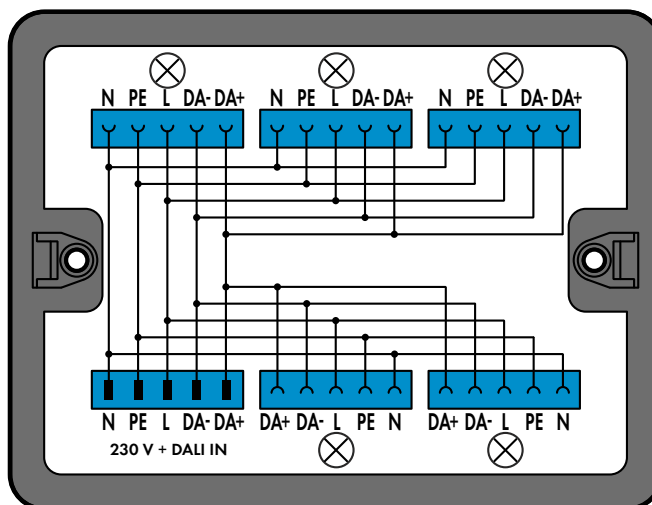
Color	Item No.	Pack. Unit
● black	899-631/455-000	1

**WINSTA® Boxes****Distribution, 230 V + DALI****1 Input, 5 Outputs, I-Coding, WINSTA® MIDI****Description**

This WINSTA® Distribution Box connects to 5-pole DALI lights.  
Both 230 V power supply and DALI bus for light scene control are combined into a single line.

**Technical Data**

Rated voltage (III / 3)	250 V
Rated surge voltage (III / 3)	4 kV
Rated current	20 A
Internal wiring	2.5 mm <sup>2</sup>



Distribution box, distribution, 230 V + DALI

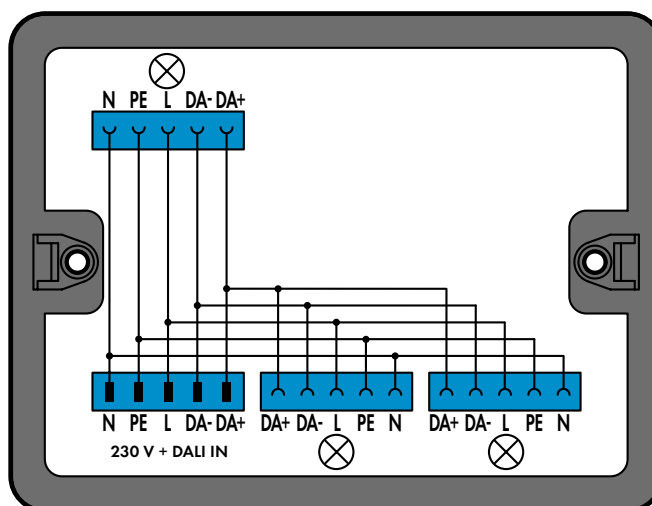
Color	Item No.	Pack. Unit
● black	899-631/313-000	1

**Distribution, 230 V + DALI****1 Input, 3 Outputs, I-Coding, WINSTA® MIDI****Description**

This WINSTA® Distribution Box connects to three DALI lights.

**Technical Data**

Rated voltage (III / 3)	250 V
Rated surge voltage (III / 3)	4 kV
Rated current	20 A
Internal wiring	2.5 mm <sup>2</sup>



(III / 3) ≙ Overvoltage category III /  
Pollution degree 3

📖 899 Series Accessories,  
see page 359

📖 Approvals,  
see www.wago.com

📖 Coding overview,  
see page 372

Distribution box, distribution, 230 V + DALI

Color	Item No.	Pack. Unit
● black	899-631/319-000	1



## WINSTA® Boxes

### Distribution, 230 V + SMI

#### 2 Inputs, 6 Outputs, A+B-Coding

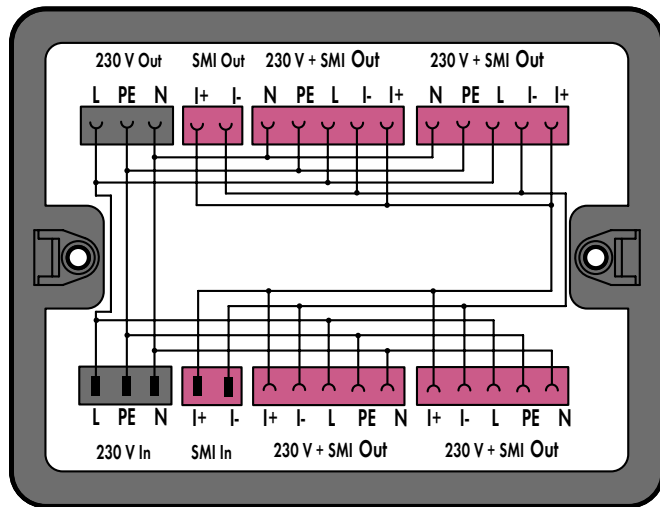
#### Description

This WINSTA® Distribution Box combines the L1, L2 and L3 phases of the 3-phase current with the DALI signal (separate cable).

WINSTA® MINI special  
WINSTA® MIDI  
WINSTA® MIDI special

#### Technical Data

Rated voltage (III / 3)	250 V
Rated surge voltage (III / 3)	4 kV
Rated current	25 A / 16 A
Internal wiring	4 mm <sup>2</sup> / 1.5 mm <sup>2</sup>



Distribution box, distribution, 230 V + SMI

Color	Item No.	Pack. Unit
● black	899-631/405-000	1

## Distribution, 230 V + SMI

### 2 Inputs, 5 Outputs, A+B-Coding

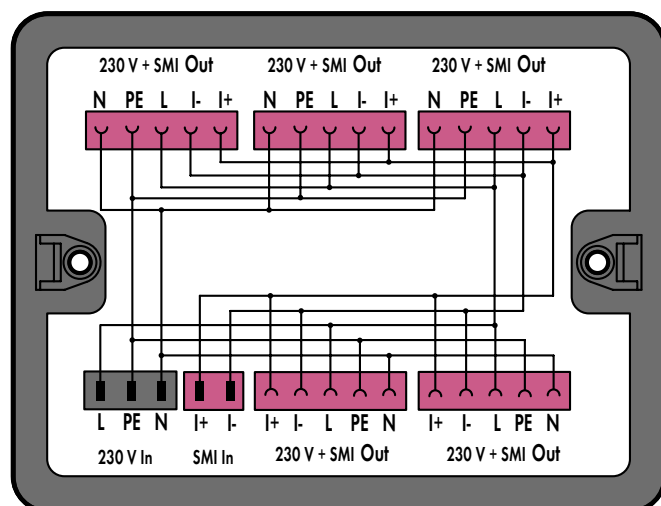
#### Description

This WINSTA® Distribution Box connects to 5-pole SMI drives. Power supply is performed via two cables (230 V and SMI). Both cables are combined into four outputs.

WINSTA® MINI special  
WINSTA® MIDI  
WINSTA® MIDI special

#### Technical Data

Rated voltage (III / 3)	250 V
Rated surge voltage (III / 3)	4 kV
Rated current	20 A / 16 A
Internal wiring	2.5 mm <sup>2</sup> / 1.5 mm <sup>2</sup>



Distribution box, distribution, 230 V + SMI

Color	Item No.	Pack. Unit
● black	899-631/444-000	1

## WINSTA® Boxes

### Distribution, 230 V + SMI

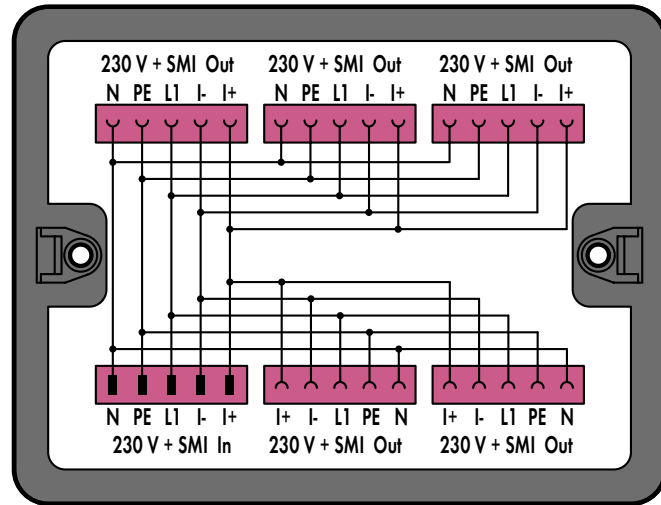
#### 1 Input, 5 Outputs, B-Coding, WINSTA® MIDI special

**Description**

This WINSTA® Distribution Box connects to 5-pole SMI drives; 230 V power supply and SMI signal are combined into a single line.

**Technical Data**

Rated voltage (III / 3)	250 V
Rated surge voltage (III / 3)	4 kV
Rated current	20 A / 16 A
Internal wiring	2.5 mm <sup>2</sup> / 1.5 mm <sup>2</sup>



Distribution box, distribution, 230 V + SMI		
Color	Item No.	Pack. Unit
● black	899-631/421-000	1

## Motion and Presence Detectors, ESYLUX

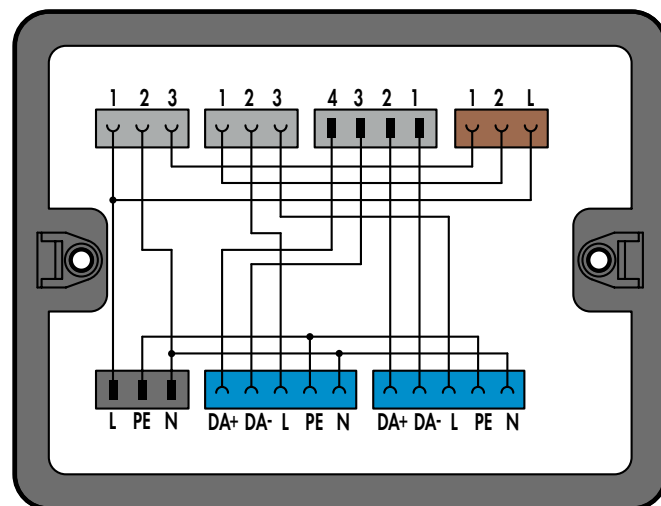
### 2 Inputs, 5 Outputs, A-, B-, I-, S-Coding, WINSTA® MINI

**Description**

This WINSTA® Distribution Box connects to ESY-LUX presence detectors.

**Technical Data**

Rated voltage (III / 3)	250 V
Rated surge voltage (III / 3)	4 kV
Rated current	20 A
Internal wiring	2.5 mm <sup>2</sup>



(III / 3) ≙ Overvoltage category III / Pollution degree 3

- 899 Series Accessories, see page 359
- Approvals, see www.wago.com
- Coding overview, see page 372

Distribution box, motion and presence detectors, ESYLUX		
Color	Item No.	Pack. Unit
● black	899-631/442-000	1

10

## WINSTA® Boxes

### Motion and Presence Detectors, ESYLUX

#### 1 Input, 5 Outputs, A-, B-, S-Coding, WINSTA® MIDI

##### Description

This WINSTA® Distribution Box connects to ESYLUX presence detectors.

##### Technical Data

Rated voltage (III / 3)

250 V

Rated surge voltage (III / 3)

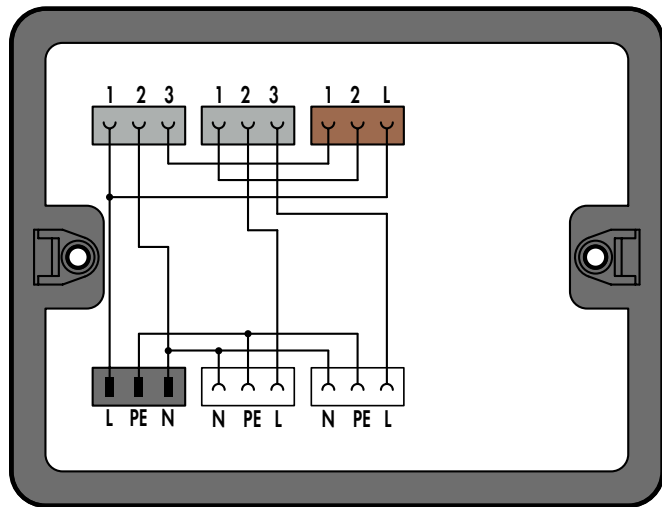
4 kV

Rated current

20 A

Internal wiring

2.5 mm<sup>2</sup>



Distribution box, motion and presence detectors, ESYLUX

Color	Item No.	Pack. Unit
● black	899-631/443-000	1

## Motion and Presence Detectors

### 1 Input, 2 Lights, 1 Motion Detector, A+S-Coding, WINSTA® MIDI

##### Description

This WINSTA® Distribution Box connects to one motion detector and two lights.

##### Technical Data

Rated voltage (III / 3)

250 V

Rated surge voltage (III / 3)

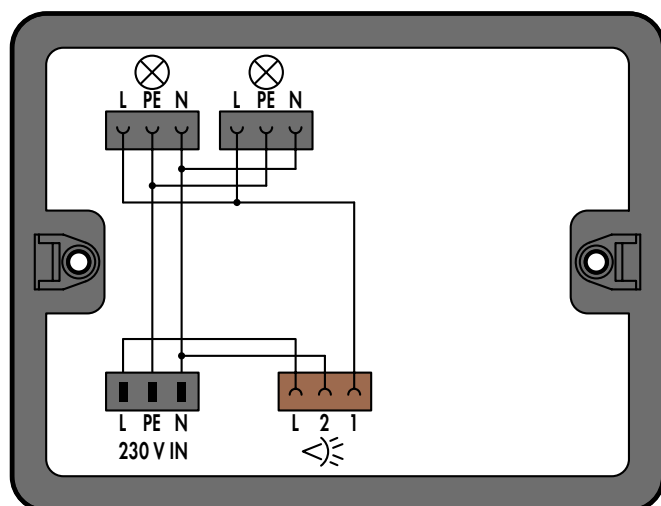
4 kV

Rated current

25 A

Internal wiring

4 mm<sup>2</sup>



Distribution box, motion and presence detectors

Color	Item No.	Pack. Unit
● black	899-631/309-000	1

## WINSTA® Boxes

### Motion and Presence Detectors

#### Through Wiring (3-Pole), 2 Lights, 1 Motion Detector, A-Coding, WINSTA® MIDI

##### Description

This WINSTA® Distribution Box connects to one motion detector and two lights.

##### Technical Data

Rated voltage (III / 3)

250 V

Rated surge voltage (III / 3)

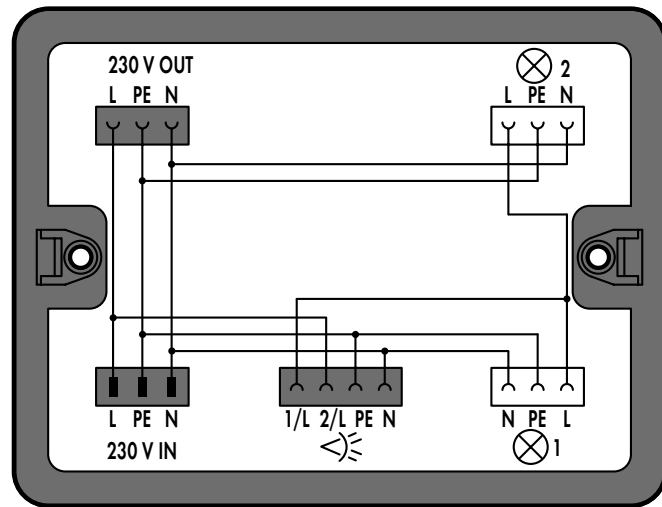
4 kV

Rated current

25 A

Internal wiring

4 mm<sup>2</sup>



##### Distribution box, motion and presence detectors

Color	Item No.	Pack. Unit
● black	899-631/374-000	1

### Motion and Presence Detectors

#### Through Wiring (3-Pole), 2 Lights, 1 Motion Detector, A-Coding, WINSTA® MIDI

##### Description

This WINSTA® Distribution Box connects to one motion detector, two lights and one outlet.

##### Technical Data

Rated voltage (III / 3)

250 V

Rated surge voltage (III / 3)

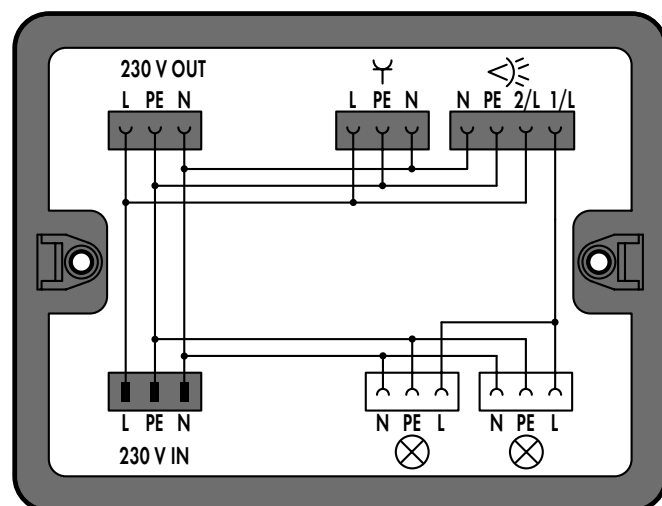
4 kV

Rated current

25 A

Internal wiring

4 mm<sup>2</sup>



##### Distribution box, motion and presence detectors

Color	Item No.	Pack. Unit
● black	899-631/180-000	1

(III / 3) ≙ Overvoltage category III /  
Pollution degree 3

📖 899 Series Accessories,  
see page 359

📖 Approvals,  
see [www.wago.com](http://www.wago.com)

📖 Coding overview,  
see page 372

**WINSTA® Boxes****On/Off Switching**

1 Input, 5 Outputs, 1 Light, 1 Switch, A+S-Coding, WINSTA® MIDI

**Description**

This WINSTA® Box features one on/off switch for five power outlets and one light.

**Technical Data**

Rated voltage (III / 3)

250 V

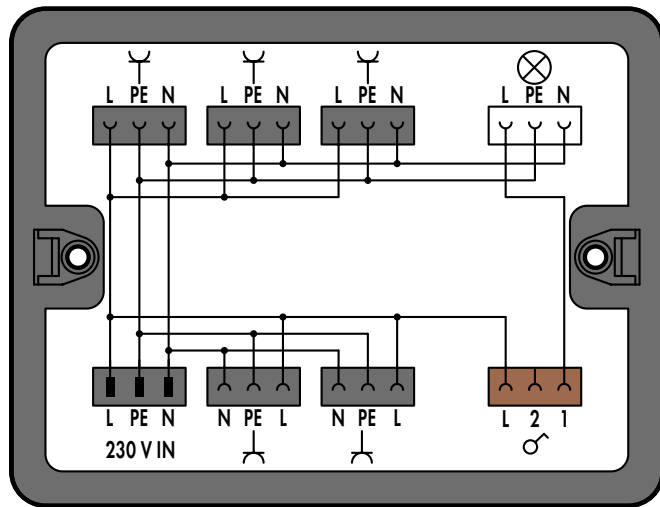
Rated surge voltage (III / 3)

4 kV

Rated current

25 A

Internal wiring

4 mm<sup>2</sup>**Distribution box, on/off switching**

Color

● black

Item No.

899-631/304-000

Pack. Unit

1

**On/Off Switching**

1 Input, 3 Outputs, 2 Lights, 2 Switches, A+S-Coding, WINSTA® MIDI

**Description**

This WINSTA® Distribution Box features two on/off switches for three power outlets and two lights.

**Technical Data**

Rated voltage (III / 3)

250 V

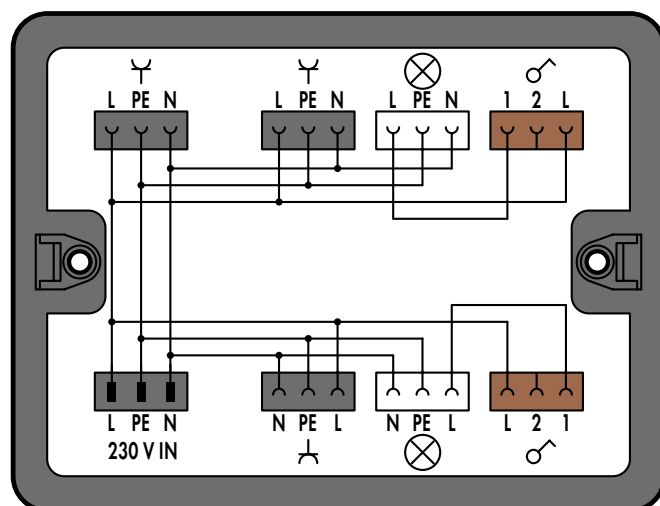
Rated surge voltage (III / 3)

4 kV

Rated current

25 A

Internal wiring

4 mm<sup>2</sup>**Distribution box, on/off switching**

Color

● black

Item No.

899-631/123-000

Pack. Unit

1

## WINSTA® Boxes

### On/Off Switching

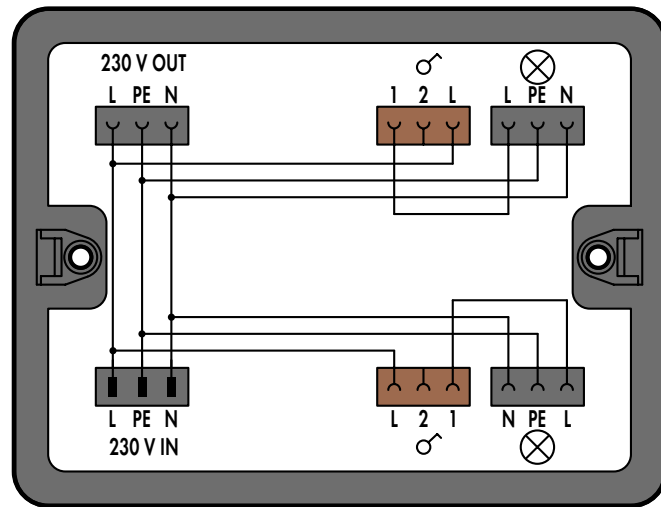
1 Input, 1 Output, 2 Lights, 2 Switches, A+S-Coding, WINSTA® MIDI

#### Description

This WINSTA® Distribution Box features two on/off switches for one light each.

#### Technical Data

Rated voltage (III / 3)	250 V
Rated surge voltage (III / 3)	4 kV
Rated current	25 A
Internal wiring	4 mm <sup>2</sup>



Distribution box, on/off switching

Color	Item No.	Pack. Unit
● black	899-631/363-000	1

### Series Switching

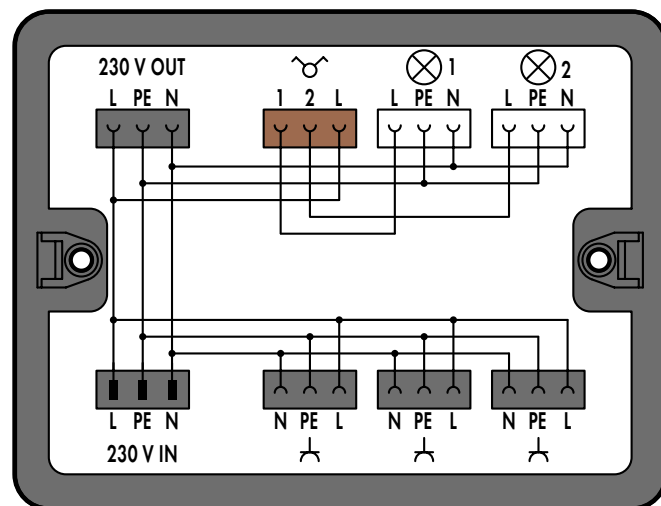
1 Input, 4 Outputs, 2 Lights, 1 Switch, A+S-Coding, WINSTA® MIDI

#### Description

This WINSTA® Distribution Box features one series switch and is designed for through wiring and outlet connections.

#### Technical Data

Rated voltage (III / 3)	250 V
Rated surge voltage (III / 3)	4 kV
Rated current	25 A
Internal wiring	4 mm <sup>2</sup>



Distribution box, series switching

Color	Item No.	Pack. Unit
● black	899-631/130-000	1

(III / 3) ≙ Overvoltage category III / Pollution degree 3

899 Series Accessories, see page 359

Approvals, see www.wago.com

Coding overview, see page 372

## WINSTA® Boxes

### Series Switching

1 Input, 1 Output, 4 Lights, 2 Switches, A+S-Coding, WINSTA® MIDI

#### Description

This WINSTA® Distribution Box features two series switches with pluggable connectors.

#### Technical Data

Rated voltage (III / 3)

250 V

Rated surge voltage (III / 3)

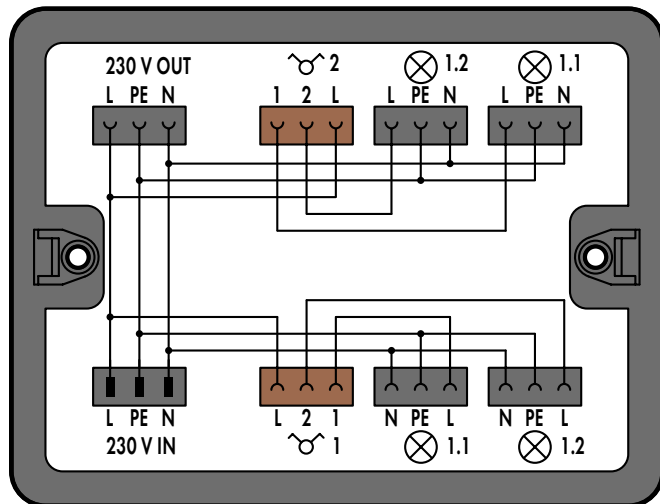
4 kV

Rated current

25 A

Internal wiring

4 mm<sup>2</sup>



#### Distribution box, series switching

Color

● black

Item No.

899-631/386-000

Pack. Unit

1

## Changeover Switching

1 Input, 3 Outputs, 2 Lights, 2 Switches, A+S-Coding, WINSTA® MIDI

#### Description

This WINSTA® Distribution Box features two changeover switches and connects to three power outlets.

The distribution box is fitted on the 770-680 Mounting Plate.

#### Technical Data

Rated voltage (III / 3)

250 V

Rated surge voltage (III / 3)

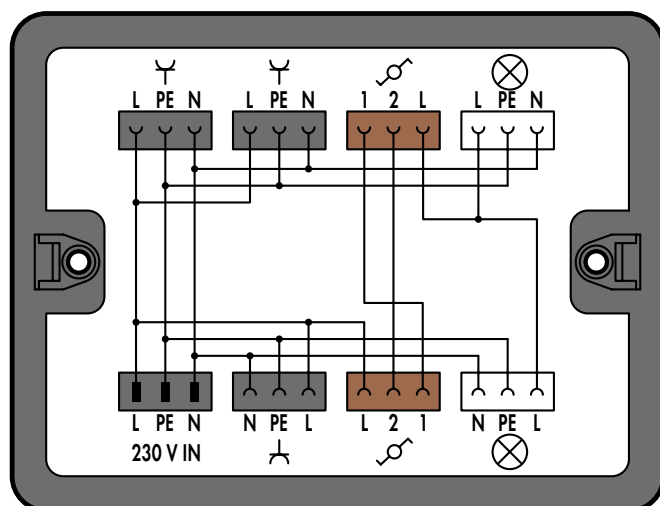
4 kV

Rated current

25 A

Internal wiring

4 mm<sup>2</sup>



#### Distribution box, on/off switching

Color

● black

Item No.

899-631/189-000

Pack. Unit

1

## WINSTA® Boxes

### Changeover Switching

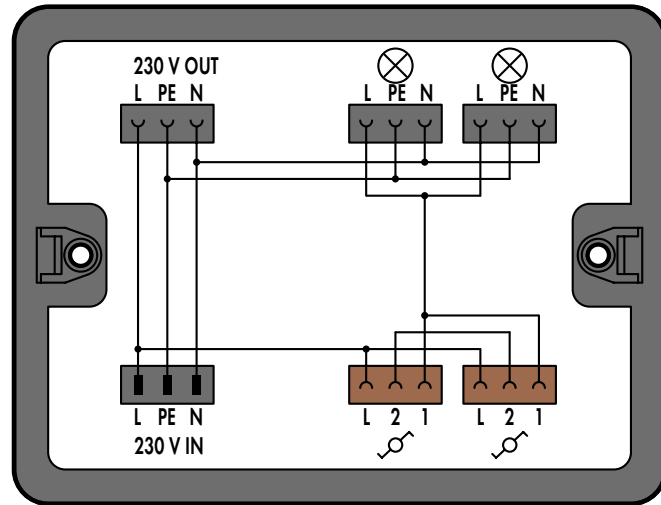
1 Input, 1 Output, 2 Lights, 2 Switches, A+S-Coding, WINSTA® MIDI

#### Description

This WINSTA® Distribution Box features two economy changeover switches for two lights.

#### Technical Data

Rated voltage (III / 3)	250 V
Rated surge voltage (III / 3)	4 kV
Rated current	25 A
Internal wiring	4 mm <sup>2</sup>



Distribution box, changeover switching

Color	Item No.	Pack. Unit
● black	899-631/308-000	1

### Crossover Switching

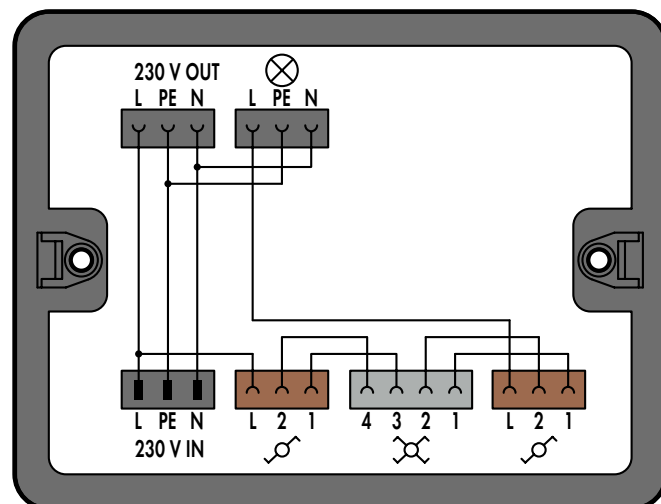
1 Input, 1 Output, 1 Light, 3 Switches, A+B+S-Coding, WINSTA® MIDI

#### Description

This WINSTA® Distribution Box features one crossover switch.

#### Technical Data

Rated voltage (III / 3)	250 V
Rated surge voltage (III / 3)	4 kV
Rated current	25 A
Internal wiring	4 mm <sup>2</sup>



Distribution box, crossover switching

Color	Item No.	Pack. Unit
● black	899-631/305-000	1

(III / 3) ≙ Overvoltage category III / Pollution degree 3

899 Series Accessories, see page 359

Approvals, see www.wago.com

Coding overview, see page 372



## WINSTA® Boxes

### Cable and Device Protection

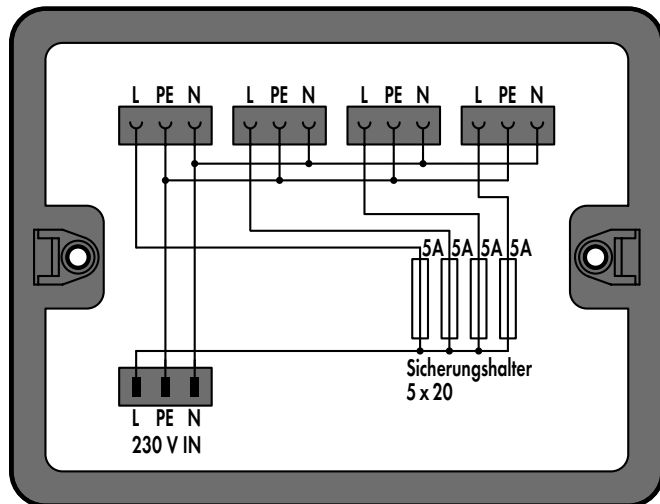
#### 1 Input, 4 Outputs, A-Coding, WINSTA® MIDI

##### Description

This WINSTA® Distribution Box protects four components within a device (5 x 20 mm fuse holder). Power supply is performed using a 3-pole connecting cable.

##### Technical Data

Rated voltage (III / 3)	250 V
Rated surge voltage (III / 3)	4 kV
Rated current	5 A
Internal wiring	2.5 mm <sup>2</sup>



##### Distribution box, series switching

Color	Item No.	Pack. Unit
● black	899-631/315-000	1

## Surge Protection (Type 3)

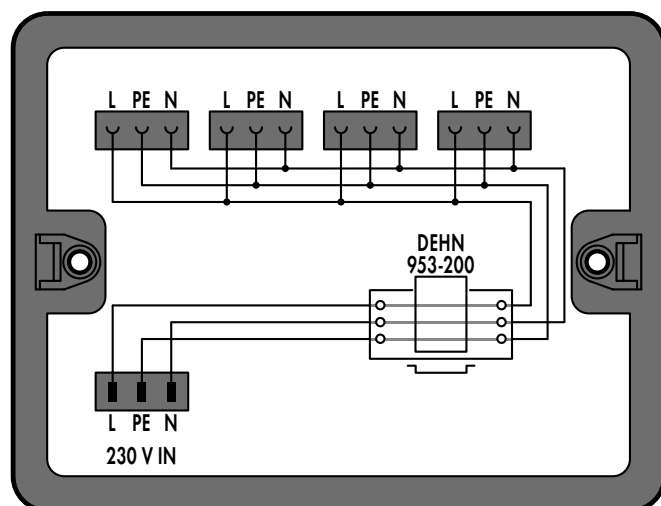
### 1 Input, 4 Outputs, A-Coding, WINSTA® MIDI

##### Description

This WINSTA® Distribution Box is equipped with a "Type 3" surge suppression device (DEHN 953 200) allowing four 3-pole pluggable outputs to be protected. Power supply is performed using a 3-pole connecting cable.

##### Technical Data

Rated voltage (III / 3)	250 V
Rated surge voltage (III / 3)	4 kV
Rated current	20 A
Internal wiring	2.5 mm <sup>2</sup>



##### Distribution box, surge protection (type 3)

Color	Item No.	Pack. Unit
● black	899-632/182-000	1

## WINSTA® Boxes

### Switching with Latching Relay

#### 1 Input, 1 Light, 3 Push-Buttons, A+S-Coding, WINSTA® MIDI

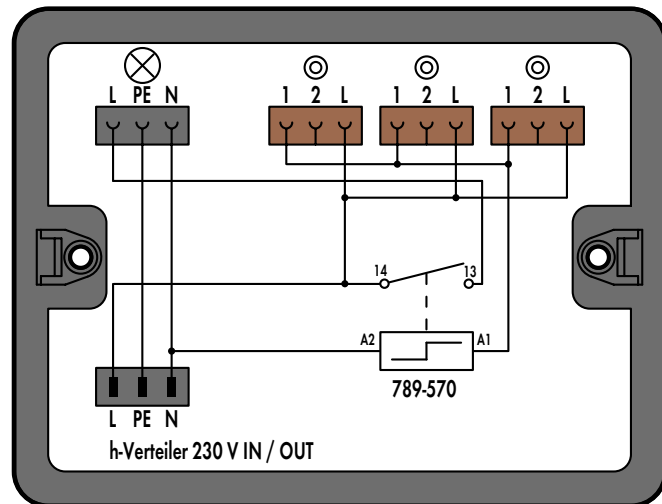
##### Description

This WINSTA® Distribution Box features one latching relay (three push-buttons, one light). Power supply (230 V, through wiring) is performed using the provided h-distribution connector.

Includes: One 770-633 h-Distribution Connector

##### Technical Data

Rated voltage (III / 3)	250 V
Rated surge voltage (III / 3)	4 kV
Rated current	16 A
Internal wiring	2.5 mm <sup>2</sup>



##### Distribution box, switching with latching relay

Color	Item No.	Pack. Unit
● black	899-632/101-000	1

### Switching with Latching Relay

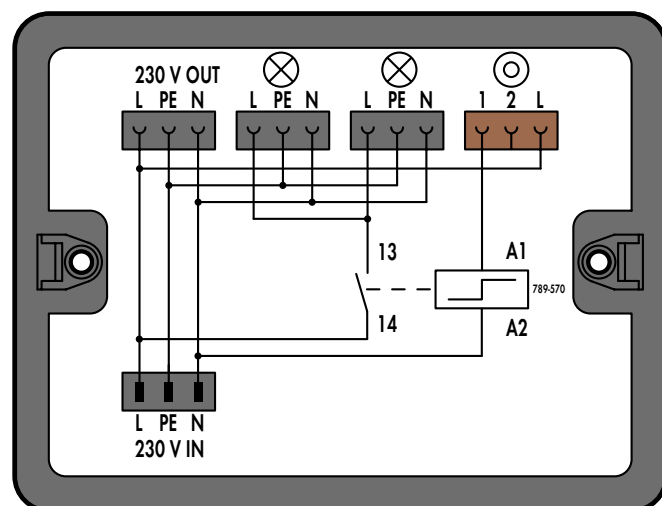
#### Through Wiring (3-Pole), 2 Outputs, 1 Push-Button, A+S-Coding, WINSTA® MIDI

##### Description

This WINSTA® Distribution Box features one latching relay (one push-button, two lights).

##### Technical Data

Rated voltage (III / 3)	250 V
Rated surge voltage (III / 3)	4 kV
Rated current	16 A
Internal wiring	4 mm <sup>2</sup> / 2.5 mm <sup>2</sup>



(III / 3) ≙ Overvoltage category III /  
Pollution degree 3

899 Series Accessories,  
see page 359

Approvals,  
see www.wago.com

Coding overview,  
see page 372

##### Distribution box, crossover switching

Color	Item No.	Pack. Unit
● black	899-632/199-000	1

## WINSTA® Boxes

### Switching with Latching Relay

#### Through Wiring (3-Pole), 1 Light, 2 Push-Buttons, A+S-Coding , WINSTA® MIDI

##### Description

This WINSTA® Distribution Box features one latching relay (two push-buttons, one light).

##### Technical Data

Rated voltage (III / 3)

250 V

Rated surge voltage (III / 3)

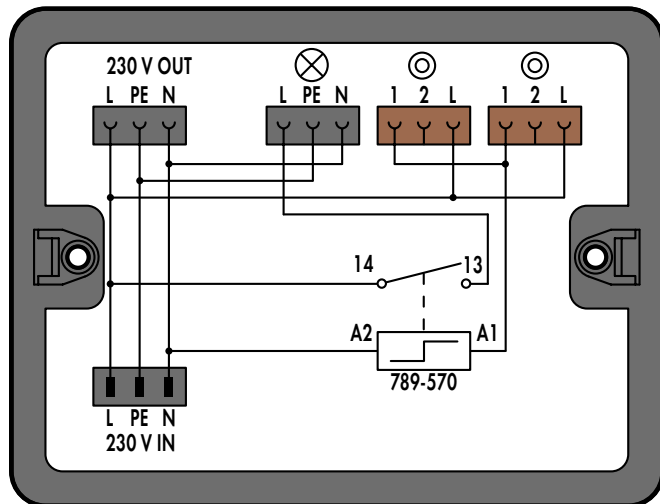
4 kV

Rated current

25 A / 16 A

Internal wiring

4 mm<sup>2</sup> / 2.5 mm<sup>2</sup>



##### Distribution box, switching with latching relay

Color

● black

Item No.

899-632/138-000

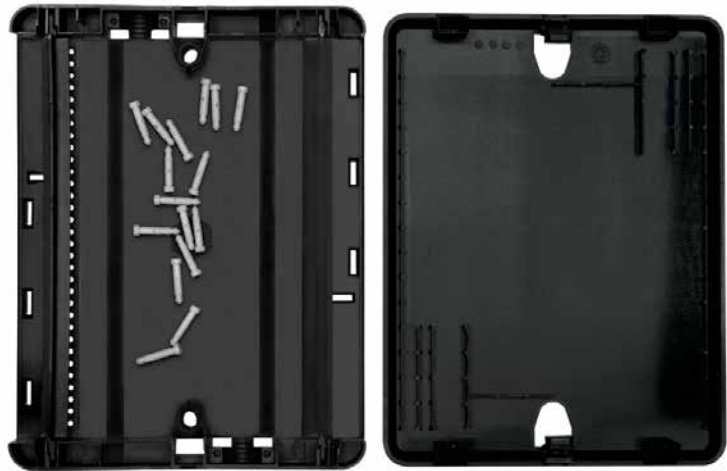
Pack. Unit

1

## WINSTA® Boxes Distribution Box for Self-Assembly

### Description

This WINSTA® Distribution Box is designed for custom assembly/wiring and includes: 1 bottom, 1 lid, 2 sidewalls and 16 MIDI mounting pins.



Distribution Box for Self-Assembly		
Color	Item No.	Pack. Unit
● black	899-631	1
○ white	899-681	1

## Distribution Box for Self-Assembly

### Description

This WINSTA® Distribution Box is designed for custom wiring with an electronic module (1 module on DIN-35 rail) and includes: 1 bottom, 1 lid, 1 sidewall, 1 sidewall with DIN-35 rail and 10 MIDI mounting pins.



10

899 Series Accessories, see page 359

Approvals, see www.wago.com

Coding overview, see page 372







Distribution Box for Self-Assembly		
Color	Item No.	Pack. Unit
● black	899-632	1
○ white	899-682	1





## Accessories and Tools

## WINSTA® Accessories and Tools

	Page
	<b>WINSTA® MINI and MINI special, 890 Series</b> Accessories 352
	<b>WINSTA® MIDI and MIDI special, 770 Series</b> Accessories 355
	<b>WINSTA® IDC, 772, 895 and 897 Series</b> Accessories 360
	<b>WINSTA® Boxes, 899 Series</b> Accessories 359
	<b>Tools</b>
	Operating Tools 364
	Wire strippers 366
	Stripping Pliers, Cable Cutters, Stripping Knives 367
	Cable cutters 368
Wiring Aid 368	
	<b>Marking</b>
	Markers 369
	Self-Adhesive Marking Strips 369

# WINSTA® MINI / WINSTA® MINI special

## Accessories

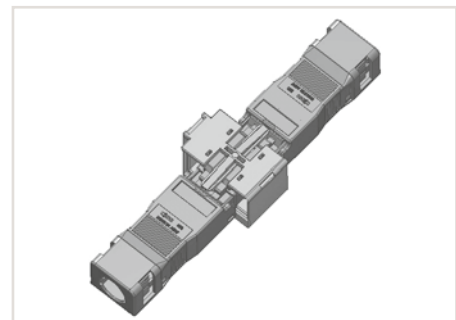
### 890 / 891 Series



Locking lever, for flying leads, manually operated		
Color	Item No.	Pack. Unit
black	890-101	100(50)
white	890-121	100(50)

Locking lever, for flying leads, tool operated		
Color	Item No.	Pack. Unit
black	890-111	100(50)
white	890-131	100(50)

Mounting adapter, for 2- to 5-pole for flying leads		
Color	Item No.	Pack. Unit
black	890-310	100
white	890-311	100



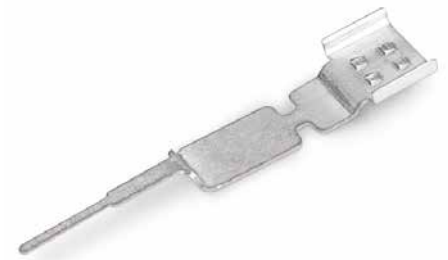
All connectors for mounted installations (snap-in versions, pluggable PCB connectors, distribution connectors) are factory-equipped with locking levers to ensure plugs and sockets are securely locked. Additional locking levers are only required for "flying leads" (plug/socket).

Locking connector via integrated lever.  
Locking second connector for a secure connection.





Lockout cap, for cutout, 2-pole		
Color	Item No.	Pack. Unit
black	890-642	100
white	890-692	100



Shield connecting plate, for 3-pole plugs and sockets		
	Item No.	Pack. Unit
	890-523	50

Lockout cap, for cutout, 3-pole		
Color	Item No.	Pack. Unit
black	890-643	100
white	890-693	100

Lockout cap, for cutout, 4-pole		
Color	Item No.	Pack. Unit
black	890-644	100
white	890-694	100

Lockout cap, for cutout, 5-pole		
Color	Item No.	Pack. Unit
black	770-643	100
white	770-693	100



Seal unused cutout with lockout cap.



Connector with shield termination

**WINSTA® MINI / WINSTA® MINI special****Accessories****890 / 891 Series**

Mounting plate for distribution connector, 2-pole		
Color	Item No.	Pack. Unit
black	890-1622	100
white	890-1672	100

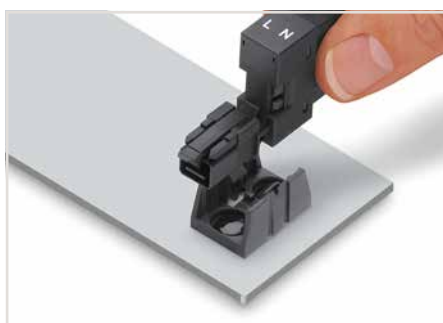


Mounting pin, for mounting plates, 5 mm Ø, 0.2 ... 1.2 mm plate thickness		
Color	Item No.	Pack. Unit
black	890-601	250

Mounting plate, for distribution connector, 3-pole		
Color	Item No.	Pack. Unit
black	890-623	100
white	890-673	100

Mounting plate, for distribution connector, 4-pole		
Color	Item No.	Pack. Unit
black	890-624	50
white	890-674	50

Mounting plate, for distribution connector, 5-pole		
Color	Item No.	Pack. Unit
black	890-625	50
white	890-675	50



The distribution connectors snap together when attached to the mounting plate.



Secure the mounting plate via pins.

## WINSTA® MIDI / WINSTA® MIDI special Accessories 770 / 771 Series



Locking lever,  
for flying leads,  
manually operated

Color	Item No.	Pack. Unit
black	770-101	100(25)
white	770-121	100(25)

Locking lever,  
for flying leads,  
tool operated

Color	Item No.	Pack. Unit
black	770-111	100(25)
white	770-131	100(25)

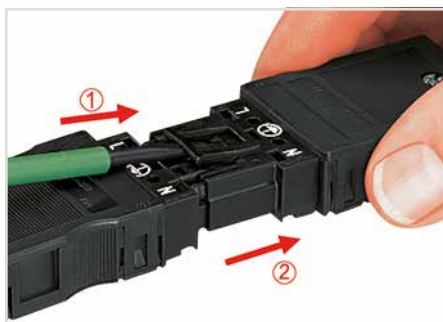
Locking lever,  
oversized,  
tool operated

Color	Item No.	Pack. Unit
gray	770-140	100(25)



Locking lever, manually operated:

- Push on locking lever
- Pull the connectors apart



Locking lever, tool operated:

- Unlatch locking lever
- Pull the connectors apart



Snap-in connector with protruding locking lever

# WINSTA® MIDI / WINSTA® MIDI special Accessories 770 / 771 Series



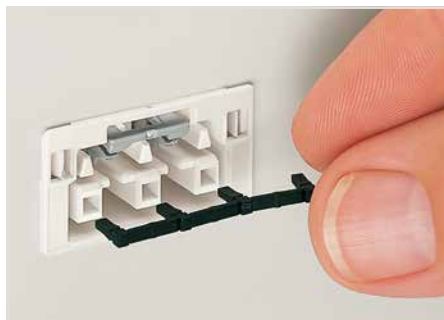
Coding pin, for plug (A- and B-coding)		
Color	Item No.	Pack. Unit
gray	770-401	100

Lockout cap, for socket, separable, 12-pole		
Color	Item No.	Pack. Unit
black	770-201	100
white	770-221	100

Lockout cap, for plug, separable, 5-pole		
Color	Item No.	Pack. Unit
yellow	770-360	100



Insert coding pin into the plug.



Seal an unmated socket by simply inserting a lock-out cap. This prevents the smallest particles from entering the socket.



Lockout cap, for cutout, 3-pole		
Color	Item No.	Pack. Unit
black	770-643	100
white	770-693	100



Shield connecting plate, for 3-pole plugs and sockets		
Item No.	Pack. Unit	
770-523	25	

Lockout cap, for cutout, 4-pole		
Color	Item No.	Pack. Unit
black	770-644	100
white	770-694	100

Lockout cap, for cutout, 5-pole		
Color	Item No.	Pack. Unit
black	770-645	100
white	770-695	100



Seal unused cutout with lockout cap.



Connector with shield termination

# WINSTA® MIDI / WINSTA® MIDI special

## Accessories

### 770 / 771 Series



Mounting adapter, for T-distribution connector, 5-pole		
Item No.	Pack. Unit	
770-354	50	



Mounting plate for distribution connector, 2-pole		
Color	Item No.	Pack. Unit
black	770-1626	25
white	770-1627	25

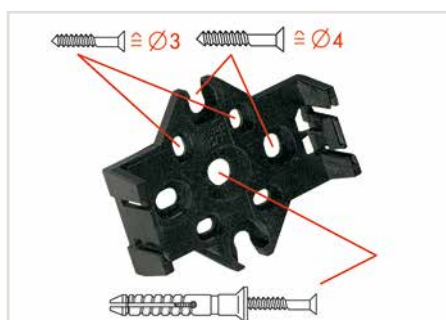


Mounting pin, for mounting plates, 6 mm Ø, 1 ... 2.5 mm plate thickness		
Color	Item No.	Pack. Unit
black	770-601	250

Mounting plate, for distribution connector, 3-pole		
Color	Item No.	Pack. Unit
black	770-623	25
white	770-673	25

Mounting plate, for distribution connector, 4-pole		
Color	Item No.	Pack. Unit
black	770-624	25
white	770-674	25

Mounting plate, for distribution connector, 5-pole		
Color	Item No.	Pack. Unit
black	770-625	25
white	770-675	25



Mounting plates can be secured using commercially available screws or nail-drive anchors.



The mounting plate can be centrally mounted, or attached via outboard attachment points using 770-601 Mounting Pins.

## WINSTA® Boxes

### Accessories

#### 899 Series



Adapter for distribution boxes, for *WINSTA®* MINI connectors and *WINSTA®* MINI special connectors, 2-pole

Color	Item No.	Pack. Unit
gray	890-302	100



Mounting pin for distribution boxes, for *WINSTA®* MIDI connectors and *WINSTA®* MIDI special connectors

Color	Item No.	Pack. Unit
gray	770-630	100



Mounting plate, for distribution boxes

Color	Item No.	Pack. Unit
	770-680	25

Adapter for distribution boxes, for *WINSTA®* MINI connectors and *WINSTA®* MINI special connectors, 3-pole

Color	Item No.	Pack. Unit
gray	890-303	100

Adapter for distribution boxes, for *WINSTA®* MINI connectors and *WINSTA®* MINI special connectors, 4-pole

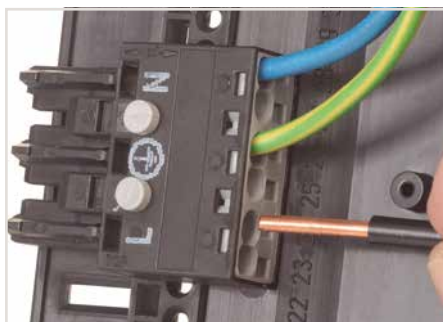
Color	Item No.	Pack. Unit
gray	890-304	100

Adapter for distribution boxes, for *WINSTA®* MINI connectors and *WINSTA®* MINI special connectors, 5-pole

Color	Item No.	Pack. Unit
gray	890-305	100



Using adapters to install *WINSTA®* MINI and *WINSTA®* MINI special connectors in a distribution box.



Using mounting pins to secure *WINSTA®* MIDI and *WINSTA®* MIDI special connectors in a distribution box.



Wall-mounted *WINSTA®* Distribution Box

## WINSTA® IDC

### Accessories

#### 772 Series



Mounting plate,  
for supply and tap-off modules

Color	Item No.	Pack. Unit
black	772-260	10



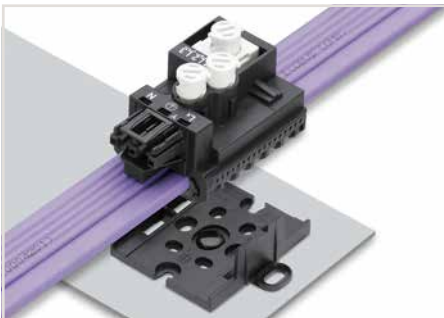
Mounting pin,  
for mounting plates,  
6 mm Ø, 1 ... 2.5 mm plate thickness

Color	Item No.	Pack. Unit
black	770-601	250



Lockout cap,  
for socket, separable,  
12-pole

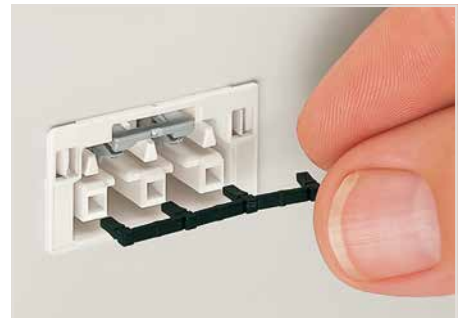
Color	Item No.	Pack. Unit
black	770-201	100
white	770-221	100



Snapping a supply or tap-off module onto a mounting plate.



The mounting plate can be centrally mounted, or attached via outboard attachment points using 770-601 Mounting Pins.



Seal an unmated socket by simply inserting a lockout cap. This prevents the smallest particles from entering the socket.



## WINSTA® IDC

### Accessories

### 895 Series



Cable fitting,  
M 40 x 1.5, clamping range: 20 ... 26 mm Ø,  
with O-ring gasket, plastic

Color	Item No.	Pack. Unit
black	895-1601	5



Cable fitting,  
M 25 x 1.5, clamping range: 20 ... 26 mm Ø,  
with O-ring gasket, brass

Color	Item No.	Pack. Unit
brass	895-1604	5



Filler plug,  
M 25 x 1.5,  
with O-ring gasket, plastic

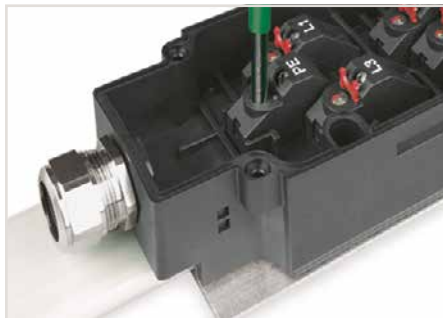
Color	Item No.	Pack. Unit
black	895-1605	5

Cable fitting,  
M 25 x 1.5, clamping range: 9 ... 16 mm Ø,  
with O-ring gasket, plastic

Color	Item No.	Pack. Unit
gray	895-1602	5

Cable fitting,  
M 25 x 1.5, clamping range: 13 ... 18 mm Ø,  
with O-ring gasket, plastic

Color	Item No.	Pack. Unit
gray	895-1603	5



Tap-off module with brass cable fitting

## WINSTA® IDC

### Accessories

### 897 Series



Mounting clamp, for screw mounting,  
for 2 x 1.5 mm<sup>2</sup>, 5 x 2.5 mm<sup>2</sup>, 5 x 4 mm<sup>2</sup> and  
5 x 2.5 mm<sup>2</sup> + 2 x 1.5 mm<sup>2</sup> flat cables

Color	Item No.	Pack. Unit
gray	897-878	100



Mounting clamp, for screw mounting,  
for 3 x 2.5 mm<sup>2</sup> flat cables

Color	Item No.	Pack. Unit
dark gray	897-839	200(25)

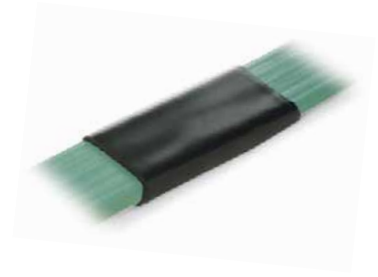


Mounting clamp, for screw mounting,  
for 5 x 10 mm<sup>2</sup> flat cables

Color	Item No.	Pack. Unit
dark gray	897-859	100



Flat cable end cover, for 2 x 1.5 mm <sup>2</sup> flat cables, plastic		
Color	Item No.	Pack. Unit
transparent	897-120	10



Insulating tape, for 2 x 1.5 mm <sup>2</sup> to 5 x 10 mm <sup>2</sup> flat cables		
Color	Item No.	Pack. Unit
black	897-900	10

Flat cable end cover, for 3 x 2.5 mm <sup>2</sup> flat cables, plastic		
Color	Item No.	Pack. Unit
transparent	897-230	10

Insulating tape, for 5 x 16 mm <sup>2</sup> flat cables		
Color	Item No.	Pack. Unit
black	897-901	10

Flat cable end cover, for 5 x 2.5 mm <sup>2</sup> and 5 x 4 mm <sup>2</sup> flat cables, plastic		
Color	Item No.	Pack. Unit
transparent	897-250	10

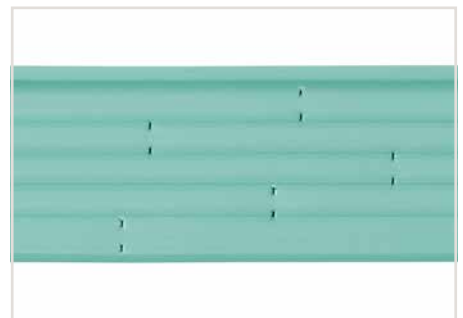
Flat cable end cover, for 5 x 2.5 mm <sup>2</sup> and 2 x 1.5 mm <sup>2</sup> flat cables, plastic		
Color	Item No.	Pack. Unit
transparent	897-260	10

Flat cable end cover, for 5 x 10 mm <sup>2</sup> flat cables, plastic		
Color	Item No.	Pack. Unit
transparent	897-1050	10

Flat cable end cover, for 5 x 16 mm <sup>2</sup> flat cables, plastic		
Color	Item No.	Pack. Unit
transparent	897-1650	4



Fit end cover to each flat cable end.



Use insulating tape to seal the contact holes in the flat cable after removing a module.

# WINSTA® Operating Tools

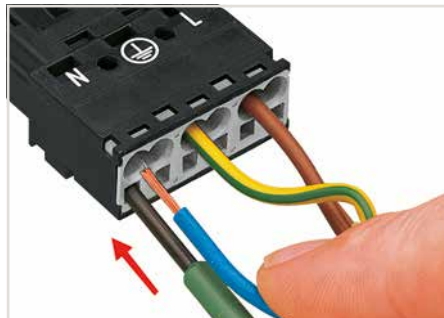


Operating tools with a partially insulated shaft, type 1, (2.5 x 0.4) mm blade		
Color	Item No.	Pack. Unit
green	210-719	1

Operating tool set, with a partially insulated shaft, includes 210-719, 210-720 and 210-721		
Color	Item No.	Pack. Unit
green	210-722	1

Operating tools with a partially insulated shaft, type 2, (3.5 x 0.5) mm blade		
Color	Item No.	Pack. Unit
green	210-720	1

Operating tools with a partially insulated shaft, type 3, (5.5 x 0.8) mm blade		
Color	Item No.	Pack. Unit
green	210-721	1



The blade dimensions of the above-listed operating tools are ideal for operating both WINSTA® Plugs and Sockets.

Set of operating tools in a box



Operating tools with a partially insulated shaft, (6.5 x 1.4) mm blade		
Color	Item No.	Pack. Unit
green	210-636	1



Operating tool, partially insulated, for WINSTA® MINI connectors, 2-pole		
Color	Item No.	Pack. Unit
green	890-382	1



Operating tool, partially insulated, for WINSTA® MIDI connectors, 2-pole		
Color	Item No.	Pack. Unit
green	770-382	1

Operating tools short version, (6.5 x 1.4) mm		
Color	Item No.	Pack. Unit
green	210-635	1

Operating tool, partially insulated, for WINSTA® MINI connectors, 3-pole		
Color	Item No.	Pack. Unit
green	890-383	1

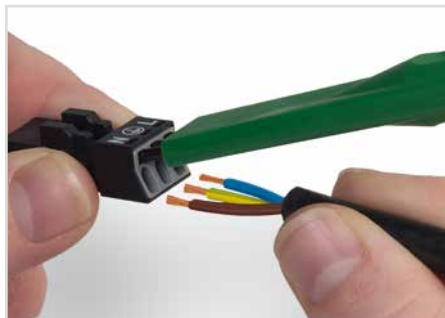
Operating tool, partially insulated, for WINSTA® MIDI connectors, 3-pole		
Color	Item No.	Pack. Unit
green	770-383	1

Operating tool, partially insulated, for WINSTA® MINI connectors, 4-pole		
Color	Item No.	Pack. Unit
green	890-384	1

Operating tool, partially insulated, for WINSTA® MINI connectors, 5-pole		
Color	Item No.	Pack. Unit
green	890-385	1



Operating tools are ideally suited to operate IDC modules (772 Series).



To terminate fine-stranded conductors, open clamping units via operating tool (890-383) and insert stripped conductors until they hit backstop.

# WINSTA® Stripping Tools



„Quickstrip 10" wire stripper,  
0.02 ... 10 mm<sup>2</sup> "f-st" (6 mm<sup>2</sup> "s"),  
wire cutter up to 10 mm<sup>2</sup> "f-st" (1.5 mm<sup>2</sup> "s")

Color	Item No.	Pack. Unit
black	206-124	1



„Quickstrip 16" wire stripper,  
4 ... 16 mm<sup>2</sup>,  
wire cutter up to 10 mm<sup>2</sup> "f-st" (1.5 mm<sup>2</sup> "s")

Color	Item No.	Pack. Unit
green	206-125	1



Stripping a conductor.



Cutting a conductor.

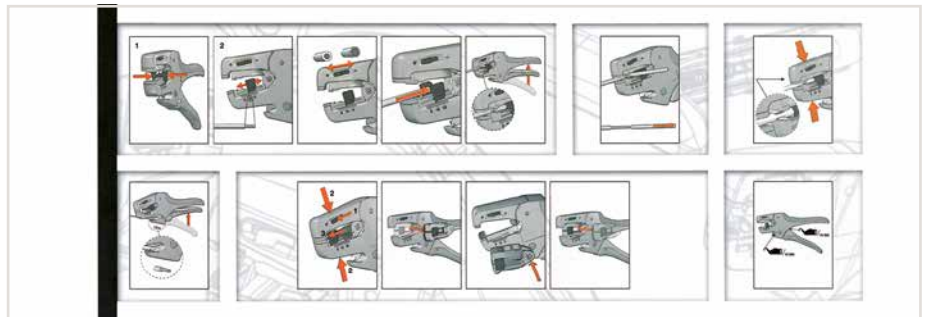
### Accessories

„Standard" blade cassette,  
0.02 ... 10 mm<sup>2</sup>

V-blade cassette,  
0.1 ... 4 mm<sup>2</sup> for PTFE

Color	Item No.	Pack. Unit
black	206-126	1
blue	206-127	1

Color	Item No.	Pack. Unit
red	206-128	1



Operating instructions are included.

# WINSTA® Stripping Pliers, Cable Cutters, Stripping Knives



Stripping pliers, with insulated handles, for 3 x 2.5 mm<sup>2</sup> flat cables

Color	Item No.	Pack. Unit
red	897-931	1

Cable cutter, with partially insulated handles, for 5 x 10 mm<sup>2</sup> and 5 x 16 mm<sup>2</sup> flat cables

Color	Item No.	Pack. Unit
red	897-970	1

Stripping knife, for (5 x 10 mm<sup>2</sup>) flat cable

Color	Item No.	Pack. Unit
light gray	897-951	1

Stripping pliers, with insulated handles, for 2 x 1.5 mm<sup>2</sup>, 5 x 2.5 mm<sup>2</sup>, 5 x 4 mm<sup>2</sup> and 5 x 2.5 mm<sup>2</sup> + 2 x 1.5 mm<sup>2</sup> flat cables

Color	Item No.	Pack. Unit
red	897-971	1

Cable cutter, with partially insulated handles, for 2 x 1.5 mm<sup>2</sup>, 5 x 2.5 mm<sup>2</sup>, 5 x 4 mm<sup>2</sup> and 5 x 2.5 mm<sup>2</sup> + 2 x 1.5 mm<sup>2</sup> flat cables

Color	Item No.	Pack. Unit
red	897-972	1

Stripping knife, for 5 x 16 mm<sup>2</sup> flat cable

Color	Item No.	Pack. Unit
light gray	897-952	1



Cut off the flat cable insulation via cable cutter.



Cut both flat cable insulation sides via stripping knife.

# WINSTA® Cable Cutter and Wiring Aid



Cable cutter, per VDE  
for copper and aluminum cables,  
0.25 ... 35 mm<sup>2</sup>

Color	Item No.	Pack. Unit
green	206-118	1



Wiring aid,  
for 5-pole connectors, distribution connectors  
with phase selection and IDC supply modules,  
suitable for solid and stranded conductors

Color	Item No.	Pack. Unit
orange	770-100	1



Cutting a cable.



Strip outer insulation, insert cable into the wiring aid and arrange the single conductors according to the marking, starting with N. Cut conductor ends to the proper length.



Strip conductor ends to a length of 9 mm (see marking). Slide connector to the stop over conductor ends.



# WINSTA® Markers and Marking Strips



Marker, for manual marking		
Color	Item No.	Pack. Unit
white	770-450	50
green	770-450/000-001	50
yellow	770-450/000-002	50
red	770-450/000-005	50
blue	770-450/000-006	50
orange	770-450/000-012	50

Self-adhesive marking strips, on DIN A4 cards, 182 mm long, 6 mm (40 x) high, for 770 Series		
Color	Item No.	Pack. Unit
white	210-333	1

Self-adhesive marking strips, on DIN A4 cards, 182 mm long, 5 mm (48 x) high, for 771 Series		
Color	Item No.	Pack. Unit
white	210-334	1




Distribution connector with marked cables



Marking area:  
Strain relief, 3-pole, 28 x 6.5 mm  
Strain relief, 4-pole, 38 x 6.5 mm  
Strain relief, 5-pole, 48 x 6.5 mm  
Strain relief, 6-pole, 62 x 6.5 mm



Marking area:  
Strain relief, 3-pole, 22 x 5.2 mm  
Strain relief, 4-pole, 32 x 5.2 mm  
Strain relief, 5-pole, 42 x 5.2 mm

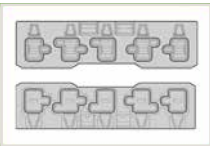

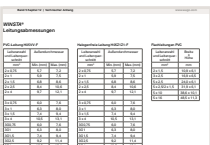
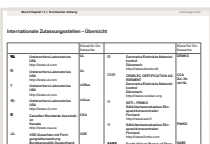


 smartSCRIPT marking software, visit [www.wago.com/smartprinter](http://www.wago.com/smartprinter)



## Technical Section




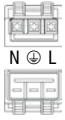



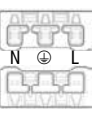
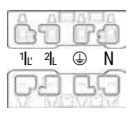
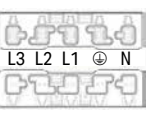


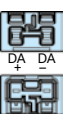
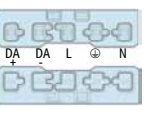

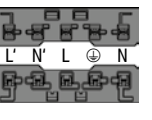
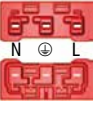
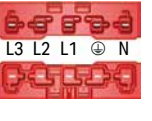



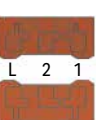
**WINSTA®**  
**Technical Section**

	Page	
	<b>Coding Overview</b> <b>Pole Markings</b>	<b>372</b> <b>375</b>
	<b>Your Questions – Our Answers</b>	<b>376</b>
	<b>Cable Dimensions</b>	<b>378</b>
	<b>International Certification Organizations</b>	<b>380</b>
	<b>Electrical Engineering Laboratory</b>	<b>382</b>
	<b>Seminars</b>	<b>384</b>

# WINSTA®



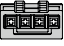












































## Coding Configurations

770, 771, 772, 831, 890, 891, 893, 894 and 899 Series

Description	WINSTA® MINI				WINSTA® MIDI			
	2-pole	3-pole	4-pole	5-pole	2-pole	3-pole	4-pole	5-pole
Series	890/891	890/891	890/891	890/891	770/771	770/771	770/771	770/771
<b>A-coding</b> black white  e.g., general applications	 N L	 N ⊕ L	 1L 2L ⊕ N	 3 2 1 ⊕ N	 N L	 N ⊕ L	 1L 2L ⊕ N	 L3 L2 L1 ⊕ N
<b>E-coding</b> green KNX applications								
<b>F-coding</b> light gray specialty coding								
<b>I-coding</b> blue  for dimming function (e.g., DALI)	 - +			 + - L ⊕ N	 DA DA			 DA DA L ⊕ N
<b>L-coding</b> dark gray  e.g., emergency power supply					 N' L'			 L' N' L ⊕ N
<b>P-coding</b> red  e.g., computer applications (UPS)						 N ⊕ L		 L3 L2 L1 ⊕ N
<b>Q-coding</b> green  Clean ground applications							 L PE2 PE1 N	 L PE3 PE2 PE1 N
<b>R-coding</b> orange  e.g., LON® Bus						 S LON LON		
<b>S-coding</b> brown  e.g., switching applications						 L 2 1		

Description	WINSTA® MAXI	WINSTA® RD		WINSTA® KNX		WINSTA® IDC	
	5-pole	3-pole	4-pole	2-pole	2-pole	3-pole	5-pole
<b>Series</b>	831	774	774	893/894	893/894	772	772
<b>A-coding</b> black white  e.g., general applications							
<b>E-coding</b> green KNX applications							
<b>F-coding</b> light gray specialty coding							
<b>I-coding</b> blue  for dimming function (e.g., DALI)							
<b>L-coding</b> dark gray  e.g., emergency power supply							
<b>P-coding</b> red  e.g., computer applications (UPS)							
<b>Q-coding</b> green  Clean ground applications							
<b>R-coding</b> orange  e.g., LON® Bus							
<b>S-coding</b> brown  e.g., switching applications							

## WINSTA® MINI special and MIDI special B-Coding

Description	WINSTA® MINI special				WINSTA® MIDI special / WINSTA® IDC			
	2-pole	3-pole	4-pole	5-pole	2-pole	3-pole	4-pole	5-pole
Series	890/891	890/891	890/891	890/891	770/771	770/771/772	770/771	770/771/772
<b>B-coding</b> gray								
Control and general applications (110 ... 400 V mains applications)	2 1 	3 2 1 	4 3 2 1 	5 4 3 2 1 	2 1 	3 2 1 	4 3 2 1 	5 4 3 2 1 
<b>B-coding</b> light green								
Control and general applications (0 ... 48 V low voltages)	2 1 	3 2 1 	4 3 2 1 	5 4 3 2 1 	2 1 	3 2 1 	4 3 2 1 	5 4 3 2 1 
<b>B-coding</b> pink								
Control and general applications (bus applications)	2 1 	3 2 1 	4 3 2 1 	5 4 3 2 1 	2 1 	3 2 1 	4 3 2 1 	5 4 3 2 1 

### Important note:

B-Coded components within the *WINSTA*® MINI special and *WINSTA*® MIDI special families are designed for specialty applications (e.g., measurement, control and regulation technology) and certified per DIN EN 61984. In addition to the gray models rated from 110 to 400 V, there is now also a variant in light green for low voltages up to 48 V, as well as a pink one for bus applications.

Each of the three versions is available in 2-, 3- or 4- and 5-pole configurations. Pole marking can be printed at the factory to suit customer requirements. B-coded products are protected against mismatching with all other coding types found in the *WINSTA*® system. Within B-coding, all special variants can mate with each other. The variable coding system provides clear circuit identification. Special variants can be clearly differentiated according to color and pole marking. They can be coded on-site or delivered with factory-installed custom coding.

## WINSTA® MINI special and MIDI special Pole Markings

Suffix Number	Marking				Application
	2-pole	3-pole	4-pole	5-pole	
without	1 2	1 2 3	1 2 3 4	1 2 3 4 5	General
/060-000	L N	L ⊕ N	N ⊕ <sup>2</sup> IL <sup>1</sup> IL'	N ⊕ L1 L2 L3	Standard 230V/400V network applications
/062-000		2 PE 1	3 PE 2 1	N PE 3 2 1	Fan Step switching
/064-000			2L ⊕ 1L L	N ⊕ L 2L 1L	230 V + switched
without	1 2	1 2 3	1 2 3 4	1 2 3 4 5	General
/071-000		U+ X/Y U-	U- S U+ X/Y		AI / AO 0 ... 10 V
/072-000			U- U+ DI AI		Presence detector incl. light sensor
/073-000		1 ⊕ 2	1 ⊕ 2 3	1 ⊕ 2 3 4	Control signal incl. ground
without	1 2	1 2 3	1 2 3 4	1 2 3 4 5	General
/080-000	I+ I-			N ⊕ L I- I+	SMI bus
/081-000		1 2 5	1 2 5 3		MP-Bus
/082-000	+ -	+ S -		N ⊕ L - +	Standard fieldbus applications

Distribution connectors and cable assemblies with above-mentioned pole markings are available upon request.

Item number example:

WINSTA® MIDI special, plug, 4-pole, light green, with U- U+ DI AI pole marking 770-274/072-000

**WINSTA®****Your Questions – Our Answers****Question 1:**

Can **WINSTA®** be used in low-voltage range applications?

Compliance of **WINSTA®** products with the low-voltage directive is verified by the CE approval.

**Question 2:**

Can I wire the entire electrical installation of an operational building using **WINSTA®**?

The **WINSTA®** system allows the entire electrical installation to be wired on both sides of the floor distribution boards.

**Question 3:**

What needs to be considered for the changeover from NYM cables for permanent installation to pluggable installation using fine-stranded wires?

The changeover area must be secured properly in order to protect the NYM cable from excessive bending stress. In addition, all terminals must be protected against shear and tensile stress.

**Question 4:**

What needs to be considered when there is a concentration of **WINSTA®** cables, e.g., in a cable duct?

As a result of heat build-up, it might be necessary to reduce the current carrying capacity or to increase the cross-section from, e.g., 2.5 mm<sup>2</sup> to 4 mm<sup>2</sup> (14 to 12 AWG).

**Question 5:**

Where may I use **WINSTA®** for installation?

Anywhere there is enough space for connectors and cables, e.g., in cable ducts, false floors or plasterboard walls and suspended ceilings. The provisions outlined in VDE 0100 must always be observed.

**Question 6:**

What needs to be considered if there is a cross-section reduction?

The minimum conductor cross-section must be adapted to the connected load. More protection measures are only required if the cable with the reduced cross-section to the connected load is longer than 3 m (see VDE 0100, Nov. 1991, Part 430).

**Question 7:**

Are there distribution boxes with **WINSTA®** components available?

Yes. WAGO offers a variety of distribution boxes with different functions (e.g., DALI-Bus, KNX applications, sun blind control) ready for connection with **WINSTA®** Pluggable Connectors.

**Question 8:**

May I split a three-phase circuit using **WINSTA®**?

It must be ensured that all three phases can be simultaneously switched off (e.g., via 3-pole safety cutout or circuit breaker). **WINSTA®** offers several convenient solutions, such as three-phase to single-phase distribution connectors, distribution connectors with phase selection, intermediate couplers from 5 poles to 3 poles and customized distribution boxes.



**Question 9:**

What safety features does *WINSTA*® provide when designing different circuits, such as GPS (general power supply), SPS (secure power supply) or UPS (uninterruptible power supply)?

Coding **A** (black/white), **E** (green), **F** (light gray), **I** (blue), **L** (dark gray), **P** (red), **Q** (green), **R** (orange) and **S** (brown) are foolproof safety measures that prevent mistaken plugging.

**Question 10:**

Are there custom marking options for *WINSTA*® components?

Of course, flexible marking is part of a flexible connector system. This is why *WINSTA*® also offers custom solutions.

**Question 11:**

Can I also integrate two relays in a *WINSTA*® Distribution Box in order to control blind motors?

Yes. It is even possible to integrate up to three 6 mm wide relays into a *WINSTA*® Distribution Box.

**Question 12:**

Is the *WINSTA*® system protected against accidental contact?

All *WINSTA*® system components are protected against accidental contact, maximizing safety.

**Question 13:**

Can two electrical circuits (even those with different voltages) be routed in one connector/cable?

According to VDE 0100 Part 520, this is acceptable when the connector, or all of the wire insulation present in the cable line is rated for the maximum voltage applied.

**Question 14:**

What needs to be considered for installations in rooms requiring increased fire protection?

In accordance with VDE 0100 Part 482.1.11, H07RN-F cables must be used on account of their greater mechanical strength **1**.

**Question 15:**

Is *WINSTA*® intended for applications in open or easily accessible areas?

Specialty products are available for such applications (see page 154).

**1** *WINSTA*® Cable Assemblies with H07RN-F cables upon request.

## WINSTA® Cable Dimensions

### H05VV-F PVC Cables

Number and Size of Conductors	Outer Diameter	
	mm <sup>2</sup>	Min. (mm)
2 x 0.75	5.7	7.2
2 x 1	5.9	7.5
2 x 1.5	6.8	8.6
2 x 2.5	8.4	10.6
2 x 4	9.7	12.1
3 x 0.75	6.0	7.6
3 x 1	6.3	8.0
3 x 1.5	7.4	9.4
3 x 4	10.5	13.1
3G0.75	6.0	7.6
3G1	6.3	8.0
3G1.5	7.4	9.4
3G2.5	9.2	11.4
3G4	10.5	13.1
4 x 1	7.1	9.0
4 x 1.5	8.4	10.5
4G0.75	6.6	8.3
4G1	7.1	9.0
4G1.5	8.4	10.5
4G2.5	10.1	12.5
4G4	11.5	14.3
5G0.75	7.4	9.3
5G1	7.8	9.3
5G1.5	9.3	11.6
5G2.5	11.2	13.9

### H05Z1Z1-F Halogen-Free Cables

Number and Size of Conductors	Outer Diameter	
	mm <sup>2</sup>	Min. (mm)
2 x 0.75	5.7	7.2
2 x 1	5.9	7.5
2 x 1.5	6.8	8.6
2 x 2.5	8.4	10.6
2 x 4	9.7	12.1
3 x 0.75	6.0	7.6
3 x 1	6.3	8.0
3 x 1.5	7.4	9.4
3 x 4	10.5	13.1
3G0.75	6.0	7.6
3G1	6.3	8.0
3G1.5	7.4	9.4
3G2.5	9.2	11.4
3G4	10.5	13.1
4 x 1	7.1	9.0
4 x 1.5	8.4	10.5
4G1	7.1	9.0
4G1.5	8.4	10.5
4G2.5	10.1	12.5
5G1	7.8	9.3
5G1.5	9.3	11.6
5G2.5	11.2	13.9
5G4	13.0	16.1

### PVC Flat Cables























Number and Size of Conductors	Width x Height
mm <sup>2</sup>	mm
2 x 1.5	10.9 x 6.1
3 x 2.5	16.9 x 6.5
5 x 2.5	24.0 x 6.1
5 x 2.5/2 x 1.5	31.9 x 6.1
5 x 10	38.6 x 10.1
5 x 16	48.5 x 11.3

### Halogen-Free Flat Cables









Number and Size of Conductors	Width x Height
mm <sup>2</sup>	mm
2 x 1.5	10.9 x 6.1
3 x 2.5	16.4 x 6.3
5 x 2.5	24.1 x 6.1
5 x 4	24.1 x 6.1
5 x 2.5/2 x 1.5	31.9 x 6.1
5 x 10	38.6 x 10.1
5 x 16	48.5 x 11.3



## International Certification Organizations – Overview

		Abbreviation			Abbreviation
	<b>Underwriters Laboratories USA</b> <a href="http://www.ul.com">http://www.ul.com</a>	UL		<b>Danmarks Elektriske Materielkontrol Denmark</b> <a href="http://www.demko.dk">http://www.demko.dk</a>	<b>DEMKO</b>
	<b>Underwriters Laboratories USA</b> <a href="http://www.ul.com">http://www.ul.com</a>	UL		<b>CENELEC CERTIFICATION AGREEMENT Danmarks Elektriske Materielkontrol Denmark</b> <a href="http://www.cenelec.org">http://www.cenelec.org</a>	<b>CCA Appr. No. with NL</b>
Y	<b>Underwriters Laboratories USA</b> <a href="http://www.ul.com">http://www.ul.com</a>	cURus			
	<b>Underwriters Laboratories USA</b> <a href="http://www.ul.com">http://www.ul.com</a>	cULus		<b>SETI – FEMKO Sähkötarvikeskeskus Elin-spektionscentralen Finland</b> <a href="http://www.seti.fi">http://www.seti.fi</a>	
	<b>Canadian Standards Association Canada</b> <a href="http://www.csa.ca">http://www.csa.ca</a>	CSA		<b>Sähkötarvikeskeskus Elin-spektionscentralen Finland</b> <a href="http://www.fimko.com">http://www.fimko.com</a>	<b>FIMKO</b>
	<b>VDE-Gutachten mit Fertigungsüberwachung Germany</b> <a href="http://www.vde.de/vde/html/e/home.htm">http://www.vde.de/vde/html/e/home.htm</a>	VDE	<b>SABS</b>	<b>South African Bureau of Standards South Africa</b> <a href="http://www.sabs.co.za">http://www.sabs.co.za</a>	<b>SABS</b>
	<b>VDE – Deutscher Verband für Elektrotechnik Germany</b> <a href="http://www.vde.de">http://www.vde.de</a>			<b>RosTesT Russia</b> <a href="http://www.rostest.ru">http://www.rostest.ru</a>	<b>ROTEST</b>
VDE	<b>VDE – Prüfbericht Germany</b>			<b>Departamentul Moldovastandard Moldova</b> <a href="http://www.moldova.md/ro/government/oll/D_STAND/en/strcent2.htm">http://www.moldova.md/ro/government/oll/D_STAND/en/strcent2.htm</a>	<b>CSM</b>
	<b>Österreichischer Verband für Elektrotechnik Austria</b> <a href="http://www.ove.at">http://www.ove.at</a>	ÖVE			
	<b>Schweizerischer Elektrotechnischer Verein Switzerland</b> <a href="http://www.sev.ch">http://www.sev.ch</a>	SEV		<b>Certificate of Registration Great Britain</b> <a href="http://www.astacertification.com">http://www.astacertification.com</a>	<b>ASTA</b>
	<b>N.V. tot Keuring van Elektrotechnische Materialen Netherlands</b> <a href="http://www.kema.nl">http://www.kema.nl</a>	KEMA		<b>Rheinisch-Westfälischer Technischer Überwachungsverein e.V. Germany</b> <a href="http://www.rwtuv.de">http://www.rwtuv.de</a>	<b>RWTÜv</b>
CCA	<b>CENELEC CERTIFICATION AGREEMENT N.V. tot Keuring van Elektrotechnische Materialen Netherlands</b> <a href="http://www.cenelec.org">http://www.cenelec.org</a>	CCA Appr. No. with NL		<b>Elektrotechnický výskumný a projektový ústav Czech Republic</b> <a href="http://www.ezu.cz">http://www.ezu.cz</a>	<b>EZU</b>
	<b>Norges Elektriske Materialkontroll Norway</b> <a href="http://express.nemko.com">http://express.nemko.com</a>	NEMKO		<b>Stowarzyszenie Elektryków Polskich Poland</b> <a href="http://www.sep.com.pl">http://www.sep.com.pl</a>	<b>BBJ</b>
	<b>Svenska Elektriska Materielkontrollanstalten AB Sweden</b> <a href="http://www.semko.com">http://www.semko.com</a>	SEMKO		<b>Stowarzyszenie Elektryków Polskich Poland</b> <a href="http://www.bbj.pl">http://www.bbj.pl</a>	<b>SEP</b>

For complete, up-to-date approval information, visit [www.wago.com](http://www.wago.com).

		Abbreviation			Abbreviation
<b>CNET</b>	Centre National d'Etudes des Télécommunications France <a href="http://www.lannion.cnet.fr">http://www.lannion.cnet.fr</a>	CNET		Robbanásbiztos Villamos Berendezések Hungary <a href="http://www.bki.hu">http://www.bki.hu</a>	BKI
<b>LCIE</b>	Laboratoire Central des Industries Electriques France <a href="http://www.lcie.fr">http://www.lcie.fr</a>	LCIE	CB	CB – TEST CERTIFICATE India <a href="http://www.ul-europe.com">http://www.ul-europe.com</a>	CB
	Fyzikálne Technické ústave Ústav, Ostrava-Radvanice Czech Republic <a href="http://www.ftzu.cz">http://www.ftzu.cz</a>	FTZU	CB	CB – TEST CERTIFICATE China <a href="http://www.ul-europe.com">http://www.ul-europe.com</a>	CB
<b>Marine Approvals</b>				UL-International Demko A/S Denmark <a href="http://www.ul-europe.com">http://www.ul-europe.com</a>	ENEC
	Germanischer Lloyd Germany <a href="http://www.gl-group.com">http://www.gl-group.com</a>	GL	<b>Ex Approvals</b>		
	Bureau Veritas France <a href="http://www.bureauveritas.fr">http://www.bureauveritas.fr</a>	BV		Physikalisch Technische Bundesanstalt Germany Ex e II <a href="http://www.ptb.de">http://www.ptb.de</a>	PTB
	Lloyd's Register of Shipping Great Britain <a href="http://www.lloydsregister.com">http://www.lloydsregister.com</a>	LR		Underwriters Laboratories USA <a href="http://www.ul.com">http://www.ul.com</a>	cURus-EX
	NV – Det Norske Veritas Norway <a href="http://www.dnv.com">http://www.dnv.com</a>	DNV		N.V. tot Keuring van Elektrotechnische Materialen Netherlands <a href="http://www.kemaquality.com">http://www.kemaquality.com</a>	KEMA-EX
	Russian Maritime Register of Shipping GUS <a href="http://www.rs-head.spb.ru">http://www.rs-head.spb.ru</a>	RMR	GOSENERGO-Ex GOSENERGONADZOR Russia		GOSENERGO-EX
	Polski Rejestr Statków Poland <a href="http://www.prs.pl">http://www.prs.pl</a>	PRS		Fyzikálne Technické ústave Ústav, Ostrava-Radvanice Czech Republic <a href="http://www.ftzu.cz">http://www.ftzu.cz</a>	FTZU
	Korean Register of Shipping Korea <a href="http://www.krs.co.kr">http://www.krs.co.kr</a>	KR		Robbanásbiztos Villamos Berendezések Hungary <a href="http://www.bki.hu">http://www.bki.hu</a>	BKI-Ex
	American Bureau of Shipping USA <a href="http://www.eagle.org">http://www.eagle.org</a>	ABS			

## Electrical Engineering Laboratory Product Safety for Our Customers

WAGO's Minden, Germany laboratory is an "accredited test lab for electrical and mechanical tests on terminal blocks and connectors, as well as for environment simulations."

Accreditation, as ISO/IEC 17011:2004 defines, is a third-party attestation related to a conformity assessment body conveying formal demonstration of its competence to carry out specific conformity assessment tasks.

Accreditation, according to DIN EN ISO/IEC 17025, is granted by the Deutsche Akkreditierungsstelle GmbH DAkkS (German Accreditation Office GmbH DAkkS). This national accreditation office, which was established by the German Federal Ministry for Economics and Technology (BMWi), certifies that our test laboratory is officially recognized as possessing the necessary expertise to conduct defined tests and types of tests independently and objectively.

Through obtaining the accreditation, the following objectives were achieved:

- Exceeding customer requirements
- Workflow optimization
- Clearly defined processes
- Clear organization and structure
- Greater transparency
- Consistent, high-quality laboratory testing
- Maximum traceability
- Traceable measurement results
- Sustainable quality awareness

### Visitor center



### High-voltage test



Conductor retention  
force testing

### Vibration- and shock-resistance testing







## Deutsche Akkreditierungsstelle GmbH

Beliehene gemäß § 8 Absatz 1 AkkStelleG i.V.m. § 1 Absatz 1 AkkStelleGBV  
Unterzeichnerin der Multilateralen Abkommen  
von EA, ILAC und IAF zur gegenseitigen Anerkennung

# Akkreditierung



Die Deutsche Akkreditierungsstelle GmbH bestätigt hiermit, dass das Prüflaboratorium

**WAGO Kontakttechnik GmbH & Co. KG**  
**Hansastraße 27, 32423 Minden**

die Kompetenz nach DIN EN ISO/IEC 17025:2005 besitzt, Prüfungen in folgenden Bereichen durchzuführen:

**Elektrische und mechanische Prüfungen an Klemmen und Steckverbinder  
sowie Umweltsimulation**

Die Akkreditierungsurkunde gilt nur in Verbindung mit dem Bescheid vom 18.12.2014 mit der Akkreditierungsnummer D-PL-19704-01 und ist gültig bis 17.12.2019. Sie besteht aus diesem Deckblatt, der Rückseite des Deckblatts und der folgenden Anlage mit insgesamt 5 Seiten.

Registrierungsnummer der Urkunde: **D-PL-19704-01-00**

Frankfurt am Main, 18.12.2014

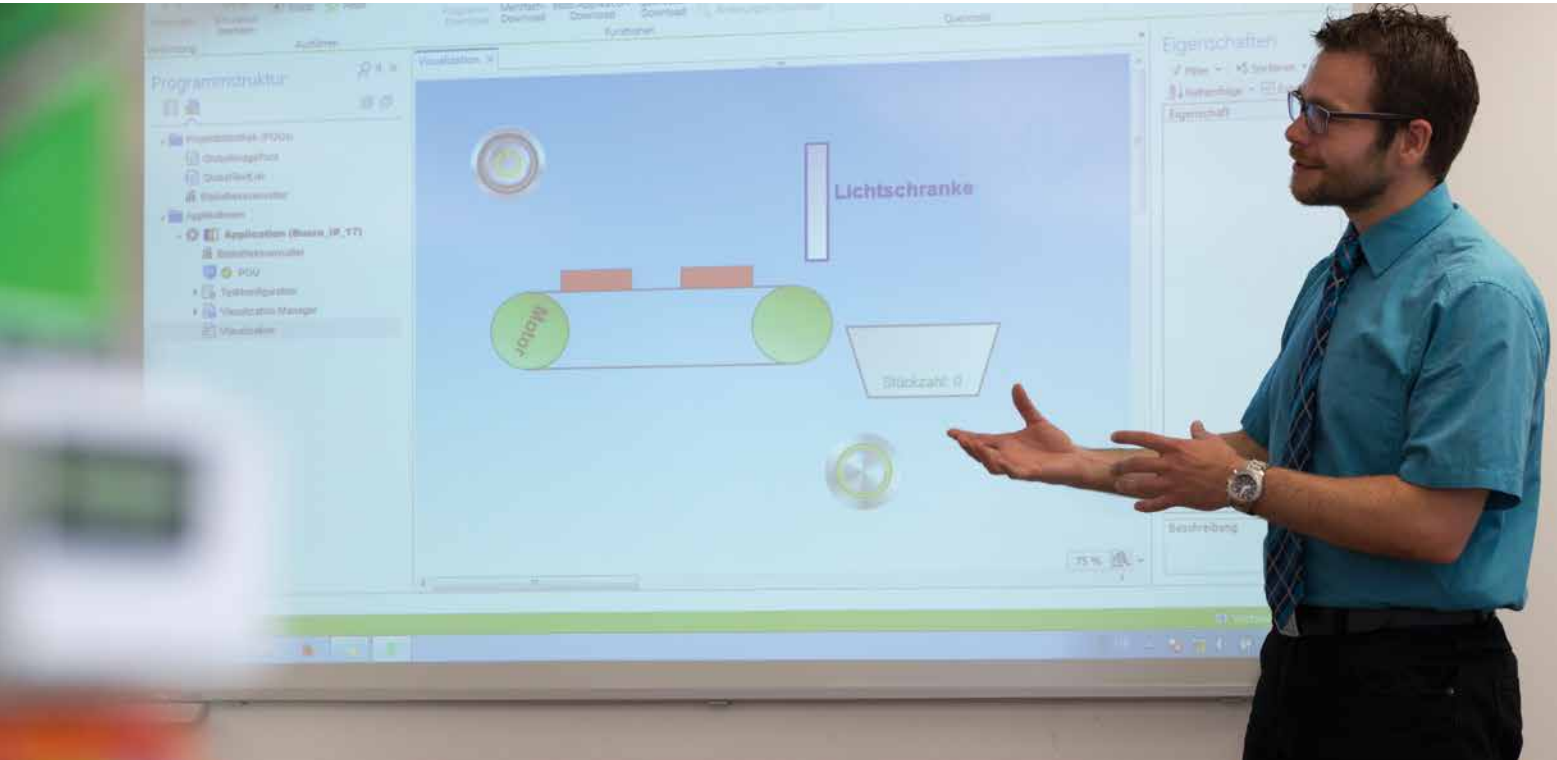
Siehe Hinweise auf der Rückseite

Im Auftrag Dipl.-Ing. (FH) Ralf Egner  
Abteilungsleiter

A handwritten signature in blue ink, appearing to read 'R. Egner', is written over the typed name and title.

# WAGO Seminars

## Learn Today – Benefit Tomorrow



### Setting the Bar with Your Goals

Product-Related and Customer-Specific Seminars



**Small Groups**

The small class sizes of WAGO training seminars ensures that no question goes unanswered and no one is overlooked.



**Teamwork**

Learning as a group is very effective. Ideas can be discussed and exchanged while experiences can be shared – all for the benefit of the participants.



**Practical Topics**

Experience has shown that practice makes perfect. This is why the focus of every WAGO training seminar is on practical, hands-on learning.



## WAGO Seminars

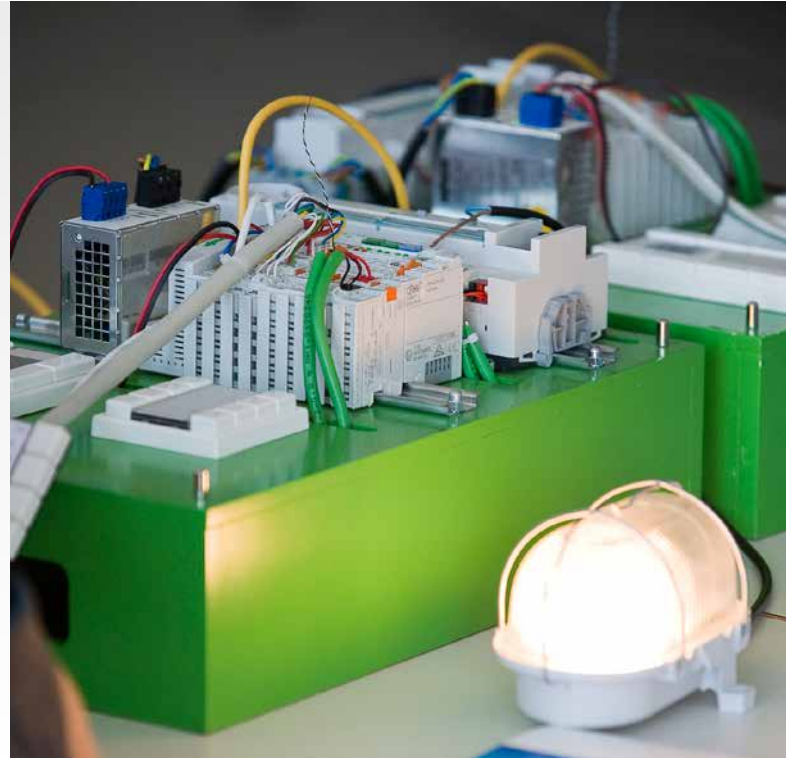
Experience the Benefits of First-Hand Knowledge and Expertise – Straight from the Source!

Our instructors are specialists who know all the ins and outs of WAGO's products. This ensures that the time devoted to each WAGO training seminar is an effective investment in expanding your own expertise.

Request your registration form by e-mail:

**training@wago.com**

**Contact your local  
WAGO office.**



### Product-Related Seminars

We regularly offer product-related seminars on the following topics:

- Building and industrial automation
- Programming of automation components
- Fieldbus systems

**Current seminars:  
[www.wago.com](http://www.wago.com)**

### Customer-Specific Seminars

In addition to these "open" seminars, we also offer seminars specially tailored to your organization and its particular needs. that are specifically tailored to your organization.

Upon request, we can also conduct these seminars at your location.

**Special  
corporate seminars**



# Indexes and Addresses

# WINSTA®

## Indexes and Addresses

	Page
Product Index	388
Item number index	390
WAGO Worldwide	408
WAGO in Germany	410

# Product Index

Item	Page	Item	Page	Item	Page
<b>A</b>					
Accessories		h-distribution connectors		Pluggable PCB connectors	5
- WINSTA® MINI	352	- WINSTA® MINI	7	- WINSTA® MINI	7
- WINSTA® MINI special	352	- WINSTA® MINI special	61	- WINSTA® MINI special	61
- WINSTA® MIDI	355	- WINSTA® MIDI	103	- WINSTA® MIDI	103
- WINSTA® MIDI special	355	- WINSTA® MIDI special	211	- WINSTA® MIDI special	211
- WINSTA® IDC	358				
- WINSTA® Boxes	359				
<b>Addresses and phone numbers</b>					
- in Germany	410				
- worldwide	408				
<b>Approvals</b>					
	380				
<b>C</b>					
Cable assemblies		Intermediate couplers			
- WINSTA® MINI	7	- WINSTA® MINI	7		
- WINSTA® MINI special	61	- WINSTA® MIDI	103		
- WINSTA® MIDI	103				
- WINSTA® MIDI special	211	Item number index	390		
- WINSTA® RD	267				
- WINSTA® KNX	283				
<b>Cable cutters</b>					
	368				
<b>Cable strippers</b>					
	367				
<b>Cables, pre-assembled</b>					
- WINSTA® MINI	7	Locking levers			
- WINSTA® MINI special	61	- WINSTA® MINI	352		
- WINSTA® MIDI	103	- WINSTA® MIDI	355		
- WINSTA® MIDI special	211				
- WINSTA® RD	267	Lockout caps			
- WINSTA® KNX	283	- WINSTA® MINI	353		
		- WINSTA® MINI special	353		
		- WINSTA® MIDI	356		
		- WINSTA® MIDI special	356		
<b>CAGE CLAMP® connection</b>					
	2				
<b>Companies and representatives</b>					
- in Germany	410				
- worldwide	408				
<b>Connecting cables</b>					
- WINSTA® MINI	7				
- WINSTA® MINI special	61				
- WINSTA® MIDI	103				
- WINSTA® MIDI special	211				
- WINSTA® RD	267				
- WINSTA® KNX	283				
<b>D</b>					
Device connectors					
- WINSTA® MINI	7				
- WINSTA® MINI special	61				
- WINSTA® MIDI	103				
- WINSTA® MIDI special	211				
- WINSTA® KNX	283				
<b>Distribution boxes</b>					
	317				
<b>Distribution connectors</b>					
- WINSTA® MINI	7				
- WINSTA® MINI special	61				
- WINSTA® MIDI	103				
- WINSTA® MIDI special	211				
- WINSTA® KNX	283				
<b>E</b>					
Electrical Engineering Laboratory	382				
<b>F</b>					
FAQ	376				
<b>Flat cables</b>					
	293				
<b>H</b>					
<b>I</b>					
<b>L</b>					
<b>M</b>					
<b>O</b>					
<b>P</b>					
<b>S</b>					
<b>T</b>					

Item	Page	Item	Page	Item	Page
<b>T</b>					
Technical information					
- WINSTA® KNX	284				
- WINSTA® IDC	294				
T-distribution connectors					
- WINSTA® MINI	7				
- WINSTA® MINI special	61				
- WINSTA® MIDI	103				
- WINSTA® MIDI special	211				
- WINSTA® KNX	283				
Tools	364				
<b>W</b>					
WAGO					
- in Germany	410				
- worldwide	408				
WAGO SCRIPT, visit <a href="http://www.wago.com">www.wago.com</a>					
Wire strippers	366				
Wiring aid, WINSTA®	368				
<b>Y</b>					
Y-cables	253				

**WINSTA®****Item Number Index**

Item No.	Page	Item No.	Page	Item No.	Page	Item No.	Page
<b>206 Series</b>		<b>770 Series</b>		<b>770 Series</b>		<b>770 Series</b>	
206-118	368	770-245/062-000	242	770-425	175	770-667	138
206-124	366	770-245/064-000	242	770-428	135	770-670	138
206-125	366	770-252	215	770-435	175	770-671	184
206-126	366	770-252/060-000	215	770-438	135	770-672	184
206-127	366	770-253	222	770-450	369	770-673	358
206-128	366	770-253/060-000	222	770-450/000-001	369	770-674	358
		770-253/062-000	222	770-450/000-002	369	770-675	358
		770-254	232	770-450/000-005	369	770-676	168
		770-254/060-000	232	770-450/000-006	369	770-677	168
<b>210 Series</b>		770-254/062-000	232	770-450/000-012	369	770-680	359
210-333	369	770-254/064-000	232			770-683	140
210-334	369	770-255	242	770-502/041-000	112	770-684	140
		770-255/060-000	242	770-502/042-000	112	770-685	140
210-635	364	770-255/062-000	242	770-503	128	770-686	140
210-636	364	770-255/064-000	242	770-503/021-000	129	770-687	142
		770-262	215	770-503/023-000	128	770-688	142
210-719	364	770-263	222	770-503/032-000	129	770-690	187
210-720	364	770-263/071-000	222	770-503/035-000	129	770-693	357
210-721	364	770-263/073-000	222	770-503/038-000	155	770-694	357
210-722	364	770-264	232	770-504	162	770-695	357
		770-264/071-000	232	770-504/023-000	162		
		770-264/072-000	232	770-505	176	770-703	130
<b>770 Series</b>		770-264/073-000	232	770-505/021-000	177	770-703/009-000	130
770-100	368	770-265	242	770-505/023-000	176	770-704	164
770-101	355	770-265/073-000	242	770-506/029-000	208	770-704/009-000	164
770-102/041-000	110	770-272	215	770-507/047-000	209	770-705	178
770-103	126	770-273	222	770-512/041-000	112	770-705/009-000	178
770-104	160	770-273/071-000	222	770-512/042-000	112	770-713	131
770-105	172	770-273/073-000	222	770-513	128	770-713/007-000	131
770-111	355	770-274	232	770-513/021-000	129	770-714	165
770-112/041-000	110	770-274/071-000	232	770-513/023-000	128	770-714/007-000	165
770-113	126	770-274/072-000	232	770-513/032-000	129	770-715	179
770-113/147-000	143	770-274/073-000	232	770-513/035-000	129	770-715/007-000	179
770-114	160	770-275	242	770-513/038-000	155	770-723	130
770-115	172	770-275/073-000	242	770-514	162	770-723/009-000	130
770-121	355	770-282	215	770-514/023-000	162	770-724	164
770-122/041-000	110	770-282/080-000	215	770-515	176	770-724/009-000	164
770-123	126	770-282/082-000	215	770-515/021-000	177	770-725	178
770-124	160	770-283	222	770-515/023-000	176	770-725/009-000	178
770-125	172	770-283/081-000	222	770-516/029-000	208	770-733	131
770-131	355	770-283/082-000	222	770-517/047-000	209	770-733/007-000	131
770-132/041-000	110	770-284	232	770-523	357	770-734	165
770-133	126	770-284/081-000	232			770-734/007-000	165
770-134	160	770-285	242	770-601	358	770-735	179
770-135	172	770-285/080-000	242	770-603	139	770-735/007-000	179
770-140	355	770-285/082-000	242	770-605	185	770-743	224
		770-292	215	770-606	138	770-743/060-000	224
770-201	356	770-292/080-000	215	770-607	141	770-743/062-000	224
770-202	111	770-292/082-000	215	770-608	141	770-744	234
770-203	127	770-293	222	770-609	186	770-744/060-000	234
770-203/035-000	126	770-293/081-000	222	770-611	188	770-744/062-000	234
770-204	161	770-293/082-000	222	770-615	138	770-744/064-000	234
770-205	173	770-294	232	770-617	184	770-745	244
770-212	111	770-294/081-000	232	770-618	186	770-745/060-000	244
770-213	127	770-295	242	770-619	185	770-745/062-000	244
770-213/002-000	134	770-295/080-000	242	770-620	184	770-745/064-000	244
770-213/035-000	126	770-295/082-000	242	770-621	184	770-753	224
770-214	161			770-622	184	770-753/060-000	224
770-215	173	770-305	174	770-623	358	770-753/062-000	224
770-221	356	770-315	174	770-624	358	770-754	234
770-222	111	770-317	113	770-625	358	770-754/060-000	234
770-223	127	770-318	132	770-626	168	770-754/062-000	234
770-223/035-050	126	770-319	163	770-627	168	770-754/064-000	234
770-224	161	770-320	180	770-630	359	770-755	244
770-225	173	770-321	180	770-633	140	770-755/060-000	244
770-232	111	770-325	174	770-634	140	770-755/062-000	244
770-233	127	770-335	174	770-635	140	770-755/064-000	244
770-233/002-000	134	770-337	113	770-636	140	770-763	224
770-233/035-050	126	770-338	132	770-637	142	770-763/071-000	224
770-234	161	770-339	163	770-638	142	770-763/073-000	224
770-235	173	770-340	180	770-640	187	770-764	234
770-242	215	770-341	180	770-643	357	770-764/071-000	234
770-242/060-000	215	770-354	358	770-644	357	770-764/072-000	234
770-243	222	770-360	356	770-645	357	770-764/073-000	234
770-243/060-000	222	770-382	365	770-653	139	770-765	244
770-243/062-000	222	770-383	365	770-655	185	770-765/073-000	244
770-244	232			770-656	138	770-773	224
770-244/060-000	232	770-401	356	770-657	141	770-773/071-000	224
770-244/062-000	232	770-405	175	770-658	141	770-773/073-000	224
770-244/064-000	232	770-408	135	770-659	186	770-774	234
770-245	242	770-415	175	770-661	188	770-774/071-000	234
770-245/060-000	242	770-418	135	770-665	138	770-774/072-000	234

Item No.	Page	Item No.	Page	Item No.	Page	Item No.	Page
<b>770 Series</b>		<b>770 Series</b>		<b>770 Series</b>		<b>771 Series</b>	
770-774/073-000	234	770-902	185	770-1682	239	771-5001/150-000	258
770-775	244	770-903	185	770-1683	239	771-5001/151-000	258
770-775/073-000	244	770-907	141	770-1684	115	771-5001/152-000	258
770-783	224	770-909	186	770-1686	115	771-5001/153-000	258
770-783/081-000	224	770-911	185			771-5001/154-000	258
770-783/082-000	224	770-912	185	770-1701	218	771-5001/155-000	258
770-784	234	770-913	185	770-1702	218	771-5001/156-000	258
770-784/081-000	234	770-921	184	770-1703	218	771-5001/157-000	258
770-785	244	770-922	184	770-1704	218	771-5001/158-000	258
770-785/080-000	244	770-934	140	770-1705	218	771-5001/159-000	258
770-785/082-000	244	770-936	140	770-1706	218	771-5001/160-000	258
770-793	224	770-940	187	770-1712	228	771-5001/161-000	258
770-793/081-000	224	770-944	169	770-1713	228	771-5001/162-000	258
770-793/082-000	224	770-945	169	770-1714	229	771-5001/163-000	258
770-794	234	770-951	185	770-1715	229	771-5001/164-000	258
770-794/081-000	234	770-952	185	770-1716	229	771-5001/165-000	258
770-795	244	770-953	185	770-1731	238	771-5001/166-000	258
770-795/080-000	244	770-967	228	770-1732	238	771-5001/167-000	258
770-795/082-000	244	770-970	228	770-1733	238	771-5001/168-000	258
		770-992	186	770-1734	239	771-5001/169-000	258
770-803	136	770-993	186	770-1735	239	771-5001/170-000	258
770-803/011-000	137	770-994	169	770-1736	239	771-5001/171-000	258
770-804	166	770-995	169	770-1741	248	771-5001/172-000	258
770-804/011-000	167			770-1742	248	771-5001/173-000	258
770-805	182	770-1102	111	770-1743	248	771-5001/174-000	258
770-805/011-000	183	770-1105	173	770-1744	249	771-5001/175-000	258
770-813	136	770-1112	111	770-1745	249	771-5001/176-000	258
770-813/011-000	137	770-1115	173	770-1746	249	771-5001/177-000	258
770-814	166	770-1162	111	770-1751	219	771-5001/178-000	258
770-814/011-000	167	770-1165	173	770-1752	219	771-5001/179-000	258
770-815	182	770-1172	111	770-1753	219	771-5001/180-000	259
770-815/011-000	183	770-1175	173	770-1761	229	771-5001/181-000	259
770-823	136			770-1762	229	771-5001/182-000	259
770-823/011-000	137	770-1303	127	770-1763	229	771-5001/183-000	259
770-824	166	770-1305	173	770-1781	239		
770-824/011-000	167	770-1313	127	770-1782	239	771-6993/006-101	156
770-825	182	770-1315	173	770-1783	239	771-6993/006-102	156
770-825/011-000	183	770-1324	161			771-6993/006-201	156
770-833	136	770-1325	173	770-2105	178	771-6993/006-202	156
770-833/011-000	137	770-1334	161	770-2115	179	771-6993/006-301	156
770-834	166	770-1335	173	770-2115/007-000	179	771-6993/006-302	156
770-834/011-000	167	770-1343	127			771-6993/006-401	156
770-835	182	770-1353	127	770-2303	130	771-6993/006-402	156
770-835/011-000	183	770-1363	127	770-2305	178	771-6993/006-501	156
770-843	226	770-1373	127	770-2313	131	771-6993/006-502	156
770-843/011-000	227	770-1373/146-000	143	770-2313/007-000	131	771-6993/006-601	156
770-844	236	770-1373/147-000	143	770-2315	179	771-6993/006-602	156
770-844/011-000	237	770-1373/148-000	143	770-2324	164	771-6993/006-701	156
770-845	246	770-1373/149-000	143	770-2325	178	771-6993/006-702	156
770-845/011-000	247			770-2334	165	771-6993/006-801	156
770-853	226	770-1601	218	770-2334/007-000	165	771-6993/006-802	156
770-853/011-000	227	770-1602	218	770-2335	179	771-6993/007-101	158
770-854	236	770-1603	218	770-2335/007-000	179	771-6993/007-102	158
770-854/011-000	237	770-1606	114	770-2343	130	771-6993/007-201	158
770-855	246	770-1608	219	770-2353	131	771-6993/007-202	158
770-855/011-000	247	770-1609	219	770-2363	130	771-6993/007-301	158
770-863	226	770-1610	219			771-6993/007-302	158
770-863/011-000	227	770-1612	228	770-3105	182	771-6993/007-401	158
770-864	236	770-1613	228	770-3105/011-000	183	771-6993/007-402	158
770-864/011-000	237	770-1615	114	770-3115	182	771-6993/007-501	158
770-865	246	770-1626	358	770-3115/011-000	183	771-6993/007-502	158
770-865/011-000	247	770-1627	358			771-6993/007-601	158
770-873	226	770-1631	238	770-6223	108	771-6993/007-602	158
770-873/011-000	227	770-1632	238	770-6224	109	771-6993/007-701	158
770-874	236	770-1633	238	770-6225	109	771-6993/007-702	158
770-874/011-000	237	770-1634	115			771-6993/007-801	158
770-875	246	770-1636	115	770-7102	108	771-6993/007-802	158
770-875/011-000	247	770-1641	248	770-7105	109	771-6993/016-101	157
770-883	226	770-1642	248			771-6993/016-102	157
770-883/011-000	227	770-1643	248	770-7502	108	771-6993/016-201	157
770-884	236	770-1651	219	770-7505	109	771-6993/016-202	157
770-884/011-000	237	770-1652	219			771-6993/016-301	157
770-885	246	770-1653	219			771-6993/016-302	157
770-885/011-000	247	770-1656	114	<b>771 Series</b>		771-6993/016-401	157
770-893	226	770-1658	219	771-5001/100-000	257	771-6993/016-402	157
770-893/011-000	227	770-1659	219	771-5001/106-000	256	771-6993/016-501	157
770-894	236	770-1660	219	771-5001/107-000	256	771-6993/016-502	157
770-894/011-000	237	770-1661	229	771-5001/110-000	257	771-6993/016-601	157
770-895	246	770-1662	229	771-5001/131-000	256	771-6993/016-602	157
770-895/011-000	247	770-1663	229	771-5001/132-000	256	771-6993/016-701	157
		770-1665	114	771-5001/148-000	258	771-6993/016-702	157
770-901	185	770-1681	239	771-5001/149-000	258	771-6993/016-801	157

**WINSTA®****Item Number Index**

Item No.	Page	Item No.	Page	Item No.	Page	Item No.	Page
<b>771 Series</b>		<b>771 Series</b>		<b>771 Series</b>		<b>771 Series</b>	
771-6993/016-802	157	771-6993/206-102	156	771-8982/006-102	118	771-8982/017-204	125
771-6993/017-101	159	771-6993/206-201	156	771-8982/006-103	120	771-8982/017-303	125
771-6993/017-102	159	771-6993/206-202	156	771-8982/006-104	120	771-8982/017-304	125
771-6993/017-201	159	771-6993/206-301	156	771-8982/006-201	118	771-8982/017-403	125
771-6993/017-202	159	771-6993/206-302	156	771-8982/006-202	118	771-8982/017-404	125
771-6993/017-301	159	771-6993/206-401	156	771-8982/006-203	120	771-8982/017-503	125
771-6993/017-302	159	771-6993/206-402	156	771-8982/006-204	120	771-8982/017-504	125
771-6993/017-401	159	771-6993/206-501	156	771-8982/006-301	118	771-8982/017-603	125
771-6993/017-402	159	771-6993/206-502	156	771-8982/006-302	118	771-8982/017-604	125
771-6993/017-501	159	771-6993/206-601	156	771-8982/006-303	120	771-8982/017-703	125
771-6993/017-502	159	771-6993/206-602	156	771-8982/006-304	120	771-8982/017-704	125
771-6993/017-601	159	771-6993/206-701	156	771-8982/006-401	118	771-8982/017-803	125
771-6993/017-602	159	771-6993/206-702	156	771-8982/006-402	118	771-8982/017-804	125
771-6993/017-701	159	771-6993/206-801	156	771-8982/006-403	120	771-8982/106-101	118
771-6993/017-702	159	771-6993/206-802	156	771-8982/006-404	120	771-8982/106-102	118
771-6993/017-801	159	771-6993/207-101	158	771-8982/006-501	118	771-8982/106-103	120
771-6993/017-802	159	771-6993/207-102	158	771-8982/006-502	118	771-8982/106-104	120
771-6993/106-101	156	771-6993/207-201	158	771-8982/006-503	120	771-8982/106-201	118
771-6993/106-102	156	771-6993/207-202	158	771-8982/006-504	120	771-8982/106-202	118
771-6993/106-201	156	771-6993/207-301	158	771-8982/006-601	118	771-8982/106-203	120
771-6993/106-202	156	771-6993/207-302	158	771-8982/006-602	118	771-8982/106-204	120
771-6993/106-301	156	771-6993/207-401	158	771-8982/006-603	120	771-8982/106-301	118
771-6993/106-302	156	771-6993/207-402	158	771-8982/006-604	120	771-8982/106-302	118
771-6993/106-401	156	771-6993/207-501	158	771-8982/006-701	118	771-8982/106-303	120
771-6993/106-402	156	771-6993/207-502	158	771-8982/006-702	118	771-8982/106-304	120
771-6993/106-501	156	771-6993/207-601	158	771-8982/006-703	120	771-8982/106-401	118
771-6993/106-502	156	771-6993/207-602	158	771-8982/006-704	120	771-8982/106-402	118
771-6993/106-601	156	771-6993/207-701	158	771-8982/006-801	118	771-8982/106-403	120
771-6993/106-602	156	771-6993/207-702	158	771-8982/006-802	118	771-8982/106-404	120
771-6993/106-701	156	771-6993/207-801	158	771-8982/006-803	120	771-8982/106-501	118
771-6993/106-702	156	771-6993/207-802	158	771-8982/006-804	120	771-8982/106-502	118
771-6993/106-801	156	771-6993/216-101	157	771-8982/007-103	124	771-8982/106-503	120
771-6993/106-802	156	771-6993/216-102	157	771-8982/007-104	124	771-8982/106-504	120
771-6993/107-101	158	771-6993/216-201	157	771-8982/007-203	124	771-8982/106-601	118
771-6993/107-102	158	771-6993/216-202	157	771-8982/007-204	124	771-8982/106-602	118
771-6993/107-201	158	771-6993/216-301	157	771-8982/007-303	124	771-8982/106-603	120
771-6993/107-202	158	771-6993/216-302	157	771-8982/007-304	124	771-8982/106-604	120
771-6993/107-301	158	771-6993/216-401	157	771-8982/007-403	124	771-8982/106-701	118
771-6993/107-302	158	771-6993/216-402	157	771-8982/007-404	124	771-8982/106-702	118
771-6993/107-401	158	771-6993/216-501	157	771-8982/007-503	124	771-8982/106-703	120
771-6993/107-402	158	771-6993/216-502	157	771-8982/007-504	124	771-8982/106-704	120
771-6993/107-501	158	771-6993/216-601	157	771-8982/007-603	124	771-8982/106-801	118
771-6993/107-502	158	771-6993/216-602	157	771-8982/007-604	124	771-8982/106-802	118
771-6993/107-601	158	771-6993/216-701	157	771-8982/007-703	124	771-8982/106-803	120
771-6993/107-602	158	771-6993/216-702	157	771-8982/007-704	124	771-8982/106-804	120
771-6993/107-701	158	771-6993/216-801	157	771-8982/007-803	124	771-8982/107-103	124
771-6993/107-702	158	771-6993/216-802	157	771-8982/007-804	124	771-8982/107-104	124
771-6993/107-801	158	771-6993/217-101	159	771-8982/016-101	119	771-8982/107-203	124
771-6993/107-802	158	771-6993/217-102	159	771-8982/016-102	119	771-8982/107-204	124
771-6993/116-101	157	771-6993/217-201	159	771-8982/016-103	121	771-8982/107-303	124
771-6993/116-102	157	771-6993/217-202	159	771-8982/016-104	121	771-8982/107-304	124
771-6993/116-201	157	771-6993/217-301	159	771-8982/016-201	119	771-8982/107-403	124
771-6993/116-202	157	771-6993/217-302	159	771-8982/016-202	119	771-8982/107-404	124
771-6993/116-301	157	771-6993/217-401	159	771-8982/016-203	121	771-8982/107-503	124
771-6993/116-302	157	771-6993/217-402	159	771-8982/016-204	121	771-8982/107-504	124
771-6993/116-401	157	771-6993/217-501	159	771-8982/016-301	119	771-8982/107-603	124
771-6993/116-402	157	771-6993/217-502	159	771-8982/016-302	119	771-8982/107-604	124
771-6993/116-501	157	771-6993/217-601	159	771-8982/016-303	121	771-8982/107-703	124
771-6993/116-502	157	771-6993/217-602	159	771-8982/016-304	121	771-8982/107-704	124
771-6993/116-601	157	771-6993/217-701	159	771-8982/016-401	119	771-8982/107-803	124
771-6993/116-602	157	771-6993/217-702	159	771-8982/016-402	119	771-8982/107-804	124
771-6993/116-701	157	771-6993/217-801	159	771-8982/016-403	121	771-8982/116-101	119
771-6993/116-702	157	771-6993/217-802	159	771-8982/016-404	121	771-8982/116-102	119
771-6993/116-801	157			771-8982/016-501	119	771-8982/116-103	121
771-6993/116-802	157	771-8965/007-101	189	771-8982/016-502	119	771-8982/116-104	121
771-6993/117-101	159	771-8965/007-102	189	771-8982/016-503	121	771-8982/116-201	119
771-6993/117-102	159	771-8965/007-201	189	771-8982/016-504	121	771-8982/116-202	119
771-6993/117-201	159	771-8965/007-202	189	771-8982/016-601	119	771-8982/116-203	121
771-6993/117-202	159	771-8965/017-101	189	771-8982/016-602	119	771-8982/116-204	121
771-6993/117-301	159	771-8965/017-102	189	771-8982/016-603	121	771-8982/116-301	119
771-6993/117-302	159	771-8965/017-201	189	771-8982/016-604	121	771-8982/116-302	119
771-6993/117-401	159	771-8965/017-202	189	771-8982/016-701	119	771-8982/116-303	121
771-6993/117-402	159	771-8965/107-101	189	771-8982/016-702	119	771-8982/116-304	121
771-6993/117-501	159	771-8965/107-102	189	771-8982/016-703	121	771-8982/116-401	119
771-6993/117-502	159	771-8965/107-201	189	771-8982/016-704	121	771-8982/116-402	119
771-6993/117-601	159	771-8965/107-202	189	771-8982/016-801	119	771-8982/116-403	121
771-6993/117-602	159	771-8965/117-101	189	771-8982/016-802	119	771-8982/116-404	121
771-6993/117-701	159	771-8965/117-102	189	771-8982/016-803	121	771-8982/116-501	119
771-6993/117-702	159	771-8965/117-201	189	771-8982/016-804	121	771-8982/116-502	119
771-6993/117-801	159	771-8965/117-202	189	771-8982/017-103	125	771-8982/116-503	121
771-6993/117-802	159			771-8982/017-104	125	771-8982/116-504	121
771-6993/206-101	156	771-8982/006-101	118	771-8982/017-203	125	771-8982/116-601	119



Item No.	Page	Item No.	Page	Item No.	Page	Item No.	Page
<b>771 Series</b>		<b>771 Series</b>		<b>771 Series</b>		<b>771 Series</b>	
771-8982/116-602	119	771-8982/216-204	121	771-8985/016-503	195	771-8985/117-603	203
771-8982/116-603	121	771-8982/216-301	119	771-8985/016-504	195	771-8985/117-604	203
771-8982/116-604	121	771-8982/216-302	119	771-8985/016-603	195	771-8985/117-703	203
771-8982/116-701	119	771-8982/216-303	121	771-8985/016-604	195	771-8985/117-704	203
771-8982/116-702	119	771-8982/216-304	121	771-8985/016-703	195	771-8985/117-803	203
771-8982/116-703	121	771-8982/216-401	119	771-8985/016-704	195	771-8985/117-804	203
771-8982/116-704	121	771-8982/216-402	119	771-8985/016-803	195	771-8985/206-103	194
771-8982/116-801	119	771-8982/216-403	121	771-8985/016-804	195	771-8985/206-104	194
771-8982/116-802	119	771-8982/216-404	121	771-8985/017-103	203	771-8985/206-203	194
771-8982/116-803	121	771-8982/216-501	119	771-8985/017-104	203	771-8985/206-204	194
771-8982/116-804	121	771-8982/216-502	119	771-8985/017-203	203	771-8985/206-303	194
771-8982/117-103	125	771-8982/216-503	121	771-8985/017-204	203	771-8985/206-304	194
771-8982/117-104	125	771-8982/216-504	121	771-8985/017-303	203	771-8985/206-403	194
771-8982/117-203	125	771-8982/216-601	119	771-8985/017-304	203	771-8985/206-404	194
771-8982/117-204	125	771-8982/216-602	119	771-8985/017-403	203	771-8985/206-503	194
771-8982/117-303	125	771-8982/216-603	121	771-8985/017-404	203	771-8985/206-504	194
771-8982/117-304	125	771-8982/216-604	121	771-8985/017-503	203	771-8985/206-603	194
771-8982/117-403	125	771-8982/216-701	119	771-8985/017-504	203	771-8985/206-604	194
771-8982/117-404	125	771-8982/216-702	119	771-8985/017-603	203	771-8985/206-703	194
771-8982/117-503	125	771-8982/216-703	121	771-8985/017-604	203	771-8985/206-704	194
771-8982/117-504	125	771-8982/216-704	121	771-8985/017-703	203	771-8985/206-803	194
771-8982/117-603	125	771-8982/216-801	119	771-8985/017-704	203	771-8985/206-804	194
771-8982/117-604	125	771-8982/216-802	119	771-8985/017-803	203	771-8985/207-103	202
771-8982/117-703	125	771-8982/216-803	121	771-8985/017-804	203	771-8985/207-104	202
771-8982/117-704	125	771-8982/216-804	121	771-8985/106-103	194	771-8985/207-203	202
771-8982/117-803	125	771-8982/217-103	125	771-8985/106-104	194	771-8985/207-204	202
771-8982/117-804	125	771-8982/217-104	125	771-8985/106-203	194	771-8985/207-303	202
771-8982/206-101	118	771-8982/217-203	125	771-8985/106-204	194	771-8985/207-304	202
771-8982/206-102	118	771-8982/217-204	125	771-8985/106-303	194	771-8985/207-403	202
771-8982/206-103	120	771-8982/217-303	125	771-8985/106-304	194	771-8985/207-404	202
771-8982/206-104	120	771-8982/217-304	125	771-8985/106-403	194	771-8985/207-503	202
771-8982/206-201	118	771-8982/217-403	125	771-8985/106-404	194	771-8985/207-504	202
771-8982/206-202	118	771-8982/217-404	125	771-8985/106-503	194	771-8985/207-603	202
771-8982/206-203	120	771-8982/217-503	125	771-8985/106-504	194	771-8985/207-604	202
771-8982/206-204	120	771-8982/217-504	125	771-8985/106-603	194	771-8985/207-703	202
771-8982/206-301	118	771-8982/217-603	125	771-8985/106-604	194	771-8985/207-704	202
771-8982/206-302	118	771-8982/217-604	125	771-8985/106-703	194	771-8985/207-803	202
771-8982/206-303	120	771-8982/217-703	125	771-8985/106-704	194	771-8985/207-804	202
771-8982/206-304	120	771-8982/217-704	125	771-8985/106-803	194	771-8985/216-103	195
771-8982/206-401	118	771-8982/217-803	125	771-8985/106-804	194	771-8985/216-104	195
771-8982/206-402	118	771-8982/217-804	125	771-8985/107-103	202	771-8985/216-203	195
771-8982/206-403	120			771-8985/107-104	202	771-8985/216-204	195
771-8982/206-404	120	771-8985/006-103	194	771-8985/107-203	202	771-8985/216-303	195
771-8982/206-501	118	771-8985/006-104	194	771-8985/107-204	202	771-8985/216-304	195
771-8982/206-502	118	771-8985/006-203	194	771-8985/107-303	202	771-8985/216-403	195
771-8982/206-503	120	771-8985/006-204	194	771-8985/107-304	202	771-8985/216-404	195
771-8982/206-504	120	771-8985/006-303	194	771-8985/107-403	202	771-8985/216-503	195
771-8982/206-601	118	771-8985/006-304	194	771-8985/107-404	202	771-8985/216-504	195
771-8982/206-602	118	771-8985/006-403	194	771-8985/107-503	202	771-8985/216-603	195
771-8982/206-603	120	771-8985/006-404	194	771-8985/107-504	202	771-8985/216-604	195
771-8982/206-604	120	771-8985/006-503	194	771-8985/107-603	202	771-8985/216-703	195
771-8982/206-701	118	771-8985/006-504	194	771-8985/107-604	202	771-8985/216-704	195
771-8982/206-702	118	771-8985/006-603	194	771-8985/107-703	202	771-8985/216-803	195
771-8982/206-703	120	771-8985/006-604	194	771-8985/107-704	202	771-8985/216-804	195
771-8982/206-704	120	771-8985/006-703	194	771-8985/107-803	202	771-8985/217-103	203
771-8982/206-801	118	771-8985/006-704	194	771-8985/107-804	202	771-8985/217-104	203
771-8982/206-802	118	771-8985/006-803	194	771-8985/116-103	195	771-8985/217-203	203
771-8982/206-803	120	771-8985/006-804	194	771-8985/116-104	195	771-8985/217-204	203
771-8982/206-804	120	771-8985/007-103	202	771-8985/116-203	195	771-8985/217-303	203
771-8982/207-103	124	771-8985/007-104	202	771-8985/116-204	195	771-8985/217-304	203
771-8982/207-104	124	771-8985/007-203	202	771-8985/116-303	195	771-8985/217-403	203
771-8982/207-203	124	771-8985/007-204	202	771-8985/116-304	195	771-8985/217-404	203
771-8982/207-204	124	771-8985/007-303	202	771-8985/116-403	195	771-8985/217-503	203
771-8982/207-303	124	771-8985/007-304	202	771-8985/116-404	195	771-8985/217-504	203
771-8982/207-304	124	771-8985/007-403	202	771-8985/116-503	195	771-8985/217-603	203
771-8982/207-403	124	771-8985/007-404	202	771-8985/116-504	195	771-8985/217-604	203
771-8982/207-404	124	771-8985/007-503	202	771-8985/116-603	195	771-8985/217-703	203
771-8982/207-503	124	771-8985/007-504	202	771-8985/116-604	195	771-8985/217-704	203
771-8982/207-504	124	771-8985/007-603	202	771-8985/116-703	195	771-8985/217-803	203
771-8982/207-603	124	771-8985/007-604	202	771-8985/116-704	195	771-8985/217-804	203
771-8982/207-604	124	771-8985/007-703	202	771-8985/116-803	195		
771-8982/207-703	124	771-8985/007-704	202	771-8985/116-804	195	771-8992/005-103	220
771-8982/207-704	124	771-8985/007-803	202	771-8985/117-103	203	771-8992/005-105	220
771-8982/207-803	124	771-8985/007-804	202	771-8985/117-104	203	771-8992/005-107	220
771-8982/207-804	124	771-8985/016-103	195	771-8985/117-203	203	771-8992/005-203	220
771-8982/216-101	119	771-8985/016-104	195	771-8985/117-204	203	771-8992/005-205	220
771-8982/216-102	119	771-8985/016-203	195	771-8985/117-303	203	771-8992/005-207	220
771-8982/216-103	121	771-8985/016-204	195	771-8985/117-304	203	771-8992/005-303	220
771-8982/216-104	121	771-8985/016-303	195	771-8985/117-403	203	771-8992/005-305	220
771-8982/216-201	119	771-8985/016-304	195	771-8985/117-404	203	771-8992/005-307	220
771-8982/216-202	119	771-8985/016-403	195	771-8985/117-503	203	771-8992/005-403	220
771-8982/216-203	121	771-8985/016-404	195	771-8985/117-504	203	771-8992/005-405	220

WINSTA®

## Item Number Index

Item No.	Page	Item No.	Page	Item No.	Page	Item No.	Page
<b>771 Series</b>		<b>771 Series</b>		<b>771 Series</b>		<b>771 Series</b>	
771-8992/005-407	220	771-8992/016-702	117	771-8992/106-807	221	771-8992/206-207	221
771-8992/005-503	220	771-8992/016-801	117	771-8992/107-101	122	771-8992/206-301	116
771-8992/005-505	220	771-8992/016-802	117	771-8992/107-102	122	771-8992/206-302	116
771-8992/005-507	220	771-8992/017-101	123	771-8992/107-201	122	771-8992/206-303	221
771-8992/005-603	220	771-8992/017-102	123	771-8992/107-202	122	771-8992/206-305	221
771-8992/005-605	220	771-8992/017-201	123	771-8992/107-301	122	771-8992/206-307	221
771-8992/005-607	220	771-8992/017-202	123	771-8992/107-302	122	771-8992/206-401	116
771-8992/005-703	220	771-8992/017-301	123	771-8992/107-401	122	771-8992/206-402	116
771-8992/005-705	220	771-8992/017-302	123	771-8992/107-402	122	771-8992/206-403	221
771-8992/005-707	220	771-8992/017-401	123	771-8992/107-501	122	771-8992/206-405	221
771-8992/005-803	220	771-8992/017-402	123	771-8992/107-502	122	771-8992/206-407	221
771-8992/005-805	220	771-8992/017-501	123	771-8992/107-601	122	771-8992/206-501	116
771-8992/005-807	220	771-8992/017-502	123	771-8992/107-602	122	771-8992/206-502	116
771-8992/006-101	116	771-8992/017-601	123	771-8992/107-701	122	771-8992/206-503	221
771-8992/006-102	116	771-8992/017-602	123	771-8992/107-702	122	771-8992/206-505	221
771-8992/006-103	221	771-8992/017-701	123	771-8992/107-801	122	771-8992/206-507	221
771-8992/006-105	221	771-8992/017-702	123	771-8992/107-802	122	771-8992/206-601	116
771-8992/006-107	221	771-8992/017-801	123	771-8992/116-101	117	771-8992/206-602	116
771-8992/006-201	116	771-8992/017-802	123	771-8992/116-102	117	771-8992/206-603	221
771-8992/006-202	116	771-8992/105-103	220	771-8992/116-201	117	771-8992/206-605	221
771-8992/006-203	221	771-8992/105-105	220	771-8992/116-202	117	771-8992/206-607	221
771-8992/006-205	221	771-8992/105-107	220	771-8992/116-301	117	771-8992/206-701	116
771-8992/006-207	221	771-8992/105-203	220	771-8992/116-302	117	771-8992/206-702	116
771-8992/006-301	116	771-8992/105-205	220	771-8992/116-401	117	771-8992/206-703	221
771-8992/006-302	116	771-8992/105-207	220	771-8992/116-402	117	771-8992/206-705	221
771-8992/006-303	221	771-8992/105-303	220	771-8992/116-501	117	771-8992/206-707	221
771-8992/006-305	221	771-8992/105-305	220	771-8992/116-502	117	771-8992/206-801	116
771-8992/006-307	221	771-8992/105-307	220	771-8992/116-601	117	771-8992/206-802	116
771-8992/006-401	116	771-8992/105-403	220	771-8992/116-602	117	771-8992/206-803	221
771-8992/006-402	116	771-8992/105-405	220	771-8992/116-701	117	771-8992/206-805	221
771-8992/006-403	221	771-8992/105-407	220	771-8992/116-702	117	771-8992/206-807	221
771-8992/006-405	221	771-8992/105-503	220	771-8992/116-801	117	771-8992/207-101	122
771-8992/006-407	221	771-8992/105-505	220	771-8992/116-802	117	771-8992/207-102	122
771-8992/006-501	116	771-8992/105-507	220	771-8992/117-101	123	771-8992/207-201	122
771-8992/006-502	116	771-8992/105-603	220	771-8992/117-102	123	771-8992/207-202	122
771-8992/006-503	221	771-8992/105-605	220	771-8992/117-201	123	771-8992/207-301	122
771-8992/006-505	221	771-8992/105-607	220	771-8992/117-202	123	771-8992/207-302	122
771-8992/006-507	221	771-8992/105-703	220	771-8992/117-301	123	771-8992/207-401	122
771-8992/006-601	116	771-8992/105-705	220	771-8992/117-302	123	771-8992/207-402	122
771-8992/006-602	116	771-8992/105-707	220	771-8992/117-401	123	771-8992/207-501	122
771-8992/006-603	221	771-8992/105-803	220	771-8992/117-402	123	771-8992/207-502	122
771-8992/006-605	221	771-8992/105-805	220	771-8992/117-501	123	771-8992/207-601	122
771-8992/006-607	221	771-8992/105-807	220	771-8992/117-502	123	771-8992/207-602	122
771-8992/006-701	116	771-8992/106-101	116	771-8992/117-601	123	771-8992/207-701	122
771-8992/006-702	116	771-8992/106-102	116	771-8992/117-602	123	771-8992/207-702	122
771-8992/006-703	221	771-8992/106-103	221	771-8992/117-701	123	771-8992/207-801	122
771-8992/006-705	221	771-8992/106-105	221	771-8992/117-702	123	771-8992/207-802	122
771-8992/006-707	221	771-8992/106-107	221	771-8992/117-801	123	771-8992/216-101	117
771-8992/006-801	116	771-8992/106-201	116	771-8992/117-802	123	771-8992/216-102	117
771-8992/006-802	116	771-8992/106-202	116	771-8992/205-103	220	771-8992/216-201	117
771-8992/006-803	221	771-8992/106-203	221	771-8992/205-105	220	771-8992/216-202	117
771-8992/006-805	221	771-8992/106-205	221	771-8992/205-107	220	771-8992/216-301	117
771-8992/006-807	221	771-8992/106-207	221	771-8992/205-203	220	771-8992/216-302	117
771-8992/007-101	122	771-8992/106-301	116	771-8992/205-205	220	771-8992/216-401	117
771-8992/007-102	122	771-8992/106-302	116	771-8992/205-207	220	771-8992/216-402	117
771-8992/007-201	122	771-8992/106-303	221	771-8992/205-303	220	771-8992/216-501	117
771-8992/007-202	122	771-8992/106-305	221	771-8992/205-305	220	771-8992/216-502	117
771-8992/007-301	122	771-8992/106-307	221	771-8992/205-307	220	771-8992/216-601	117
771-8992/007-302	122	771-8992/106-401	116	771-8992/205-403	220	771-8992/216-602	117
771-8992/007-401	122	771-8992/106-402	116	771-8992/205-405	220	771-8992/216-701	117
771-8992/007-402	122	771-8992/106-403	221	771-8992/205-407	220	771-8992/216-702	117
771-8992/007-501	122	771-8992/106-405	221	771-8992/205-503	220	771-8992/216-801	117
771-8992/007-502	122	771-8992/106-407	221	771-8992/205-505	220	771-8992/216-802	117
771-8992/007-601	122	771-8992/106-501	116	771-8992/205-507	220	771-8992/217-101	123
771-8992/007-602	122	771-8992/106-502	116	771-8992/205-603	220	771-8992/217-102	123
771-8992/007-701	122	771-8992/106-503	221	771-8992/205-605	220	771-8992/217-201	123
771-8992/007-702	122	771-8992/106-505	221	771-8992/205-607	220	771-8992/217-202	123
771-8992/007-801	122	771-8992/106-507	221	771-8992/205-703	220	771-8992/217-301	123
771-8992/007-802	122	771-8992/106-601	116	771-8992/205-705	220	771-8992/217-302	123
771-8992/016-101	117	771-8992/106-602	116	771-8992/205-707	220	771-8992/217-401	123
771-8992/016-102	117	771-8992/106-603	221	771-8992/205-803	220	771-8992/217-402	123
771-8992/016-201	117	771-8992/106-605	221	771-8992/205-805	220	771-8992/217-501	123
771-8992/016-202	117	771-8992/106-607	221	771-8992/205-807	220	771-8992/217-502	123
771-8992/016-301	117	771-8992/106-701	116	771-8992/206-101	116	771-8992/217-601	123
771-8992/016-302	117	771-8992/106-702	116	771-8992/206-102	116	771-8992/217-602	123
771-8992/016-401	117	771-8992/106-703	221	771-8992/206-103	221	771-8992/217-701	123
771-8992/016-402	117	771-8992/106-705	221	771-8992/206-105	221	771-8992/217-702	123
771-8992/016-501	117	771-8992/106-707	221	771-8992/206-107	221	771-8992/217-801	123
771-8992/016-502	117	771-8992/106-801	116	771-8992/206-201	116	771-8992/217-802	123
771-8992/016-601	117	771-8992/106-802	116	771-8992/206-202	116		
771-8992/016-602	117	771-8992/106-803	221	771-8992/206-203	221		
771-8992/016-701	117	771-8992/106-805	221	771-8992/206-205	221	771-8993/1004-051	254

Item No.	Page	Item No.	Page	Item No.	Page	Item No.	Page
<b>771 Series</b>		<b>771 Series</b>		<b>771 Series</b>		<b>771 Series</b>	
771-8995/008-101	206	771-9973/007-502	152	771-9973/116-202	147	771-9973/216-202	147
771-8995/008-201	206	771-9973/007-601	152	771-9973/116-301	147	771-9973/216-204	149
771-8995/008-301	206	771-9973/007-602	152	771-9973/116-302	147	771-9973/216-205	149
771-8995/008-401	206	771-9973/007-701	152	771-9973/116-401	147	771-9973/216-301	147
771-8995/008-501	206	771-9973/007-702	152	771-9973/116-402	147	771-9973/216-302	147
771-8995/008-601	206	771-9973/007-801	152	771-9973/116-501	147	771-9973/216-304	149
771-8995/008-701	206	771-9973/007-802	152	771-9973/116-502	147	771-9973/216-305	149
771-8995/008-801	206	771-9973/016-101	147	771-9973/116-601	147	771-9973/216-401	147
771-8995/018-101	207	771-9973/016-102	147	771-9973/116-602	147	771-9973/216-402	147
771-8995/018-201	207	771-9973/016-105	149	771-9973/116-701	147	771-9973/216-404	149
771-8995/018-301	207	771-9973/016-201	147	771-9973/116-702	147	771-9973/216-405	149
771-8995/018-401	207	771-9973/016-202	147	771-9973/116-801	147	771-9973/216-501	147
771-8995/018-501	207	771-9973/016-205	149	771-9973/116-802	147	771-9973/216-502	147
771-8995/018-601	207	771-9973/016-301	147	771-9973/117-101	153	771-9973/216-504	149
771-8995/018-701	207	771-9973/016-302	147	771-9973/117-102	153	771-9973/216-505	149
771-8995/018-801	207	771-9973/016-305	149	771-9973/117-201	153	771-9973/216-601	147
771-8995/108-101	206	771-9973/016-401	147	771-9973/117-202	153	771-9973/216-602	147
771-8995/108-201	206	771-9973/016-402	147	771-9973/117-301	153	771-9973/216-604	149
771-8995/108-301	206	771-9973/016-405	149	771-9973/117-302	153	771-9973/216-605	149
771-8995/108-401	206	771-9973/016-501	147	771-9973/117-401	153	771-9973/216-701	147
771-8995/108-501	206	771-9973/016-502	147	771-9973/117-402	153	771-9973/216-702	147
771-8995/108-601	206	771-9973/016-505	149	771-9973/117-501	153	771-9973/216-704	149
771-8995/108-701	206	771-9973/016-601	147	771-9973/117-502	153	771-9973/216-705	149
771-8995/108-801	206	771-9973/016-602	147	771-9973/117-601	153	771-9973/216-801	147
771-8995/118-101	207	771-9973/016-605	149	771-9973/117-602	153	771-9973/216-802	147
771-8995/118-201	207	771-9973/016-701	147	771-9973/117-701	153	771-9973/216-804	149
771-8995/118-301	207	771-9973/016-702	147	771-9973/117-702	153	771-9973/216-805	149
771-8995/118-401	207	771-9973/016-705	149	771-9973/117-801	153	771-9973/217-101	153
771-8995/118-501	207	771-9973/016-801	147	771-9973/117-802	153	771-9973/217-102	153
771-8995/118-601	207	771-9973/016-802	147	771-9973/206-101	146	771-9973/217-201	153
771-8995/118-701	207	771-9973/016-805	149	771-9973/206-102	146	771-9973/217-202	153
771-8995/118-801	207	771-9973/017-101	153	771-9973/206-104	148	771-9973/217-301	153
771-8995/208-101	206	771-9973/017-102	153	771-9973/206-105	148	771-9973/217-302	153
771-8995/208-201	206	771-9973/017-201	153	771-9973/206-201	146	771-9973/217-401	153
771-8995/208-301	206	771-9973/017-202	153	771-9973/206-202	146	771-9973/217-402	153
771-8995/208-401	206	771-9973/017-301	153	771-9973/206-204	148	771-9973/217-501	153
771-8995/208-501	206	771-9973/017-302	153	771-9973/206-205	148	771-9973/217-502	153
771-8995/208-601	206	771-9973/017-401	153	771-9973/206-301	146	771-9973/217-601	153
771-8995/208-701	206	771-9973/017-402	153	771-9973/206-302	146	771-9973/217-602	153
771-8995/208-801	206	771-9973/017-501	153	771-9973/206-304	148	771-9973/217-701	153
771-8995/218-101	207	771-9973/017-502	153	771-9973/206-305	148	771-9973/217-702	153
771-8995/218-201	207	771-9973/017-601	153	771-9973/206-401	146	771-9973/217-801	153
771-8995/218-301	207	771-9973/017-602	153	771-9973/206-402	146	771-9973/217-802	153
771-8995/218-401	207	771-9973/017-701	153	771-9973/206-404	148		
771-8995/218-501	207	771-9973/017-702	153	771-9973/206-405	148	771-9975/006-101	196
771-8995/218-601	207	771-9973/017-801	153	771-9973/206-501	146	771-9975/006-102	196
771-8995/218-701	207	771-9973/017-802	153	771-9973/206-502	146	771-9975/006-201	196
771-8995/218-801	207	771-9973/106-101	146	771-9973/206-504	148	771-9975/006-202	196
		771-9973/106-102	146	771-9973/206-505	148	771-9975/006-301	196
771-9973/006-101	146	771-9973/106-201	146	771-9973/206-601	146	771-9975/006-302	196
771-9973/006-102	146	771-9973/106-202	146	771-9973/206-602	146	771-9975/006-401	196
771-9973/006-105	148	771-9973/106-301	146	771-9973/206-604	148	771-9975/006-402	196
771-9973/006-201	146	771-9973/106-302	146	771-9973/206-605	148	771-9975/006-501	196
771-9973/006-202	146	771-9973/106-401	146	771-9973/206-701	146	771-9975/006-502	196
771-9973/006-205	148	771-9973/106-402	146	771-9973/206-702	146	771-9975/006-601	196
771-9973/006-301	146	771-9973/106-501	146	771-9973/206-704	148	771-9975/006-602	196
771-9973/006-302	146	771-9973/106-502	146	771-9973/206-705	148	771-9975/006-701	196
771-9973/006-305	148	771-9973/106-601	146	771-9973/206-801	146	771-9975/006-702	196
771-9973/006-401	146	771-9973/106-602	146	771-9973/206-802	146	771-9975/006-801	196
771-9973/006-402	146	771-9973/106-701	146	771-9973/206-804	148	771-9975/006-802	196
771-9973/006-405	148	771-9973/106-702	146	771-9973/206-805	148	771-9975/007-101	204
771-9973/006-501	146	771-9973/106-801	146	771-9973/207-101	152	771-9975/007-102	204
771-9973/006-502	146	771-9973/106-802	146	771-9973/207-102	152	771-9975/007-201	204
771-9973/006-505	148	771-9973/107-101	152	771-9973/207-201	152	771-9975/007-202	204
771-9973/006-601	146	771-9973/107-102	152	771-9973/207-202	152	771-9975/007-301	204
771-9973/006-602	146	771-9973/107-201	152	771-9973/207-301	152	771-9975/007-302	204
771-9973/006-605	148	771-9973/107-202	152	771-9973/207-302	152	771-9975/007-401	204
771-9973/006-701	146	771-9973/107-301	152	771-9973/207-401	152	771-9975/007-402	204
771-9973/006-702	146	771-9973/107-302	152	771-9973/207-402	152	771-9975/007-501	204
771-9973/006-705	148	771-9973/107-401	152	771-9973/207-501	152	771-9975/007-502	204
771-9973/006-801	146	771-9973/107-402	152	771-9973/207-502	152	771-9975/007-601	204
771-9973/006-802	146	771-9973/107-501	152	771-9973/207-601	152	771-9975/007-602	204
771-9973/006-805	148	771-9973/107-502	152	771-9973/207-602	152	771-9975/007-701	204
771-9973/007-101	152	771-9973/107-601	152	771-9973/207-701	152	771-9975/007-702	204
771-9973/007-102	152	771-9973/107-602	152	771-9973/207-702	152	771-9975/007-801	204
771-9973/007-201	152	771-9973/107-701	152	771-9973/207-801	152	771-9975/007-802	204
771-9973/007-202	152	771-9973/107-702	152	771-9973/207-802	152	771-9975/016-101	197
771-9973/007-301	152	771-9973/107-801	152	771-9973/216-101	147	771-9975/016-102	197
771-9973/007-302	152	771-9973/107-802	152	771-9973/216-102	147	771-9975/016-201	197
771-9973/007-401	152	771-9973/116-101	147	771-9973/216-104	149	771-9975/016-202	197
771-9973/007-402	152	771-9973/116-102	147	771-9973/216-105	149	771-9975/016-301	197
771-9973/007-501	152	771-9973/116-201	147	771-9973/216-201	147	771-9975/016-302	197



Item No.	Page	Item No.	Page	Item No.	Page	Item No.	Page
<b>771 Series</b>		<b>771 Series</b>		<b>771 Series</b>		<b>771 Series</b>	
771-9985/216-702	193	771-9993/006-805	231	771-9993/106-205	231	771-9993/205-107	230
771-9985/216-801	193	771-9993/006-807	231	771-9993/106-207	231	771-9993/205-203	230
771-9985/216-802	193	771-9993/007-101	150	771-9993/106-301	144	771-9993/205-205	230
771-9985/217-101	201	771-9993/007-102	150	771-9993/106-302	144	771-9993/205-207	230
771-9985/217-102	201	771-9993/007-201	150	771-9993/106-303	231	771-9993/205-303	230
771-9985/217-201	201	771-9993/007-202	150	771-9993/106-305	231	771-9993/205-305	230
771-9985/217-202	201	771-9993/007-301	150	771-9993/106-307	231	771-9993/205-307	230
771-9985/217-301	201	771-9993/007-302	150	771-9993/106-401	144	771-9993/205-403	230
771-9985/217-302	201	771-9993/007-401	150	771-9993/106-402	144	771-9993/205-405	230
771-9985/217-401	201	771-9993/007-402	150	771-9993/106-403	231	771-9993/205-407	230
771-9985/217-402	201	771-9993/007-501	150	771-9993/106-405	231	771-9993/205-503	230
771-9985/217-501	201	771-9993/007-502	150	771-9993/106-407	231	771-9993/205-505	230
771-9985/217-502	201	771-9993/007-601	150	771-9993/106-501	144	771-9993/205-507	230
771-9985/217-601	201	771-9993/007-602	150	771-9993/106-502	144	771-9993/205-603	230
771-9985/217-602	201	771-9993/007-701	150	771-9993/106-503	231	771-9993/205-605	230
771-9985/217-701	201	771-9993/007-702	150	771-9993/106-505	231	771-9993/205-607	230
771-9985/217-702	201	771-9993/007-801	150	771-9993/106-507	231	771-9993/205-703	230
771-9985/217-801	201	771-9993/007-802	150	771-9993/106-601	144	771-9993/205-705	230
771-9985/217-802	201	771-9993/016-101	145	771-9993/106-602	144	771-9993/205-707	230
		771-9993/016-102	145	771-9993/106-603	231	771-9993/205-803	230
771-9993/005-103	230	771-9993/016-201	145	771-9993/106-605	231	771-9993/205-805	230
771-9993/005-105	230	771-9993/016-202	145	771-9993/106-607	231	771-9993/205-807	230
771-9993/005-107	230	771-9993/016-301	145	771-9993/106-701	144	771-9993/206-101	144
771-9993/005-203	230	771-9993/016-302	145	771-9993/106-702	144	771-9993/206-102	144
771-9993/005-205	230	771-9993/016-401	145	771-9993/106-703	231	771-9993/206-103	231
771-9993/005-207	230	771-9993/016-402	145	771-9993/106-705	231	771-9993/206-105	231
771-9993/005-303	230	771-9993/016-501	145	771-9993/106-707	231	771-9993/206-107	231
771-9993/005-305	230	771-9993/016-502	145	771-9993/106-801	144	771-9993/206-201	144
771-9993/005-307	230	771-9993/016-601	145	771-9993/106-802	144	771-9993/206-202	144
771-9993/005-403	230	771-9993/016-602	145	771-9993/106-803	231	771-9993/206-203	231
771-9993/005-405	230	771-9993/016-701	145	771-9993/106-805	231	771-9993/206-205	231
771-9993/005-407	230	771-9993/016-702	145	771-9993/106-807	231	771-9993/206-207	231
771-9993/005-503	230	771-9993/016-801	145	771-9993/107-101	150	771-9993/206-301	144
771-9993/005-505	230	771-9993/016-802	145	771-9993/107-102	150	771-9993/206-302	144
771-9993/005-507	230	771-9993/017-101	151	771-9993/107-201	150	771-9993/206-303	231
771-9993/005-603	230	771-9993/017-102	151	771-9993/107-202	150	771-9993/206-305	231
771-9993/005-605	230	771-9993/017-201	151	771-9993/107-301	150	771-9993/206-307	231
771-9993/005-607	230	771-9993/017-202	151	771-9993/107-302	150	771-9993/206-401	144
771-9993/005-703	230	771-9993/017-301	151	771-9993/107-401	150	771-9993/206-402	144
771-9993/005-705	230	771-9993/017-302	151	771-9993/107-402	150	771-9993/206-403	231
771-9993/005-707	230	771-9993/017-401	151	771-9993/107-501	150	771-9993/206-405	231
771-9993/005-803	230	771-9993/017-402	151	771-9993/107-502	150	771-9993/206-407	231
771-9993/005-805	230	771-9993/017-501	151	771-9993/107-601	150	771-9993/206-501	144
771-9993/005-807	230	771-9993/017-502	151	771-9993/107-602	150	771-9993/206-502	144
771-9993/006-101	144	771-9993/017-601	151	771-9993/107-701	150	771-9993/206-503	231
771-9993/006-102	144	771-9993/017-602	151	771-9993/107-702	150	771-9993/206-505	231
771-9993/006-103	231	771-9993/017-701	151	771-9993/107-801	150	771-9993/206-507	231
771-9993/006-105	231	771-9993/017-702	151	771-9993/107-802	150	771-9993/206-601	144
771-9993/006-107	231	771-9993/017-801	151	771-9993/116-101	145	771-9993/206-602	144
771-9993/006-201	144	771-9993/017-802	151	771-9993/116-102	145	771-9993/206-603	231
771-9993/006-202	144	771-9993/105-103	230	771-9993/116-201	145	771-9993/206-605	231
771-9993/006-203	231	771-9993/105-105	230	771-9993/116-202	145	771-9993/206-607	231
771-9993/006-205	231	771-9993/105-107	230	771-9993/116-301	145	771-9993/206-701	144
771-9993/006-207	231	771-9993/105-203	230	771-9993/116-302	145	771-9993/206-702	144
771-9993/006-301	144	771-9993/105-205	230	771-9993/116-401	145	771-9993/206-703	231
771-9993/006-302	144	771-9993/105-207	230	771-9993/116-402	145	771-9993/206-705	231
771-9993/006-303	231	771-9993/105-303	230	771-9993/116-501	145	771-9993/206-707	231
771-9993/006-305	231	771-9993/105-305	230	771-9993/116-502	145	771-9993/206-801	144
771-9993/006-307	231	771-9993/105-307	230	771-9993/116-601	145	771-9993/206-802	144
771-9993/006-401	144	771-9993/105-403	230	771-9993/116-602	145	771-9993/206-803	231
771-9993/006-402	144	771-9993/105-405	230	771-9993/116-701	145	771-9993/206-805	231
771-9993/006-403	231	771-9993/105-407	230	771-9993/116-702	145	771-9993/206-807	231
771-9993/006-405	231	771-9993/105-503	230	771-9993/116-801	145	771-9993/207-101	150
771-9993/006-407	231	771-9993/105-505	230	771-9993/116-802	145	771-9993/207-102	150
771-9993/006-501	144	771-9993/105-507	230	771-9993/117-101	151	771-9993/207-201	150
771-9993/006-502	144	771-9993/105-603	230	771-9993/117-102	151	771-9993/207-202	150
771-9993/006-503	231	771-9993/105-605	230	771-9993/117-201	151	771-9993/207-301	150
771-9993/006-505	231	771-9993/105-607	230	771-9993/117-202	151	771-9993/207-302	150
771-9993/006-507	231	771-9993/105-703	230	771-9993/117-301	151	771-9993/207-401	150
771-9993/006-601	144	771-9993/105-705	230	771-9993/117-302	151	771-9993/207-402	150
771-9993/006-602	144	771-9993/105-707	230	771-9993/117-401	151	771-9993/207-501	150
771-9993/006-603	231	771-9993/105-803	230	771-9993/117-402	151	771-9993/207-502	150
771-9993/006-605	231	771-9993/105-805	230	771-9993/117-501	151	771-9993/207-601	150
771-9993/006-607	231	771-9993/105-807	230	771-9993/117-502	151	771-9993/207-602	150
771-9993/006-701	144	771-9993/106-101	144	771-9993/117-601	151	771-9993/207-701	150
771-9993/006-702	144	771-9993/106-102	144	771-9993/117-602	151	771-9993/207-702	150
771-9993/006-703	231	771-9993/106-103	231	771-9993/117-701	151	771-9993/207-801	150
771-9993/006-705	231	771-9993/106-105	231	771-9993/117-702	151	771-9993/207-802	150
771-9993/006-707	231	771-9993/106-107	231	771-9993/117-801	151	771-9993/216-101	145
771-9993/006-801	144	771-9993/106-201	144	771-9993/117-802	151	771-9993/216-102	145
771-9993/006-802	144	771-9993/106-202	144	771-9993/205-103	230	771-9993/216-201	145
771-9993/006-803	231	771-9993/106-203	231	771-9993/205-105	230	771-9993/216-202	145



# WINSTA®

## Item Number Index

Item No.	Page	Item No.	Page	Item No.	Page	Item No.	Page
<b>771 Series</b>		<b>771 Series</b>		<b>771 Series</b>		<b>771 Series</b>	
771-9993/216-301	145	771-9993/805-301	254	771-9994/016-802	171	771-9994/205-105	240
771-9993/216-302	145	771-9993/805-302	254	771-9994/105-103	240	771-9994/205-107	240
771-9993/216-401	145			771-9994/105-105	240	771-9994/205-203	240
771-9993/216-402	145	771-9994/005-103	240	771-9994/105-107	240	771-9994/205-205	240
771-9993/216-501	145	771-9994/005-105	240	771-9994/105-203	240	771-9994/205-207	240
771-9993/216-502	145	771-9994/005-107	240	771-9994/105-205	240	771-9994/205-303	240
771-9993/216-601	145	771-9994/005-203	240	771-9994/105-207	240	771-9994/205-305	240
771-9993/216-602	145	771-9994/005-205	240	771-9994/105-303	240	771-9994/205-307	240
771-9993/216-701	145	771-9994/005-207	240	771-9994/105-305	240	771-9994/205-403	240
771-9993/216-702	145	771-9994/005-303	240	771-9994/105-307	240	771-9994/205-405	240
771-9993/216-801	145	771-9994/005-305	240	771-9994/105-403	240	771-9994/205-407	240
771-9993/216-802	145	771-9994/005-307	240	771-9994/105-405	240	771-9994/205-503	240
771-9993/217-101	151	771-9994/005-403	240	771-9994/105-407	240	771-9994/205-505	240
771-9993/217-102	151	771-9994/005-405	240	771-9994/105-503	240	771-9994/205-507	240
771-9993/217-201	151	771-9994/005-407	240	771-9994/105-505	240	771-9994/205-603	240
771-9993/217-202	151	771-9994/005-503	240	771-9994/105-507	240	771-9994/205-605	240
771-9993/217-301	151	771-9994/005-505	240	771-9994/105-603	240	771-9994/205-607	240
771-9993/217-302	151	771-9994/005-507	240	771-9994/105-605	240	771-9994/205-703	240
771-9993/217-401	151	771-9994/005-603	240	771-9994/105-607	240	771-9994/205-705	240
771-9993/217-402	151	771-9994/005-605	240	771-9994/105-703	240	771-9994/205-707	240
771-9993/217-501	151	771-9994/005-607	240	771-9994/105-705	240	771-9994/205-803	240
771-9993/217-502	151	771-9994/005-703	240	771-9994/105-707	240	771-9994/205-805	240
771-9993/217-601	151	771-9994/005-705	240	771-9994/105-803	240	771-9994/205-807	240
771-9993/217-602	151	771-9994/005-707	240	771-9994/105-805	240	771-9994/206-101	170
771-9993/217-701	151	771-9994/005-803	240	771-9994/105-807	240	771-9994/206-102	170
771-9993/217-702	151	771-9994/005-805	240	771-9994/106-101	170	771-9994/206-103	241
771-9993/217-801	151	771-9994/005-807	240	771-9994/106-102	170	771-9994/206-105	241
771-9993/217-802	151	771-9994/006-101	170	771-9994/106-103	241	771-9994/206-107	241
771-9993/306-101	255	771-9994/006-102	170	771-9994/106-105	241	771-9994/206-201	170
771-9993/306-102	255	771-9994/006-103	241	771-9994/106-107	241	771-9994/206-202	170
771-9993/306-201	255	771-9994/006-105	241	771-9994/106-201	170	771-9994/206-203	241
771-9993/306-202	255	771-9994/006-107	241	771-9994/106-202	241	771-9994/206-205	241
771-9993/306-301	255	771-9994/006-201	170	771-9994/106-203	170	771-9994/206-207	241
771-9993/306-302	255	771-9994/006-202	170	771-9994/106-205	241	771-9994/206-301	170
771-9993/307-101	255	771-9994/006-203	241	771-9994/106-207	241	771-9994/206-302	170
771-9993/307-102	255	771-9994/006-205	241	771-9994/106-301	170	771-9994/206-303	241
771-9993/307-201	255	771-9994/006-207	241	771-9994/106-302	170	771-9994/206-305	241
771-9993/307-202	255	771-9994/006-301	170	771-9994/106-303	241	771-9994/206-307	241
771-9993/307-301	255	771-9994/006-302	170	771-9994/106-305	241	771-9994/206-401	170
771-9993/307-302	255	771-9994/006-303	241	771-9994/106-307	241	771-9994/206-402	170
771-9993/3206-101	144	771-9994/006-305	241	771-9994/106-401	170	771-9994/206-403	241
771-9993/3206-201	144	771-9994/006-307	241	771-9994/106-402	241	771-9994/206-405	241
771-9993/3206-301	144	771-9994/006-401	170	771-9994/106-403	170	771-9994/206-407	241
771-9993/3206-401	144	771-9994/006-402	170	771-9994/106-405	241	771-9994/206-501	170
771-9993/3206-501	144	771-9994/006-403	241	771-9994/106-407	241	771-9994/206-502	170
771-9993/3206-601	144	771-9994/006-405	241	771-9994/106-501	170	771-9994/206-503	241
771-9993/3206-701	144	771-9994/006-407	241	771-9994/106-502	170	771-9994/206-505	241
771-9993/3206-801	144	771-9994/006-501	170	771-9994/106-503	241	771-9994/206-507	241
771-9993/3207-101	150	771-9994/006-502	170	771-9994/106-505	241	771-9994/206-601	170
771-9993/3207-201	150	771-9994/006-503	241	771-9994/106-507	241	771-9994/206-602	170
771-9993/3207-301	150	771-9994/006-505	241	771-9994/106-601	170	771-9994/206-603	241
771-9993/3207-401	150	771-9994/006-507	241	771-9994/106-602	241	771-9994/206-605	241
771-9993/3207-501	150	771-9994/006-601	170	771-9994/106-603	241	771-9994/206-607	241
771-9993/3207-601	150	771-9994/006-602	170	771-9994/106-605	241	771-9994/206-701	170
771-9993/3207-701	150	771-9994/006-603	241	771-9994/106-607	241	771-9994/206-702	170
771-9993/3207-801	150	771-9994/006-605	241	771-9994/106-701	170	771-9994/206-703	241
771-9993/3216-101	145	771-9994/006-607	241	771-9994/106-702	170	771-9994/206-705	241
771-9993/3216-201	145	771-9994/006-701	170	771-9994/106-703	241	771-9994/206-707	241
771-9993/3216-301	145	771-9994/006-702	170	771-9994/106-705	241	771-9994/206-801	170
771-9993/3216-401	145	771-9994/006-703	241	771-9994/106-707	241	771-9994/206-802	170
771-9993/3216-501	145	771-9994/006-705	241	771-9994/106-801	170	771-9994/206-803	241
771-9993/3216-601	145	771-9994/006-707	241	771-9994/106-802	241	771-9994/206-805	241
771-9993/3216-701	145	771-9994/006-801	170	771-9994/106-803	170	771-9994/206-807	241
771-9993/3216-801	145	771-9994/006-802	170	771-9994/106-805	241	771-9994/216-101	171
771-9993/3217-101	151	771-9994/006-803	241	771-9994/106-807	241	771-9994/216-102	171
771-9993/3217-201	151	771-9994/006-805	241	771-9994/116-101	171	771-9994/216-201	171
771-9993/3217-301	151	771-9994/006-807	241	771-9994/116-102	171	771-9994/216-202	171
771-9993/3217-401	151	771-9994/016-101	171	771-9994/116-201	171	771-9994/216-301	171
771-9993/3217-501	151	771-9994/016-102	171	771-9994/116-202	171	771-9994/216-302	171
771-9993/3217-601	151	771-9994/016-201	171	771-9994/116-301	171	771-9994/216-401	171
771-9993/3217-701	151	771-9994/016-202	171	771-9994/116-302	171	771-9994/216-402	171
771-9993/3217-801	151	771-9994/016-301	171	771-9994/116-401	171	771-9994/216-501	171
771-9993/406-101	255	771-9994/016-302	171	771-9994/116-402	171	771-9994/216-502	171
771-9993/406-102	255	771-9994/016-401	171	771-9994/116-501	171	771-9994/216-601	171
771-9993/406-201	255	771-9994/016-402	171	771-9994/116-502	171	771-9994/216-602	171
771-9993/406-202	255	771-9994/016-501	171	771-9994/116-601	171	771-9994/216-701	171
771-9993/406-301	255	771-9994/016-502	171	771-9994/116-602	171	771-9994/216-702	171
771-9993/406-302	255	771-9994/016-601	171	771-9994/116-701	171	771-9994/216-801	171
771-9993/805-101	254	771-9994/016-602	171	771-9994/116-702	171	771-9994/216-802	171
771-9993/805-102	254	771-9994/016-701	171	771-9994/116-801	171		
771-9993/805-201	254	771-9994/016-702	171	771-9994/116-802	171	771-9995/005-103	250
771-9993/805-202	254	771-9994/016-801	171	771-9994/205-103	240	771-9995/005-105	250

Item No.	Page	Item No.	Page	Item No.	Page	Item No.	Page
<b>771 Series</b>		<b>771 Series</b>		<b>771 Series</b>		<b>771 Series</b>	
771-9995/005-107	250	771-9995/016-301	191	771-9995/106-701	190	771-9995/206-101	190
771-9995/005-203	250	771-9995/016-302	191	771-9995/106-702	190	771-9995/206-102	190
771-9995/005-205	250	771-9995/016-401	191	771-9995/106-703	251	771-9995/206-103	251
771-9995/005-207	250	771-9995/016-402	191	771-9995/106-705	251	771-9995/206-105	251
771-9995/005-303	250	771-9995/016-501	191	771-9995/106-707	251	771-9995/206-107	251
771-9995/005-305	250	771-9995/016-502	191	771-9995/106-801	190	771-9995/206-201	190
771-9995/005-307	250	771-9995/016-601	191	771-9995/106-802	190	771-9995/206-202	190
771-9995/005-403	250	771-9995/016-602	191	771-9995/106-803	251	771-9995/206-203	251
771-9995/005-405	250	771-9995/016-701	191	771-9995/106-805	251	771-9995/206-205	251
771-9995/005-407	250	771-9995/016-702	191	771-9995/106-807	251	771-9995/206-207	251
771-9995/005-503	250	771-9995/016-801	191	771-9995/107-101	198	771-9995/206-301	190
771-9995/005-505	250	771-9995/016-802	191	771-9995/107-102	198	771-9995/206-302	190
771-9995/005-507	250	771-9995/017-101	199	771-9995/107-201	198	771-9995/206-303	251
771-9995/005-603	250	771-9995/017-102	199	771-9995/107-202	198	771-9995/206-305	251
771-9995/005-605	250	771-9995/017-201	199	771-9995/107-301	198	771-9995/206-307	251
771-9995/005-607	250	771-9995/017-202	199	771-9995/107-302	198	771-9995/206-401	190
771-9995/005-703	250	771-9995/017-301	199	771-9995/107-401	198	771-9995/206-402	190
771-9995/005-705	250	771-9995/017-302	199	771-9995/107-402	198	771-9995/206-403	251
771-9995/005-707	250	771-9995/017-401	199	771-9995/107-501	198	771-9995/206-405	251
771-9995/005-803	250	771-9995/017-402	199	771-9995/107-502	198	771-9995/206-407	251
771-9995/005-805	250	771-9995/017-501	199	771-9995/107-601	198	771-9995/206-501	190
771-9995/005-807	250	771-9995/017-502	199	771-9995/107-602	198	771-9995/206-502	190
771-9995/006-101	190	771-9995/017-601	199	771-9995/107-701	198	771-9995/206-503	251
771-9995/006-102	190	771-9995/017-602	199	771-9995/107-702	198	771-9995/206-505	251
771-9995/006-103	251	771-9995/017-701	199	771-9995/107-801	198	771-9995/206-507	251
771-9995/006-105	251	771-9995/017-702	199	771-9995/107-802	198	771-9995/206-601	190
771-9995/006-107	251	771-9995/017-801	199	771-9995/116-101	191	771-9995/206-602	190
771-9995/006-201	190	771-9995/017-802	199	771-9995/116-102	191	771-9995/206-603	251
771-9995/006-202	190	771-9995/105-103	250	771-9995/116-201	191	771-9995/206-605	251
771-9995/006-203	251	771-9995/105-105	250	771-9995/116-202	191	771-9995/206-607	251
771-9995/006-205	251	771-9995/105-107	250	771-9995/116-301	191	771-9995/206-701	190
771-9995/006-207	251	771-9995/105-203	250	771-9995/116-302	191	771-9995/206-702	190
771-9995/006-301	190	771-9995/105-205	250	771-9995/116-401	191	771-9995/206-703	251
771-9995/006-302	190	771-9995/105-207	250	771-9995/116-402	191	771-9995/206-705	251
771-9995/006-303	251	771-9995/105-303	250	771-9995/116-501	191	771-9995/206-707	251
771-9995/006-305	251	771-9995/105-305	250	771-9995/116-502	191	771-9995/206-801	190
771-9995/006-307	251	771-9995/105-307	250	771-9995/116-601	191	771-9995/206-802	190
771-9995/006-401	190	771-9995/105-403	250	771-9995/116-602	191	771-9995/206-803	251
771-9995/006-402	190	771-9995/105-405	250	771-9995/116-701	191	771-9995/206-805	251
771-9995/006-403	251	771-9995/105-407	250	771-9995/116-702	191	771-9995/206-807	251
771-9995/006-405	251	771-9995/105-503	250	771-9995/116-801	191	771-9995/207-101	198
771-9995/006-407	251	771-9995/105-505	250	771-9995/116-802	191	771-9995/207-102	198
771-9995/006-501	190	771-9995/105-507	250	771-9995/117-101	199	771-9995/207-201	198
771-9995/006-502	190	771-9995/105-603	250	771-9995/117-102	199	771-9995/207-202	198
771-9995/006-503	251	771-9995/105-605	250	771-9995/117-201	199	771-9995/207-301	198
771-9995/006-505	251	771-9995/105-607	250	771-9995/117-202	199	771-9995/207-302	198
771-9995/006-507	251	771-9995/105-703	250	771-9995/117-301	199	771-9995/207-401	198
771-9995/006-601	190	771-9995/105-705	250	771-9995/117-302	199	771-9995/207-402	198
771-9995/006-602	190	771-9995/105-707	250	771-9995/117-401	199	771-9995/207-501	198
771-9995/006-603	251	771-9995/105-803	250	771-9995/117-402	199	771-9995/207-502	198
771-9995/006-605	251	771-9995/105-805	250	771-9995/117-501	199	771-9995/207-601	198
771-9995/006-607	251	771-9995/105-807	250	771-9995/117-502	199	771-9995/207-602	198
771-9995/006-701	190	771-9995/106-101	190	771-9995/117-601	199	771-9995/207-701	198
771-9995/006-702	190	771-9995/106-102	190	771-9995/117-602	199	771-9995/207-702	198
771-9995/006-703	251	771-9995/106-103	251	771-9995/117-701	199	771-9995/207-801	198
771-9995/006-705	251	771-9995/106-105	251	771-9995/117-702	199	771-9995/207-802	198
771-9995/006-707	251	771-9995/106-107	251	771-9995/117-801	199	771-9995/216-101	191
771-9995/006-801	190	771-9995/106-201	190	771-9995/117-802	199	771-9995/216-102	191
771-9995/006-802	190	771-9995/106-202	190	771-9995/205-103	250	771-9995/216-201	191
771-9995/006-803	251	771-9995/106-203	251	771-9995/205-105	250	771-9995/216-202	191
771-9995/006-805	251	771-9995/106-205	251	771-9995/205-107	250	771-9995/216-301	191
771-9995/006-807	251	771-9995/106-207	251	771-9995/205-203	250	771-9995/216-302	191
771-9995/007-101	198	771-9995/106-301	190	771-9995/205-205	250	771-9995/216-401	191
771-9995/007-102	198	771-9995/106-302	190	771-9995/205-207	250	771-9995/216-402	191
771-9995/007-201	198	771-9995/106-303	251	771-9995/205-303	250	771-9995/216-501	191
771-9995/007-202	198	771-9995/106-305	251	771-9995/205-305	250	771-9995/216-502	191
771-9995/007-301	198	771-9995/106-307	251	771-9995/205-307	250	771-9995/216-601	191
771-9995/007-302	198	771-9995/106-401	190	771-9995/205-403	250	771-9995/216-602	191
771-9995/007-401	198	771-9995/106-402	190	771-9995/205-405	250	771-9995/216-701	191
771-9995/007-402	198	771-9995/106-403	251	771-9995/205-407	250	771-9995/216-702	191
771-9995/007-501	198	771-9995/106-405	251	771-9995/205-503	250	771-9995/216-801	191
771-9995/007-502	198	771-9995/106-407	251	771-9995/205-505	250	771-9995/216-802	191
771-9995/007-601	198	771-9995/106-501	190	771-9995/205-507	250	771-9995/217-101	199
771-9995/007-602	198	771-9995/106-502	190	771-9995/205-603	250	771-9995/217-102	199
771-9995/007-701	198	771-9995/106-503	251	771-9995/205-605	250	771-9995/217-201	199
771-9995/007-702	198	771-9995/106-505	251	771-9995/205-607	250	771-9995/217-202	199
771-9995/007-801	198	771-9995/106-507	251	771-9995/205-703	250	771-9995/217-301	199
771-9995/007-802	198	771-9995/106-601	190	771-9995/205-705	250	771-9995/217-302	199
771-9995/016-101	191	771-9995/106-602	190	771-9995/205-707	250	771-9995/217-401	199
771-9995/016-102	191	771-9995/106-603	251	771-9995/205-803	250	771-9995/217-402	199
771-9995/016-201	191	771-9995/106-605	251	771-9995/205-805	250	771-9995/217-501	199
771-9995/016-202	191	771-9995/106-607	251	771-9995/205-807	250	771-9995/217-502	199

# WINSTA®

## Item Number Index

Item No.	Page	Item No.	Page	Item No.	Page	Item No.	Page
<b>771 Series</b>		<b>774 Series</b>		<b>774 Series</b>		<b>774 Series</b>	
771-9995/217-601	199	774-9973/206-805	272	774-9993/106-501	270	774-9993/206-601	270
771-9995/217-602	199	774-9973/216-105	273	774-9993/106-502	270	774-9993/206-602	270
771-9995/217-701	199	774-9973/216-205	273	774-9993/106-601	270	774-9993/206-701	270
771-9995/217-702	199	774-9973/216-305	273	774-9993/106-602	270	774-9993/206-702	270
771-9995/217-801	199	774-9973/216-405	273	774-9993/106-701	270	774-9993/206-801	270
771-9995/217-802	199	774-9973/216-505	273	774-9993/106-702	270	774-9993/206-802	270
<b>772 Series</b>		774-9973/216-605	273	774-9993/106-801	270	774-9993/207-101	276
772-260	360	774-9973/216-705	273	774-9993/106-802	270	774-9993/207-102	276
772-261	298	774-9973/216-805	273	774-9993/107-101	276	774-9993/207-201	276
772-262	299			774-9993/107-102	276	774-9993/207-202	276
772-263	299	774-9993/006-101	270	774-9993/107-201	276	774-9993/207-301	276
772-264/060-000	298	774-9993/006-102	270	774-9993/107-202	276	774-9993/207-302	276
772-265/060-000	299	774-9993/006-201	270	774-9993/107-301	276	774-9993/207-401	276
772-266/060-000	299	774-9993/006-202	270	774-9993/107-302	276	774-9993/207-402	276
772-267	298	774-9993/006-301	270	774-9993/107-401	276	774-9993/207-501	276
772-268	299	774-9993/006-302	270	774-9993/107-402	276	774-9993/207-502	276
772-269	299	774-9993/006-401	270	774-9993/107-501	276	774-9993/207-601	276
772-271	298	774-9993/006-402	270	774-9993/107-502	276	774-9993/207-602	276
772-272	299	774-9993/006-501	270	774-9993/107-601	276	774-9993/207-701	276
<b>774 Series</b>		774-9993/006-502	270	774-9993/107-602	276	774-9993/207-702	276
774-213/9900-000	280	774-9993/006-601	270	774-9993/107-701	276	774-9993/207-801	276
		774-9993/006-602	270	774-9993/107-702	276	774-9993/207-802	276
774-1373/9900-000	280	774-9993/006-701	270	774-9993/107-801	276	774-9993/216-101	271
		774-9993/006-702	270	774-9993/107-802	276	774-9993/216-102	271
		774-9993/006-801	270	774-9993/116-101	271	774-9993/216-201	271
		774-9993/006-802	270	774-9993/116-102	271	774-9993/216-202	271
		774-9993/007-101	276	774-9993/116-201	271	774-9993/216-301	271
		774-9993/007-102	276	774-9993/116-202	271	774-9993/216-302	271
		774-9993/007-201	276	774-9993/116-301	271	774-9993/216-401	271
		774-9993/007-202	276	774-9993/116-302	271	774-9993/216-402	271
		774-9993/007-301	276	774-9993/116-401	271	774-9993/216-501	271
		774-9993/007-302	276	774-9993/116-402	271	774-9993/216-502	271
		774-9993/007-401	276	774-9993/116-501	271	774-9993/216-601	271
		774-9993/007-402	276	774-9993/116-502	271	774-9993/216-602	271
		774-9993/007-501	276	774-9993/116-601	271	774-9993/216-701	271
		774-9993/007-502	276	774-9993/116-602	271	774-9993/216-702	271
		774-9993/007-601	276	774-9993/116-701	271	774-9993/216-801	271
		774-9993/007-602	276	774-9993/116-702	271	774-9993/216-802	271
		774-9993/007-701	276	774-9993/116-801	271	774-9993/217-101	277
		774-9993/007-702	276	774-9993/116-802	271	774-9993/217-102	277
		774-9993/007-801	276	774-9993/117-101	277	774-9993/217-201	277
		774-9993/007-802	276	774-9993/117-102	277	774-9993/217-202	277
		774-9993/016-101	271	774-9993/117-201	277	774-9993/217-301	277
		774-9993/016-102	271	774-9993/117-202	277	774-9993/217-302	277
		774-9993/016-201	271	774-9993/117-301	277	774-9993/217-401	277
		774-9993/016-202	271	774-9993/117-302	277	774-9993/217-402	277
		774-9993/016-301	271	774-9993/117-401	277	774-9993/217-501	277
		774-9993/016-302	271	774-9993/117-402	277	774-9993/217-502	277
		774-9993/016-401	271	774-9993/117-501	277	774-9993/217-601	277
		774-9993/016-402	271	774-9993/117-502	277	774-9993/217-602	277
		774-9993/016-501	271	774-9993/117-601	277	774-9993/217-701	277
		774-9993/016-502	271	774-9993/117-602	277	774-9993/217-702	277
		774-9993/016-601	271	774-9993/117-701	277	774-9993/217-801	277
		774-9993/016-602	271	774-9993/117-702	277	774-9993/217-802	277
		774-9993/016-701	271	774-9993/117-801	277		
		774-9993/016-702	271	774-9993/117-802	277	774-9994/006-101	278
		774-9993/016-801	271	774-9993/1507-101	275	774-9994/006-102	278
		774-9993/016-802	271	774-9993/1507-201	275	774-9994/006-201	278
		774-9993/017-101	277	774-9993/1507-301	275	774-9994/006-202	278
		774-9993/017-102	277	774-9993/1507-401	275	774-9994/006-301	278
		774-9993/017-201	277	774-9993/1507-501	275	774-9994/006-302	278
		774-9993/017-202	277	774-9993/1507-601	275	774-9994/006-401	278
		774-9993/017-301	277	774-9993/1507-701	275	774-9994/006-402	278
		774-9993/017-302	277	774-9993/1507-801	275	774-9994/006-501	278
		774-9993/017-401	277	774-9993/1517-101	275	774-9994/006-502	278
		774-9993/017-402	277	774-9993/1517-201	275	774-9994/006-601	278
		774-9993/017-501	277	774-9993/1517-301	275	774-9994/006-602	278
		774-9993/017-502	277	774-9993/1517-401	275	774-9994/006-701	278
		774-9993/017-601	277	774-9993/1517-501	275	774-9994/006-702	278
		774-9993/017-602	277	774-9993/1517-601	275	774-9994/006-801	278
		774-9993/017-701	277	774-9993/1517-701	275	774-9994/006-802	278
		774-9993/017-702	277	774-9993/1517-801	275	774-9994/016-101	279
		774-9993/017-801	277	774-9993/206-101	270	774-9994/016-102	279
		774-9993/017-802	277	774-9993/206-102	270	774-9994/016-201	279
		774-9993/106-101	270	774-9993/206-201	270	774-9994/016-202	279
		774-9993/106-102	270	774-9993/206-202	270	774-9994/016-301	279
		774-9993/106-201	270	774-9993/206-301	270	774-9994/016-302	279
		774-9993/106-202	270	774-9993/206-302	270	774-9994/016-401	279
		774-9993/106-301	270	774-9993/206-401	270	774-9994/016-402	279
		774-9993/106-302	270	774-9993/206-402	270	774-9994/016-501	279
		774-9993/106-401	270	774-9993/206-501	270	774-9994/016-502	279
		774-9993/106-402	270	774-9993/206-502	270	774-9994/016-601	279



Item No.	Page	Item No.	Page	Item No.	Page	Item No.	Page
<b>774 Series</b>		<b>890 Series</b>		<b>890 Series</b>		<b>890 Series</b>	
774-9994/016-602	279	890-104	38	890-282/082-000	65	890-702	15
774-9994/016-701	279	890-105	48	890-283	74	890-703	29
774-9994/016-702	279	890-111	352	890-283/081-000	74	890-703/006-000	29
774-9994/016-801	279	890-112	12	890-283/082-000	74	890-704	41
774-9994/016-802	279	890-113	26	890-284	84	890-705	51
774-9994/106-101	278	890-114	38	890-284/081-000	84	890-705/006-000	51
774-9994/106-102	278	890-115	48	890-285	94	890-712	15
774-9994/106-201	278	890-121	352	890-285/080-000	94	890-713	29
774-9994/106-202	278	890-122	12	890-285/082-000	94	890-713/006-000	29
774-9994/106-301	278	890-123	26	890-292	65	890-714	41
774-9994/106-302	278	890-124	38	890-292/080-000	65	890-715	51
774-9994/106-401	278	890-125	48	890-292/082-000	65	890-715/006-000	51
774-9994/106-402	278	890-131	352	890-293	74	890-722	15
774-9994/106-501	278	890-132	12	890-293/081-000	74	890-723	29
774-9994/106-502	278	890-133	26	890-293/082-000	74	890-723/006-000	29
774-9994/106-601	278	890-134	38	890-294	84	890-724	41
774-9994/106-602	278	890-135	48	890-294/081-000	84	890-725	51
774-9994/106-701	278			890-295	94	890-725/006-000	51
774-9994/106-702	278	890-202	13	890-295/080-000	94	890-732	15
774-9994/106-801	278	890-202/342-000	12	890-295/082-000	94	890-733	29
774-9994/106-802	278	890-203	27			890-733/006-000	29
774-9994/116-101	279	890-204	39	890-302	359	890-734	41
774-9994/116-102	279	890-205	49	890-303	359	890-735	51
774-9994/116-201	279	890-212	13	890-304	359	890-735/006-000	51
774-9994/116-202	279	890-212/342-000	12	890-305	359	890-742	67
774-9994/116-301	279	890-213	27	890-310	352	890-742/060-000	67
774-9994/116-302	279	890-214	39	890-311	352	890-743	76
774-9994/116-401	279	890-215	49	890-382	365	890-743/060-000	76
774-9994/116-402	279	890-222	13	890-383	365	890-743/062-000	76
774-9994/116-501	279	890-223	27	890-384	365	890-744	86
774-9994/116-502	279	890-224	39	890-385	365	890-744/060-000	86
774-9994/116-601	279	890-225	49			890-744/062-000	86
774-9994/116-602	279	890-232	13	890-502	14	890-744/064-000	86
774-9994/116-701	279	890-233	27	890-502/342-000	14	890-745	96
774-9994/116-702	279	890-234	39	890-503	28	890-745/060-000	96
774-9994/116-801	279	890-235	49	890-504	40	890-745/062-000	96
774-9994/116-802	279	890-242	65	890-505	50	890-752	67
774-9994/206-101	278	890-242/060-000	65	890-512	14	890-752/060-000	67
774-9994/206-102	278	890-243	74	890-512/342-000	14	890-753	76
774-9994/206-201	278	890-243/060-000	74	890-513	28	890-753/060-000	76
774-9994/206-202	278	890-243/062-000	74	890-514	40	890-753/062-000	76
774-9994/206-301	278	890-244	84	890-515	50	890-754	86
774-9994/206-302	278	890-244/060-000	84	890-523	353	890-754/060-000	86
774-9994/206-401	278	890-244/062-000	84			890-754/062-000	86
774-9994/206-402	278	890-244/064-000	84	890-601	354	890-754/064-000	86
774-9994/206-501	278	890-245	94	890-603	32	890-755	96
774-9994/206-502	278	890-245/060-000	94	890-604	44	890-755/060-000	96
774-9994/206-601	278	890-245/062-000	94	890-605	54	890-755/062-000	96
774-9994/206-602	278	890-252	65	890-606	33	890-762	67
774-9994/206-701	278	890-252/060-000	65	890-615	33	890-763	76
774-9994/206-702	278	890-253	74	890-617	55	890-763/071-000	76
774-9994/206-801	278	890-253/060-000	74	890-619	54	890-763/073-000	76
774-9994/206-802	278	890-253/062-000	74	890-620	55	890-764	86
774-9994/216-101	279	890-254	84	890-621	55	890-764/071-000	86
774-9994/216-102	279	890-254/060-000	84	890-622	55	890-764/072-000	86
774-9994/216-201	279	890-254/062-000	84	890-623	354	890-764/073-000	86
774-9994/216-202	279	890-254/064-000	84	890-624	354	890-765	96
774-9994/216-301	279	890-255	94	890-625	354	890-765/073-000	96
774-9994/216-302	279	890-255/060-000	94	890-626	45	890-772	67
774-9994/216-401	279	890-255/062-000	94	890-627	45	890-773	76
774-9994/216-402	279	890-262	65	890-634	33	890-773/071-000	76
774-9994/216-501	279	890-263	74	890-636	33	890-773/073-000	76
774-9994/216-502	279	890-263/071-000	74	890-642	353	890-774	86
774-9994/216-601	279	890-263/073-000	74	890-643	353	890-774/071-000	86
774-9994/216-602	279	890-264	84	890-644	353	890-774/072-000	86
774-9994/216-701	279	890-264/071-000	84	890-653	32	890-774/073-000	86
774-9994/216-702	279	890-264/072-000	84	890-654	44	890-775	96
774-9994/216-801	279	890-264/073-000	84	890-655	54	890-775/073-000	96
774-9994/216-802	279	890-265	94	890-656	33	890-782	67
		890-265/073-000	94	890-665	33	890-782/080-000	67
		890-272	65	890-671	55	890-782/082-000	67
		890-273	74	890-672	55	890-783	76
		890-273/071-000	74	890-673	354	890-783/081-000	76
		890-273/073-000	74	890-674	354	890-783/082-000	76
		890-274	84	890-675	354	890-784	86
		890-274/071-000	84	890-676	45	890-784/081-000	86
		890-274/072-000	84	890-677	45	890-785	96
		890-274/073-000	84	890-684	33	890-785/080-000	96
		890-275	94	890-686	33	890-785/082-000	96
		890-275/073-000	94	890-692	353	890-792	67
		890-282	65	890-693	353	890-792/080-000	67
		890-282/080-000	65	890-694	353	890-792/082-000	67
<b>831 Series</b>							
831-3105/1019-004	265						
831-3105/1019-050	265						
831-3205/1020-004	265						
831-3205/1020-050	265						
<b>890 Series</b>							
890-101	352						
890-102	12						
890-103	26						

# WINSTA® Item Number Index

Item No.	Page	Item No.	Page	Item No.	Page	Item No.	Page
<b>890 Series</b>		<b>890 Series</b>		<b>890 Series</b>		<b>891 Series</b>	
890-793	76	890-892/011-000	69	890-3115/011-000	53	891-8982/206-801	24
890-793/081-000	76	890-893	78			891-8982/206-802	24
890-793/082-000	76	890-893/011-000	79			891-8982/216-101	25
890-794	86	890-894	88			891-8982/216-102	25
890-794/081-000	86	890-894/011-000	89	<b>891 Series</b>		891-8982/216-201	25
890-795	96	890-895	98	891-8982/006-101	24	891-8982/216-202	25
890-795/080-000	96	890-895/011-000	99	891-8982/006-102	24	891-8982/216-301	25
890-795/082-000	96			891-8982/006-201	24	891-8982/216-302	25
		890-929	55	891-8982/006-202	24	891-8982/216-401	25
890-802	16	890-930	55	891-8982/006-301	24	891-8982/216-402	25
890-802/011-000	17	890-944	45	891-8982/006-302	24	891-8982/216-501	25
890-803	30	890-945	45	891-8982/006-401	24	891-8982/216-502	25
890-803/011-000	31	890-979	55	891-8982/006-402	24	891-8982/216-601	25
890-804	42	890-980	55	891-8982/006-501	24	891-8982/216-602	25
890-804/011-000	43	890-982	55	891-8982/006-502	24	891-8982/216-701	25
890-805	52	890-983	55	891-8982/006-601	24	891-8982/216-702	25
890-805/011-000	53	890-994	45	891-8982/006-602	24	891-8982/216-801	25
890-812	16	890-995	45	891-8982/006-701	24	891-8982/216-802	25
890-812/011-000	17			891-8982/006-702	24		
890-813	30	890-1102	13	891-8982/006-801	24	891-8985/006-101	58
890-813/011-000	31	890-1105	49	891-8982/006-802	24	891-8985/006-102	58
890-814	42	890-1112	13	891-8982/016-101	25	891-8985/006-201	58
890-814/011-000	43	890-1115	49	891-8982/016-102	25	891-8985/006-202	58
890-815	52			891-8982/016-201	25	891-8985/006-301	58
890-815/011-000	53	890-1601	70	891-8982/016-202	25	891-8985/006-302	58
890-822	16	890-1602	70	891-8982/016-301	25	891-8985/006-401	58
890-822/011-000	17	890-1603	70	891-8982/016-302	25	891-8985/006-402	58
890-823	30	890-1606	18	891-8982/016-401	25	891-8985/006-501	58
890-823/011-000	31	890-1615	18	891-8982/016-402	25	891-8985/006-502	58
890-824	42	890-1617	18	891-8982/016-501	25	891-8985/006-601	58
890-824/011-000	43	890-1620	18	891-8982/016-502	25	891-8985/006-602	58
890-825	52	890-1622	18	891-8982/016-601	25	891-8985/006-701	58
890-825/011-000	53	890-1623	354	891-8982/016-602	25	891-8985/006-702	58
890-832	16	890-1631	90	891-8982/016-701	25	891-8985/006-801	58
890-832/011-000	17	890-1632	90	891-8982/016-702	25	891-8985/006-802	58
890-833	30	890-1633	90	891-8982/016-801	25	891-8985/016-101	59
890-833/011-000	31	890-1634	18	891-8982/016-802	25	891-8985/016-102	59
890-834	42	890-1636	18	891-8982/106-101	24	891-8985/016-201	59
890-834/011-000	43	890-1656	18	891-8982/106-102	24	891-8985/016-202	59
890-835	52	890-1661	80	891-8982/106-201	24	891-8985/016-301	59
890-835/011-000	53	890-1662	80	891-8982/106-202	24	891-8985/016-302	59
890-842	68	890-1663	80	891-8982/106-301	24	891-8985/016-401	59
890-842/011-000	69	890-1665	18	891-8982/106-302	24	891-8985/016-402	59
890-843	78	890-1666	354	891-8982/106-401	24	891-8985/016-501	59
890-843/011-000	79	890-1672	90	891-8982/106-402	24	891-8985/016-502	59
890-844	88	890-1681	90	891-8982/106-501	24	891-8985/016-601	59
890-844/011-000	89	890-1682	90	891-8982/106-502	24	891-8985/016-602	59
890-845	98	890-1683	18	891-8982/106-601	24	891-8985/016-701	59
890-845/011-000	99	890-1684	18	891-8982/106-602	24	891-8985/016-702	59
890-852	68	890-1686	18	891-8982/106-701	24	891-8985/016-801	59
890-852/011-000	69	890-1701	70	891-8982/106-702	24	891-8985/016-802	59
890-853	78	890-1702	70	891-8982/106-801	24	891-8985/106-101	58
890-853/011-000	79	890-1703	70	891-8982/106-802	24	891-8985/106-102	58
890-854	88	890-1731	90	891-8982/116-101	25	891-8985/106-201	58
890-854/011-000	89	890-1732	90	891-8982/116-102	25	891-8985/106-202	58
890-855	98	890-1733	90	891-8982/116-201	25	891-8985/106-301	58
890-855/011-000	99	890-1734	91	891-8982/116-202	25	891-8985/106-302	58
890-862	68	890-1735	91	891-8982/116-301	25	891-8985/106-401	58
890-862/011-000	69	890-1736	91	891-8982/116-302	25	891-8985/106-402	58
890-863	78	890-1761	80	891-8982/116-401	25	891-8985/106-501	58
890-863/011-000	79	890-1762	80	891-8982/116-402	25	891-8985/106-502	58
890-864	88	890-1763	80	891-8982/116-501	25	891-8985/106-601	58
890-864/011-000	89	890-1781	90	891-8982/116-502	25	891-8985/106-602	58
890-865	98	890-1782	90	891-8982/116-601	25	891-8985/106-701	58
890-865/011-000	99	890-1783	90	891-8982/116-602	25	891-8985/106-702	58
890-872	68			891-8982/116-701	25	891-8985/106-801	58
890-872/011-000	69	890-1904	19	891-8982/116-702	25	891-8985/106-802	58
890-873	78	890-1907	19	891-8982/116-801	25	891-8985/116-101	59
890-873/011-000	79			891-8982/116-802	25	891-8985/116-102	59
890-874	88	890-2102	15	891-8982/206-101	24	891-8985/116-201	59
890-874/011-000	89	890-2105	51	891-8982/206-102	24	891-8985/116-202	59
890-875	98	890-2105/006-000	51	891-8982/206-201	24	891-8985/116-301	59
890-875/011-000	99	890-2112	15	891-8982/206-202	24	891-8985/116-302	59
890-882	68	890-2115	51	891-8982/206-301	24	891-8985/116-401	59
890-882/011-000	69	890-2115/006-000	51	891-8982/206-302	24	891-8985/116-402	59
890-883	78			891-8982/206-401	24	891-8985/116-501	59
890-883/011-000	79	890-3102	16	891-8982/206-402	24	891-8985/116-502	59
890-884	88	890-3102/011-000	17	891-8982/206-501	24	891-8985/116-601	59
890-884/011-000	89	890-3105	52	891-8982/206-502	24	891-8985/116-602	59
890-885	98	890-3105/011-000	53	891-8982/206-601	24	891-8985/116-701	59
890-885/011-000	99	890-3112	16	891-8982/206-602	24	891-8985/116-702	59
890-892	68	890-3112/011-000	17	891-8982/206-701	24	891-8985/116-801	59
		890-3115	52	891-8982/206-702	24		

Item No.	Page	Item No.	Page	Item No.	Page	Item No.	Page
<b>891 Series</b>		<b>891 Series</b>		<b>891 Series</b>		<b>891 Series</b>	
891-8985/116-802	59	891-8992/006-205	73	891-8992/105-405	72	891-8992/116-301	23
891-8985/206-101	58	891-8992/006-207	73	891-8992/105-407	72	891-8992/116-302	23
891-8985/206-102	58	891-8992/006-301	22	891-8992/105-501	20	891-8992/116-401	23
891-8985/206-201	58	891-8992/006-302	22	891-8992/105-502	20	891-8992/116-402	23
891-8985/206-202	58	891-8992/006-303	73	891-8992/105-503	72	891-8992/116-501	23
891-8985/206-301	58	891-8992/006-305	73	891-8992/105-505	72	891-8992/116-502	23
891-8985/206-302	58	891-8992/006-307	73	891-8992/105-507	72	891-8992/116-601	23
891-8985/206-401	58	891-8992/006-401	22	891-8992/105-601	20	891-8992/116-602	23
891-8985/206-402	58	891-8992/006-402	22	891-8992/105-602	20	891-8992/116-701	23
891-8985/206-501	58	891-8992/006-403	73	891-8992/105-603	72	891-8992/116-702	23
891-8985/206-502	58	891-8992/006-405	73	891-8992/105-605	72	891-8992/116-801	23
891-8985/206-601	58	891-8992/006-407	73	891-8992/105-607	72	891-8992/116-802	23
891-8985/206-602	58	891-8992/006-501	58	891-8992/105-701	20	891-8992/205-101	20
891-8985/206-701	58	891-8992/006-502	22	891-8992/105-702	20	891-8992/205-102	20
891-8985/206-702	58	891-8992/006-503	73	891-8992/105-703	72	891-8992/205-103	72
891-8985/206-801	58	891-8992/006-505	73	891-8992/105-705	72	891-8992/205-105	72
891-8985/206-802	58	891-8992/006-507	73	891-8992/105-707	72	891-8992/205-107	72
891-8985/216-101	59	891-8992/006-601	22	891-8992/105-801	20	891-8992/205-201	20
891-8985/216-102	59	891-8992/006-602	22	891-8992/105-802	20	891-8992/205-202	20
891-8985/216-201	59	891-8992/006-603	73	891-8992/105-803	72	891-8992/205-203	72
891-8985/216-202	59	891-8992/006-605	73	891-8992/105-805	72	891-8992/205-205	72
891-8985/216-301	59	891-8992/006-607	73	891-8992/105-807	72	891-8992/205-207	72
891-8985/216-302	59	891-8992/006-701	22	891-8992/106-101	22	891-8992/205-301	20
891-8985/216-401	59	891-8992/006-702	22	891-8992/106-102	22	891-8992/205-302	20
891-8985/216-402	59	891-8992/006-703	73	891-8992/106-103	73	891-8992/205-303	72
891-8985/216-501	59	891-8992/006-705	73	891-8992/106-105	73	891-8992/205-305	72
891-8985/216-502	59	891-8992/006-707	73	891-8992/106-107	73	891-8992/205-307	72
891-8985/216-601	59	891-8992/006-801	22	891-8992/106-201	22	891-8992/205-401	20
891-8985/216-602	59	891-8992/006-802	22	891-8992/106-202	22	891-8992/205-402	20
891-8985/216-701	59	891-8992/006-803	73	891-8992/106-203	73	891-8992/205-403	72
891-8985/216-702	59	891-8992/006-805	73	891-8992/106-205	73	891-8992/205-405	72
891-8985/216-801	59	891-8992/006-807	73	891-8992/106-207	73	891-8992/205-407	72
891-8985/216-802	59	891-8992/015-101	21	891-8992/106-301	22	891-8992/205-501	20
		891-8992/015-102	21	891-8992/106-302	22	891-8992/205-502	20
891-8992/005-101	20	891-8992/015-201	21	891-8992/106-303	73	891-8992/205-503	72
891-8992/005-102	20	891-8992/015-202	21	891-8992/106-305	73	891-8992/205-505	72
891-8992/005-103	72	891-8992/015-301	21	891-8992/106-307	73	891-8992/205-507	72
891-8992/005-105	72	891-8992/015-302	21	891-8992/106-401	22	891-8992/205-601	20
891-8992/005-107	72	891-8992/015-401	21	891-8992/106-402	22	891-8992/205-602	20
891-8992/005-201	20	891-8992/015-402	21	891-8992/106-403	73	891-8992/205-603	72
891-8992/005-202	20	891-8992/015-501	21	891-8992/106-405	73	891-8992/205-605	72
891-8992/005-203	72	891-8992/015-502	21	891-8992/106-407	73	891-8992/205-607	72
891-8992/005-205	72	891-8992/015-601	21	891-8992/106-501	22	891-8992/205-701	20
891-8992/005-207	72	891-8992/015-602	21	891-8992/106-502	22	891-8992/205-702	20
891-8992/005-301	20	891-8992/015-701	21	891-8992/106-503	73	891-8992/205-703	72
891-8992/005-302	20	891-8992/015-702	21	891-8992/106-505	73	891-8992/205-705	72
891-8992/005-303	72	891-8992/015-801	21	891-8992/106-507	73	891-8992/205-707	72
891-8992/005-305	72	891-8992/015-802	21	891-8992/106-601	22	891-8992/205-801	20
891-8992/005-307	72	891-8992/016-101	23	891-8992/106-602	22	891-8992/205-802	20
891-8992/005-401	20	891-8992/016-102	23	891-8992/106-603	73	891-8992/205-803	72
891-8992/005-402	20	891-8992/016-201	23	891-8992/106-605	73	891-8992/205-805	72
891-8992/005-403	72	891-8992/016-202	23	891-8992/106-607	73	891-8992/205-807	72
891-8992/005-405	72	891-8992/016-301	23	891-8992/106-701	22	891-8992/206-101	22
891-8992/005-407	72	891-8992/016-302	23	891-8992/106-702	22	891-8992/206-102	22
891-8992/005-501	20	891-8992/016-401	23	891-8992/106-703	73	891-8992/206-103	73
891-8992/005-502	20	891-8992/016-402	23	891-8992/106-705	73	891-8992/206-105	73
891-8992/005-503	72	891-8992/016-501	23	891-8992/106-707	73	891-8992/206-107	73
891-8992/005-505	72	891-8992/016-502	23	891-8992/106-801	22	891-8992/206-201	22
891-8992/005-507	72	891-8992/016-601	23	891-8992/106-802	22	891-8992/206-202	22
891-8992/005-601	20	891-8992/016-602	23	891-8992/106-803	73	891-8992/206-203	73
891-8992/005-602	20	891-8992/016-701	23	891-8992/106-805	73	891-8992/206-205	73
891-8992/005-603	72	891-8992/016-702	23	891-8992/106-807	73	891-8992/206-207	73
891-8992/005-605	72	891-8992/016-801	23	891-8992/115-101	21	891-8992/206-301	22
891-8992/005-607	72	891-8992/016-802	23	891-8992/115-102	21	891-8992/206-302	22
891-8992/005-701	20	891-8992/105-101	20	891-8992/115-201	21	891-8992/206-303	73
891-8992/005-702	20	891-8992/105-102	20	891-8992/115-202	21	891-8992/206-305	73
891-8992/005-703	72	891-8992/105-103	72	891-8992/115-301	21	891-8992/206-307	73
891-8992/005-705	72	891-8992/105-105	72	891-8992/115-302	21	891-8992/206-401	22
891-8992/005-707	72	891-8992/105-107	72	891-8992/115-401	21	891-8992/206-402	22
891-8992/005-801	20	891-8992/105-201	20	891-8992/115-402	21	891-8992/206-403	73
891-8992/005-802	20	891-8992/105-202	20	891-8992/115-501	21	891-8992/206-405	73
891-8992/005-803	72	891-8992/105-203	72	891-8992/115-502	21	891-8992/206-407	73
891-8992/005-805	72	891-8992/105-205	72	891-8992/115-601	21	891-8992/206-501	22
891-8992/005-807	72	891-8992/105-207	72	891-8992/115-602	21	891-8992/206-502	22
891-8992/006-101	22	891-8992/105-301	20	891-8992/115-701	21	891-8992/206-503	73
891-8992/006-102	22	891-8992/105-302	20	891-8992/115-702	21	891-8992/206-505	73
891-8992/006-103	73	891-8992/105-303	72	891-8992/115-801	21	891-8992/206-507	73
891-8992/006-105	73	891-8992/105-305	72	891-8992/115-802	21	891-8992/206-601	22
891-8992/006-107	73	891-8992/105-307	72	891-8992/116-101	20	891-8992/206-602	22
891-8992/006-201	22	891-8992/105-401	20	891-8992/116-102	23	891-8992/206-603	73
891-8992/006-202	22	891-8992/105-402	20	891-8992/116-201	23	891-8992/206-605	73
891-8992/006-203	73	891-8992/105-403	72	891-8992/116-202	23	891-8992/206-607	73

# WINSTA®

## Item Number Index

Item No.	Page	Item No.	Page	Item No.	Page	Item No.	Page
<b>891 Series</b>		<b>891 Series</b>		<b>891 Series</b>		<b>891 Series</b>	
891-8992/206-701	22	891-8993/005-807	82	891-8993/105-207	82	891-8993/115-602	35
891-8992/206-702	22	891-8993/006-101	36	891-8993/105-301	34	891-8993/115-701	35
891-8992/206-703	73	891-8993/006-102	36	891-8993/105-302	34	891-8993/115-702	35
891-8992/206-705	73	891-8993/006-103	83	891-8993/105-303	82	891-8993/115-801	35
891-8992/206-707	73	891-8993/006-105	83	891-8993/105-305	82	891-8993/115-802	35
891-8992/206-801	22	891-8993/006-107	83	891-8993/105-307	82	891-8993/116-101	37
891-8992/206-802	22	891-8993/006-201	36	891-8993/105-401	34	891-8993/116-102	37
891-8992/206-803	73	891-8993/006-202	36	891-8993/105-402	34	891-8993/116-201	37
891-8992/206-805	73	891-8993/006-203	83	891-8993/105-403	82	891-8993/116-202	37
891-8992/206-807	73	891-8993/006-205	83	891-8993/105-405	82	891-8993/116-301	37
891-8992/215-101	21	891-8993/006-207	83	891-8993/105-407	82	891-8993/116-302	37
891-8992/215-102	21	891-8993/006-301	36	891-8993/105-501	34	891-8993/116-401	37
891-8992/215-201	21	891-8993/006-302	36	891-8993/105-502	34	891-8993/116-402	37
891-8992/215-202	21	891-8993/006-303	83	891-8993/105-503	82	891-8993/116-501	37
891-8992/215-301	21	891-8993/006-305	83	891-8993/105-505	82	891-8993/116-502	37
891-8992/215-302	21	891-8993/006-307	83	891-8993/105-507	82	891-8993/116-601	37
891-8992/215-401	21	891-8993/006-401	36	891-8993/105-601	34	891-8993/116-602	37
891-8992/215-402	21	891-8993/006-402	36	891-8993/105-602	34	891-8993/116-701	37
891-8992/215-501	21	891-8993/006-403	83	891-8993/105-603	82	891-8993/116-702	37
891-8992/215-502	21	891-8993/006-405	83	891-8993/105-605	82	891-8993/116-801	37
891-8992/215-601	21	891-8993/006-407	83	891-8993/105-607	82	891-8993/116-802	37
891-8992/215-602	21	891-8993/006-501	36	891-8993/105-701	34	891-8993/205-101	34
891-8992/215-701	21	891-8993/006-502	36	891-8993/105-702	34	891-8993/205-102	34
891-8992/215-702	21	891-8993/006-503	83	891-8993/105-703	82	891-8993/205-103	82
891-8992/215-801	21	891-8993/006-505	83	891-8993/105-705	82	891-8993/205-105	82
891-8992/215-802	21	891-8993/006-507	83	891-8993/105-707	82	891-8993/205-107	82
891-8992/216-101	23	891-8993/006-601	36	891-8993/105-801	34	891-8993/205-201	34
891-8992/216-102	23	891-8993/006-602	36	891-8993/105-802	34	891-8993/205-202	34
891-8992/216-201	23	891-8993/006-603	83	891-8993/105-803	82	891-8993/205-203	82
891-8992/216-202	23	891-8993/006-605	83	891-8993/105-805	82	891-8993/205-205	82
891-8992/216-301	23	891-8993/006-607	83	891-8993/105-807	82	891-8993/205-207	82
891-8992/216-302	23	891-8993/006-701	36	891-8993/106-101	36	891-8993/205-301	34
891-8992/216-401	23	891-8993/006-702	36	891-8993/106-102	36	891-8993/205-302	34
891-8992/216-402	23	891-8993/006-703	83	891-8993/106-103	83	891-8993/205-303	82
891-8992/216-501	23	891-8993/006-705	83	891-8993/106-105	83	891-8993/205-305	82
891-8992/216-502	23	891-8993/006-707	83	891-8993/106-107	83	891-8993/205-307	82
891-8992/216-601	23	891-8993/006-801	36	891-8993/106-201	36	891-8993/205-401	34
891-8992/216-602	23	891-8993/006-802	36	891-8993/106-202	36	891-8993/205-402	34
891-8992/216-701	23	891-8993/006-803	83	891-8993/106-203	83	891-8993/205-403	82
891-8992/216-702	23	891-8993/006-805	83	891-8993/106-205	83	891-8993/205-405	82
891-8992/216-801	23	891-8993/006-807	83	891-8993/106-207	83	891-8993/205-407	82
891-8992/216-802	23	891-8993/015-101	35	891-8993/106-301	36	891-8993/205-501	34
		891-8993/015-102	35	891-8993/106-302	36	891-8993/205-502	34
		891-8993/015-201	35	891-8993/106-303	83	891-8993/205-503	82
891-8993/005-101	34	891-8993/015-202	35	891-8993/106-305	83	891-8993/205-505	82
891-8993/005-102	34	891-8993/015-301	35	891-8993/106-307	83	891-8993/205-507	82
891-8993/005-103	82	891-8993/015-302	35	891-8993/106-401	36	891-8993/205-601	34
891-8993/005-105	82	891-8993/015-401	35	891-8993/106-402	36	891-8993/205-602	34
891-8993/005-107	82	891-8993/015-402	35	891-8993/106-403	83	891-8993/205-603	82
891-8993/005-201	34	891-8993/015-501	35	891-8993/106-405	83	891-8993/205-605	82
891-8993/005-202	34	891-8993/015-502	35	891-8993/106-407	83	891-8993/205-607	82
891-8993/005-203	82	891-8993/015-601	35	891-8993/106-501	36	891-8993/205-701	34
891-8993/005-205	82	891-8993/015-602	35	891-8993/106-502	36	891-8993/205-702	34
891-8993/005-207	82	891-8993/015-701	35	891-8993/106-503	83	891-8993/205-703	82
891-8993/005-301	34	891-8993/015-702	35	891-8993/106-505	83	891-8993/205-705	82
891-8993/005-302	34	891-8993/015-801	35	891-8993/106-507	83	891-8993/205-707	82
891-8993/005-303	82	891-8993/015-802	35	891-8993/106-601	36	891-8993/205-801	34
891-8993/005-305	82	891-8993/016-101	37	891-8993/106-602	36	891-8993/205-802	34
891-8993/005-307	82	891-8993/016-102	37	891-8993/106-603	83	891-8993/205-803	82
891-8993/005-401	34	891-8993/016-201	37	891-8993/106-605	83	891-8993/205-805	82
891-8993/005-402	34	891-8993/016-202	37	891-8993/106-607	83	891-8993/205-807	82
891-8993/005-403	82	891-8993/016-301	37	891-8993/106-701	36	891-8993/206-101	36
891-8993/005-405	82	891-8993/016-302	37	891-8993/106-702	36	891-8993/206-102	36
891-8993/005-407	82	891-8993/016-401	37	891-8993/106-703	83	891-8993/206-103	83
891-8993/005-501	34	891-8993/016-402	37	891-8993/106-705	83	891-8993/206-105	83
891-8993/005-502	34	891-8993/016-501	37	891-8993/106-707	83	891-8993/206-107	83
891-8993/005-503	82	891-8993/016-502	37	891-8993/106-801	36	891-8993/206-201	36
891-8993/005-505	82	891-8993/016-601	37	891-8993/106-802	36	891-8993/206-202	36
891-8993/005-507	82	891-8993/016-602	37	891-8993/106-803	83	891-8993/206-203	83
891-8993/005-601	34	891-8993/016-701	37	891-8993/106-805	83	891-8993/206-205	83
891-8993/005-602	34	891-8993/016-702	37	891-8993/106-807	83	891-8993/206-207	83
891-8993/005-603	82	891-8993/016-801	37	891-8993/115-101	35	891-8993/206-301	36
891-8993/005-605	82	891-8993/016-802	37	891-8993/115-102	35	891-8993/206-302	36
891-8993/005-607	82	891-8993/105-101	34	891-8993/115-201	35	891-8993/206-303	83
891-8993/005-701	34	891-8993/105-102	34	891-8993/115-202	35	891-8993/206-305	83
891-8993/005-702	34	891-8993/105-103	82	891-8993/115-301	35	891-8993/206-307	83
891-8993/005-703	82	891-8993/105-105	82	891-8993/115-302	35	891-8993/206-401	36
891-8993/005-705	82	891-8993/105-107	82	891-8993/115-401	35	891-8993/206-402	36
891-8993/005-707	82	891-8993/105-201	34	891-8993/115-402	35	891-8993/206-403	83
891-8993/005-801	34	891-8993/105-202	34	891-8993/115-501	35	891-8993/206-405	83
891-8993/005-802	34	891-8993/105-203	82	891-8993/115-502	35	891-8993/206-407	83
891-8993/005-803	82	891-8993/105-205	82	891-8993/115-601	35	891-8993/206-501	36
891-8993/005-805	82						

Item No.	Page	Item No.	Page	Item No.	Page	Item No.	Page
<b>891 Series</b>		<b>891 Series</b>		<b>891 Series</b>		<b>891 Series</b>	
891-8993/206-502	36	891-8994/006-202	46	891-8994/106-205	93	891-8994/206-301	46
891-8993/206-503	83	891-8994/006-203	93	891-8994/106-207	93	891-8994/206-302	46
891-8993/206-505	83	891-8994/006-205	93	891-8994/106-301	46	891-8994/206-303	93
891-8993/206-507	83	891-8994/006-207	93	891-8994/106-302	46	891-8994/206-305	93
891-8993/206-601	36	891-8994/006-301	46	891-8994/106-303	93	891-8994/206-307	93
891-8993/206-602	36	891-8994/006-302	46	891-8994/106-305	93	891-8994/206-401	46
891-8993/206-603	83	891-8994/006-303	93	891-8994/106-307	93	891-8994/206-402	46
891-8993/206-605	83	891-8994/006-305	93	891-8994/106-401	46	891-8994/206-403	93
891-8993/206-607	83	891-8994/006-307	93	891-8994/106-402	93	891-8994/206-405	93
891-8993/206-701	36	891-8994/006-401	46	891-8994/106-403	46	891-8994/206-407	93
891-8993/206-702	36	891-8994/006-402	46	891-8994/106-405	93	891-8994/206-501	46
891-8993/206-703	83	891-8994/006-403	93	891-8994/106-407	93	891-8994/206-502	46
891-8993/206-705	83	891-8994/006-405	93	891-8994/106-501	46	891-8994/206-503	93
891-8993/206-707	83	891-8994/006-407	93	891-8994/106-502	46	891-8994/206-505	93
891-8993/206-801	36	891-8994/006-501	46	891-8994/106-503	93	891-8994/206-507	93
891-8993/206-802	36	891-8994/006-502	46	891-8994/106-505	93	891-8994/206-601	46
891-8993/206-803	83	891-8994/006-503	93	891-8994/106-507	93	891-8994/206-602	46
891-8993/206-805	83	891-8994/006-505	93	891-8994/106-601	46	891-8994/206-603	93
891-8993/206-807	83	891-8994/006-507	93	891-8994/106-602	46	891-8994/206-605	93
891-8993/215-101	35	891-8994/006-601	46	891-8994/106-603	93	891-8994/206-607	93
891-8993/215-102	35	891-8994/006-602	46	891-8994/106-605	93	891-8994/206-701	46
891-8993/215-201	35	891-8994/006-603	93	891-8994/106-607	93	891-8994/206-702	46
891-8993/215-202	35	891-8994/006-605	93	891-8994/106-701	46	891-8994/206-703	93
891-8993/215-301	35	891-8994/006-607	93	891-8994/106-702	46	891-8994/206-705	93
891-8993/215-302	35	891-8994/006-701	46	891-8994/106-703	93	891-8994/206-707	93
891-8993/215-401	35	891-8994/006-702	46	891-8994/106-705	93	891-8994/206-801	46
891-8993/215-402	35	891-8994/006-703	93	891-8994/106-707	93	891-8994/206-802	46
891-8993/215-501	35	891-8994/006-705	93	891-8994/106-801	46	891-8994/206-803	93
891-8993/215-502	35	891-8994/006-707	93	891-8994/106-802	46	891-8994/206-805	93
891-8993/215-601	35	891-8994/006-801	46	891-8994/106-803	93	891-8994/206-807	93
891-8993/215-602	35	891-8994/006-802	46	891-8994/106-805	93	891-8994/216-101	47
891-8993/215-701	35	891-8994/006-803	93	891-8994/106-807	93	891-8994/216-102	47
891-8993/215-702	35	891-8994/006-805	93	891-8994/116-101	47	891-8994/216-201	47
891-8993/215-801	35	891-8994/006-807	93	891-8994/116-102	47	891-8994/216-202	47
891-8993/215-802	35	891-8994/016-101	47	891-8994/116-201	47	891-8994/216-301	47
891-8993/216-101	37	891-8994/016-102	47	891-8994/116-202	47	891-8994/216-302	47
891-8993/216-102	37	891-8994/016-201	47	891-8994/116-301	47	891-8994/216-401	47
891-8993/216-201	37	891-8994/016-202	47	891-8994/116-302	47	891-8994/216-402	47
891-8993/216-202	37	891-8994/016-301	47	891-8994/116-401	47	891-8994/216-501	47
891-8993/216-301	37	891-8994/016-302	47	891-8994/116-402	47	891-8994/216-502	47
891-8993/216-302	37	891-8994/016-401	47	891-8994/116-501	47	891-8994/216-601	47
891-8993/216-401	37	891-8994/016-402	47	891-8994/116-502	47	891-8994/216-602	47
891-8993/216-402	37	891-8994/016-501	47	891-8994/116-601	47	891-8994/216-701	47
891-8993/216-501	37	891-8994/016-502	47	891-8994/116-602	47	891-8994/216-702	47
891-8993/216-502	37	891-8994/016-601	47	891-8994/116-701	47	891-8994/216-801	47
891-8993/216-601	37	891-8994/016-602	47	891-8994/116-702	47	891-8994/216-802	47
891-8993/216-602	37	891-8994/016-701	47	891-8994/116-801	47		
891-8993/216-701	37	891-8994/016-702	47	891-8994/116-802	47	891-8995/005-103	100
891-8993/216-702	37	891-8994/016-801	47	891-8994/205-103	92	891-8995/005-105	100
891-8993/216-801	37	891-8994/016-802	47	891-8994/205-105	92	891-8995/005-107	100
891-8993/216-802	37	891-8994/105-103	92	891-8994/205-107	92	891-8995/005-203	100
		891-8994/105-105	92	891-8994/205-203	92	891-8995/005-205	100
891-8994/005-103	92	891-8994/105-107	92	891-8994/205-205	92	891-8995/005-207	100
891-8994/005-105	92	891-8994/105-203	92	891-8994/205-207	92	891-8995/005-303	100
891-8994/005-107	92	891-8994/105-205	92	891-8994/205-303	92	891-8995/005-305	100
891-8994/005-203	92	891-8994/105-207	92	891-8994/205-305	92	891-8995/005-307	100
891-8994/005-205	92	891-8994/105-303	92	891-8994/205-307	92	891-8995/005-403	100
891-8994/005-207	92	891-8994/105-305	92	891-8994/205-403	92	891-8995/005-405	100
891-8994/005-303	92	891-8994/105-307	92	891-8994/205-405	92	891-8995/005-407	100
891-8994/005-305	92	891-8994/105-403	92	891-8994/205-407	92	891-8995/005-503	100
891-8994/005-307	92	891-8994/105-405	92	891-8994/205-503	92	891-8995/005-505	100
891-8994/005-403	92	891-8994/105-407	92	891-8994/205-505	92	891-8995/005-507	100
891-8994/005-405	92	891-8994/105-503	92	891-8994/205-507	92	891-8995/005-603	100
891-8994/005-407	92	891-8994/105-505	92	891-8994/205-603	92	891-8995/005-605	100
891-8994/005-503	92	891-8994/105-507	92	891-8994/205-605	92	891-8995/005-607	100
891-8994/005-505	92	891-8994/105-603	92	891-8994/205-607	92	891-8995/005-703	100
891-8994/005-507	92	891-8994/105-605	92	891-8994/205-703	92	891-8995/005-705	100
891-8994/005-603	92	891-8994/105-607	92	891-8994/205-705	92	891-8995/005-707	100
891-8994/005-605	92	891-8994/105-703	92	891-8994/205-707	92	891-8995/005-803	100
891-8994/005-607	92	891-8994/105-705	92	891-8994/205-803	92	891-8995/005-805	100
891-8994/005-703	92	891-8994/105-707	92	891-8994/205-805	92	891-8995/005-807	100
891-8994/005-705	92	891-8994/105-803	92	891-8994/205-807	92	891-8995/006-101	56
891-8994/005-707	92	891-8994/105-805	92	891-8994/206-101	46	891-8995/006-102	56
891-8994/005-803	92	891-8994/105-807	92	891-8994/206-102	46	891-8995/006-103	101
891-8994/005-805	92	891-8994/106-101	46	891-8994/206-103	93	891-8995/006-105	101
891-8994/005-807	92	891-8994/106-102	46	891-8994/206-105	93	891-8995/006-107	101
891-8994/006-101	46	891-8994/106-103	93	891-8994/206-107	93	891-8995/006-201	56
891-8994/006-102	46	891-8994/106-105	93	891-8994/206-201	46	891-8995/006-202	56
891-8994/006-103	93	891-8994/106-107	93	891-8994/206-202	46	891-8995/006-203	101
891-8994/006-105	93	891-8994/106-201	46	891-8994/206-203	93	891-8995/006-205	101
891-8994/006-107	93	891-8994/106-202	46	891-8994/206-205	93	891-8995/006-207	101
891-8994/006-201	46	891-8994/106-203	93	891-8994/206-207	93	891-8995/006-301	56



**WINSTA®****Item Number Index**

Item No.	Page	Item No.	Page	Item No.	Page	Item No.	Page
<b>891 Series</b>		<b>891 Series</b>		<b>891 Series</b>		<b>894 Series</b>	
891-8995/006-302	56	891-8995/106-305	101	891-8995/206-401	56	894-8992/133-106	290
891-8995/006-303	101	891-8995/106-307	101	891-8995/206-402	56	894-8992/133-306	290
891-8995/006-305	101	891-8995/106-401	56	891-8995/206-403	101	894-8992/133-506	290
891-8995/006-307	101	891-8995/106-402	56	891-8995/206-405	101	894-8992/223-106	290
891-8995/006-401	56	891-8995/106-403	101	891-8995/206-407	101	894-8992/223-107	291
891-8995/006-402	56	891-8995/106-405	101	891-8995/206-501	56	894-8992/223-306	290
891-8995/006-403	101	891-8995/106-407	101	891-8995/206-502	56	894-8992/223-307	291
891-8995/006-405	101	891-8995/106-501	56	891-8995/206-503	101	894-8992/223-506	290
891-8995/006-407	101	891-8995/106-502	56	891-8995/206-505	101	894-8992/223-507	291
891-8995/006-501	56	891-8995/106-503	101	891-8995/206-507	101	894-8992/233-106	290
891-8995/006-502	56	891-8995/106-505	101	891-8995/206-601	56	894-8992/233-306	290
891-8995/006-503	101	891-8995/106-507	101	891-8995/206-602	56	894-8992/233-506	290
891-8995/006-505	101	891-8995/106-601	56	891-8995/206-603	101		
891-8995/006-507	101	891-8995/106-602	56	891-8995/206-605	101	<b>895 Series</b>	
891-8995/006-601	56	891-8995/106-603	101	891-8995/206-607	101	895-1051	312
891-8995/006-602	56	891-8995/106-605	101	891-8995/206-701	56	895-1052	312
891-8995/006-603	101	891-8995/106-607	101	891-8995/206-702	101		
891-8995/006-605	101	891-8995/106-701	56	891-8995/206-703	101	895-1601	361
891-8995/006-607	101	891-8995/106-702	56	891-8995/206-705	101	895-1602	361
891-8995/006-701	56	891-8995/106-703	101	891-8995/206-707	101	895-1603	361
891-8995/006-702	56	891-8995/106-705	101	891-8995/206-801	56	895-1604	361
891-8995/006-703	101	891-8995/106-707	101	891-8995/206-802	56	895-1605	361
891-8995/006-705	101	891-8995/106-801	56	891-8995/206-803	101	895-1605	361
891-8995/006-707	101	891-8995/106-802	56	891-8995/206-805	101	895-1651	314
891-8995/006-801	56	891-8995/106-803	101	891-8995/216-101	57	895-1652	314
891-8995/006-802	56	891-8995/106-805	101	891-8995/216-102	57		
891-8995/006-803	101	891-8995/106-807	101	891-8995/216-102	57	<b>896 Series</b>	
891-8995/006-805	101	891-8995/116-101	57	891-8995/216-201	57	896-231	310
891-8995/006-807	101	891-8995/116-102	57	891-8995/216-202	57	896-232	310
891-8995/016-101	57	891-8995/116-201	57	891-8995/216-301	57	896-233	311
891-8995/016-102	57	891-8995/116-202	57	891-8995/216-302	57	896-234	311
891-8995/016-201	57	891-8995/116-301	57	891-8995/216-401	57		
891-8995/016-202	57	891-8995/116-302	57	891-8995/216-402	57	<b>897 Series</b>	
891-8995/016-301	57	891-8995/116-401	57	891-8995/216-501	57	897-120	363
891-8995/016-302	57	891-8995/116-402	57	891-8995/216-502	57	897-121	308
891-8995/016-401	57	891-8995/116-501	57	891-8995/216-601	57	897-122	308
891-8995/016-402	57	891-8995/116-502	57	891-8995/216-602	57		
891-8995/016-501	57	891-8995/116-601	57	891-8995/216-701	57	897-230	363
891-8995/016-502	57	891-8995/116-602	57	891-8995/216-702	57	897-231	311
891-8995/016-601	57	891-8995/116-701	57	891-8995/216-801	57	897-232	311
891-8995/016-602	57	891-8995/116-702	57	891-8995/216-802	57	897-250	363
891-8995/016-701	57	891-8995/116-801	57			897-251	300
891-8995/016-702	57	891-8995/116-802	57	<b>893 Series</b>		897-252	300
891-8995/016-801	57	891-8995/205-103	100	893-121	306	897-260	363
891-8995/016-802	57	891-8995/205-105	100	893-122	307	897-261	301
891-8995/105-103	100	891-8995/205-107	100	893-129	307	897-262	301
891-8995/105-105	100	891-8995/205-203	100				
891-8995/105-107	100	891-8995/205-205	100	893-261	302	897-453	301
891-8995/105-203	100	891-8995/205-207	100	893-262	303		
891-8995/105-205	100	891-8995/205-303	100	893-269	303		
891-8995/105-207	100	891-8995/205-305	100			897-839	362
891-8995/105-303	100	891-8995/205-307	100	893-1002	287	897-859	362
891-8995/105-305	100	891-8995/205-403	100	893-1012	287	897-878	362
891-8995/105-307	100	891-8995/205-405	100	893-1022	287		
891-8995/105-403	100	891-8995/205-407	100	893-1032	287	897-900	363
891-8995/105-405	100	891-8995/205-503	100			897-901	363
891-8995/105-407	100	891-8995/205-505	100	893-1606	289	897-931	367
891-8995/105-503	100	891-8995/205-507	100	893-1656	289	897-951	367
891-8995/105-505	100	891-8995/205-603	100			897-952	367
891-8995/105-507	100	891-8995/205-605	100	893-2002	288	897-970	367
891-8995/105-603	100	891-8995/205-607	100	893-2012	288	897-971	367
891-8995/105-605	100	891-8995/205-703	100	893-2022	288	897-972	367
891-8995/105-607	100	891-8995/205-705	100	893-2032	288		
891-8995/105-703	100	891-8995/205-707	100			897-1050	363
891-8995/105-705	100	891-8995/205-803	100	<b>894 Series</b>		897-1051	313
891-8995/105-707	100	891-8995/205-805	100	894-8992/023-106	290	897-1052	313
891-8995/105-803	100	891-8995/205-807	100	894-8992/023-107	291		
891-8995/105-805	100	891-8995/206-101	56	894-8992/023-306	290	897-1650	363
891-8995/105-807	100	891-8995/206-102	56	894-8992/023-307	291	897-1651	315
891-8995/106-101	56	891-8995/206-103	101	894-8992/023-506	290	897-1652	315
891-8995/106-102	56	891-8995/206-105	101	894-8992/023-507	291		
891-8995/106-103	101	891-8995/206-107	101	894-8992/033-106	290		
891-8995/106-105	101	891-8995/206-201	56	894-8992/033-306	290	<b>899 Series</b>	
891-8995/106-107	101	891-8995/206-202	56	894-8992/033-506	290	899-631	348
891-8995/106-201	56	891-8995/206-203	101	894-8992/123-106	290	899-631/100-000	325
891-8995/106-202	56	891-8995/206-205	101	894-8992/123-107	291	899-631/104-000	319
891-8995/106-203	101	891-8995/206-207	101	894-8992/123-306	290	899-631/105-000	326
891-8995/106-205	101	891-8995/206-301	56	894-8992/123-307	291	899-631/123-000	341
891-8995/106-207	101	891-8995/206-302	56	894-8992/123-506	290	899-631/130-000	342
891-8995/106-301	56	891-8995/206-303	101	894-8992/123-507	291	899-631/140-000	320
891-8995/106-302	56	891-8995/206-305	101				
891-8995/106-303	101	891-8995/206-307	101				

Item No.	Page	Item No.	Page	Item No.	Page	Item No.	Page
<b>899 Series</b>							
899-631/149-000	330						
899-631/180-000	340						
899-631/181-000	334						
899-631/186-000	326						
899-631/187-000	323						
899-631/189-000	343						
899-631/302-000	329						
899-631/304-000	341						
899-631/305-000	344						
899-631/308-000	344						
899-631/309-000	339						
899-631/311-000	322						
899-631/312-000	324						
899-631/313-000	336						
899-631/315-000	345						
899-631/319-000	336						
899-631/327-000	323						
899-631/330-000	320						
899-631/331-000	321						
899-631/334-000	322						
899-631/338-000	330						
899-631/339-000	331						
899-631/341-000	324						
899-631/346-000	327						
899-631/349-000	328						
899-631/350-000	329						
899-631/354-000	334						
899-631/363-000	342						
899-631/374-000	340						
899-631/386-000	343						
899-631/395-000	321						
899-631/405-000	337						
899-631/421-000	338						
899-631/442-000	338						
899-631/443-000	339						
899-631/444-000	337						
899-631/450-000	332						
899-631/453-000	333						
899-631/454-000	333						
899-631/455-000	335						
899-632	348						
899-632/101-000	346						
899-632/138-000	347						
899-632/182-000	345						
899-632/199-000	346						
899-681	348						
899-681/100-000	325						
899-681/104-000	319						
899-681/105-000	327						
899-681/123-000	331						
899-681/129-000	335						
899-681/142-000	328						
899-681/450-000	332						
899-682	348						

# WAGO Worldwide Companies and Representatives

**Algeria**  
please contact WAGO France

**Argentina**  
Bruno Schillig S.A.  
Arenales 4030, B1604CFD  
Florida, PBA  
Phone +54 11 4730 1100  
Fax +54 11 4761 7244  
wago@schillig.com.ar

**Austria**  
WAGO Kontakttechnik Ges.m.b.H.  
Europaring F15 602  
Campus 21  
2345 Brunn am Gebirge  
Phone +43 1 6150780  
Fax +43 1 6150775  
wago-at@wago.com

**Azerbaijan**  
AZ Technics LTD  
Zulfi V. Alizade  
Y.Safarov str.33, AZ1025,  
Baku  
Republic of Azerbaijan  
Phone +994 50 210 24 49  
Fax +994 12 496 83 34  
info@AZtechnics.az

**Australia**  
WAGO Pty. Ltd.  
2-4 Overseas Drive  
Noble Park Victoria 3174  
Phone +61 03 8791 6300  
Fax +61 03 9701 0177  
sales.anz@wago.com

**Bangladesh**  
please contact WAGO India

**Belarus**  
OOO FEK  
pr-t Pushkina 29-B  
220015 Minsk  
Phone +375 17 2102189  
Fax +375 17 2102189  
wago@fek.by

UP ATAVA  
ul. Denisovskaya, 47, office 1  
220006 Minsk  
Phone +375 17 2054015  
Fax +375 17 2851759

**Belgium**  
WAGO BeLux nv  
Excelsiorlaan 11  
1930 Zaventem  
Phone +32 2 717 9090  
Fax +32 2 717 9099  
info-be@wago.com

**Bolivia**  
ISOTEK S.R.L.  
Zona Casco Viejo  
Calle Isso #578, B/San Roque  
Santa Cruz  
Phone +591 721 000 27

**Bosnia and Herzegovina**  
please contact WAGO Bulgaria

**Brazil**  
WAGO Eletroeletrônicos Ltda  
Rua Américo Simões 1470  
São Roque da Chave  
Itupeva SP Brasil 13295-000  
Phone +55 11 4591 0199  
Fax +55 11 4591 0190  
info.br@wago.com

**Bulgaria**  
WAGO Kontakttechnik GmbH & Co.  
KG/  
Representative Office Sofia  
Business Center Serdika  
2E Akad. Ivan Geshov Blvd.  
Building 1, Floor 4, Office 417  
1330 Sofia  
Phone +359 2 489 46 09/10  
Fax +359 2 928 28 50  
info-BG@wago.com

**Canada**  
please contact WAGO USA

**Chile**  
Desimat Chile  
Av Puerto Vespuccio 9670  
Pudahuel Santiago  
Phone +56 2 747 0152  
Fax +56 2 747 0153  
ventaschile@desimat.cl

**China**  
WAGO Electronic (Tianjin) Co., Ltd.  
No.5, Quan Hui Road  
Wuqing Development Area  
Tianjin 301700  
Phone +86 22 5967 7688  
Fax +86 22 5961 7668  
info-cn@wago.com

**Colombia**  
T.H.L. Ltda.  
Cra. 49 B # 91-33  
Bogotá  
Phone +57 1 621 85 50  
Fax +57 1 621 60 28  
ventas-thl@thl-lda.com

**Croatia**  
M.B.A. d.o.o.  
Frana Supila 5  
51211 Matulji  
Phone +385 51 275-736  
Fax +385 51 275-066  
mba@ri.htnet.hr

**MICROSTAR d.o.o.**  
Siget 18 b  
10020 Zagreb  
Phone +385 1 3647 849  
Fax +385 1 3636 662  
wago@microstar.hr

**Czech Republic**  
WAGO Elektro spol. sr. o.  
Rozvodova 1116/36  
143 00 Praha 4 - Modřany  
Phone +420 261 090 143  
Fax +420 261 090 144  
info.cz@wago.com  
wago-cz@wago.com

**Denmark**  
WAGO Denmark A/S  
Lejrvej 17  
3500 Værløse  
Phone +45 44 357 777  
info.dk@wago.com

**Egypt**  
IBN Engineering Instrumentation &  
Control  
71 a El Shaheed Ahmed Hamdi St.  
King Faisal, Giza  
Phone +20 2 721 4350  
Fax +20 2 722 1709  
sales@ibnengineering.com

**Ecuador**  
ECUAINSETEC CIA LTDA  
Yugoslavia N34-110 y Azuay  
Quito  
Phone +593 2 24 50 475  
Fax +593 2 22 51 242  
g.castro@ecuainsetec.com.ec

**Estonia**  
Eltarko OÜ  
Laki 14 - 502  
10621 Tallinn  
Phone +372 651 7731  
Fax +372 651 7786  
andres@eltarko.ee

**Finland**  
WAGO Finland Oy  
Vellamonkatu 30 B  
00550 Helsinki  
Phone +358 9 7744 060  
Fax +358 9 7744 0660  
tilaus@wago.fi

**France**  
WAGO Contact SAS  
Paris Nord 2  
83 Rue des Chardonnerets  
B.P. 55065 - Tremblay en France  
95947 - ROISSY CDG CEDEX  
Phone +33 1 4817 2590  
Fax +33 1 4863 2520  
info-fr@wago.com

**Germany**  
WAGO Kontakttechnik GmbH & Co. KG  
Postfach 28 80, 32385 Minden  
Hansastraße 27  
32423 Minden  
Phone +49 571 887-0  
Fax +49 571 887-844169  
info@wago.com

**Germany**  
WAGO Kontakttechnik GmbH & Co. KG  
Waldstraße 1  
99706 Sondershausen  
Phone +49 3632 659-0  
Fax +49 3632 659-100  
info@wago.com

**Great Britain**  
WAGO Limited  
Triton Park, Swift Valley Industrial  
Estate  
RUGBY  
Warwickshire, CV21 1SG  
Phone +44 1788 568 008  
Fax +44 1788 568 050  
uksales@wago.com

**Greece**  
PANAGIOTIS SP. DIMOULAS  
DIMOULAS AUTOMATIONS  
Kritis Str. 26  
10439 Athens  
Phone +30 210 883 3337  
Fax +30 210 883 4436  
wago.info@dimoulas.com.gr

**Honduras**  
CILASAS S.A. de C.V.  
Barrio Los Andes  
7 Calle entre 14 y 15 Ave. N.O.  
P.O. Box. 1061  
San Pedro Sula  
Phone +504 2557 1146/7  
Fax +504 2557 1149

**Hong Kong**  
National Concord Eng., Ltd.  
Unit A-B, 5/F.  
Southeast Industrial Building  
611-619 Castle Peak Road  
Tsuen Wan, N.T.  
Phone +852 2429 2611  
Fax +852 2429 2164  
sales@nce.com.hk

**Hungary**  
WAGO Hungária KFT  
Ipari Park, Gyár u. 2  
2040 Budapest  
Phone +36 23 502-170  
Fax +36 23 502-166  
info.hu@wago.com

**Iceland**  
S. Gudjonsson ehf.  
Audbrekku 9-11  
202 Kopavogur  
Phone +354 520-4500  
Fax +354 520-4501  
export@wago.com

**India**  
WAGO Private Limited  
C-27, Sector-58, Phase-III  
Noida-201 301  
Gautam Budh Nagar (U.P.)  
Phone +91 120 438 8700  
Fax +91 120 438 8799  
info.india@wago.com

**Indonesia**  
please contact WAGO Singapore

**Iraq**  
please contact WAGO Middle East

**Ireland**  
Drives & Controls  
Unit F4, Riverview Business Park  
Nangor Road  
Dublin 12  
Phone +353 1 4604474  
Fax +353 1 4604507  
info@drivesandcontrols.ie

**Israel**  
Comtel Israel Electronic Solutions Ltd.  
Bet Hapaamon  
20 Hataas Street  
P.O. Box 66  
44425 Kefar-Saba  
Phone +972 9 76 77 240  
Fax +972 9 76 77 243  
sales@comPhoneco.il

**Italy**  
WAGO ELETTRONICA SRL a Socio  
Unico  
Via Parini 1  
40033 Casalecchio di Reno (BO)  
Phone +39 051 6132112  
Fax +39 051 6272174  
info-ita@wago.com

**Japan**  
WAGO Co. of JAPAN Ltd.  
Kinsicho Prime Tower  
5-7, Kameido, Koto-Ku  
Tokyo 136-0071  
Phone +81 3 5627 2059  
Fax +81 3 5627 2055  
info-jp@wago.com

**Jordan**  
please contact WAGO Middle East

**Kazakhstan**  
TOO INTANT  
232/2, Ryskulov avenue  
050061 Almaty  
Phone +7 727 356 52 91/92/93  
Fax +7 727 327 14 92/93  
ee@intant.net  
ees\_sm1@intant.net

TOO Technik-Trade  
ul. i. A. Protosanova, 81  
070004 Ust-Kamenogorsk  
Phone +7 7232 254 064  
Fax +7 7232 253 251  
info@technik.kz

**Korea**  
WAGO Korea Co., Ltd.  
Room 205 AnyangMegaValley,  
268, Hagui-ro, Dongan-gu, Anyang-si,  
Gyeonggi-do, 14056, South Korea  
Phone +82 31 421 9500  
info.korea@wago.com

**Kosovo**  
please contact WAGO Bulgaria

**Latvia**  
INSTABALT LATVIA SIA  
Vestienas iela 6  
Riga, LV-1035  
Phone +371 6790 1188  
Fax +371 6790 1180  
info@instabalt.lv

**Lebanon**  
Gemayel Trading & Contracting  
Antonins Project  
P.O. BOX 70-1096  
Antelias  
Lebanon  
Phone +961 4 521 029  
Fax +961 4 521 029  
info@uae.com

**Lithuania**  
INSTABALT LIT UAB  
Savanorių 187  
Vilnius, 2053  
Phone +370 52 322 295  
Fax +370 52 322 247  
info@instabalt.lt

**Luxembourg**  
please contact WAGO Belgium

**Macedonia**  
please contact WAGO Bulgaria

Kompjunet Inzenering  
Vladimir Komarov 1A-3/9  
1000 Skopje  
Republic of Macedonia  
Phone +389 2 521 12 00  
Phone +389 2 526 11 08

**Malaysia**  
WAGO Representative Office Malaysia  
No 806, Block A4, Leisure Commerce  
Square,  
No 9, Jalan PJS 8/9, 46150 Petaling  
Jaya,  
Selangor Darul Ehsan, Malaysia  
Phone +60 3 7877 1776  
Fax +60 3 7877 2776  
kian.guan.tan@wago.com

HPH Materials (M) Sdn Bhd  
No. 4, Jalan Nilam 1/6  
Suban Hi-Tech Industrial Park  
40000 Shah Alam  
Selangor, D.E. Malaysia  
Phone +60 3 5638 2213  
Fax +60 3 5638 8213  
info@hphmaterials.com

**Maldives**  
please contact WAGO India



**Mexico**

WAGO SA de CV  
Av. Del Marques 38 Bodega 3  
P. I. Bernardo Quintana  
76246 El Marques, Querétaro  
Phone +52 442 221 5946  
Fax +52 442 221 5063  
info.mx@wago.com

**Moldova**

Electroservice Slavinschi T.T.  
str. Bolgarskaia 9, office 6  
2001 Kishinev  
Phone +373 22 274427  
Fax +373 22 224481  
es@es.mldnet.com

**Morocco**

Automatisme & Connection Maroc  
23, Rue Bourred, 2ème étage, appt4  
Roche Noire  
20300 Casablanca  
Phone +212 522 24 21 72/73  
Fax +212 522 24 21 75  
info-fr@wago.com

**Nepal**

please contact WAGO India

**Netherlands**

WAGO Nederland BV.  
Laan van de Ram 19  
7234 BW APELDOORN  
Phone +31 55 36 83 500  
Fax +31 55 36 83 599  
info-nl@wago.com

**New Zealand**

please contact WAGO Australia

**NHP NZ**

7 Lockhart Place  
Mt Wellington  
New Zealand  
Phone +64 9 2761967  
Fax +64 9 2761992  
export@wago.com

**Nigeria**

GIL Automations Ltd.  
Daily Times Complex  
2 Lateef Jakande Rd., Agidingbi  
100271 Ikeja, Lagos State  
Phone +234 17132672335  
sales@gilautomation.com

**Norway**

WAGO Norge AS  
Jerikoveien 20  
1067 Oslo  
Phone +47 22 30 94 50  
Fax +47 22 30 94 51  
info.no@wago.com

**Oman**

please contact WAGO Middle East

**Pakistan**

FuziLogiX Automation & Control  
Suit No. 14, 5th Floor, Shan Arcade  
New Garden Town, Lahore  
Pakistan  
Phone +92 42 594 1503 - 4  
Fax +92 42 585 1431  
info@fuzilogix.com

**Paraguay**

AESA  
Av. Madame Lynch  
c/Antolin Irala  
2309 Asunción  
Tel. +59 521674524  
info@aesa.com.py

**Peru**

Manufacturas Eléctricas S.A.  
Av O.R. Benavides 1215  
15000 Lima  
Phone +511 6196200  
Fax +511 6196247

**Philippines**

please contact WAGO Singapore

**Poland**

WAGO ELWAG sp. z o. o.  
ul. Piekna 58 a  
50-506 Wrocław  
Phone +48 71 3602970  
Fax +48 71 3602999  
wago.elwag@wago.com

**Portugal**

MORGADO & CA. LDA - SEDE  
Estrada Exterior da  
Circunvalação 3558/3560  
Apartado 1057  
4435 Rio Tinto  
Phone +351 22 9770600  
Fax +351 22 9770699  
geral@morgadocli.pt

**Quatar**

please contact WAGO Middle East

**Romania**

WAGO Kontakttechnik GmbH & Co. KG  
Representative Office Romania  
Sos. Pipera-Tunari nr. 1/1  
building 1, 2nd floor  
077190 Voluntari, Ilfov  
Tel. +40-(0)31 421 85 68  
info-RO@wago.com

**VDR & Servicii srl**

Str. Valeriu Braniște, nr. 60, ap.1, sector 3  
Romania  
Phone +40 21 3225074/76  
Fax +40 21 3225075  
office@componente-automatizari.ro

**Russia**

OOO WAGO Contact Rus  
Dmitrovskoe shosse, 157,  
bldg. 12/5  
127411 Moscow  
Russia  
Phone +7 495 663-3305  
Fax +7 495 663-3308  
info.ru@wago.com

**OOO Decima**

Projesd 4922, d. 4, str. 1  
124460 Moscow / Selenograd  
Phone +7 495 988 4858  
Fax +7 495 988 4858  
decima@decima.ru

**OOO Prosoft**

ul. Profsouznaya, 108  
117437 Moscow  
Phone +7 495 2340636  
Fax +7 495 2340640  
info@prosoft.ru

**ITC Electronics: Moscow**

Radio str. 24  
105005 Moscow  
Phone +7 495 775 1845  
Fax +7 495 775 1848  
moscow@itc-electronics.com

**WAGO Branch office**

Ekaterinburg  
Phone +7 343 216 3426

**WAGO Branch office**

Novosibirsk  
Phone +7 383 217 9244

**WAGO Branch office**

St. Petersburg  
Phone +7 812 312 1918

**Saudi Arabia**

Saudi Electronic Trading Company  
(SETRA), P.O. Box 60712  
11555-Riyadh  
Phone +966 1 2062277  
Fax +966 1 2062277  
khaled.wafai@setra.com.sa

**Serbia**

please contact WAGO Bulgaria

**Avalon Partners doo**

Patrijarha Dimitrija 24  
11000 Beograd  
Phone +381 11 268 5311  
Fax +381 11 268 5311  
office@avalon.rs

**Sigma doo**

Balzakova 3  
21000 Novi Sad  
Phone +381 21 468 431  
Fax +381 21 636 1785  
office@sigmadoo.co.rs

**Singapore**

WAGO Electronic Pte Ltd  
No. 10 Upper Aljunied Link #04-04  
Singapore 367904  
Phone +65 62866776  
Fax +65 62842425  
info-sing@wago.com

**Slovakia**

Proelektr spol. s r.o.  
Na barine 22  
841 03 Bratislava - Lamač  
Phone +421 2 4569 2503  
info@wago.sk

**Slovenia**

IC elektronika d.o.o.  
Vodovodna cesta 100  
1000 Ljubljana  
Phone +386 1568 0126  
Fax +386 1568 9107  
info@ic-elect.si

**GENERA d.o.o.**

Prevale 10  
1236 Trzin  
Phone +386 14393050  
Fax +386 14393090  
genera@genera.si

**Slovenia**

Elektronabava d.o.o.  
Cesta 24 junija 3  
1231 Ljubljana  
Phone +386 1 58 99 300  
Fax +386 1 58 99 409  
info@elektronabava.si

**South Africa**

Shorrock Automation (Pty) Ltd  
Postnet Suite # 219  
Private Bag X 8, Elardus Park  
0047 PRETORIA  
Phone +27 12 4500300  
Fax +27 12 4500322  
sales@shorrock.co.za

**Spain**

DICOMAT S.L.  
Avda. de la Industria, 36  
Apartado Correos, 1.178  
28108-Alcobendas (Madrid)  
Phone +34 91 662 1362  
Fax +34 91 661 0089  
info@dicomat-asetyc.com

**Sweden**

WAGO Sverige AB  
Tyskland Filial  
Box 111127, 161 11 BROMMA  
Besöksadress: Adolfsbergsv. 31  
Phone +46 858410680  
Fax +46 858410699  
info.se@wago.com

**Switzerland**

WAGO CONTACT SA  
Rte. de l'Industrie 19  
Case Postale 168  
1564 Domdidier  
Phone +4126 676 75 00  
Fax +4126 676 75 01  
info.switzerland@wago.com

**Sri Lanka**

please contact WAGO India

**Syria**

Zahabi Co.  
8/5 Shouhadada St., P.O. Box 8262  
Aleppo  
Phone +963 21 21 22 235 / 6  
Fax +963 21 21 22 23 7  
info.uae@wago.com

**Taiwan R.O.C.**

WAGO Contact, Ltd.  
5F., No.168, Jiankang Rd  
Zhonghe City  
Taipei County 23585, Taiwan  
Phone +886 2 2225 0123  
Fax +886 2 2225 1511  
info.taiwan@wago.com

**Thailand**

WAGO Representative Office Thailand  
4th Floor, KS Building  
213/6-8 Rachada-Phisek Road  
Dingdaeng, Bangkok 10400  
Phone +66 2 6935611  
Fax +66 2 6935612  
warongkon.khankham@wago.com

US Power Distribution Co., Ltd.  
4th Floor, KS Building  
213/6-8 Rachada-Phisek Road  
Dingdaeng, Bangkok 10400  
Phone +66 2 2763040  
Fax +66 2 2763049  
uspower2014@gmail.com

**Thailand**

Itthirrit Technology Co., Ltd.  
Vision Business Park 2 Floor 4  
Soi Raminthra 55/8, Watcharapon Road  
Tharaeng, Bangkok District  
Bangkok Thailand 10220  
Tel. +66 2 347 0780  
Fax +66 2 347 0772  
sales@itthirrittechnology.com

**Tunisia**

please contact WAGO France

**Turkey**

WAGO Elektronik Sanayi ve Ticaret  
Ltd. Şti.  
Yükarı Dudullu Mahallesi Bayraktar  
Bulvarı  
Cad. Hattat Sok. No. 10  
34775 Ümraniye - İstanbul  
Phone +90 216 472 1133  
Fax +90 216 472 9910  
info.tr@wago.com

**Ukraine**

NPP Logicon  
Predslavinskaya street, 39, office 303  
03150 Kiev  
Phone +380 44 5228019  
Fax +380 44 2611803  
info@logicon.ua

**OOO Micropribor**

ul. Kotelnikova, 4  
03115 Kiev  
Phone +380 44 5369386  
Fax +380 44 5369387  
sales@micropribor.kiev.ua

**United Arab Emirates (UAE)**

WAGO Middle East (FZC)  
SAIF Zone, Q4-282  
P.O. Box 120665  
Sharjah, UAE  
Phone +971 6 5579920  
Fax +971 6 5579921  
info.uae@wago.com

**Uruguay**

Fivisa Electricidad  
Avda. Uruguay 1274  
11100 Montevideo  
Phone +59 829 020 808  
Fax +59 829 021 230  
info@fivisa.com.uy

**USA**

WAGO CORPORATION  
N120 W19129 Freistadt Road  
Germantown, WI 53022  
Phone +1 262 255 6222  
Fax +1 262 255 3232  
Toll-Free: 1-800 DIN Rail (346-7245)  
info.us@wago.com

**Venezuela**

PETROBORNAS, C.A.  
C.C. PLAZA AEROPUERTO - PISO 1 -  
LOCAL P1-B-03  
(8015) UNARE - PUERTO ORDAZ -  
ESTADO BOLÍVAR  
REPÚBLICA BOLIVARIANA DE  
VENEZUELA  
Phone +58 286 951 3382  
Fax +58 286 951 3382  
info@petrobornas.com

**Vietnam**

please contact WAGO Germany  
(Minden)



















**WAGO Kontakttechnik GmbH & Co. KG**

Postfach 2880 · D · 32385 Minden  
Hansastraße 27 · D · 32423 Minden  
[info@wago.com](mailto:info@wago.com)  
[www.wago.com](http://www.wago.com)

Headquarters	+49 571 887 - 0
Sales	+49 571 887 - 44222
Order Service	+49 571 887 - 44333
Fax	+49 571 887 - 844169