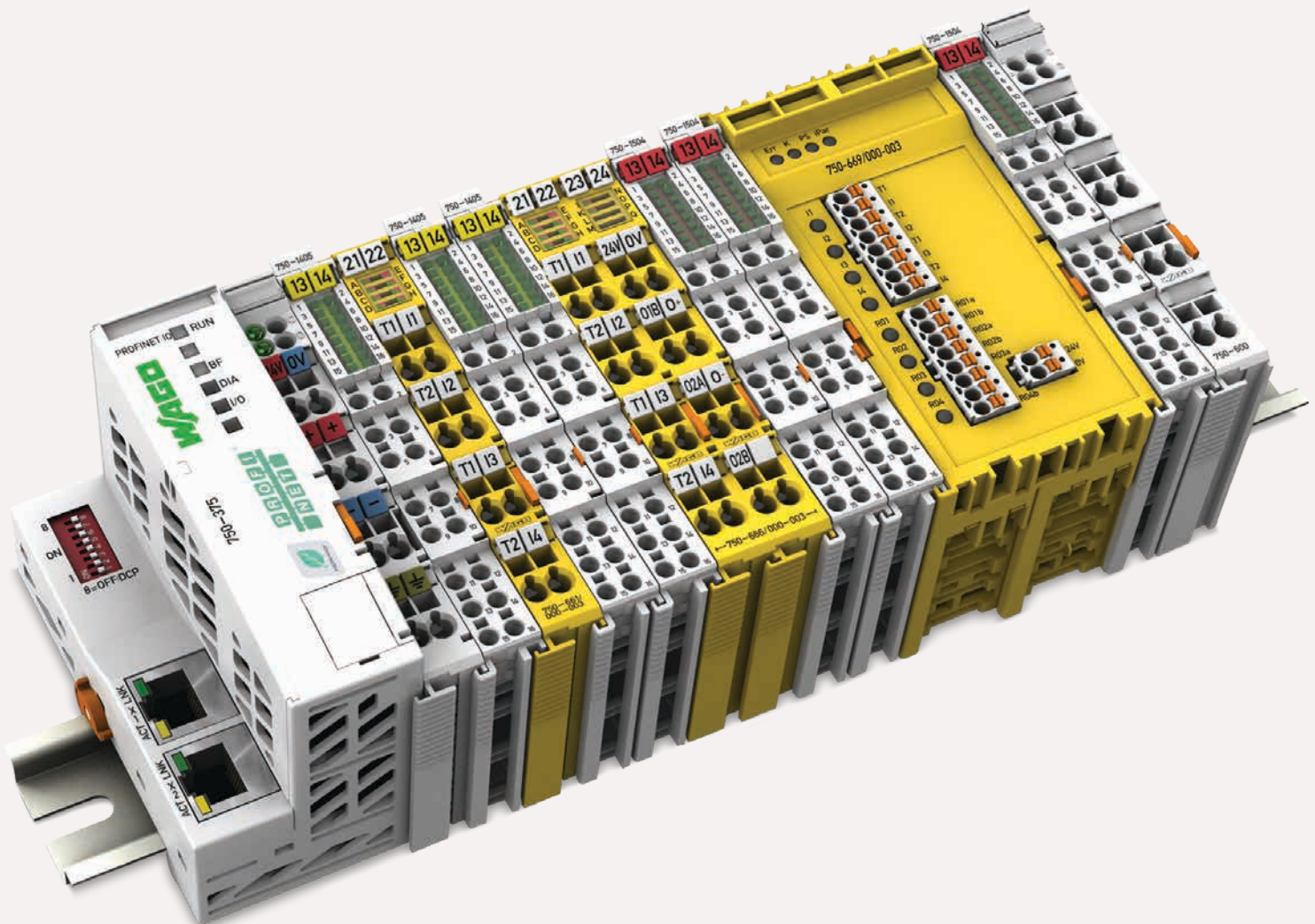


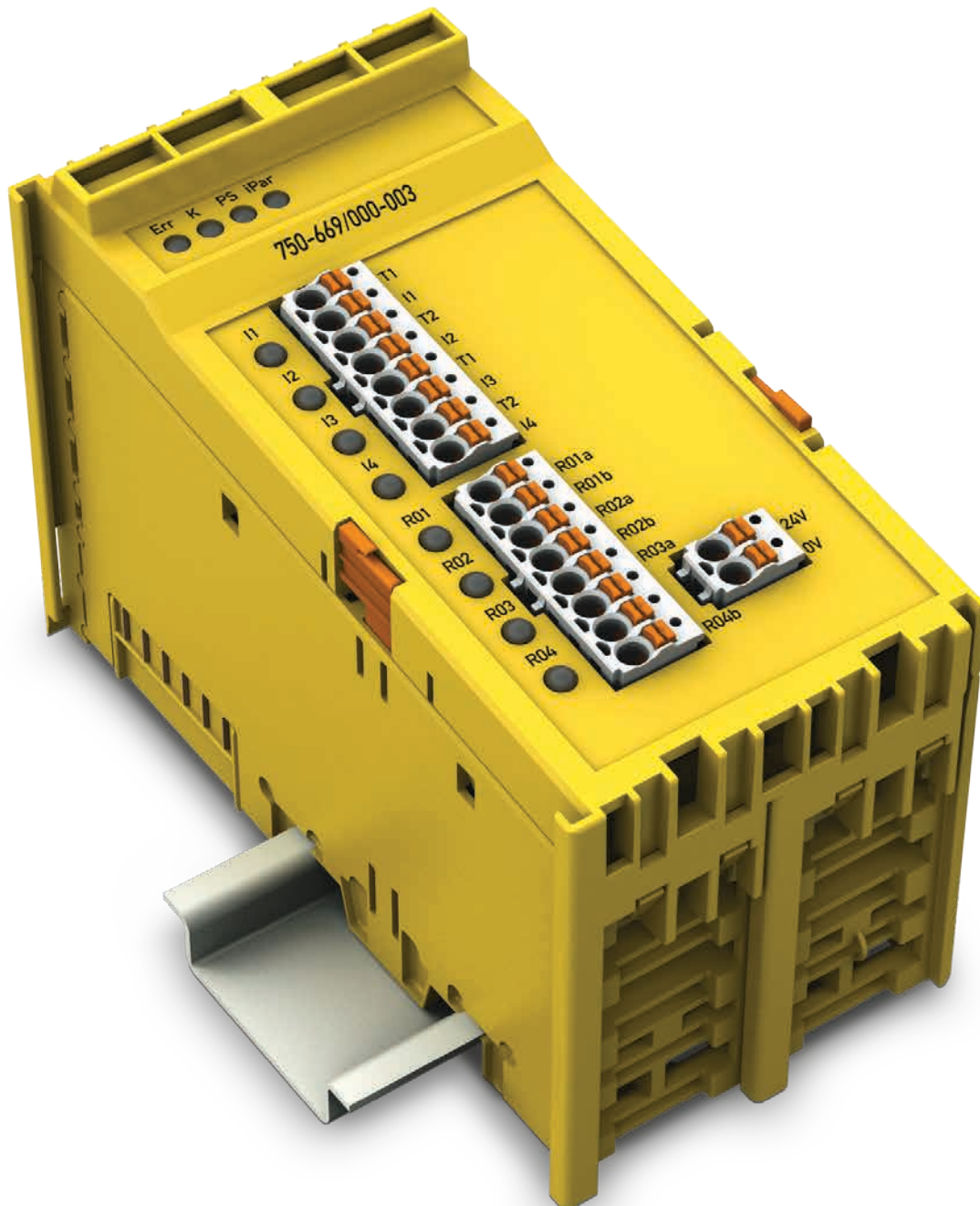
WAGO-I/O-SYSTEM 750

Functional Safety



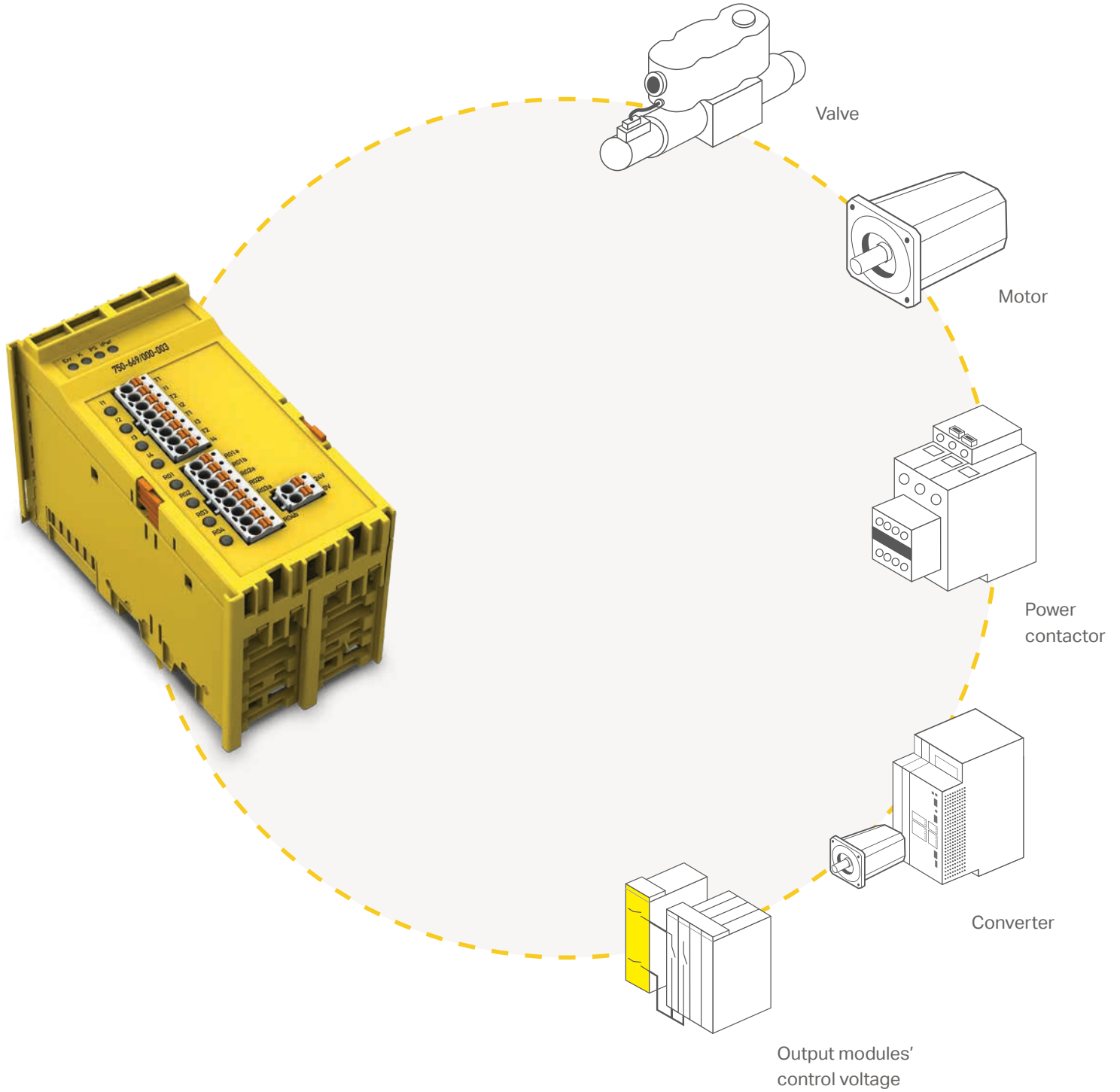
THE WAGO-I/O-SYSTEM 750/753

Fail-Safe 4/4-Channel Digital Input and Relay Output Module PROFIsafe V2 iPar



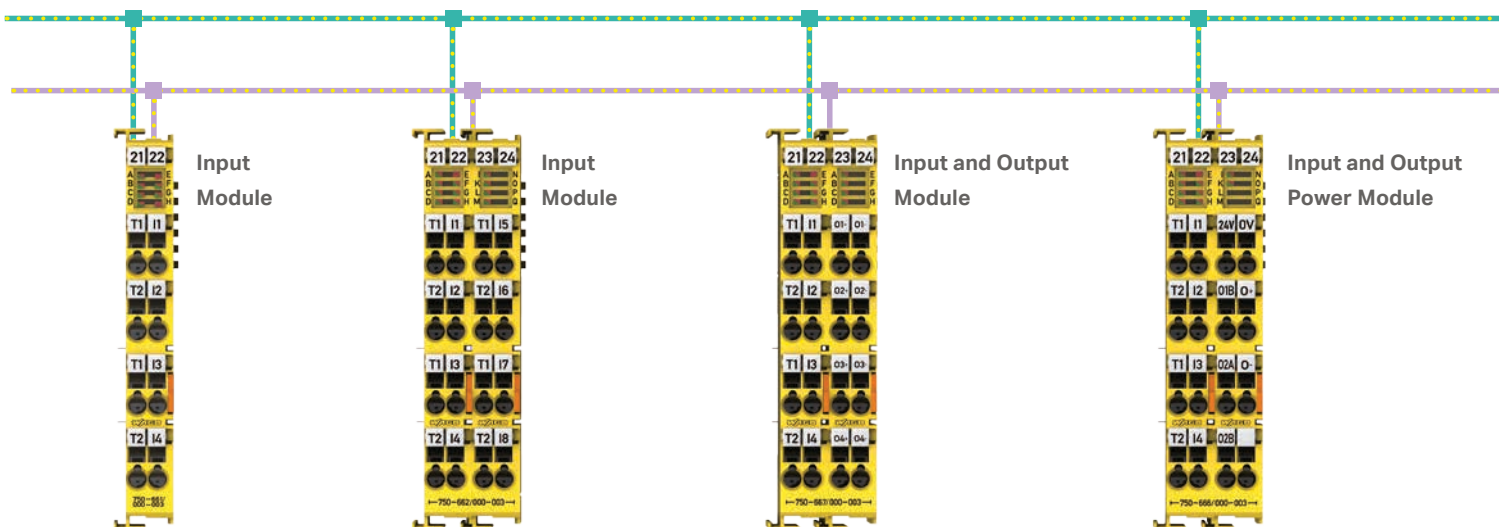
- Integrated feedback inputs for a compact design
- Easy machine coupling thanks to electrical isolation
- Quickly swap devices without specially training maintenance personnel

Flexible Use and Simple Integration





iStock.com/Richard Clark



PROFIsafe
4FDI 24V V2 iPar
750-661/000-003

PROFIsafe
8FDI 24V V2 iPar
750-662/000-003

PROFIsafe
4FDI/4FDO 24V/2A V2 iPar
750-667/000-003

PROFIsafe
4FDI/2FDO 24V/10A V2 iPar
750-666/000-003

FUNCTIONAL SAFETY

Flexible Use

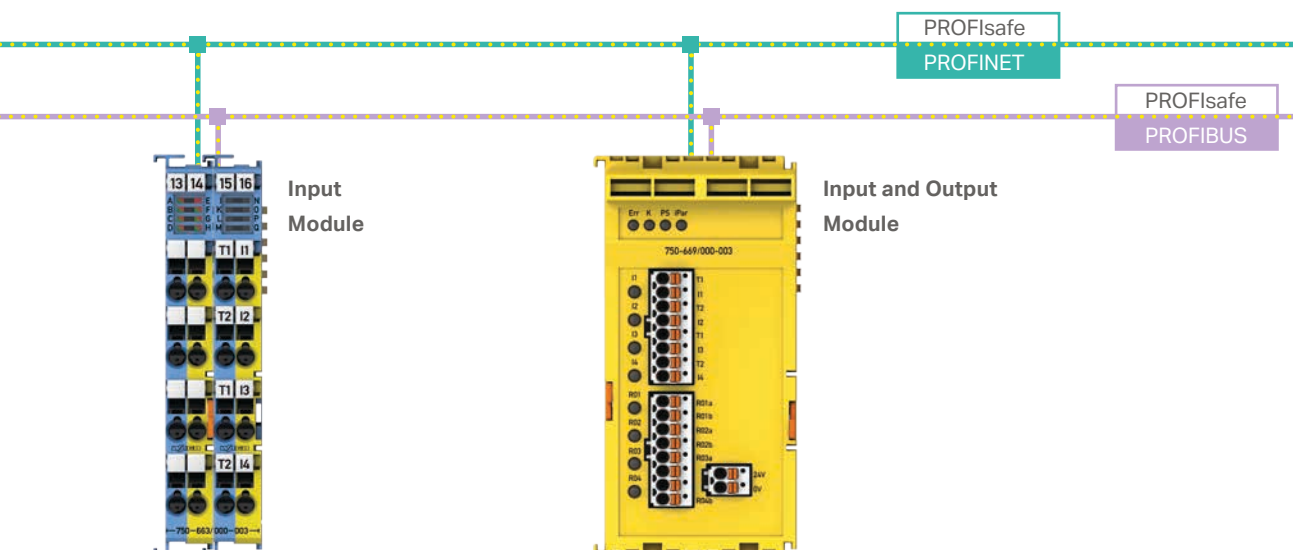
WAGO-I/O-SYSTEM 750/753 with PROFI-safe Functions

Configurable Functions

- Digital input filters (0–200 ms in stages)
- Operating mode:
 - 1-channel
 - 2-channel
- Rotary table and mode selector switches
- Antivalence
- Short circuit monitoring can be switched off
- Restart barrier
- Discrepancy time monitoring (0–255 ms)
- Test pulse length per output channel (0–500 ms in stages)
- Line break detection of outputs can be switched off
- High-side or low-side switching outputs (bipolar or unipolar)

Extensive Diagnostics via LED and Fieldbus

- Channel-related diagnostic messages:
 - Short circuit to ground/overload
 - External voltage/short circuit
 - Discrepancy errors
- Module-related diagnostic messages
 - Overtemperature
 - No external power supply
 - Internal errors
 - Faulty parameter setting



PROFI-safe
4F-Ex i DI 24V V2 iPar
750-663/000-003

PROFI-safe
4FDI/4FRO 48VAC/60VDC/6A V2 iPar
750-669/000-003



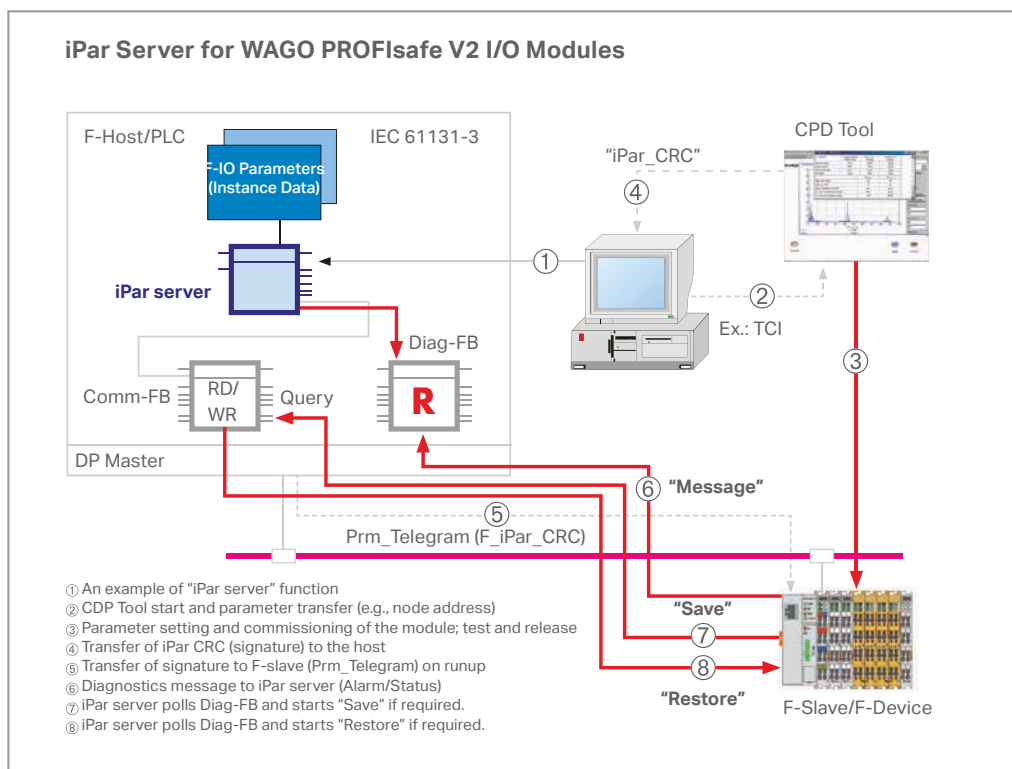


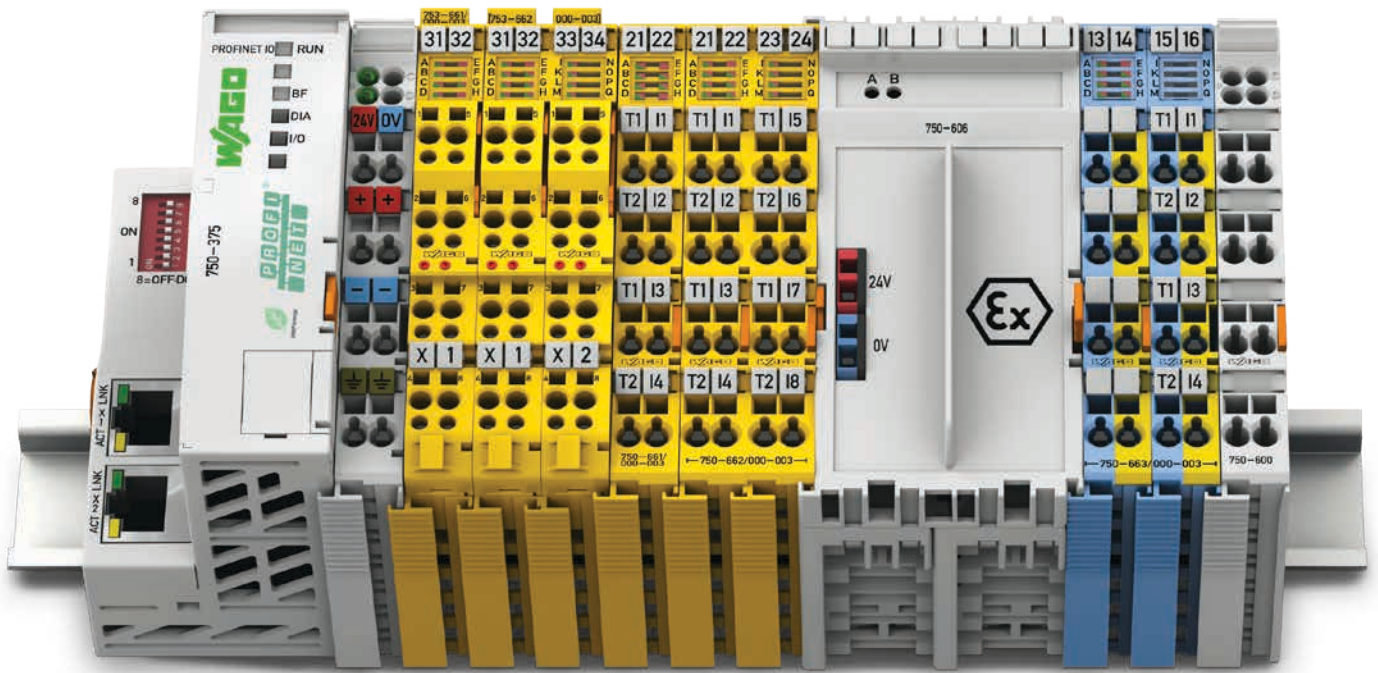
©Stitched Panorama/Fotolia.com

FUNCTIONAL SAFETY

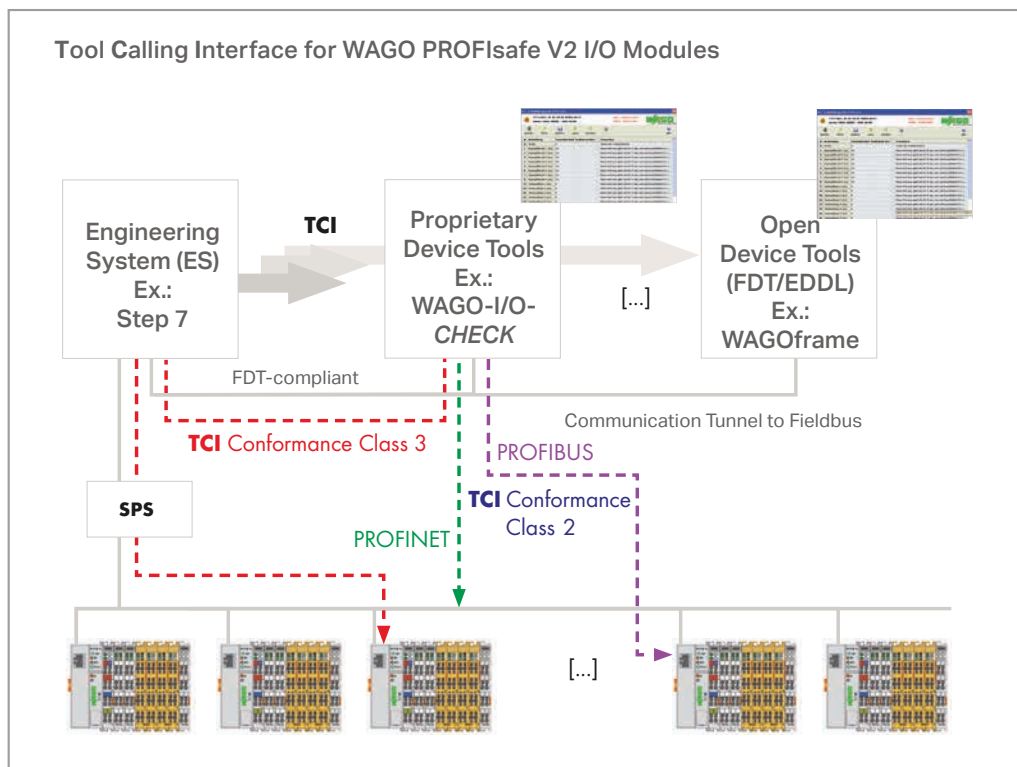
Simple Integration

iPar Server Support





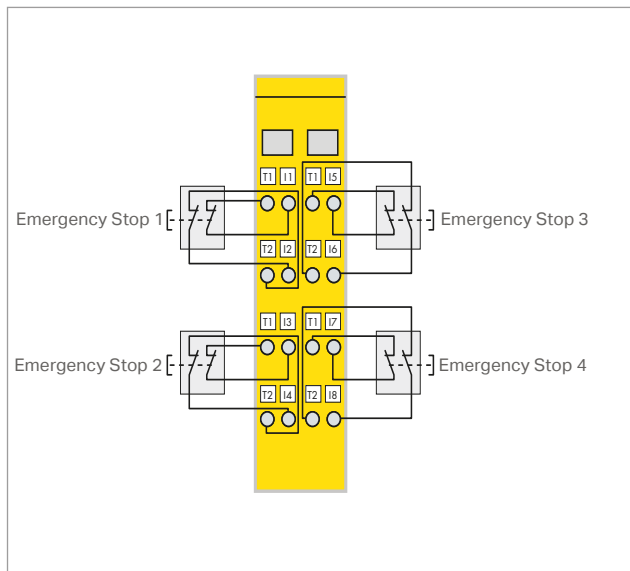
Easy Configuration via TCI (Tool Calling Interface)



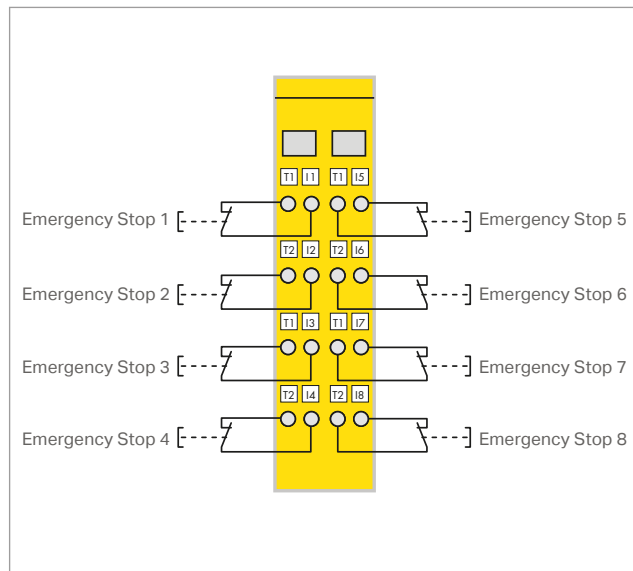
FUNCTIONAL SAFETY

Application Examples

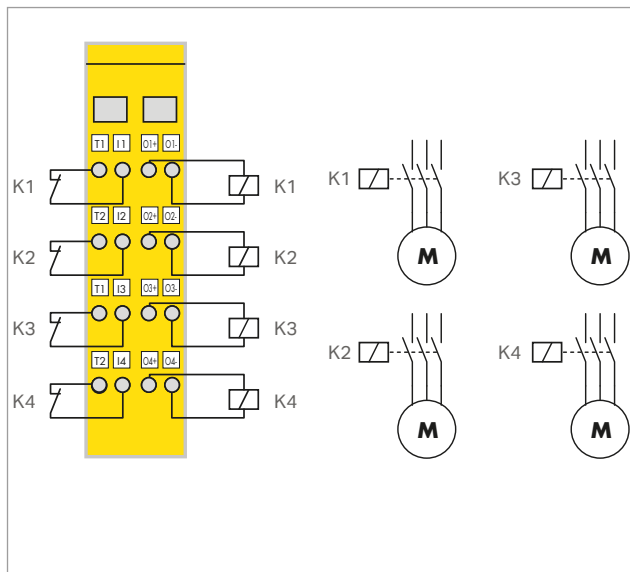
4 x Emergency Stop, 2-Channel, SIL CL 3, PL e, Cat. 4



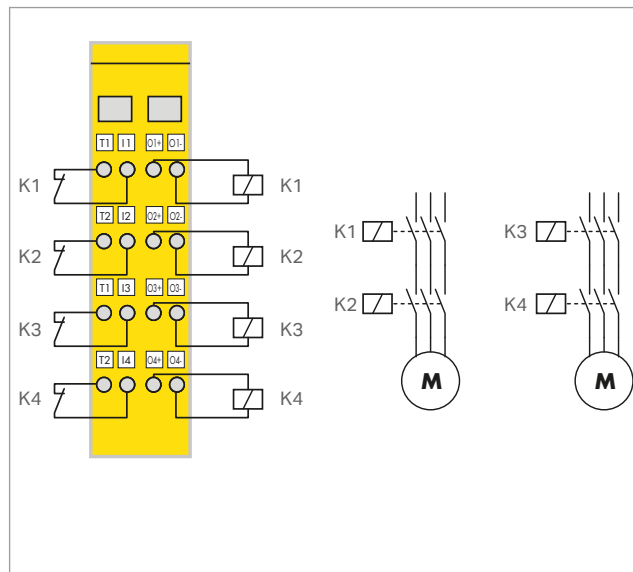
8 x Emergency Stop, 1-Channel, SIL CL 2, PL d, Cat. 2

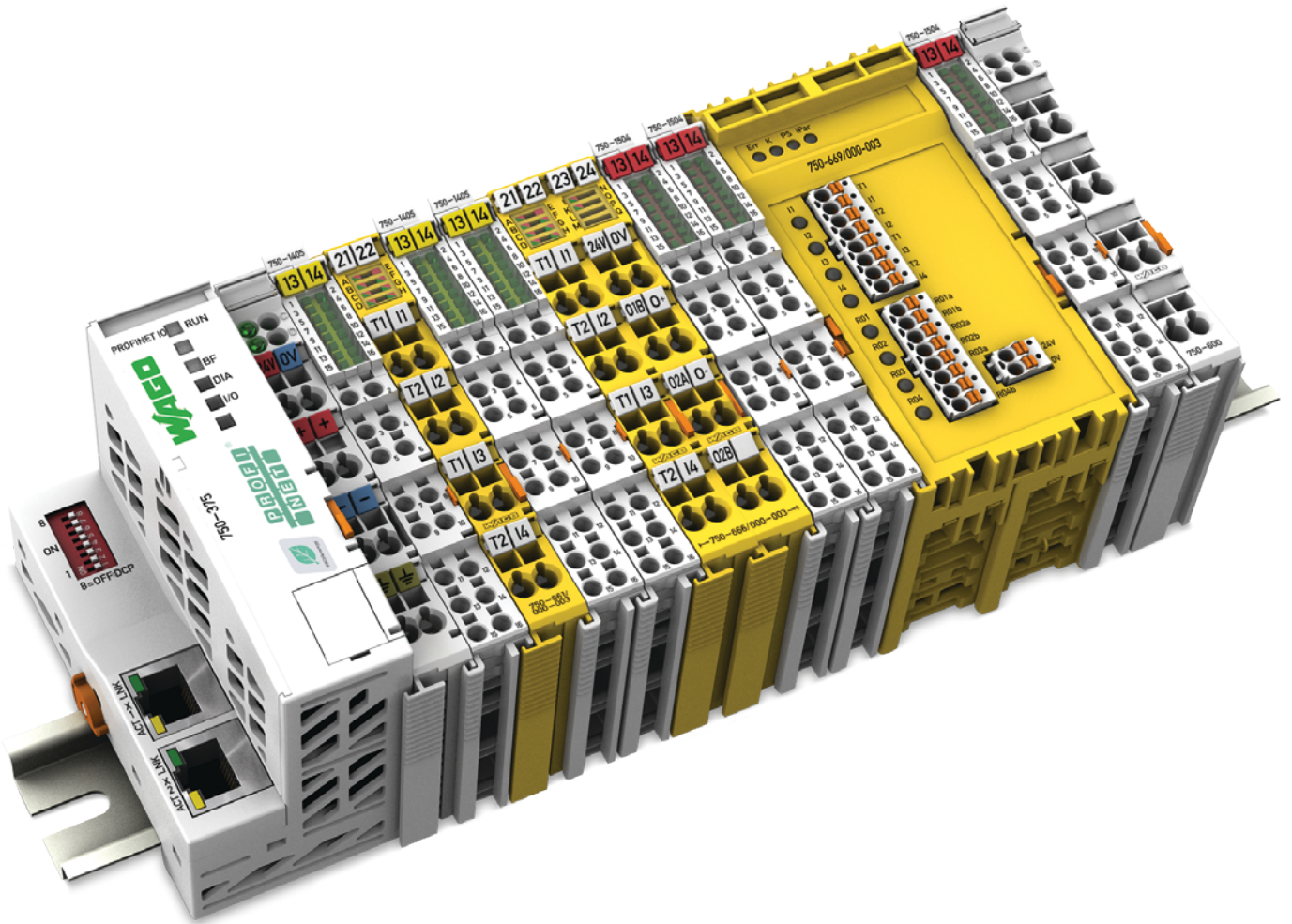


4 x Motor, 1-Channel, with Feedback,
SIL CL 2, PL d, Cat. 2

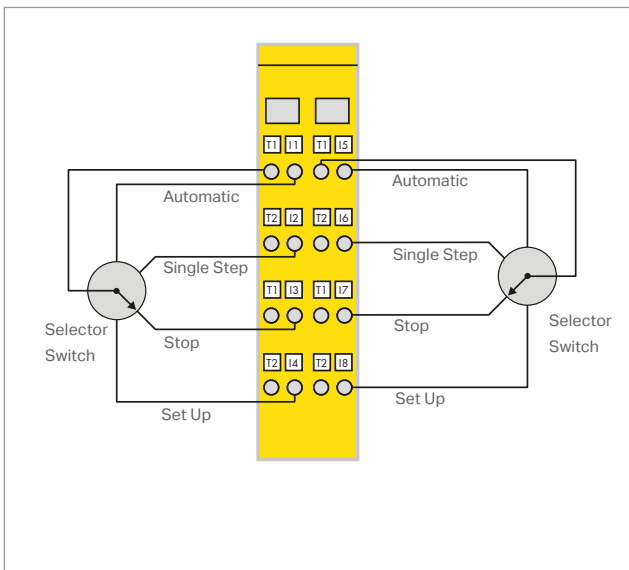


2 x Motor, 2-Channel, with Feedback,
SIL CL 3, PL e, Cat. 4

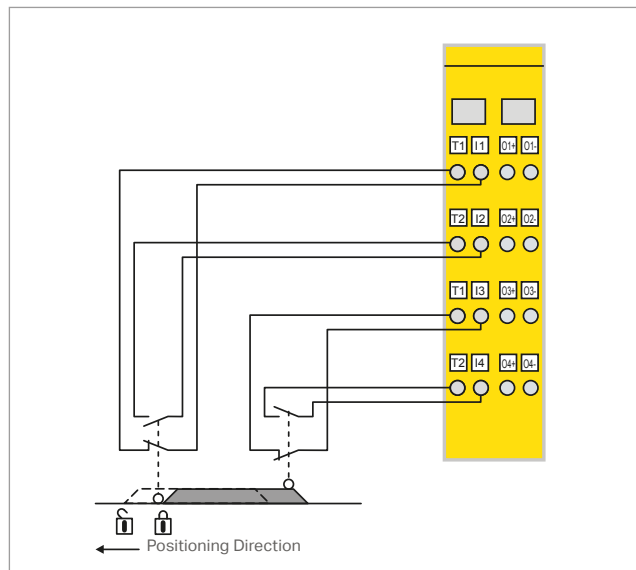




2 x 4-Way Selector Switch, SIL CL 3, PL e, Cat. 4



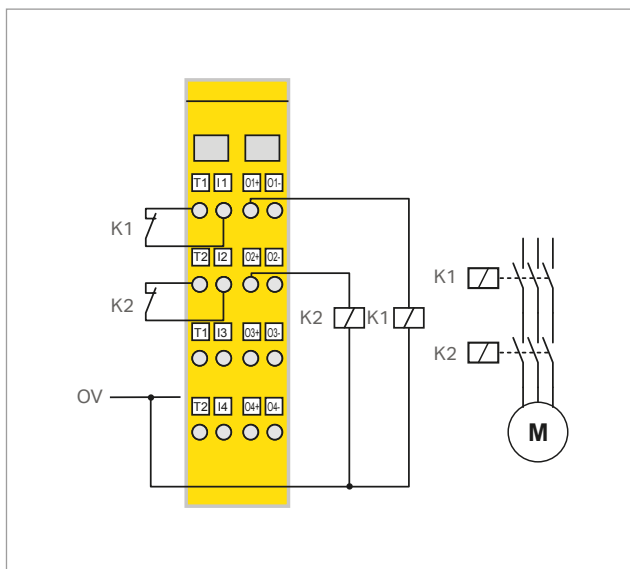
Protective Door Monitoring, SIL CL 3, PL e, Cat. 4



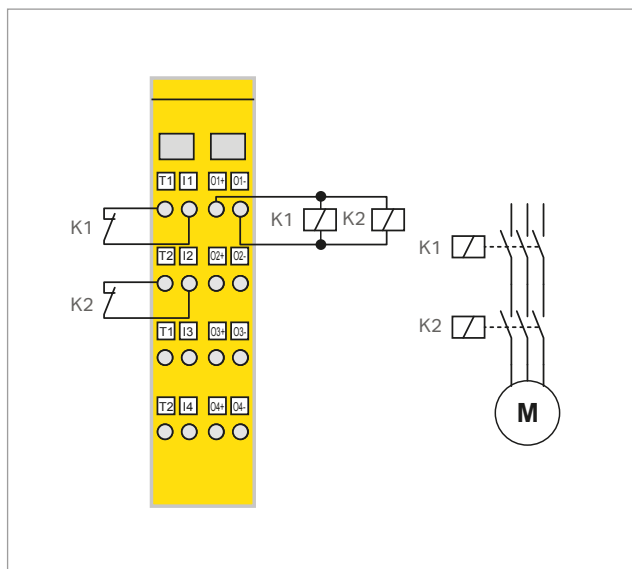
FUNCTIONAL SAFETY

Application Examples

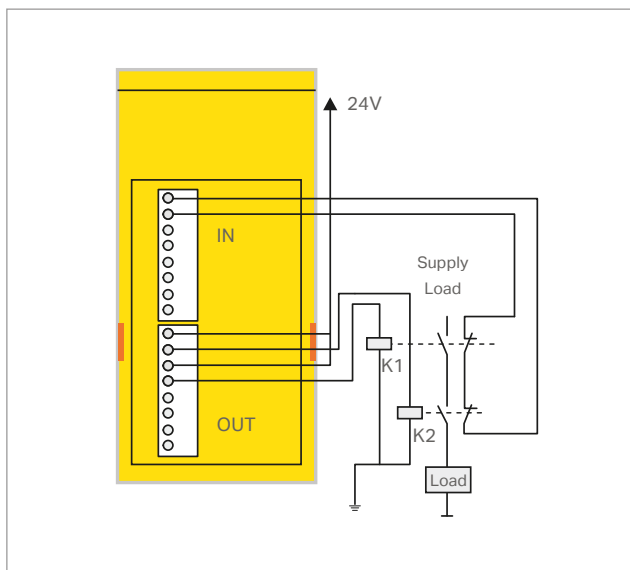
Out1+/Out2+ Loads Connected to 0 V (Ground),
SIL CL 3, PL e, Cat. 4



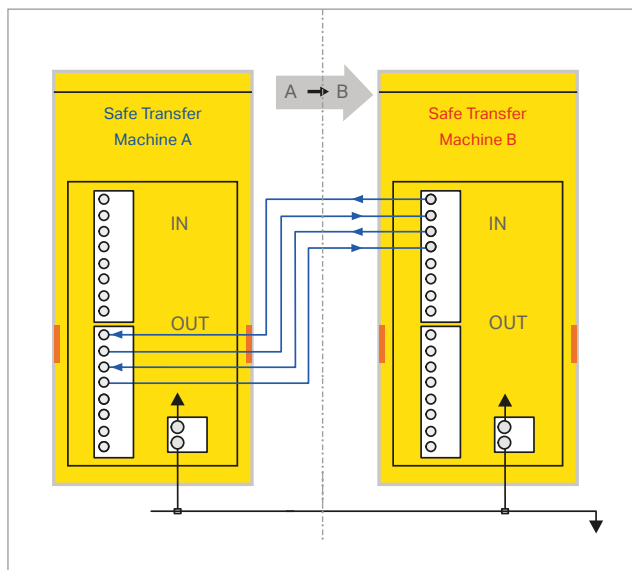
Two Parallel Loads Connected to One Digital Power Output,
SIL CL 3, PL e, Cat. 4



Switching of Large Contactors,
SIL CL 3, PL e, Cat. 4



Sequencing of Safety Areas with Galvanic Isolation,
One Direction A → B, SIL CL 3, PL e Cat. 4



FUNCTIONAL SAFETY

Overview

Item Description

Input Module

4FDI 24V PROFI-safe V2 iPar	SIL 3, PL e, Cat. 4	750-661/000-003
4FDI 24V PROFI-safe V2 iPar	SIL 3, PL e, Cat. 4	753-661/000-003

8FDI 24V PROFI-safe V2 iPar	SIL 3, PL e, Cat. 4	750-662/000-003
8FDI 24V PROFI-safe V2 iPar	SIL 3, PL e, Cat. 4	753-662/000-003

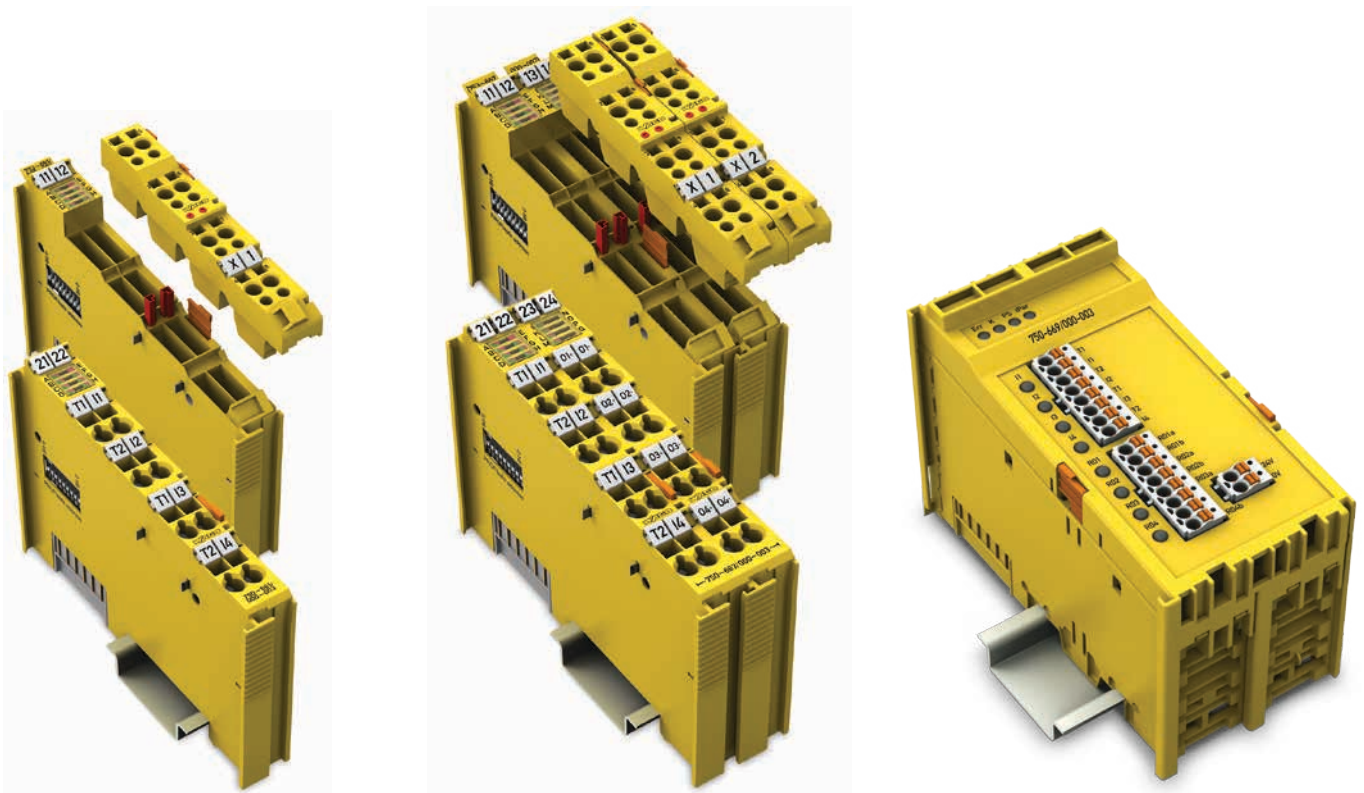
4F-Ex i DI 24V PROFI-safe V2 iPar	SIL 3, PL e, Cat. 4	750-663/000-003
-----------------------------------	---------------------	-----------------

Input and Output Module

4FDI/4FDO 24V/2A PROFI-safe V2 iPar	SIL 3, PL e, Cat. 4	750-667/000-003
4FDI/4FDO 24V/2A PROFI-safe V2 iPar	SIL 3, PL e, Cat. 4	753-667/000-003

4FDI/2FDO 24V/10A PROFI-safe V2 iPar	SIL 3, PL e, Cat. 4	750-666/000-003
4FDI/2FDO 24V/10A PROFI-safe V2 iPar	SIL 3, PL e, Cat. 4	753-666/000-003

4FDI/4FRO 48VAC/60VDC/6A PROFI-safe V2 iPar	SIL 3, PL e, Cat. 4	750-669/000-003
---	---------------------	-----------------



WAGO Kontakttechnik GmbH & Co. KG

Postfach 2880 · 32385 Minden
Hansastraße 27 · 32423 Minden
info@wago.com
www.wago.com

Headquarters	+49 571/ 887 - 0
Sales	+49 571/ 887 - 222
Order Service	+49 571/ 887 - 44 333
Fax	+49 571/ 887 - 844 169

WAGO is a registered trademark of WAGO Verwaltungsgesellschaft mbH.

“Copyright – WAGO Kontakttechnik GmbH & Co. KG – All rights reserved. The content and structure of the WAGO websites, catalogs, videos, and other WAGO media are subject to copyright. Distribution or modification to the contents of these pages and videos is prohibited. Furthermore, the content may neither be copied nor made available to third parties for commercial purposes. Also subject to copyright are the images and videos that were made available to WAGO Kontakttechnik GmbH & Co. KG by third parties.”