

P300 Proxswitch

BETTER BY DESIGN

P300 Proxswitch Inductive Proximity Sensor

APPLICATION

The P300 Proxswitch is an inductive sensor designed to detect shaft speed, shaft position, gate position, or object presence.

METHOD OF OPERATION

The P300 Proxswitch is a limit switch style proximity sensor, which works on the damped oscillator principle. No contact is made between the sensor and the object being monitored. The P300 will detect a ferrous object at a maximum distance of 15/32" (12 mm).

Three different sensor outputs are available -

1. P3001V10AI with normally closed output. Best used for shaft position, gate position or object presence.
2. P3002V10AI with normally open output. Best used for shaft position, gate position or object presence.
3. P300V34AI with NPN/PNP transistor output. Best used for speed monitoring.

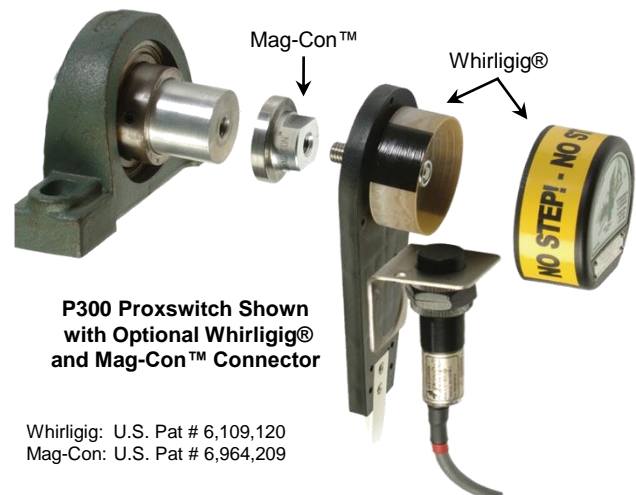
All units are fully encapsulated, come with a 16 foot cable lead and include an LED to indicated target detection.

FEATURES

- ▶ No Contact Monitoring
- ▶ Totally Sealed Construction
- ▶ 15/32" (12 mm) Detection Range - Ferrous Target
- ▶ IP 65 Protection
- ▶ Easy Installation with Whirligig® Sensor Mount

PART NUMBERS/ACCESSORIES

- ▶ P3001V10AI Proxswitch (Normally Closed Output)
- ▶ P3002V10AI Proxswitch (Normally Open Output)
- ▶ P300V34AI Proxswitch (NPN/PNP Transistor)
- ▶ A34NPT 3/4" NPT Conduit Adapter
- ▶ CDL1 2 Wire Load Device (110 VAC)
- ▶ CDL4 2 Wire Load Device (24 VDC)
- ▶ WG1-4B-4 Whirligig® Shaft Sensor Mount
- ▶ MAG2000 Mag-Con™ Magnetic Connector



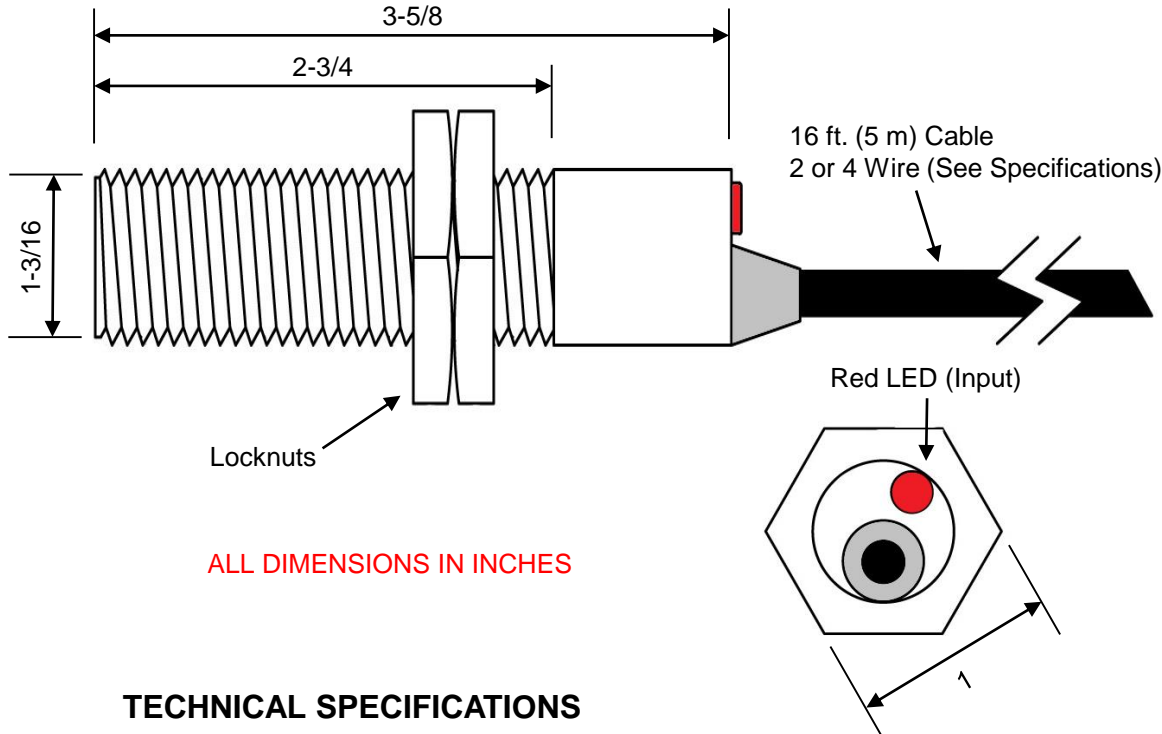
P300 Proxswitch Shown
with Optional Whirligig®
and Mag-Con™ Connector

Whirligig: U.S. Pat # 6,109,120
Mag-Con: U.S. Pat # 6,964,209

P300 Proxswitch

BETTER BY DESIGN

DIMENSIONS



Sensor Installed on Whirligig®
Shaft Sensor Mount

TECHNICAL SPECIFICATIONS

P300 Proxswitch - Inductive Proximity Sensor

	P3001V10A	P3002V10A	P300V34A
Applications -	Position & Object Monitoring		Speed Monitoring
Supply Voltage -	24 to 240 VAC / VDC		10 to 30 VDC
Output -	Triac		NPN/PNP Transistor
Switching Capacity -	200 mA Max.		30 VDC 100 mA. Max.
Output State -	Output Energized (On) with No Target	Output De-Energized (Off) with No Target	Selected by Supply Polarity Connection
Max Input Speed -	100 Hz		200 Hz
LED Indication -	Red (Input) = Target Sensed		
Operating Temp. -	5° F (-15° C) to 122° F (50° C)		
Minimum Current -	1 mA		
Sensitivity -	Ferrous Target - 15/32 Inch (12 mm) Maximum		
Enclosure -	Nylon - ISO Threaded 30 mm by 1.5 mm Pitch		
Cable Length -	16 ft. (5 m) - 2 Core		16 ft. (5 m) - 4 Core
Protection -	IP65		
Approvals -	ATEX - EXII 1D T100°C		