

Dual SATA Mass Storage Double-Width AdvancedMC™ Module



APPLICATIONS

The AM 600/20x is a double-width full-height (or mid-height) AdvancedMC™ mass storage module. The module supports up to two SATA hard disk drives or two CompactFlash® drives. The AM 600/20x is designed in compliance to AMC.0 and AMC.3 Type S2 (2x SATA on Ports 2 and 3). The AM 600/20x is compatible with Concurrent Technologies AMC processor modules and

supports full hot swap and IPMI capabilities. The AM 600/20x is designed for use in AdvancedTCA® or MicroTCA™ applications in the telecommunications, scientific, and defense markets. Application examples include mass storage data servers, database management, or local system storage.

HIGHLIGHTS

- Double-width, full-height (or mid-height) Advanced Mezzanine Card mass storage module:
 - compliant to AMC.0 AdvancedMC™ base specification
- Support for one or two SATA 2.5 inch hard drives:
 - compliant to AMC.3 AdvancedMC specification for storage
 - 2 x SATA connections on Ports 2 & 3
 - option to support two CompactFlash™ drives or Hitachi GST Microdrive™
- Compatible with RAID 0 and RAID 1 systems:
 - higher RAID number systems can be supported with multiple boards
 - RAID operation is system dependent
- IPMI management support with E-Keying
- Compatible with Concurrent Technologies' AMC processor boards
- Extended temperature versions available:
 - CompactFlash version only
 - -25°C to +70°C (E-Series)
 - -40°C to +85°C (K-Series)
- Single-width version available:
 - see separate AM 600/10x datasheet
- Supported operating systems depend on the AMC processor board used

Mass Storage

- Serial ATA150:-
 - AMC.3 Type S2
 - transfer rate up to 150 Mbytes/s
 - 2 x SATA connections on Ports 2 & 3
- compatible with Raid 0 and Raid 1 systems
 - complex Raid systems can be supported with multiple boards
- supports 2 x SATA Hard Disks or 2 x CompactFlash™/Hitachi GST Microdrives™:-
 - 2 x 2.5" SATA drive bays
 - sales option converts Serial ATA to Parallel ATA for CompactFlash/Microdrive operation

Compatible AMC Processor Boards

- designed to interface to:-
 - AM 110/10x - Intel® Core™ 2 Duo
 - AM 100/20x - Dual-Core Intel® Xeon®
 - PR AMC/33x - Intel® Pentium® M

IPMI

- IPMI Version 1.5 according to AMC.0
- on-board MMC (Module Management Controller)
- supports 8 Kbytes of non-volatile memory
- IPMI management support with E-Keying.

Software Support

- compatible with all major operating systems

Electrical Specification

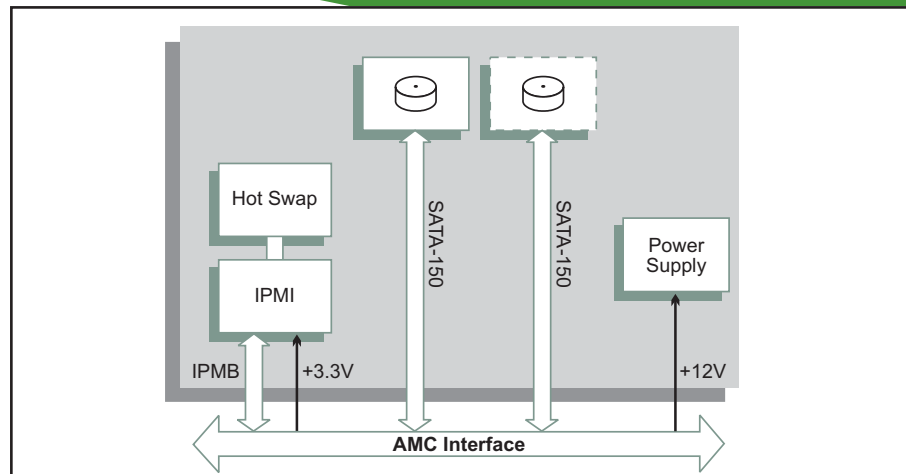
- +3.3V@0.1A; ±5%
- +12V@0.5A; ±2V (typical, both drives active)
- all current specifications dependent on hard disk drives fitted

Environmental Specification (Hard Disk Version)

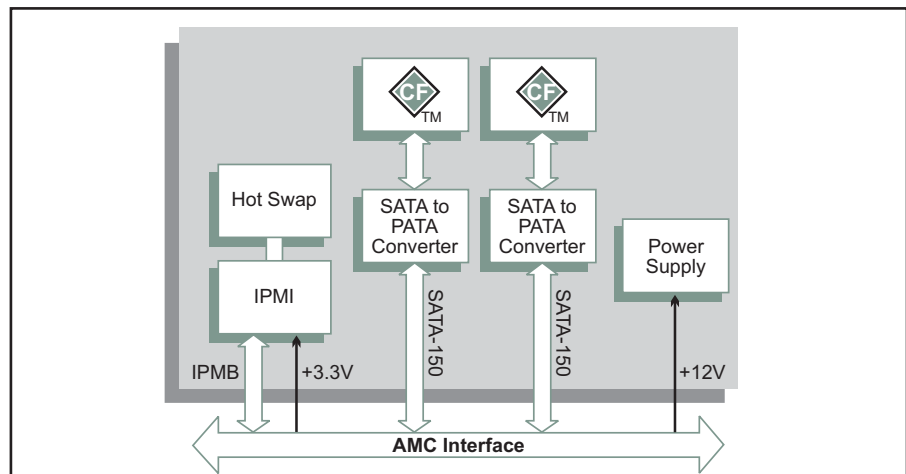
- all specifications dependent on hard disk drive
- +5°C to +55°C (operating)
- 10% to 80% Relative Humidity, non condensing (operating)
- 25°C to +65°C (storage)
- 10% to 90% Relative Humidity, non condensing (storage)
- operating change rate <10°C/ hour
- storage temperature change rate <20°C/ hour

Environmental Specification (Compact Flash Version)

- operating temperatures:-
 - 0°C to +55°C (N-Series)
 - -25°C to +70°C (E-Series)
 - -40°C to +85°C (K-Series)
- 10% to 90% Relative Humidity, non condensing (operating):-
 - K-Series includes humidity sealant
- 40°C to +85°C (storage)
- 10% to 90% Relative Humidity, non condensing (storage)



AM 600/202 with dual SATA drives



AM 600/202 with dual CompactFlash drives

Mechanical Specification

- compliant with AMC.0 Advanced Mezzanine Card Base Specification:-
 - double-width module: 7.1 inches x 5.8 inches (181mm x 148mm)
- options for panel height:-
 - full height panel: 1.1 inches (29mm)
 - mid-height panel: 0.7 inches (19mm)
- also available as a single width board:-
 - see separate AM 600/10x datasheet

ORDERING INFORMATION

Order Number Product Description (Hardware)

AM 600/201-1y	1 SATA Hard Disk Drive kit, double-width full-height Mass Storage AMC Module
AM 600/202-1y	2 SATA Hard Disk Drive kits, double-width full-height Mass Storage AMC Module
AM 600/202-49	2 CompactFlash/Microdrive sockets, double-width full-height Mass Storage AMC Module
AM 600/401-1y	1 SATA Hard Disk Drive kit, double-width mid-height Mass Storage AMC Module
AM 600/402-1y	2 SATA Hard Disk Drive kits, double-width mid-height Mass Storage AMC Module
AM 600/402-49	2 CompactFlash/Microdrive sockets, double-width mid-height Mass Storage AMC Module

Replace the order number suffix (y) with selections from the following:
where y = Hard Disk Drive fitted

- 0 - typical capacity HDD
- 5 - larger capacity HDD
- 7 - HDD mounting kit only

For extended temperature, E or K-Series with CompactFlash, please contact your local sales office