

## MLRF19M, MLRF22M, MLRF24M

Wirewound, Molded, MIL-PRF-15305



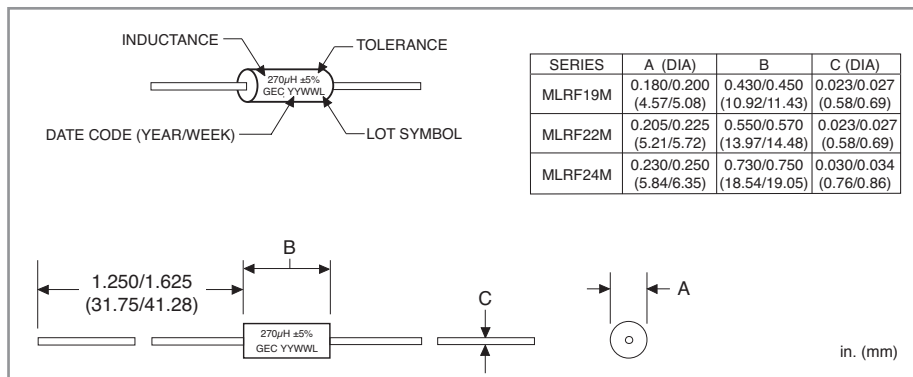
MS90539 Powdered Iron Core, MS90540 Powdered Iron Core, MS90541 Powdered Iron Core



PART NUMBER	MIL PART NUMBER	L $\mu$ H	Q MIN	TEST FREQ L&Q MHz	SRF MHz MIN	DCR OHMS MAX	CURRENT RATING mA DC
MS90539 - POWDERED IRON CORE							
MLRF19M273J	MS90539-01	270	65	0.79	5.60	8.2	110
MLRF19M303J	MS90539-02	300	65	0.79	5.30	8.7	107
MLRF19M333J	MS90539-03	330	65	0.79	5.00	9.1	105
MLRF19M363J	MS90539-04	360	65	0.79	4.70	9.6	102
MLRF19M393J	MS90539-05	390	65	0.79	4.50	10.0	100
MLRF19M433J	MS90539-06	430	65	0.79	4.30	10.6	97
MLRF19M473J	MS90539-07	470	65	0.79	4.00	11.1	95
MLRF19M513J	MS90539-08	510	65	0.79	3.80	11.6	93
MLRF19M563J	MS90539-09	560	65	0.79	3.60	12.3	91
MLRF19M623J	MS90539-10	620	60	0.79	3.50	13.0	88
MLRF19M683J	MS90539-11	680	60	0.79	3.40	13.7	85
MLRF19M753J	MS90539-12	750	60	0.79	3.30	14.4	83
MLRF19M823J	MS90539-13	820	60	0.79	3.10	15.1	81
MLRF19M913J	MS90539-14	910	60	0.79	2.90	15.8	79
MLRF19M104J	MS90539-15	1000	60	0.79	2.24	16.5	78
MS90540 - POWDERED IRON CORE							
MLRF22M114J	MS90540-14	1100	60	0.25	2.80	21.0	78
MLRF22M124J	MS90540-15	1200	60	0.25	2.70	22.0	76
MLRF22M134J	MS90540-16	1300	60	0.25	2.60	23.0	75
MLRF22M154J	MS90540-17	1500	65	0.25	2.40	25.0	72
MLRF22M164J	MS90540-18	1600	65	0.25	2.30	26.0	70
MLRF22M184J	MS90540-19	1800	65	0.25	2.20	28.0	68
MLRF22M204J	MS90540-20	2000	65	0.25	2.10	29.0	67
MLRF22M224J	MS90540-21	2200	70	0.25	2.00	30.0	66
MLRF22M244J	MS90540-22	2400	70	0.25	1.90	31.0	64
MLRF22M274J	MS90540-23	2700	70	0.25	1.80	33.0	62
MLRF22M304J	MS90540-24	3000	70	0.25	1.70	35.0	61
MLRF22M334J	MS90540-25	3300	70	0.25	1.60	38.0	58
MLRF22M364J	MS90540-26	3600	70	0.25	1.50	40.0	57

Suffix "J" for 5% tolerance

continued next page



### NOTES:

- Operating Temperature Range:  
-55°C to +105°C
- Temperature Class:  
Class A (105°C)
- Current Rating is based on a 15°C temperature rise at an ambient temperature of 90°C
- Weight maximum:  
0.95 grams (0.0335 ounces) for MS90539  
1.5 grams (0.0529 ounces) for MS90540  
2.5 grams (0.0882 ounces) for MS90541
- DWV 700 Vrms @ Sea Level  
180 Vrms @ 70,000 Feet

TAPE AND REEL SPECS: (see page two)

continued from previous page

## MLRF19M, MLRF22M, MLRF24M

### Wirewound, Molded, MIL-PRF-15305



MS90539 Powdered Iron Core, MS90540 Powdered Iron Core, MS90541 Powdered Iron Core



PART NUMBER	MIL PART NUMBER	L $\mu$ H	Q MIN	TEST FREQ L&Q MHz	SRF MHz MIN	DCR OHMS MAX	CURRENT RATING mA DC
MS90541 - POWDERED IRON CORE							
MLRF24M394J	MS90541-01	3900	80	0.25	1.45	44.0	61
MLRF24M434J	MS90541-02	4300	80	0.25	1.40	46.0	59
MLRF24M474J	MS90541-03	4700	80	0.25	1.35	48.0	58
MLRF24M504J	MS90541-04	5000	80	0.25	1.30	50.0	57
MLRF24M564J	MS90541-05	5600	80	0.25	1.25	53.0	56
MLRF24M624J	MS90541-06	6200	80	0.25	1.20	56.0	54
MLRF24M684J	MS90541-07	6800	80	0.25	1.15	59.0	52
MLRF24M754J	MS90541-08	7500	80	0.25	1.10	62.0	51
MLRF24M824J	MS90541-09	8200	80	0.25	1.05	65.0	50
MLRF24M914J	MS90541-10	9100	80	0.25	1.00	68.0	49
MLRF24M105J	MS90541-11	10000	80	0.25	0.95	72.0	47

Suffix "J" for 5% tolerance

#### NOTES:

- Operating Temperature Range: -55°C to +105°C
- Temperature Class: Class A (105°C)
- Current Rating is based on a 15°C temperature rise at an ambient temperature of 90°C
- Weight maximum:
  - 0.95 grams (0.0335 ounces) for MS90539
  - 1.5 grams (0.0529 ounces) for MS90540
  - 2.5 grams (0.0882 ounces) for MS90541
- DWV 700 Vrms @ Sea Level  
180 Vrms @ 70,000 Feet

#### TAPE AND REEL SPECS - MLRF19M Series:

Pcs./Reel maximum:	2000
Pitch between parts:	0.200 in.
Tape width:	2.062 in.
Reel diameter:	12 in.

#### TAPE AND REEL SPECS - MLRF22M Series:

Pcs./Reel maximum:	1000
Pitch between parts:	0.400 in.
Tape width:	2.500 in.
Reel diameter:	12 in.

#### TAPE AND REEL SPECS - MLRF24M Series:

Pcs./Reel maximum:	1000
Pitch between parts:	0.400 in.
Tape width:	2.500 in.
Reel diameter:	12 in.

