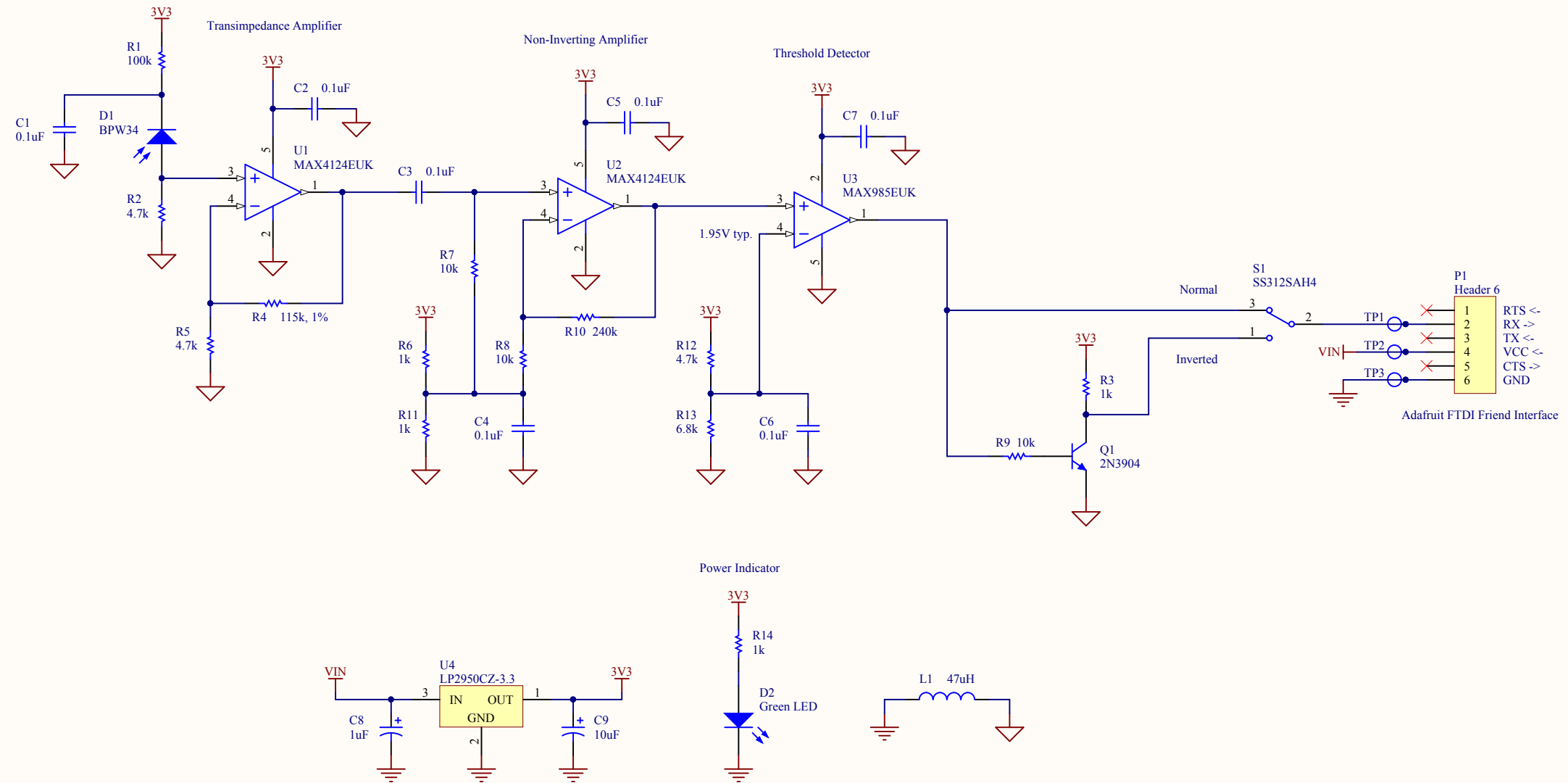


Place target LED directly onto sensor
Peak wavelength sensitivity @ 900nm



NOTE: RESISTORS ARE IN OHMS +/- 5% AND CAPACITORS ARE IN MICROFARADS UNLESS OTHERWISE NOTED. SEE BOM FOR ACTUAL VOLTAGE AND SPECIFICATION.



Based on Maxim Integrated's AN1117: Small Photodiode Receiver Handles Fiber-Optic Data Rates to 800kbps (July 2001)

Distributed under a Creative Commons Attribution 3.0 US license

TITLE					
Optical Receiver (Analog)					
DATE	FILENAME	SIZE	DRAWN BY	REV	
10/13/2016		B	Joe Grand	SHT 1 OF 1	A