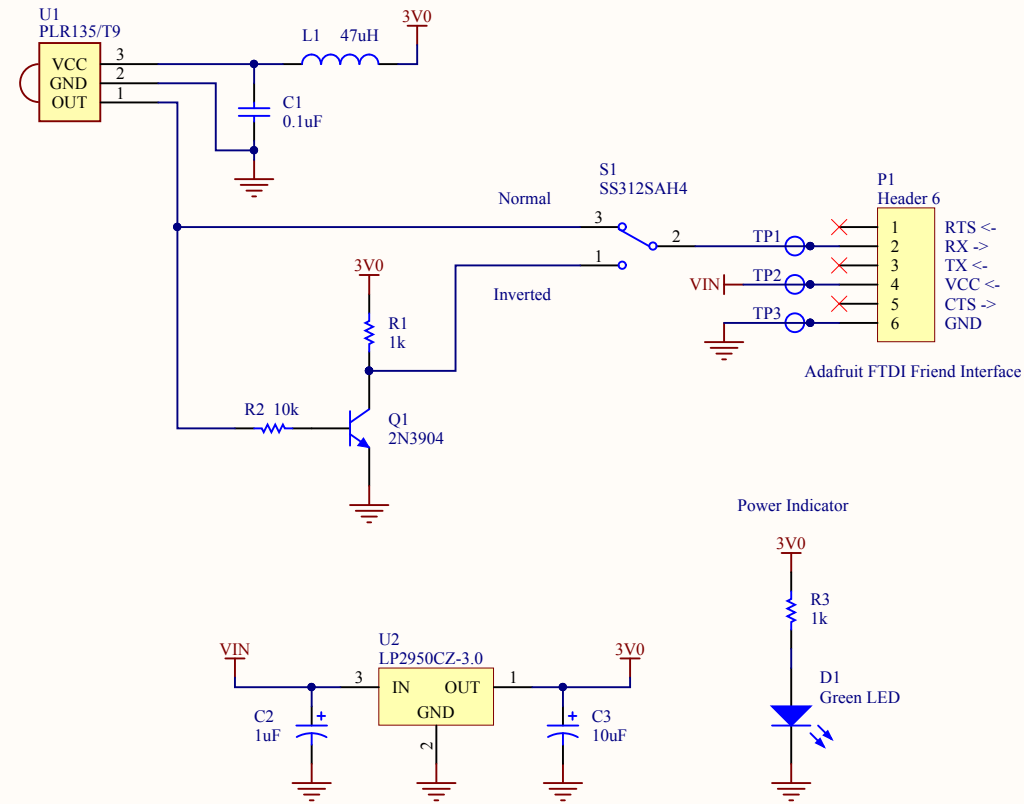


Insert target LED directly into sensor
 or use TOSLINK (JIS F05) fiber optic cable
 Peak wavelength sensitivity @ 650nm



NOTE: RESISTORS ARE IN OHMS +/- 5% AND CAPACITORS ARE IN MICROFARADS UNLESS OTHERWISE NOTED. SEE BOM FOR ACTUAL VOLTAGE AND SPECIFICATION.



TITLE
 Optical Receiver (Digital)

| DATE | FILENAME | SIZE | DRAWN BY | REV |
|-----------|----------|------|-----------|-----|
| 9/30/2016 | | B | Joe Grand | A |