



ZT560 Series TCXO  
20.0kHz – 30.0 MHz  
(Rev B)

GREENRAY INDUSTRIES, INC.

PRECISION QUARTZ TECHNOLOGY

Wide Operating Temp  
Tight Stability/Low Noise

SPECIFICATIONS

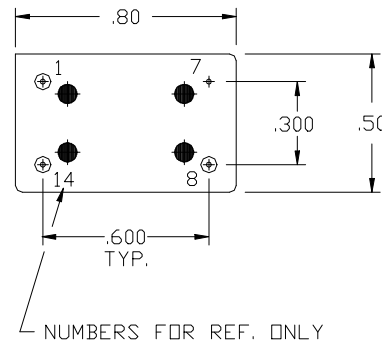
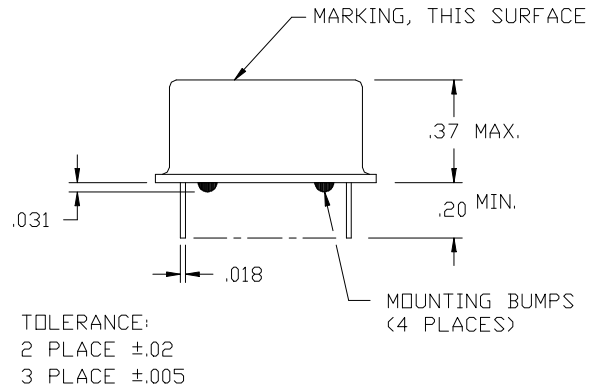
<b>Frequency</b>	20.0 kHz to 30.0 MHz		
<b>Output</b>	HCMOS		
<b>Symmetry</b>	50% ±10%		
<b>Temp Stability</b>	<b>Temp Range</b>	<b>Tolerance</b>	<b>Option</b>
	0 to +70°C	±1x10 <sup>-6</sup>	K16
	-20 to +70°C	±2.5x10 <sup>-6</sup>	N256
	-40 to +85°C	±3x10 <sup>-6</sup>	T36
	-55 to +125°C	±5x10 <sup>-6</sup>	X56
<b>Aging</b>	±2x10 <sup>-9</sup> per day after 30 days (10MHz typ)		
<b>Input V</b>	+5.0VDC ±5%		
<b>Phase Noise</b>	10Hz	-90dBc/Hz	
(typ @ 10MHz)	100Hz	-120dBc/Hz	
	1kHz	-140dBc/Hz	
	10kHz	-150dBc/Hz	
	100kHz	-152dBc/Hz	
<b>Frequency Adjust</b>	±5.0ppM typ, negative slope 0 to +5V EFC		

Ordering Example:

ZT560-T36-10.0 MHz  
(Model-Stability-Frequency)

**Pin Connections:**

- 1 - EFC
- 7 - 0V/Case Gnd
- 8 - Output
- 14 - Supply V



To inquire about available custom parameters, please contact us at [sales@greenrayindustries.com](mailto:sales@greenrayindustries.com).

840 West Church Rd., Mechanicsburg, PA 17055  
Tel: 717-766-0223 Fax: 717-790-9509

[www.greenrayindustries.com](http://www.greenrayindustries.com) email: [sales@greenrayindustries.com](mailto:sales@greenrayindustries.com)