



LIGHTING SYSTEMS CATALOG

LED Interior & Exterior | Trailer Kits | Power Cords | Emergency | Wire Harness | Off Road



4 IN 1 S/T/T

with Integrated Back-up Light Page 55

Grote
www.grote.com

Grote: A Worldwide Leader in Vehicle Lighting and Safety Systems

ECHOING OUR GROWING PROPORTION OF INTERNATIONAL BUSINESS, GROTE HAS TRANSITIONED FROM A NORTH AMERICAN-BASED INTERNATIONAL TO A TRUE MULTI-NATIONAL ORGANIZATION.

Grote's Madison, Indiana facility is our international headquarters, where a large proportion of our strategic lighting development and manufacturing takes place. We are transitioning our non-U.S. facilities to true strategic design and production centers of excellence for the entire enterprise.



Grote Europe, Niederwinkling, Germany, is Grote's European headquarters and is responsible for design and production of lighting safety systems to meet specific European requirements.



Grote of Canada, located in Markham, Ontario, is the headquarters for the manufacturing and development of Grote's Accessory lines. Grote of Canada serves both the original equipment and aftermarket channels for the entire Canadian market, and its new state-of-the-art facility operates at the forefront of industry manufacturing and distribution efficiency.



Grote Electronics, located in Waterloo, Canada, is a state-of-the-art, high-volume manufacturing facility dedicated to assembling Grote's light emitting diode (LED) circuit boards and electronic-based specialty products. Today, we are leading the industry in LED technology, not only for exterior lighting solutions, but for interior designs as well.



Grote De Mexico, located in Monterrey, is responsible for development and production of Grote wiring and trailer harnesses, including Grote's patented ULTRA-BLUE-SEAL® pigtail and harness system.



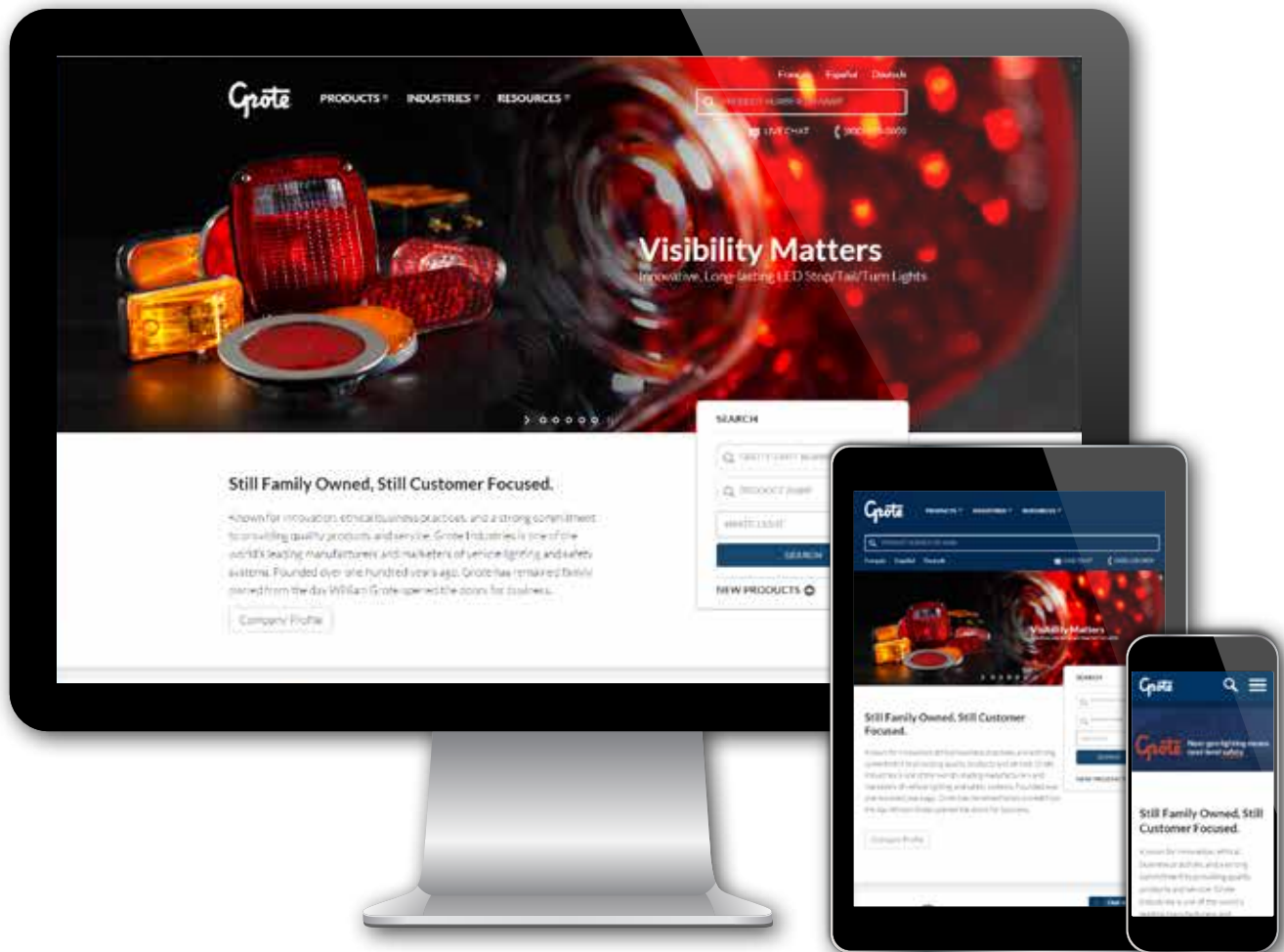
Grote China, located in Shanghai, China is a wholly-owned, foreign enterprise of Grote Industries. Grote's new facility is the launching pad for our Asian OE business growth.



Clearance / Marker Lamps Feux de Gabarit / Position Lámparas de Gálbo / Demarcadora	21-54
Stop / Tail / Turn Lamps Feux Arrêt / Arrière / Direction Lámparas de Freno / Cuarto / Direccional	55-84
RV, Marine and Utility Trailer Lighting Phares Nautiques, de Véhicules Récréatifs et de Remorques Lámparas para vehículos Recreativos / Marinos / Utilitarios	85-92
License and Backup Feux de Plaque d'Immatriculation et de Recul Lámparas de Placa / Reversa	93-102
Interior Lighting Lumières d'Intérieur Lámparas para Interior	103-116
Task Lighting Éclairage direct Luces de trabajo	117-118
Work Lighting Lampe de Travail Iluminación de Trabajo	119-133
Forward Lighting Phares Utilitaires Faros Delanteros	134-140
Warning and Hazard Gyrophares et Feux d'Avertissement Lámparas de advertencia y precaución	141-160
Flashers and Turn Signal Switches Clignotants et Commutateurs Palancas Direccionales / Destelladores	161-170
Mirrors Rétroviseurs Espejos	171-184
Trailer Wiring and Communications Systems Systèmes de Communication et Filage de Remorques Sistemas de arneses para remolque / Caja de conexión	185-193
Pigtails, Brackets and Grommets Spirales de Raccord, Bague de Montage et Supports Conectores / Soportes rígidos y flexibles	194-220
Reflectors Réflecteurs Reflectantes	221-225
Lenses Lentilles Micas	226-230
Technical Information Information Technique Información técnica	231-264

Visit Grote.com to get the most up-to-date product information

Whether you're a desktop, tablet or mobile techie, Grote.com puts all the Grote lighting information at your fingertips--wherever you may be. High resolution imagery, up-to-date stats and information, unique 360° views of many products, and the latest product releases are at your command 24/7.



GROTE.COM...

**Think of it as YOUR OWN PERSONAL ON-THE-GO
Lighting & Accessory Advisor!**

If you specify a Total Grote Lighting System, it is probable you will never incur unplanned maintenance caused by lighting.

Except for a catastrophic incident such as an accident, physical contact damage, or damage from a tire tread delamination, you should not incur unplanned downtime caused by lighting failure if you follow simple procedures during initial equipment acceptance and avoid certain practices that compromise the equipment.

THE BENEFICIAL BOTTOM LINE SAVINGS OF INVESTMENT GRADE LIGHTING WILL BE SIGNIFICANT.

A 1,000 trailer fleet typically has 4,000 stop/tail/turn lamps in circulation. At a 3.5 year average life expectancy per bulb, divided by 365 days per year, that fleet will experience approximately 3 failures per day. Calculate that with your maintenance and lost load time and you will quickly begin to understand the significance.

EXPECT THESE RESULTS:

- If you replace incandescent lighting, Grote guarantees a dramatic reduction in lighting-caused CSA points.
- In ten years, you will save approximately four times the cost of the entire lighting package.

ACHIEVING A NO/LOW MAINTENANCE PROGRAM

Improve and Protect Your CSA Rating

Lamp and wiring malfunctions are a leading contributor to poor CSA scores.

Six points for a malfunctioning stop/tail/turn lamp, for instance. Poor CSA scores and high maintenance costs usually go hand in hand. If your lighting acquisition strategy is based on low initial cost, you'll probably end up with higher overall lighting costs – and most likely a higher CSA score.

That's why one of the best investments you can make in the profitability of your company is to use only Grote Investment Grade LED lamps, harnesses, and power cords – products that vastly outperform and outlast products from bargain basement suppliers.

Grote only provides Investment Grade products – that's why our products are worth your investment.

The Financial Case Against Incandescent Stop/Tail/Turn Lamps

How much will a 1000 trailer fleet have to spend to save \$36,000 in initial cost?



Grote LED Interior Lamps Provide the Right Kind of Light With a Full Range of Fixtures

FULL RANGE OF FEATURES

LED technology models provide 50,000 hours of operation, low power draw (use 70% less power than incandescents), moisture and vibration protection, plus built-in automatic thermal protection.

FULL RANGE OF STYLES

Low profile and recessed mount models maximize head and storage room. Many rectangular and circular styles to choose from. Custom shapes for specialized lighting requirements – stepwell, courtesy, compact, rope, beehive, map; some with manual, automatic, or sensor-driven switch-off features.



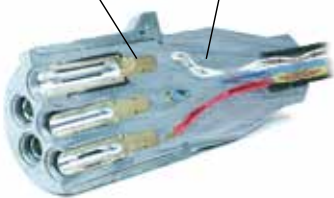
UltraLink™ Power Cords: Superior Power Delivery

GROTE'S ULTRALINK™ CORDS PROVIDE MAXIMUM RELIABILITY IN THE HARSHTEST ENVIRONMENTS.

Plug Design

Solid brass
nickel-plated
pins

Crush resistant
weather-tight
elastomeric material



Cable-to-Plug Seal

Wire jacket is molded into the plug
with a patented bonding agent sealing
it from the elements and eliminating
the need for a spring



Crush Resistant

Grote's UltraLink's crush-resistant design
can survive the harshest environments
while conventional hollow core designs are
permanently deformed and rendered useless.



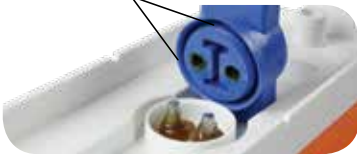
Grote UBS™ Harness Systems: Designed to Prevent Unplanned Downtime

GROTE'S UBS HARNESS SYSTEMS ARE DESIGNED TO PREVENT UNPLANNED DOWNTIME OVER THE LIFE OF THE VEHICLE. THEY'RE MODULAR FOR FLEXIBILITY AND TOTALLY SEALED TO LOCK OUT THE CORROSION FOUND IN TODAY'S HIGHWAY ENVIRONMENT.

Grote's Double Seal Advantage

The Double Seal is a molded-in circular ring that corresponds to the lamp connection.

The inner sealing ring covers the terminal area. The outer ring seals around the outside area of the lamp plug connection creating the double seal.



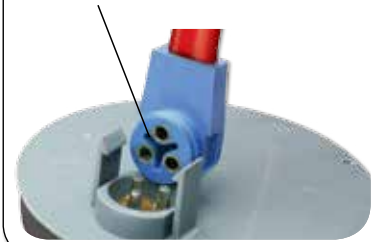
Avoid Corrosion

Our exclusive locking collar prevents accidental disconnects, allows for dielectric grease applications and provides a means of securing the connection to the trailer.



Grote's Male Pin Termination

Center grease reservoir protects against hydraulic pressure forcing connection open.

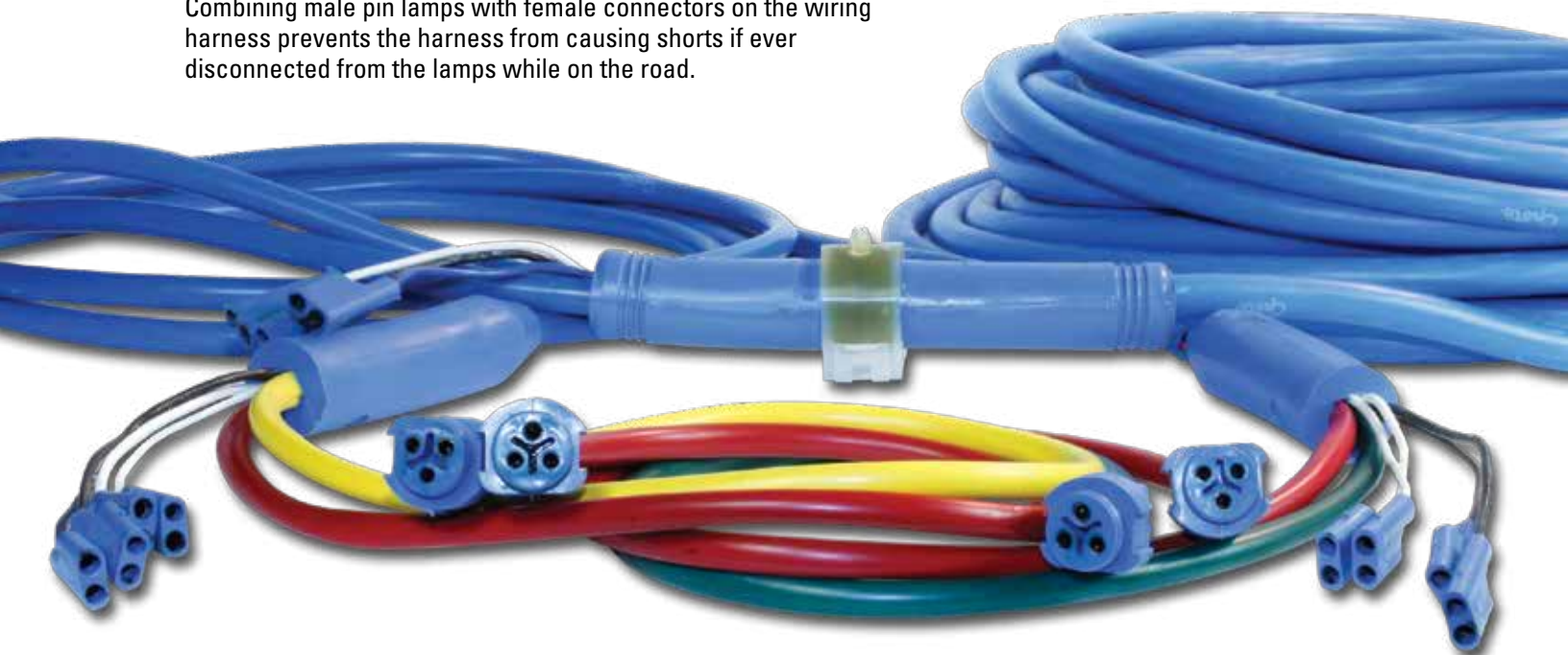


LOCKS OUT CORROSION

Grote's UBS harness system is so corrosion resistant it may never need service in normal use. Both within harness and at critical harness/lamp connection, Grote's patented Double Seal design provides complete and permanent protection from moisture and contamination.

PREVENTS DANGEROUS SHORT CIRCUITS

Grote's UBS male pin system is accepted in the market as superior to any other harness design. Solid, spun-brass terminals are tin-plated for maximum durability and corrosion resistance. Combining male pin lamps with female connectors on the wiring harness prevents the harness from causing shorts if ever disconnected from the lamps while on the road.



Grote Knows Lighting

GROTE KNOWS OPTIMUM PERFORMANCE IS CRITICAL IN TODAY'S RUGGED, HARSH AND DEMANDING ENVIRONMENTS. THAT'S WHY GROTE OFFERS A COMPLETE LINE OF ELECTRICAL CONNECTIONS AND ACCESSORIES.

WITH OVER 3000 PARTS AVAILABLE, Grote is the **ONLY** full line lighting supplier that offers everything needed to connect and protect vehicle lighting and electrical systems. Grote's complete line of terminals and connectors, wire and cable products, and protective and support items as well as switches and electrical assemblies, trailer connectors, battery connectors and cables and tools, gives you everything you need to meet the repair, maintenance and installation needs of today's vehicles.

PROFESSIONALS CHOOSE GROTE products to ensure top performance and professional results. Quality lighting and electrical connections and accessories....**GROTE'S GOT IT!**



Grote LED Work Lamps: High Output, Ultra Rugged

WHEN THE WORK JUST HAS TO GET DONE

HIGH OUTPUT:

Advanced LED technology plus sophisticated reflector optics waste less light, put more usable light on the task.

ULTRA RUGGED:

Field tested to excel in brutal off-road conditions. SAE J575E-compliant designs protect against vibration, corrosion, moisture, dust, and most direct impacts.

COLOR TEMPERATURE OPTIMIZED FOR PRODUCTIVITY:

Noon time sun-like color temperature output allows work crews to do better work over longer periods of time without eye fatigue.

READY FOR ANYTHING: Grote work lamps provide superior performance on mining, construction, off road, agriculture, utility, and emergency vehicles.



4^{IN}1

Four Functions in One Lamp



CHANGE TO THE NEW 4^{IN}1 INTEGRATED BACK-UP LIGHTS FROM GROTE

As an all-in-one stop, tail, turn, back-up combination light, Grote's patented integrated technology lets you save time, money and space on both installation and maintenance.

These new lights fit most standard 4-inch round or 6-inch oval mounting hardware, and allow for fewer lamps, connections, and mounting holes resulting in a more robust system, less frequent repairs and decreased time off the road awaiting parts.



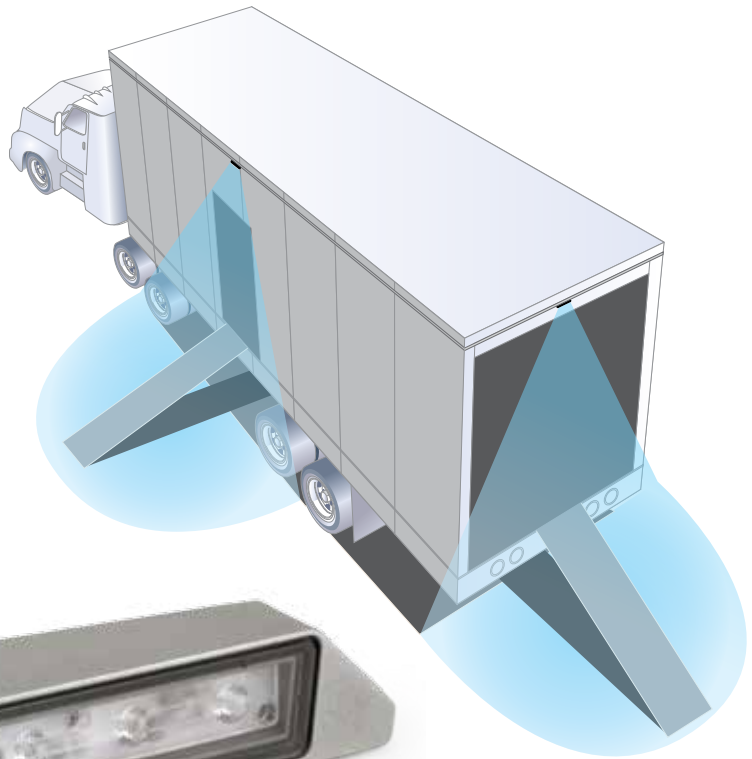
Rugged, dependable coverage for safety and security

GROTE RADIUS LIGHT: THE IDEAL LIGHT SOURCE FOR ANYWHERE YOU ENTER OR EXIT THE VEHICLE.

Thanks to Grote's Radius Light, you now have clear, bright illumination—so there is less need to worry about injury.

EASY TO INSTALL

Included with Grote's Radius Light are both a spacer and a gasket to make it easy to install on any vehicle. Additionally it comes with easy to follow step by step installation instructions.



Model Number Index

Index de Numéros de Pièces Índice por familia / número de parte

Grote Product Numbering System

Grote uses a meaningful product numbering system that makes it possible to quickly locate the correct product and verify the correct product has been selected. The typical Grote part number contains five digits, followed by a hyphen, followed by a single digit. Here's what it all means.

The first four digits or alpha characters (00000-0) indicate the product category.

0000 Displays
 4000 Reflectors
 4210 Brackets and Permit Holders
 4400 Switches
 4450 Flashers
 4500 Clearance/Marker/Cab/ID or Bar Lamps
 4600 Clearance/Marker/Cab/ID or Bar Lamps
 4700 Clearance/Marker/Cab/ID or Bar Lamps
 4800 Turn Signal Switch
 4900 Clearance/Marker/Cab/ID or Bar Lamps
 5000 Combination STT or single function turn lamps
 5100 Combination STT or single function turn lamps
 5200 Combination STT or single function turn lamps
 5300 Combination STT or single function turn lamps
 5400 Combination STT or single function turn lamps
 5500 Combination STT or single function turn lamps
 5600 Combination STT or single function turn lamps
 5700 Combination STT or single function turn lamps
 5800 Combination STT or single function turn lamps
 5900 Combination STT or single function turn lamps
 6000 License Lamp/Courtesy Lamps
 6100 Dome/Map/Stepwell
 6200 Backup lamps
 6300 Flood/Fog/Tractor/Driving Lamp
 6400 Flood/Fog/Tractor/Driving Lamp
 6500 Boat Kits
 6600 Spliceless Harness System
 6700 Wire Kits/Pigtail and wire ass'y European System
 6750 Rear Sills
 6800 Wire Kits/Pigtails
 6850 Main Harnesses
 6900 T/S harness Kits
 7000 Flags
 7100 Flares
 7200 Fuses and Horns
 7300 Backup Alarms
 7600 Roto Beacons
 7700 School Bus
 7800 Warning
 8200 Military Lamps
 8300 Military Lamps
 8500 Automotive Replacement lenses
 8600 Automotive Replacement lenses
 8700 Cable Assemblies
 8720 7 Way Plug and Socket
 8730 7 Way Plug and Socket

8740 Spring
 8750 Inserts used on 6/7 plug and sockets
 8760 Boots
 8770 Replacement motors and elec. Equip.
 9000 Lens Assemblies
 9800 Misc. Packaged Items
 9900 Misc. Packaged Items

The next digit or alpha character (00000-0) indicate the product color or finish.

Lens	Finish
0 2 colors	
1 Clear, white or moonstone	1 White
2 Red	2 Black
3 Yellow	3 Chrome/Stainless Steel
4 Green	4 Aluminum
5 Blue	5 Zinc

The sixth digit (00000-0) indicates packaging.

0 Item only
 1 Ind. Display
 2 Ind. Plain
 3 Bulk
 4 Pair Pack
 5 Bubble Pack, Display Pack, Clam Shell or Retail Pack (Crystal-Pack or Slide Lock)
 6 Fleet Pack
 7 Multiple Pack (Kit)

The absence of the sixth digit indicates product is in standard shelf packaging, e.g., individual pack or polybag, and in the case of lenses a standard shelf pack will have 6 to 12 to a container. Refer to your price sheet for exact quantity and other pack types.

Reference Notes:

For each product listing we have included the latest applicable Federal Motor Vehicle Standards [FMVSS], SAE code and technical specifications. In this area we have also listed related accessory items such as Pigtails, Brackets and Grommets.

The part numbers listed are suggested items; they may not be the only alternative. However, additional part numbers that may better fit your application can be located in the Pigtails, Brackets and Grommets section.

* Some of the foregoing marks, including those identified with an asterisk, are names or marks of third-parties who are not affiliated with Grote Industries, Inc.

NEW = New

PC = PC lamp rating

ECE = ECE

24 = 24 Volts

MULTI = Multiple Voltage

RETAIL = Retail Packaging

FOG = Compliant for J583 2004



GROTE.COM

For the fastest, most up-to-date resource for all Grote products and information visit grote.com. Discover resources, technical information, product literature and learn about new products. Our product search, lets you search by part number or product category as well as other means to help you find what you are looking for. Go to grote.com today!

Model Number Index

Index de Numéros de Pièces Indice por familia / número de parte

<i>Model No.</i>	<i>Page</i>	<i>Model No.</i>	<i>Page</i>	<i>Model No.</i>	<i>Page</i>	<i>Model No.</i>	<i>Page</i>	<i>Model No.</i>	<i>Page</i>
01-5444-73.....	70	63J31.....	122	12053.....	175	28033.....	175	41032.....	223
01-5445-73.....	70	63L31.....	120	12071.....	179	28033-5.....	175	41032-5.....	223
61E01.....	105	63L41.....	120	12072.....	179	28041.....	175	41033.....	223
61E11.....	105	63L51.....	120	12073.....	179	28042.....	175	41033-5.....	223
61E31.....	105	63L61.....	120	12073-5.....	179	28043.....	175	41042.....	223
61E41.....	105	63L71.....	120	12101.....	180	28051.....	181	41043.....	223
61E51.....	105	63L81.....	120	12102.....	180	28063.....	178	41050.....	221
61E61.....	103	64E01.....	125	12111-5.....	179, 180	28091-5.....	180	41080.....	221
61E81.....	109	64E01-5.....	125	12113-5.....	179, 180	28093-5.....	180	41121.....	221
61E91.....	109	64E11.....	125	12122.....	181	28152.....	175	41122.....	221
61F01.....	109	64E11-5.....	125	12153.....	178	28162.....	175	41133.....	221
61F11.....	109	64F01.....	125	12164.....	182	28193.....	177	41142.....	222
61F30.....	104	64F11.....	125	12164-5.....	182	28252-5.....	181	41142-5.....	222
61F40.....	104	64G01.....	125	12172.....	176	28293-5.....	180	41143.....	222
61F51.....	104	64G01-5.....	125	12173.....	176	28323-5.....	180	41152.....	222
61F61.....	103	64G11.....	125	12182.....	176	28393-5.....	181	41153.....	222
61F81.....	109	64G11-5.....	125	12183.....	176, 177, 178	28443.....	177	41160.....	221
61G01.....	109	64H01-1.....	128	12193-5.....	180	28453.....	179	41271.....	221
61G21.....	103	64H01-5.....	128	12201-5.....	182	28461.....	171	41273.....	221
61G31.....	109	64J11.....	126	12243-5.....	179	28463.....	171	42052.....	212
61G81.....	109	64J21.....	126	12263-5.....	181	28481.....	178	42063.....	201
61G91.....	105	64J31.....	126	12272-5.....	176	28491.....	178	42070.....	208
61H01.....	105	64J41.....	126	12283.....	176	28493.....	178	42103.....	214
61H11.....	105	64J51.....	126	12293.....	176	28663.....	175	42110.....	206
61H21.....	105	64M11-5.....	117	12301.....	179	28763.....	181	42112.....	206
61H31.....	105	02001-4.....	138	12303.....	179	29060.....	175	42120.....	206
61H41.....	105	05001-5.....	138	12312-5.....	182	40052.....	223	42131.....	206
61H51.....	105	05041-5.....	138	12331.....	179	40052-5.....	223	42141.....	207
61H91.....	103	05051-5.....	138	12333.....	179	40053.....	223	42152.....	214
61M11.....	103	05151.....	138	12813.....	176	40053-5.....	223	42153.....	214
63E01.....	119	05301-5.....	138	12983.....	176	40062.....	223	42162.....	207
63E11.....	119	06001-4.....	138	16021.....	172	40063.....	223	42170.....	204
63E21.....	119	06013-4.....	138	16023.....	172	40072.....	223	42180.....	204
63E23.....	119	06021-4.....	138	16032.....	176	40072-5.....	223	42190.....	201
63E31.....	119	06201.....	138	16033.....	176	40073.....	223	42282.....	208
63E41.....	124	6608-E9.....	188	16041.....	171	40073-5.....	223	42292.....	208
63E51.....	124	6608-F9.....	188	16043.....	171	40092.....	224	42302.....	208
63E61.....	124	07001-4.....	139	16053.....	171	40093.....	224	42312.....	208
63E71.....	124	07021-4.....	139	16091.....	174	40132.....	222	43022.....	218
63E81.....	120	07401.....	139	16092.....	174	40132-5.....	222	43022-5.....	218
63E91.....	120	07803.....	139	16093.....	174	40133.....	222	43030.....	210
63F01.....	120	09561.....	228	16101.....	173	40133-5.....	222	43040.....	202
63F11.....	120	09681.....	228	16102.....	173	40152.....	224	43050.....	206
63F21.....	120	09781.....	228	16123.....	172	40153.....	224	43074.....	209
63F31.....	120	09793.....	228	16142.....	173	40162.....	224	43100.....	215
63F41.....	120	10002.....	183	16153.....	173	40163.....	224	43112.....	216
63F51.....	120	10012.....	183	16202.....	172	40192.....	224	43120.....	210
63F61.....	120	10013.....	183	16244.....	172	40193.....	224	43144.....	210
63F71.....	120	10025.....	183	16273.....	173	40232.....	224	43150.....	202
63F81.....	121	10045.....	183	16284.....	173	40232-5.....	224	43152.....	202
63F81-5.....	121	10073.....	183	16294.....	173	40233.....	224	43153.....	202
63F91.....	121	10173.....	184	16304.....	173	40233-5.....	224	43160.....	203
63G01.....	121	10433.....	177	18103-5.....	182	40302.....	222	43162.....	203
63G11.....	121	10623.....	183	18252-5.....	182	40303.....	222	43163.....	203
63G21.....	121	11133.....	184	18302-5.....	182	40440-5.....	222	43172.....	214
63G31.....	121	11195.....	178	22013.....	174	40460-5.....	222	43212.....	215
63G81.....	122	11293.....	184	22063.....	174	40641.....	221	43220.....	214
63G91.....	122	11303.....	184	22193.....	177	40641-5.....	221	43222.....	214
63H01.....	127	12004.....	182	22232.....	174	40650.....	221	43223.....	214
63H11.....	127	12004-5.....	182	22233.....	174	40650-5.....	221	43240.....	152
63H31.....	119	12010.....	177	26001-5.....	174	40701.....	221	43230.....	210
63H81.....	127	12014.....	182	26012-5.....	174	41002.....	223	43253.....	212
63J01.....	122	12014-5.....	182	26021-5.....	173	41003.....	223	43262-5.....	218
63J11.....	122	12020.....	177	28031.....	175	41012.....	224	43272.....	218
63J21.....	122	12052.....	175	28032.....	175	41013.....	224	43272-5.....	218

Model Number Index

Index de Numéros de Pièces Indice por familia / número de parte

<i>Model No.</i>	<i>Page</i>	<i>Model No.</i>	<i>Page</i>	<i>Model No.</i>	<i>Page</i>	<i>Model No.</i>	<i>Page</i>	<i>Model No.</i>	<i>Page</i>
43282	215	44730	163	45382	35	46073	45	46873	44
43292	215	44740	157	45383	35	46082	45	46873-5	44
43300	217	44810	162	45412	28	46083	45	46882	36
43325	217	44810-5	162	45412-5	28	46092	47	46882-5	36
43335	217	44820	162	45413	28	46132	23	46883	36
43343	212	44840-5	140	45413-5	28	46133	23	46883-5	36
43362	214	44850	162	45432	38	46142	26	46892	48
43370	206	44860	162	45433	38	46143	26	46892-5	48
43380	207	44890	161	45442	46	46282	47	46893	48
43390	209	44891	161	45443	46	46283	47	46893-5	48
43411	219	44892	163	45462	46	46292	47	46983	37, 86, 87
43424	219	44893	163	45463	46	46293	47	46902	35
43430	204	44910	116	45503	53	46302	46	46903	35
43512	205	45002-5	33	45512	36	46303	46	46913	53
43522	205	45003-5	33	45512-5	36	46322	54	46922	35
43532	205	45012	48	45513	36	46323	54	46933	35
43540	216	45013	48	45513-5	36	46332	54	46982-5	37, 87
43572	212	45021-5	115	45522	36	46333	54	46983-5	37, 87
43642	213	45022	30	45523	36	46392	36	47012	33
43651	218	45022-5	30	45562	24	46392-5	36	47013	33
43652	218	45023	30	45563	24	46393	36	47051	37
43655	212	45023-5	30	45572	40	46393-5	36	47052	37
43673	210	45042	28	45573	40	46412	31	47053	37
43673-5	210	45043	28	45582	40	46412-5	31	47063	52
43684	187	45062	24	45583	40	46413	31	47072	43
43690	204	45063	24	45593	40	46413-5	31	47073	43
43723	214	45072	28	45603	40	46422-5	31	47082	30
43732	213	45073	28	45613	40	46423-5	31	47083	30
43744	217	45092	32	45623	40	46433	52	47092	31
43760	205	45093	32	45633	40	46493-5	38	47093	31
43780	209	45102	35	45643	40	46543	53	47102	25
43783	209	45103	35	45662	42	46543-5	53	47103	25
43790	209	45132	35	45663	42	46702	37	47112	23
43823	204	45133	35	45672	35	46703	37	47113	23
43830	208	45142	32	45673	35	46703-5	37	47122	26
43842	218	45143	32	45712	42	46712	37	47123	26
43850	209	45162	31	45713	42	46712-5	37	47162	43
43901	220	45163	31	45762	41	46713	37	47163	43
43942	216	45172	47	45763	41	46713-5	37	47183	52
43952	215	45173	47	45772	41	46740	32	47202	26
43960	207	45182	28	45773	41	46742	32	47212	24
43962	207	45183	28	45783	41	46742-5	32	47213	24
43970	206	45202	24	45792	41	46743	32	47222	29
43980	206	45203	24	45793	41	46743-5	32	47223	29
44010	166	45222	28	45811	112	46772	39	47232	26
44030	166	45223	28	45812	28	46773	39	47233	26
44070	166	45232	33	45812-5	28	46782	39	47242	34
44090	161	45233	33	45813	28	46783	39	47243	34
44110	161	45242-5	33	45813-5	28	46791	112	47252	42
44134	157	45243-5	33	45821	94	46792	39	47253	42
44140	162	45252	35	45822	24	46792-5	39	47262	42
44160	161	45252-5	35	45822-5	24	46793	39	47263	42
44242	116	45253	35	45823	24	46793-5	39	47322	26
44380	116	45253-5	35	45823-5	24	46802	45	47323	26
44421	157	45262	38	45832	28	46803	45	47332	23
44440	115	45262-5	38	45833	28	46813	52	47333	23
44460	166	45263	38	45853	41	46823	51	47352	43
44530	162	45263-5	38	45932	38	46832	44	47353	43
44530-5	162	45282	22	45932-5	38	46832-5	44	47362	34
44540	162	45283	22	45933	38	46833	44	47363	34
44540-5	162	45302	21, 22	45933-5	38	46833-5	44	47372	26
44690	162	45303	21, 22	45973-5	85	46862	45	47373	26
44700	162	45322	29	45993	54	46863	45	47423	26
44710	163	45323	29	46003	52	46872	44	47462	34
44720	163	45333	53	46072	45	46872-5	44	47463	34

Model Number Index

Index de Numéros de Pièces Indice por familia / número de parte

<i>Model No.</i>	<i>Page</i>	<i>Model No.</i>	<i>Page</i>	<i>Model No.</i>	<i>Page</i>	<i>Model No.</i>	<i>Page</i>	<i>Model No.</i>	<i>Page</i>
47472	26	49333	21	51942	88	52812	76	53623	63
47473	26	49341	21	51962	85, 91	52822	76	53630	72
47492	31	49342	21	51962-5	85	52832	76	53640	72
47493	31	49343	21	51972	91	52892	65	53650	72
47502	33	49351	21	51972-5	85, 91	52892-5	65	53662	87
47503	33	49352	21	51982	86	52893	65	53672	87
47732	43	49353	21	51982-5	86	52893-5	65	53702	73
47733	43	49362	21	51992	86	52902	74	53712	73
47772	40	49363	21	51992-5	86	52912	74	53722	74
47773	40	49372	22	52002	91	52922	59	53762	74
47852-5	86	49373	22	52023	68	52922-5	59	53782	73
47853-5	86	49382	22	52062	68	52923	59	53792	73
47912	42	49383	22	52063	68	52972	77	53812	88
47913	42	49392	43	52072	63	53000	81	53822	88
47922	42	49393	43	52073	63	53012	59	53833	69
47923	42	49412	21	52082	90	53012-5	59	53853	69
47952	22	49413	21	52092	55	53020	81	53883	83
47953	22	49452	21	52093	55	53023	81	53962	63
47962	22	49453	21	52112	91	53032	81	53963	63
47963	22	49460	22	52122	91	53052	81	53972	63
47972	22	50132	84	52152	58	53053	81	53973	63
47973	22	50222	61	52153	58	53062	69	54002	70
47982	22	50232	61	52162	56	53063	69	54003	43, 44, 70
47983	22	50232-5	61	52163	56	53082-5	86	54012	69
48072	167	50352	83	52182	66	53092	66	54032	55
48132	169	50502	61	52182-5	66	53093	66	54042	55
48272	167	50532-5	87	52183	66	53100	58	54132	63
48282	167	50542	87	52183-5	66	53102	58	54133	63
48283	170	50542-5	87	52193	68	53102-5	58	54142	63
48284	170	50630	82	52202	71	53103	58	54143	63
48402	167	50630-5	82	52203	71	53112	58	54162	64
48432	170	50642	82	52253	68	53122	63	54163	64
48442	170	50642-5	82	52302	86	53123	63	54172	64
48522	169	50652	82	52302-5	86	53132	71	54173	64
48532	168	50662	82	52312	86	53133	71	54183	67
48542	169	50762	91	52312-5	86	53163	69	54193	67
48552	169	50820	60	52362	92	53182	56	54203	67
49002	49	50852	77	52372	92	53192	56	54213	67
49062	50	50852-5	77	52423	67	53252	55	54223	67
49072	51	50862	77	52442	87	53253	55	54233	67
49082	51	50862-5	77	52452	87	53272	55	54243	67
49112	51	50872	78	52482	88	53273	55	54253	67
49112-5	51	50872-5	78	52492	88	53282	55	54263	67
49122	50	50882	78	52512	68	53292	55	54332	57
49132	49	50892	78	52513	68	53293	55	54333	57
49140	205	50902	75	52522	61	53302	55	54342	58
49142	48	50912	75	52533	68	53303	55	54343	58
49162	48	50920	72	52543	68	53312	56	54362	57
49172	49	50942	75	52553	68	53313	56	54363	57
49173	49	50952	75	52562	65	53322	56	54472	57
49182	49	50972	76	52563	65	53342	55	54482	57
49192	50	50972-5	76	52572	65	53413	56	54483	57
49202	50	50992	75	52573	65	53422	83	54492	57
49212-5	51	51002	59	52582	65	53432	55	54493	57
49223	50	51012	59	52592-5	65	53462	55	54562	56
49242-5	50	51022	60	52602	77	53493	66	54572	57
49252	34	51032	60	52612	60	53523	56	54582	57
49262	21	51042	90	52672	58	53532	55	54593	46
49263	21	51052	59	52682	58	53552	55	54602	57
49253	34	51090	212	52770	58	53553	55	54622	55
49282	21	51142	90	52772	58	53582	70	54633	57
49283	21	51242	90	52772-5	58	53592	63	54643	57
49322	21	51242-5	90	52773	58	53593	63	54663	46
49323	21	51342-5	90	52782	58	53612	59	54672	62
49332	21	51932	88	52802	76	53622	63	54682	62



Model Number Index

Index de Numéros de Pièces Indice por familia / número de parte

<i>Model No.</i>	<i>Page</i>	<i>Model No.</i>	<i>Page</i>	<i>Model No.</i>	<i>Page</i>	<i>Model No.</i>	<i>Page</i>	<i>Model No.</i>	<i>Page</i>
54702	62	60351	112	61961	104	63610	123	64943	131
54722	62	60361	113	61991	104	63611	123	64971	107
54752	62	60381	93	62011	101	63611-5	123	64991	132
54762	62	60391	109	62021	101	63621	123	65190-5	87
55092	61	60401	109	62021-5	101	63621-5	123	65202	31
55103	56	60411	111	62051	100	63651	123	65203	31
55162	55	60421	110	62091	98	63661	123	65230-5	87
55202	55	60460	95	62101	98	63671	124	65240-5	87
55212	55	60481	115	62111	99	63681	124	65300-5	88
55220	82	60561	111	62121	98	63691	124	65312	88
55220-5	82	60571	112	62151	102	63731	123	65320-5	86
55223	82	60581	109	62171	98	63741	123	65330-5	86
55223-5	82	60591	109	62181	98	63751	123	65350-5	87
55243	82	60631	96	62211	97	63761	124	65370-5	86
55280	81	60651	93	62221	97	63771	124	65380-5	86
55290	81	60661	93	62231	100	63821	127	65390-5	85
55340	79	60671	93	62241	100	63821-5	127	65402-4	89
55410	79	60681	93	62251	100	63831	127	65410-5	85
55420	79	60691	93	62271	97	63831-5	127	65432-4	89
55430	80	60701	93	62291	102	63861	127	65440-5	88
55440	80	60711	93	62321	98	63861-5	127	65512	34
55450	80	60721	92, 93, 113	62331	97	63871	127	65513	34
55460	80	60824	23	62381	101	63871-5	127	65720-5	89
55470	79	60841	118	62391	97	63901	124	65730-5	89
55572	58	60841-3	118	62401	97	63921	131	65870-5	85
55573	58	61021	107	62521	101	63941	131	65880-5	85
55772	65	61031	104	62561	99	63971	127	66071	188
55773	65	61051	107	62571	97	63981	119	66081	188
55982	83	61061	108	62591	99	63981-5	119	66100	191
55983	83	61091	108	62601	99	63991	119	66101	191
55992	83	61091-5	108	62691	98	63991-5	119	66110	191
55993	83	61111	103	62751	100	64061-5	137	66111	198
56000	81	61121	106	62781	98	64071	137	66113	191
56020	81	61131	106	62791	98	64101	132	66121	192
56052	81	61141	107	62811	98	64231	131	66122	191
56053	81	61161	108	63051	102	64241	136	66123	191
56072	84	61171	105	63111-5	133	64251	136	66124	191
56073	84	61221	110	63121-5	133	64261-4	136	66125	191
56083	84	61261	103	63131-5	133	64271	136	66133	193
56150-5	78	61281	109	63151-5	133	64281	136	66135	193
56160-5	78	61291	103	63161-5	133	64291-4	136	66141	193
56170-5	78	61301	110	63171-5	133	64341	131	66143	193
56180-5	78	61371	106	63181-5	134	64351-5	137	66145	193
60001	95	61391	106	63191-5	134	64371-5	136	66150	193
60011	95	61401	106	63201-5	134	64391	131	66151	193
60011-5	95	61411	106	63211-5	133	64401-5	137	66152	193
60081	96	61421	106	63221-5	133	64411	132	66153	193
60101	114	61431	107	63231-5	133	64441	132	66154	193
60101-5	114	61451	107	63241-5	133	64461	132	66155	193
60121	95	61461	107	63251-5	134	64471	131	66160	191
60131	96	61491-5	110	63291-5	132	64481-5	137	66161	191
60151	114	61501	115	63301-5	132	64491	131	66162	191
60151-5	114	61501-5	115	63321-5	133	64501-5	137	66163	191
60191	94	61511	103	63381	136	64541-5	134	66164	192
60251	113	61611	103	63391	136	64611	133	66165	193
60251-5	113	61760	104	63451-4	136	64621	133	66170	190
60261	95	61791	108	63531	137	64890	133	66171	193
60271	111	61793	108	63551	132	64891	133	66190	192
60280	95	61811	108	63561	107	64901	134	66200	192
60291	95	61821	108	63571	124	64921	132	66210	192
60301	111	61861	104	63581	124	64930	219	66220	192
60311	102	61871	104	63591	124	64931	132	66221	192
60321	94	61881	103	63601	123	64931-5	132	66222	192
60331	94	61890	104	63601-5	123	64940	131	66223	189
60341	93	61931	104	63602	123	64941	131	66224	189

Model Number Index

Index de Numéros de Pièces Indice por familia / número de parte

<i>Model No.</i>	<i>Page</i>	<i>Model No.</i>	<i>Page</i>	<i>Model No.</i>	<i>Page</i>	<i>Model No.</i>	<i>Page</i>	<i>Model No.</i>	<i>Page</i>
66225	191	67014	198	73140-5	160	77615	143	87190	185
66311	189	67016	197	73150-5	160	77623	143	87193	185
66360	195	67020	198	73160	158	77643	144	87210	188
66701	189	67050	194	73220	159	77653	144	87211	188
66702	189	67050-5	194	73240	159	77671	142	87212	188
66705	188	67070	195	73250	159	77673	142	87214	188
66711	189	67071	195	76032	151	77693	143	87215	188
66800	194	67090	197	76033	151	77713	144	87220	186
66801	194	67090-5	197	76035	151	77753	151	87240	186
66810	199	67120	194	76043	149	77773	155	87250	186
66811	197	67150	211	76053	149	77813	141	87270	186
66812	197	67151	213	76063	149	77823	141	87590	187
66813	199	67250	190	76083	150	77833	141	87781	157
66814	199	67260	190	76183	149	77843	141	87790	158
66815	196	67270	190	76203	149	77873	148	87830	187
66816	196	67271	190	76223	148	77912	147	87860	186
66820	199	67301	190	76253	141	77913	147	90011	228
66823	199	67302	190	76333	148	77923	147	90012	228
66825	197	67303	190	76443	150	77931	156	90012-5	228
66826	199	67304	190	76493	146	77932	156	90013	228
66830	200	67305	190	76653	155	77933	156	90051	228
66831	200	67315	192	76663	148	77953	141	90052	228
66831-5	200	67400	190	76683	150	78002	84	90053	228
66836	200	67401	190	76685	150	78003	84	90062	228
66840	194	67402	190	76703	152	78150	84	90063	228
66841	196	67403	190	76770	151	78152	84	90072	228
66842	196	67404	190	76793	156	78153	84	90073	228
66843	197	67405	190	76795	156	78303	84	90092	228
66843-5	197	67413	192	76803	152	78313	84	90093	228
66844	197	67570	189	76813	152	78333	24	90103	228
66845	196	67571	189	76943	151	78343	28	90121	228
66846	197	67580	189	76953	151	78363	44	90122	228
66850	194	67581	189	76963	146	78393	32	90122-5	228
66851	194	68010	198	76983	151	78403	43	90123	228
66860	200	68020	198	76985	151	78423	26	90123-5	228
66861	199	68030	198	76993	151	78433	23	90133	228
66862	199	68060	198	77013	145	78453	34	90152	228
66863	200	68080	200	77101	145	78473	153	90152-5	228
66864	200	68110	200	77102	145	78563	156	90153	228
66865	200	68130	200	77103	145	78573	156	90153-5	228
66870	196	68150	200	77105	145	82080	104	90162	228
66900	195	68170	200	77123	144	82400	104	90163	228
66902	196	68380	201	77133	144	82562	224	90172	87, 228
66903	195	68420	92	77163	152	82563	224	90173	228
66904	195	68540-5	92	77192	154	85450-5	226	90202	228
66905	195	68580	198	77193	154	85460-5	226	90202-5	228
66910	195	68630	135	77203	146	87020	185	90203	228
66911	195	68680	199	77263	153	87023	185	90203-5	228
66920	195	69680	168	77352	154	87100	185	90221	228
66930	194	69681	168	77353	154	87101	185	90232	228
66931	194	69690	168	77355	154	87103	185	90233	228
66932	198	71152	225	77361	154	87104	185	90252	228
66980	194	71422	225	77362	154	87105	185	90302	228
66981	194	71440	225	77363	154	87110	185	90303	228
66982	194	71450	225	77365	154	87111	185	90342	228
67000	197	72010-5	160	77443	147	87112	185	90353	228
67001	194	72050-5	160	77453	142	87141	186	90373	228
67001-5	194	72100-5	160	77461	155	87151	186	90383	228
67002	196	72110-5	160	77462	155	87170	185	90393	228
67005	196	73030	158	77463	155	87171	185	90401	228
67006	200	73040	159	77465	155	87172	185	90481	228
67010	198	73040-5	159	77473	145	87173	185	90482	228
67011	198	73080	158	77483	145	87180	185	90483	228
67012	198	73090	159	77611	143	87181	185	90620	140
67013	196	73110	159	77613	143	87182	185	90642	228

Model Number Index

Index de Numéros de Pièces / Índice por familia / número de parte

<i>Model No.</i>	<i>Page</i>	<i>Model No.</i>	<i>Page</i>	<i>Model No.</i>	<i>Page</i>	<i>Model No.</i>	<i>Page</i>	<i>Model No.</i>	<i>Page</i>
90652	88	92031	229	93252	230	99595	213	G3002-5	23
90742	228	92032	229	93383	230	99600	186, 187	G3003	23
90743	228	92033	229	93393	230	99601	186, 187	G3003-5	23
90752	229	92035	229	93400	207	99630	153	G3092	25
90761	229	92062	229	93402	207	99680	186, 187	G3093	25
90762	229	92063	229	93453	209	99802	230	G4002	57
90861-5	140	92070	202	93473	209	99803	230	G4002-5	57
90901	140	92120	201	93552	211	99832	230	G4003	57
90922	229	92150	201	93553	211	99833	230	G4003-5	57
90923	229	92162	229	93600	217	99842	230	G4012	57
90941-5	135	92163	229	93610	95, 96	99843	230	G4022	57
90951-5	135	92172	229	93670	203	99912	230	G4502	71
90971-5	140	92173	229	93683	211	99913	230	G4503	71
91042	229	92183	229	93723	230	BZ101-5	130	G4602	39
91043	229	92193	229	93750	204	BZ201-5	130	G4602-5	39
91051	140	92382	229	93760	202	BZ301-5	130	G4603	39
91101	229	92420	213	93780	115	BZ401-5	129	G4603-5	39
91112	229	92432	229	93803	207	BZ501-5	129	G4613	39
91113	229	92433	229	93860	201, 204	BZ601-5	130	G5052	54
91122	229	92453	229	93891	230	BZ701	129	G5053	54
91302	229	92510	212	93982	216	BZ702	129	G5053-5	54
91311	229	92511	212	94000	203	BZ703	129	G5082	73
91323	228	92512	212	94010	202	BZ705	129	G5082-5	73
91380	205	92513	212	94100	201	BZ801-5	129	G5092	73
91400	202	92583	209	94180	216	BZ901-5	129	G5092-5	73
91410	203	92611	229	94233	206	G1002	27	G5202	73
91482	229	92701-5	140	94300	230	G1003	27	G5212	73
91502	229	92720	213	94310	230	G1032	27	G5300	80
91503	229	92773	229	94350	208	G1032-5	27	G5530	79
91513	229	92792	229	94360	201	G1033	27	G5530-5	79
91572	229	92883	229	94580	230	G1033-5	27	G5540	79
91573	229	92885	229	94590	230	G1042	27	G5540-5	79
91581	229	92892	230	94600	230	G1043	27	G5543-5	79
91582	229	92893	230	94690	219	G1082	29	G6002	64
91583	229	92901	230	99401-5	135	G1083	29	G6002-5	64
91683	229	92920	203	99411-5	135	G1092	27	G6003	64
91740	211	92960	157	99421-5	135	G1093	27	G6003-5	64
91880	203	92970	157	97750	217	G1502	30	G6012	64
91890	203	92980	157	99170	220	G1503	30	G6013	64
91950	211	92993	230	99170-1	220	G1902	32	G6121	114
91961	229	93003	230	99170-GT	220	G1902-5	32	G6131	114
91962	229	93005	230	99180	220	G1903	32	G6151	114
91962-5	229	93013	230	99460-5	92	G1903-5	32	G6261	113
91963	229	93015	230	99500-3	190	G1913	32		
91963-5	229	93131	230	99501-3	190	G2102	44		
91964	229	93151	230	99502	190	G2102-5	44		
91965	229	93163	230	99510	186, 187	G2103	44		
91992	229	93171	230	99580	220	G2103-5	44		
91993	229	93190	212	99593	213	G3002	23		

Multi-Volt and Non 12-Volt Product Index

Model No.	Page	Model No.	Page	Model No.	Page	Model No.	Page	Model No.	Page		
61E11	24V	105	63L61	12/24V	120	47363	24V	34	63681	24V	124
61E31	24V	105	63L71	12/24V	120	47732	24V	43	63691	24V	124
61E51	24V	105	63L81	12/24V	120	47733	24V	43	63731	24V	123
61E91	24V	109	64E01	10-48V	125	49262	9/32V	21	63741	24V	123
61F11	24V	109	64E01-5	10-48V	125	49263	9/32V	21	63751	24V	123
61F30	10-32V	104	64E11	10-48V	125	49282	9/32V	21	63761	12/24V	124
61F40	10-32V	104	64F01	10-48V	125	49283	9/32V	21	63771	24V	124
61H11	24V	105	64F11	10-48V	125	49351	24V	21	63821	12/24V	127
61H21	24V	105	64G01	10-48V	125	49352	24V	21	63821-5	12/24V	127
61H31	24V	105	64G01-5	10/48V	125	49353	24V	21	63831	12/24V	127
63E01	12/24V	119	64G11	10/48V	125	52072	24V	63	63831-5	12/24V	127
63E11	12/24V	119	64G11-5	10/48V	125	52073	24V	63	63861	12/24V	127
63E21	12/24V	119	64H01-5	12/36V	128	52092	24V	55	63861-5	12/24V	127
63E23	12/24V	119	64J11	12/24V	126	52093	24V	55	63871	12/24V	127
63E31	12/24V	119	64J21	12/24V	126	52152	24V	58	63871-5	12/24V	127
63E41	12/24V	124	64J31	12/24V	126	52153	24V	58	63901	12/24V	124
63E51	12/24V	124	64J41	12/24V	126	52162	24V	56	63971	12/24V	127
63E61	12/24V	124	64J51	12/24V	126	52163	24V	56	63981	12/24V	119
63E71	24V	124	64M11-5	12/24V	117	56150-5	12/24V	78	63981-5	12/24V	119
63F11	24V	120	44010	12-24V	166	56160-5	12/24V	78	63991	12/24V	119
63F31	24V	120	44030	12-24V	166	56170-5	12/24V	78	63991-5	12/24V	119
63F41	24V	120	44070	18-32V	166	56180-5	12/24V	78	64391	24V	131
63F51	24V	120	44134	12-36V	157	60391	24V	109	64461	24V	132
63F81	12/24V	121	44421	12-80V	157	60401	24V	109	64491	24V	131
63F81-5	12/24V	121	44850	24V	162	60711	9/32V	93	64921	24V	132
63F91	12/24V	121	44860	24V	162	61021	24V	107	73030	12-36V	158
63G01	12/24V	121	45142	24V	32	61061	24V	108	73040	12-24V	159
63G11	12/24V	121	45143	24V	32	61111	24V	103	73040-5	12-24V	159
63G21	12/24V	121	45162	12V	31	61131	24V	106	73080	12-24V	158
63G31	12/24V	121	45163	12V	31	61401	24V	106	73090	12-24V	159
63G81	12/24V	122	45182	24V	28	61421	24V	106	73110	12-24V	159
63G91	12/24V	122	45183	24V	28	61760	10-32V	104	73160	12-36V	158
63H01	12/24V	127	45202	24V	24	61861	9-30V	104	73220	12-24V	159
63H11	12/24V	127	45203	24V	24	61871	9-30V	104	73240	12-24V	159
63H31	48V	119	45222	12V	28	61890	10-32V	104	73250	12-36V	159
63H81	12/24V	127	45223	12V	28	62321	24V	98	76063	24V	149
63J01	12/24V	122	47322	24V	26	62571	24V	97	76663	12-36V	148
63J11	12/24V	122	47323	24V	26	63241-5	24V	133	76683	12-24V	150
63J21	12/24V	122	47332	24V	23	63251-5	24V	134	76685	12-24V	150
63J31	12/24V	122	47333	24V	23	63571	12/24V	124	76703	12-24V	152
63L31	12/24V	120	47352	24V	43	63581	12/24V	124	76793	11-30V	156
63L41	12/24V	120	47353	24V	43	63591	12/24V	124	76795	11-30V	156
63L51	12/24V	120	47362	24V	34	63671	24V	124	76963	12-48V	146



NEED HELP FINDING THE RIGHT PRODUCT?
GROTE CUSTOMER SERVICE
 IS JUST A PHONE CALL AWAY 800-628-0809

Featured Products

THESE PRODUCTS PROVIDE UNIQUE FUNCTIONALITY FOR HIGHER PRODUCTIVITY AND OPERATIONAL LONGEVITY.



INTEGRATED FLANGE LED STOP | TAIL | TURN LIGHTS

As the newest of its kind, the patented design of the Grote LED S/T/T with Integrated Backup lights integrates the functions of Stop, Tail, Turn and Back-up lights into a single, industry-standard size combination.

Page 55
Page 62



GROTE LED TASK LIGHTING

Top to bottom, left to right and all areas in between. Grote task lighting offers rugged, dependable coverage for safety and security at an affordable price.

Page 117
Page 118



GROTE T26 LED WORK LAMP

The new standard for Trilliant® performance in a small, mount-anywhere work light, including a far pattern and near pattern flood design, with a choice of pinch or pedestal mountings.

Page 125



GROTE BRITZONE LED WORK LIGHTS

Grote's line of affordable LED lights are designed to work when you need them—no excuses. Rain or shine, day or night, wet or dry—Grote's signature design, quality and performance are on display.

Page 129



LED SEALED BEAM REPLACEMENT HEADLIGHTS

With both seven-inch round and five-by-seven inch rectangular lights, you can replace your existing lights with the durable, long-lasting LED lights Grote is famous for.

Page 135