

LED SEALED BEAM REPLACEMENT HEADLAMP BULBS

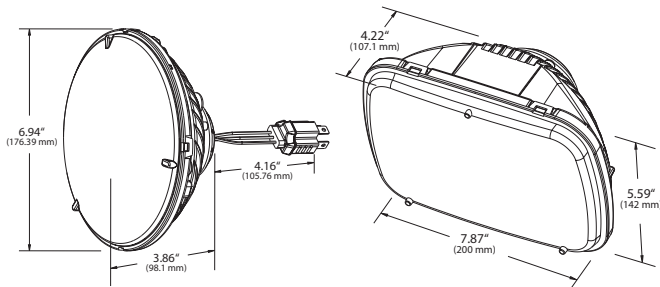


FEATURES & BENEFITS

- Designed to swap into existing housings that H6024 (90941-5) and H6054 (90951-5) currently fit into.
- Designed for a standard H4 connection, no additional wiring needed for vehicles featuring standard H4 wiring.
- Long lasting LEDs and impact resistant polycarbonate lens outperform OEM halogen and incandescent bulbs in longevity, light output and pattern.



90941-5



90941-5

90951-5



90951-5

Part Number	FMVSS/SAE	Product Description	Low Beam Watt	High Beam Watt	Voltage (V)	Amperage (A)
90941-5 NEW	2D-1	Grote 7 LED Head Lamp	15	27	9-32	1.4 @12.8 low 2.13 @12.8 low
90951-5 NEW	2B-1	Grote 5/7 LED Head Lamp	21	33	9-32	1.59 @12.8 low 2.54 @12.8 high
99401-5 NEW	2A-1	Grote 4x6 LED Head Lamp Combination	18.84@12V 18.84@24V	18.84@12V 18.84@24V	9-32	1.57 @12V 0.77 @24V
99411-5 NEW	1A-1	Grote 4x6 LED Head Lamp High Beam	N/A	17.16@12V 16.08@24V	9-32	1.43 @12V 0.67 @24V
99421-5 NEW	2A-1	Grote 4x6 LED Head Lamp Low Beam	13.08@12V 12.72@24V	N/A	9-32	1.09 @12V 0.53 @12V

All figures listed are based on nominal voltage

Accessories

Part Number	Description
68630	self-addressable pigtail for vehicles with non-standard H4 wiring

Materials	Certifications
Housing anodized aluminum, Lens uv-coated polycarbonate	7" lamp meets DOT, FMVSS, SAE standards for 2D-1
	5x7 lamp meets DOT, FMVSS, SAE standards for 2B-1

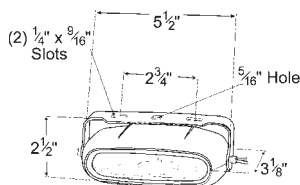
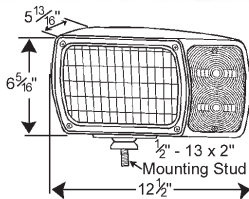
Forward Lighting

Phares Utilitaires Faros Delanteros

per-lux
BY **Grote**



64291-4



PER-LUX® SNOWPLOW LAMPS

Resilient, polycarbonate housing and halogen sealed beam withstands hours of use at sub-zero temperatures • Features integrated parking and turn signal lights • Rubber shock mount and center mounting stud absorbs road shock • Optional 5-way Packard® Connector

SEALED BEAM:

64261-4	Pair Pack
64241	LH
64251	RH

SEALED BEAM WITH CONNECTOR:

64291-4	Pair Pack
64271	LH
64281	RH

Material: Polycarbonate
 FMVSS: H, I2, P
 Finish: Black
 Bulb: H6545, Major - 65 Watt, 40,000 C.P./Minor - 45 Watt, 25,000 CP
 Volts / Amps: 12V / 5.0/3.5A
 Bulb: 1157, 32/3 CP; Volts / Amps: 12V / 2.1/.59A; Pigtail: 68680 (64291-4)
 Lens: Yellow 90483

SNOWPLOW LAMP KIT WITH UNIVERSAL WIRING HARNESS

Integrated turn signal/parking lamp lens • Vibration-dampening mounting system prolongs bulb life • Kit includes left and right side lamps, heavy-duty selector switch, wiring connectors, mounting hardware, and easy installation instructions

63451-4	Pair Pack
----------------	-----------

REPLACEMENT LAMP:

63381	LH
63391	RH

Material: Polycarbonate
 FMVSS: H, I2, P
 Finish: Black
 Bulb: H6054, Major - 65 Watt/Minor - 35 Watt; Volts / Amps: 12V / 5/2.7A
 Bulb: 1157, 32/2 CP; Volts / Amps: 12V / 2.1/.59A
 Bulb: 1156, 32 CP; Volts / Amps: 12V / 2.1A
 Lens: Yellow 93163

SLIM-LINE HALOGEN FOG LIGHTS

Housing made of die-cast aluminum • Ion coated lens • Kit includes lamps, switch, wiring, and instructions • Not compliant for FMCSA 393.24(b) applications

64371-5	Clear, Fog Lamp Kit FOG RETAIL
----------------	--

Material: Die-Cast Aluminum
 FMVSS: F
 Finish: Black
 Bulb: H3, 55 Watt, 121 CP; Volts / Amps: 12V / 4.7A
 Accessory: Bulb: 90861-5/90971-5
 Lens: Clear 93131

MINI HALOGEN FOG AND DRIVING LAMP KIT

Low-profile styling • High-impact nylon housing • Kit includes lamps, rocker switch and installation kit • Not compliant for FMCSA 393.24(b) applications

64061-5 Clear, Driving Lamp Kit **FOG RETAIL**

Material: Nylon
 Finish: Black
 Bulb: H3, 55 Watt, 121 CP
 Volts / Amps: 12V / 4.7A
 Accessory: Bulb: 90861-5/90971-5

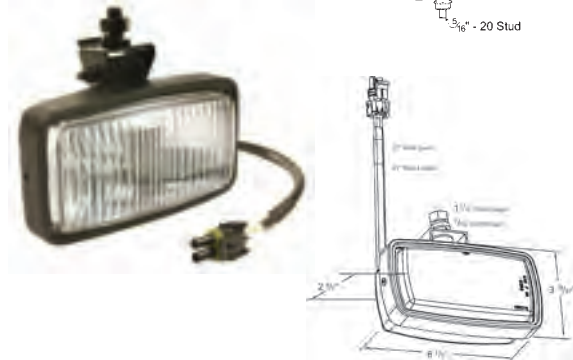


HALOGEN FOG LAMP

Glass lens resists hazing • Aluminized reflector for increased brightness
 • Black powder coated hardware • Industry-standard electrical connector
 • Watertight design on the front of the lamp • Meets FMCSA 393.25 (b)

63531 Black **FOG**

Material: Glass/Plastic Housing
 FMVSS: F
 Finish: Black
 Bulb: H3, 55 Watt, 121 CP
 Volts / Amps: 12V / 4.7A



SPORT AND UTILITY LAMP KIT

Rugged, high-impact plastic construction • Hardened glass lens
 • Mounts above or below bumper • Kit includes lamps, rocker switch and installation kit • Meets FMCSA 393.25(b) applications

64351-5 Clear, Fog Lamp Kit **FOG RETAIL**

64401-5 Clear, Driving Lamp Kit **RETAIL**

Material: ABS
 Finish: Clear
 Bulb: H3, 55 Watt, 121 CP
 Volts / Amps: 12V / 4.7A
 Accessory: Bulb: 90861-5/90971-5



PAR 56 7" HEADLAMP

7-inch headlamp • Includes sealed beam #6014 for 12-volt systems
 • Ideal for many trucks, road maintenance vehicles, off-road equipment, in-plant vehicles, material handling trucks, mine cars, dune buggies, etc.

64071 Black, Powder Coated

Material: Steel
 Finish: Black
 Bulb: 6014, PAR 56, 50 Watt/60 Watt, 25,000/32,000 CP
 Volts / Amps: 12V / 4.7/3.9A



ROUND OFF-ROAD LAMP

Rugged steel housing • Universal-swivel, rubber-cushioned mounting pedestal

64481-5 Black **RETAIL**

64501-5 Chrome **RETAIL**

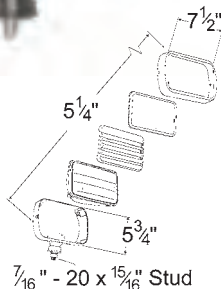
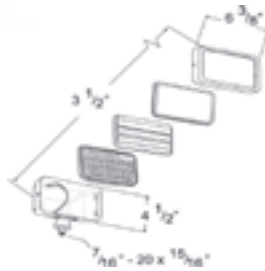
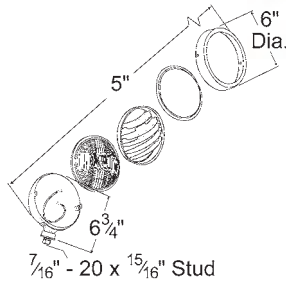
Material: Steel
 FMVSS: O
 Finish: Chrome, Black
 Bulb: H3, 100 Watt, 192 CP; Volts / Amps: 12V / 8.33A
 Accessory: Bulb: 92701-5
 Lens: Clear 93171



Forward Lighting

Phares Utilitaires Faros Delanteros

per-lux
BY **Grote**



PER-LUX® 200 SERIES FOG AND DRIVING LAMPS

Louvers direct the beam low to the road so reflected glare from fog, rain, or snow is safely avoided • Pierces 100 feet through the densest fog • Rugged stainless steel housing

HALOGEN:

02001-4 Clear, Fog / Driving Lamp, Swivel Mount, Pair Pack **FOG**

Material: Stainless-Steel
Finish: Stainless
Bulb: H7621-1, 20,000 CP
Volts / Amps: 12V / 3.9A; 50 Watt
Accessory: Springs for Sealed Beam Ret. For Swivel Mount Lamps 09510 (pair pack);
Lens: Clear Glass 09561

PER-LUX® 500 SERIES FOG AND DRIVING LAMPS

Pair Packs include wiring kits • All lamps come with swivel mount • Fog lamp beam pattern pierces through fog, rain, snow, or dust effectively, focused ahead and low to the road, and giving a side-to-side as well as forward illumination

HALOGEN:

05001-5 All Weather Louvered, H9421, Pair Pack, Stainless Steel **RETAIL**
05151 All Weather Louvered, H9421, Single, Stainless Steel **RETAIL**
05301-5 All Weather Louvered, H9421, Pair Pack, Powder Coated **RETAIL**
05041-5 Driving Lights, H9420, Pair Pack, Stainless Steel **RETAIL**
05051-5 Fog Lamps, H9415, Pair Pack, Stainless Steel **FOG RETAIL**

Material: Stainless Steel
Finish: Stainless / Powder Coat
Bulb: H9421 - 14,000 CP; Volts / Amps: 12V / 3.9A; 50 Watt
Bulb: H9420 - 47,000 CP; Volts / Amps: 12V / 3.9A; 50 Watt
Bulb: H9415 - 12,000 CP; Volts / Amps: 12V / 2.9A; 37.5 Watt
Accessory: Springs for Sealed Beam 09510; Black Louver 09712
Lens: Glass Lens Clear 09681
Sealed Beam: All-Weather, Halogen, Sealed Beam Clear H9421 Fog Lamp, Halogen, Sealed Beam Clear H9415

PER-LUX® 600 SERIES FOG AND DRIVING LAMPS

Louvers direct the beam low to the road so reflected glare from fog, rain or snow is safely avoided • Pierces 100 feet through the densest fog • Rugged stainless steel housing • Pair packs come with wiring kits • Meets FMCSA 393.25(b) applications (except 06001-4 & 06013-4)

INCANDESCENT

06021-4 Clear, All-Weather Lamp, Swivel Mount, Pair Pack **FOG**

HALOGEN:

06001-4 Clear, All-Weather Lamp, Swivel Mount, Pair Pack
06201 Clear, All-Weather Lamp, Swivel Mount
06013-4 Yellow, All-Weather Lamp, Swivel Mount, Pair Pack

Material: Stainless Steel
Finish: Stainless
Bulb: #H7921-1, 23,900 CP; Volts / Amps: 12V / 3.9A; 50 Watt
Bulb: #4921-1, 25,000 CP; Volts / Amps: 12V / 7.7A; 100 Watt
Accessory: Black Louver 09802
Lens: Clear, Glass 09781; Yellow, Glass 09793
Sealed Beam: Clear, All-Weather, Incandescent 4921-1; Clear, All-Weather, Halogen 6006H



PER-LUX® 700 SERIES FOG AND DRIVING LAMPS

Fog lamp beam pattern pierces through fog, rain, snow or dust effectively, focused ahead and low to the road giving side-to-side as well as forward illumination • Off-road spot lamps provide pure focused light that pierces far into the night for long distance viewing of a specific area, great for off-road and 4-wheel-drive applications • Off-road wide flood lamp applications provide wide illumination for RVs, motor-homes, tractors, utility, and off-road construction great for backing, loading, fueling, or troubleshooting

- Rugged stainless steel housing
- Pair packs come with wiring kit
- Meets FMCSA 393.25(b)- (except 07021-4 & 07031-4)

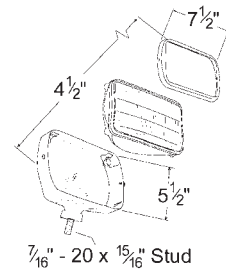
INCANDESCENT:

07001-4 Clear, All-Weather Lamp, Swivel Mount, Pair Pack **FOG**
07401 Clear, Fog Lamp, Rigid Mount **FOG**

HALOGEN:

07021-4 Clear, Spot Lamp, Swivel Mount, Pair Pack

Material: Stainless Steel
 FMVSS: Street Legal (except for 07021-4, 07031-4)
 Finish: Stainless
 Bulb: #4912-1, 14,000 CP; Volts / Amps: 12V / 3.9A; 50 Watt
 Bulb: #H7935-1, 175,000 CP; Volts / Amps: 12V / 3.9A; 50 Watt
 Bulb: #H7921-1, 23,900 CP; Volts / Amps: 12V / 3.9A; 50 Watt
 Sealed Beam: Clear, Fog, Incandescent 4912-1;
 Clear, Spot, Halogen H7935-1



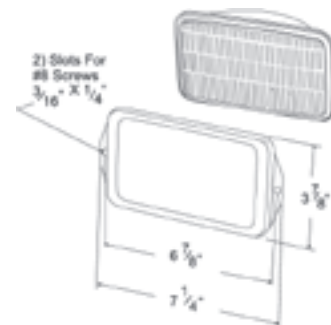
PER-LUX® DOCKING LIGHT

Flush mounted • Multi-purpose docking/utility light

HALOGEN:

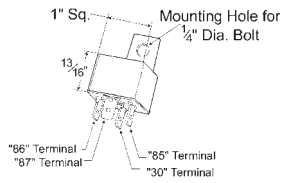
07803 Lamp w/ Stainless Steel Bezel

Material: Stainless Steel
 Finish: Stainless
 Bulb: H9406, 1,350CP
 Volts / Amps: 12V / 3.9A; 50 Watt



Forward Lighting

Phares Utilitaires Faros Delanteros



FOG AND DRIVING LAMP RELAY

30 AMP relay • Guards against arcing and overloads

44840-5 RETAIL

Volts / Amps: 12 V / 30A max



REPLACEMENT 12-VOLT HALOGEN BULBS

Replacement bulb for auxiliary lights

- 90861-5** 55 Watt, Bullet Terminal RETAIL
- 90971-5** 55 Watt, Spade Terminal RETAIL
- 92701-5** 100 Watt, Spade Terminal RETAIL
- 90620** 55 Watt, High Output

Bulb: 90861-5, 90971-5 - H3, 55 Watt, 121 CP; Volts / Amps: 12V / 4.7A
 Bulb: 92701-5 - H3, 100 Watt, 187 CP; Volts / Amps: 12V / 7A
 Bulb: 90620- H1, 55 Watt, 121 CP; Volts / Amps: 12V / 5.2A



REPLACEMENT 24-VOLT HALOGEN BULBS

- 91051** 70 Watt, Spade Terminal 24 VOLT
- 90901** 50 Watt, Standard Socket 24 VOLT

Bulb: 91051 - H3, 70 Watt, 135 CP; Volts / Amps: 24V / 2.7A
 Bulb: 90901 - 50 Watt; Volts / Amps: 24V / 2A

Electronic Characteristics
 12/24 Volts, 1.5/0.75 Amps, 18 Watts
 Overvoltage Protection