

IP-SF-3™

GVA Lighting, Inc.
 3400 Ridgeway Drive, # 14
 Mississauga, Ontario L5L 0A2 Canada
 1 877 482 5448 | support@gvalighting.com

OVERVIEW

IP-SF™ 3 is a low voltage, low wattage LED light module offering an energy efficient, reliable and low cost lighting solution for both indoor and outdoor installations. Typical applications include cove and under-cabinet lighting, backlighting and channel letter signs, delineation and any application where moisture or extreme temperatures may occur. This guide contains important information on planning and installing your new IP-SF™ 3 LED fixture. For your protection, read it carefully and save it for future reference.



Fixtures

2700k	<input type="checkbox"/>	6500k	<input type="checkbox"/>
3000k	<input type="checkbox"/>	RD	<input type="checkbox"/>
3500k	<input type="checkbox"/>	GR	<input type="checkbox"/>
4000k	<input type="checkbox"/>	BL	<input type="checkbox"/>
5000k	<input type="checkbox"/>	AM	<input type="checkbox"/>
		IP-SF-3	<input type="checkbox"/>

Brackets

Other

SUPPLIED PARTS

RELATED PARTS



LP1040-12



CLG-60-12



PLC-60-12



WARNING

- Do not attempt to install or use Luminaire until you read and understand this installation guide and safety labels.
- Luminaires must be installed by a qualified professional in accordance with all national and local electrical and construction codes and regulations.
- Ensure that main power supply is OFF before installing or wiring Luminaire(s).
- Do not exceed the specified voltage and current input.
- Do not use a luminaire with a damaged body or cable.
- Not heeding cautions may result in a hazardous situation which can cause property damage, injury or death.

Caution



- Do not exceed the specified voltage and current input.
- Do not exceed the maximum number of specified fixtures in a light run. Doing so will result in a current overload.
- GVA Luminaires have no serviceable parts. Do not attempt to open the units.
- Do not hot swap! Ensure power supply is off before connecting or disconnecting fixtures.
- Do not stare into beam or view directly with optical instruments.
- Unauthorized field repairs will void warranty.

IP-SF-3™

GVA Lighting, Inc.
3400 Ridgeway Drive, # 14
Mississauga, Ontario L5L 0A2 Canada
1 877 482 5448 | support@gvalighting.com

Fixture Installation in Parallel

⚠️ WARNING: In cabinet or under cabinet configurations, to prevent risk of fire, do not install the IP-SF-3 fixture(s) in a compartment smaller than 305mm x 305mm x 305mm (12in x 12in x 12in).

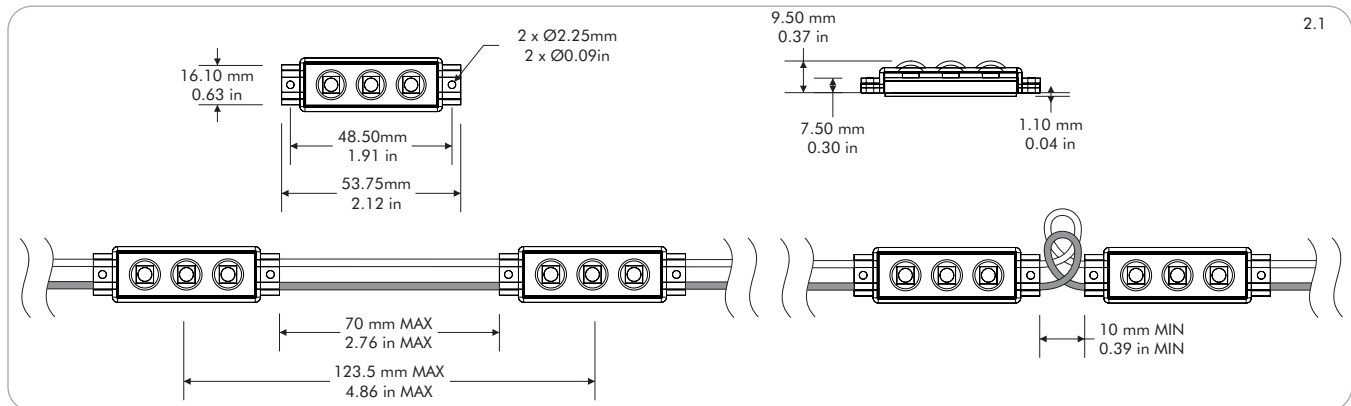
⚠️ Caution: If wiring is concealed, not concealed with total exposed length not exceeding 3m (10 ft.) or routed through building members, use listed CL2X or equivalent cables (Article 725 of NEC) for connection to the Class 2 power supply.

⚠️ Caution: If wiring is not concealed and has a total exposed length exceeding 3m (10 ft.), use SPT2 cables or better.

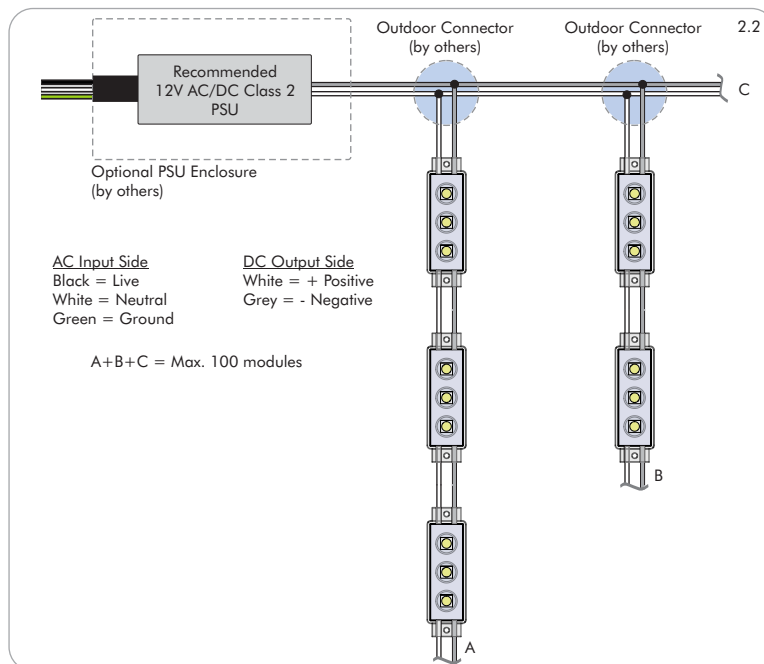
⚠️ Caution: IP-SF-3™ luminaires require 12VDC at 40mA maximum. Power should only be supplied from GVA Lighting recommended class 2 power supply units.

⚠️ Caution: Ensure main power supply is turned OFF before making any connections. Connecting the luminaire while the power is turned ON may result in equipment damage.

1. Install IP-SF-3 modules with M2, Self Tapping 2.2 or #2 hardware suitable for mounting surface. Refer to diagram 2.1 for minimum and maximum distance between each module and for the mounting hole pattern.



1. For parallel system installation, refer to diagram 2.2. A maximum of 100 modules can be connected to a single power supply.



Fixture Installation in Series

⚠️WARNING: In cabinet or under cabinet configurations, to prevent risk of fire, do not install the IP-SF-3 fixture(s) in a compartment smaller than 305mm x 305mm x 305mm (12in x 12in x 12in).

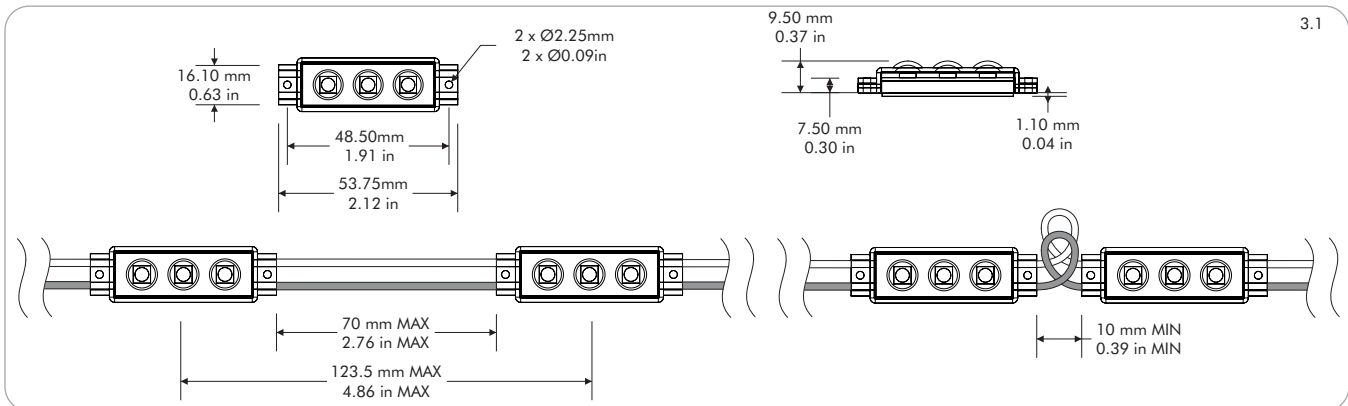
⚠️Caution: If wiring is concealed, not concealed with total exposed length not exceeding 3m (10 ft.) or routed through building members, use listed CL2X or equivalent cables (Article 725 of NEC) for connection to the Class 2 power supply.

⚠️Caution: If wiring is not concealed and has a total exposed length exceeding 3m (10 ft.), use SPT2 cables or better.

⚠️Caution: IP-SF-3™ luminaires require 12VDC at 40mA maximum. Power should only be supplied from GVA Lighting recommended class 2 power supply units.

⚠️Caution: Ensure main power supply is turned OFF before making any connections. Connecting the luminaire while the power is turned ON may result in equipment damage.

1. Install IP-SF-3 modules with M2, Self Tapping 2.2 or #2 hardware suitable for mounting surface. Refer to diagram 3.1 for minimum and maximum distance between each module and for the mounting hole pattern.



1. For in series system installation, refer to diagram 3.2. A maximum of 100 modules can be connected to a single power supply.

