

Power Semiconductor Accessories

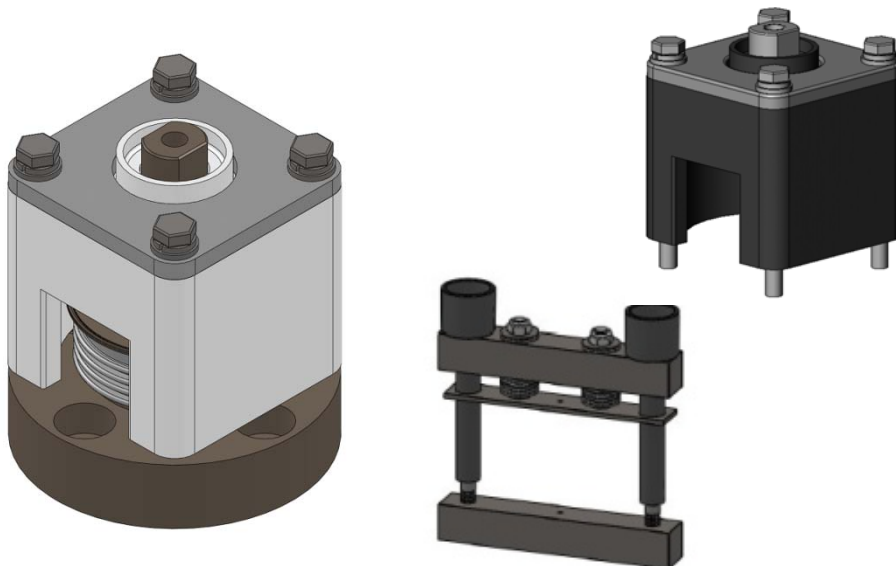
March 2013 – Issue 2

As part of our continuing commitment to meet our customers' demands, IXYS UK offers a range of complimentary products to support our high power semiconductor devices

These parts are designed to match our extensive range of devices in order to achieve maximum performance capability

As well as our standard range of clamps and accessories, IXYS UK also introduces a new range of pre-assembled bar clamps (P.2), designed for use with our capsule semiconductors and a new range of flat base clamp assemblies (P. 4)

These quality products are available to help reduce vendor count and offer a one stop supplier for all you power semiconductor needs



Products available:

- Bar Clamps
- Standard Base Clamp Assemblies
- Box Clamps
- Coolers
- Heatsinks
- Insulator Capsules
- PTFE Tubing
- Leads
- Mounting Grease

IXYS UK can also provide snubber and power capacitors, ultra rapid semiconductor protection fuses, trigger circuits, gate drives and a host of other accessories to supply customers with a complete total solution. Please consult factory or visit our website, www.ixysuk.com, for more information

Applications



IXYS UK's range of clamps and accessories are used worldwide with the array of semiconductor devices we can offer in applications such as rectification, energy generation, industrial drives, excitation and many more



Bar Clamps – New Range

These new clamps enhance IXYS UK’s already comprehensive range of semiconductor clamp. These clamps are pre-assembled, ready for installation with your chosen device

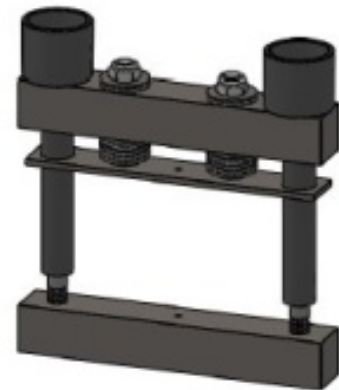
Range	Part number	#### = Force (kgf)	Max cell dia (mm)	T _{JMAX} (°C)	Outline
XSK042	XSK####DA042Mxxx	0500/0900	42	190	WC58
	XSK####DT042Mxxx	0500/0900	42	190	WC59
	XSK####DF042Mxxx	0500/0900	42	190	WC60
XSK054	XSK####DA054Mxxx	0900	54	190	WC58
	XSK####DT054Mxxx	0900	54	190	WC59
	XSK####DF054Mxxx	0900	54	190	WC60
XSK056	XSK####DA056Mxxx	0500/0900/1500	56	190	WC58
	XSK####DT056Mxxx	0500/0900/1500	56	190	WC59
	XSK####DF056Mxxx	0500/0900/1500	56	190	WC60
XSK065	XSK####DA065Mxxx	0500/0900/1500	65	190	WC58
	XSK####DT065Mxxx	0500/0900/1500	65	190	WC59
	XSK####DF065Mxxx	0500/0900/1500	65	190	WC60
XSK075	XSK####DA075Mxxx	0900/1500/2200	75	190	WC58
	XSK####DT075Mxxx	0900/1500/2200	75	190	WC59
	XSK####DF075Mxxx	0900/1500/2200	75	190	WC60
XSK087	XSK####DA087Mxxx	1500/2200/3000	87	190	WC61
	XSK####DT087Mxxx	1500/2200/3000	87	190	WC62
	XSK####DF087Mxxx	1500/2200/3000	87	190	WC63
XSK103	XSK####DA103Mxxx	2200/3200/4000	103	190	WC61
	XSK####DF103Mxxx	2200/3200/4000	103	190	WC63
XSK112	XSK####DA112Mxxx	2800/3200/3800/4500	112	190	WC61
	XSK####DF112Mxxx	2800/3200/3800/4500	112	190	WC63
XSK120	XSK####DA120Mxxx	3800/4500/5000	120	190	WC61
	XSK####DF120Mxxx	3800/4500/5000	120	190	WC63
XSK126	XSK####DA126Mxxx	3800/4500/5000	126	190	WC61
	XSK####DF126Mxxx	3800/4500/5000	126	190	WC63



DA Style



DF Style



DT Style

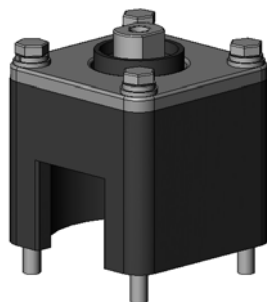
For outline drawings and dimensions please see the IXYS Selector guide

Bar Clamps for **WESPACK** devices and **GTO Thyristors**

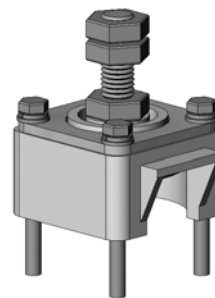
Part Number	Rod Size & Length mm	Insulator Size & Length mm	Fixing centres	Pole Face	Clamp Forces	"Z" mm	"D" mm	Fig No.
XSK1500DA076038	M8 x 90	M8 x 60	89	32	10kN to 20kN	38	27.5	WC51
XSK1500DA076076	M8 x 130	M8 x 95				76	62.5	
XSK1500DA076101	M8 x 160	M8 x 120				101	87.6	
XSK2000DA076038	M8 x 95	M8 x 60	89	38	13kN to 20kN	38	25.9	WC52
XSK2000DA076076	M8 x 130	M8 x 95				76	61.0	
XSK2000DA076101	M8 x 160	M8 x 120				101	85.9	
XSK3000DA076038	M8 x 100	M8 x 65	89	50	27kN to 34kN	38	26.2	WC53
XSK3000DA076076	M8 x 130	M8 x 100				76	56.1	
XSK3000DA076101	M8 x 160	M8 x 125				101	86.1	
XSK3400DA076038	M8 x 100	M8 x 65	89	50	25kN to 31kN	38	24.6	WC54
XSK3400DA076076	M8 x 140	M8 x 105				76	64.5	
XSK3400DA076101	M8 x 160	M8 x 130				101	89.7	
XSK3800DA116M076	M10 x 150	M12 x 100	132	66	32kN to 38kN	76	59.7	WC55
XSK3800DA116M101	M10 x 180	M12 x 125				101	84.6	
XSK4400DA116M076	M10 x 150	M12 x 105	132	68	36kN to 44kN	76	63.0	WC56
XSK4400DA116M101	M10 x 180	M12 x 130				101	87.9	
XSK6000DA116M076	M10 x 150	M12 x 105	132	75	50kN to 60kN	76	59.9	WC57
XSK6000DA116M101	M10 x 180	M12 x 130				101	84.8	

Box Clamps

Part No.	Moulded Box Style	Fixing Centres mm	Rod Size	Capsule Device			Outline Ref
				Outline	Mounting Surface Diameter mm	Nominal Thickness mm	
XK0450BA019M	Injection	50 PCD	M5x50 Bolts	DO-200AA/TO-200AB	19.0	13.8	WC48
XK0450BB019M	Compression						
XK0450BA025M	Injection	50 PCD	M5x50 Bolts	DO-200AA/TO-200AB	25.1	14.6	WC49
XK0450BB025M	Compression						
XK1500BA034M	Injection	70 PCD	M6x50 Bolts	DO-200AB/TO-200AC	34.0	26.2	WC50



WC50



WC48/49

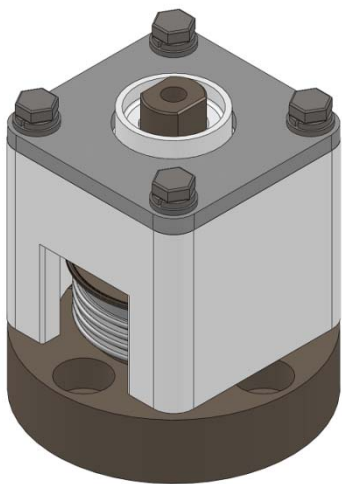
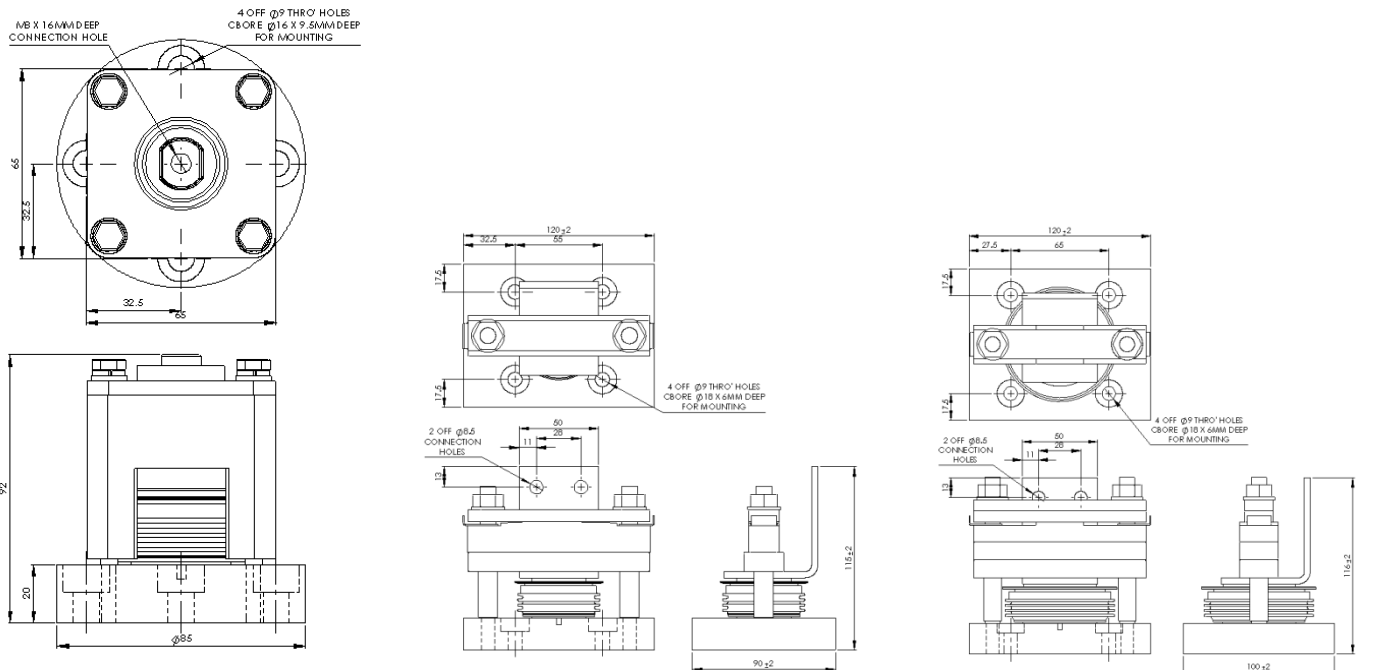
For outline drawings and dimensions please see the IXYS Selector guide

NEW - Standard Base Clamp Assemblies for Rectifier Diodes and Phase Control Thyristors

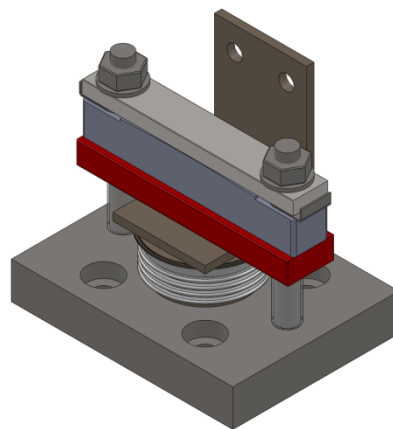
These Single side cooled square base mounting clamps are suitable for 34 mm to 50 mm pole face devices with clamping force in the range from 1130 Kgf to 2140 Kgf. Suitable for devices with blocking voltages from 400 volts up to 6 KV

Part No.	Poleface reference	Outline
XK1500CB034M †	34-38	WC64
XK1130SB076M	34-38	WC65
XK2140SB076M	47-50	WC66

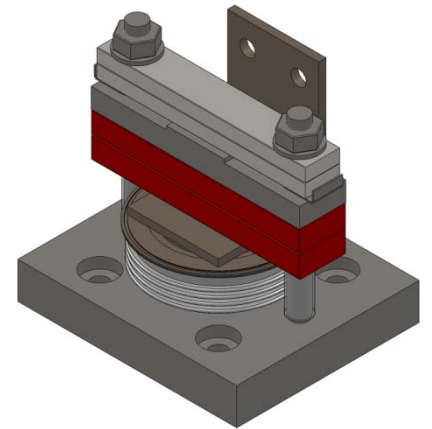
† - Supplied as kit of parts



WC64 – 143A188



WC65 – 143A186

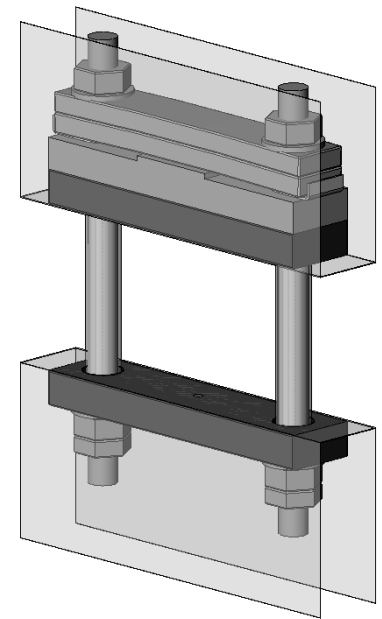


WC66 – 143A187

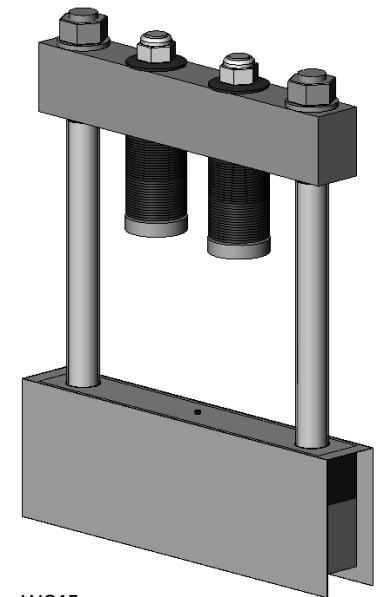
Drawings are for illustrative purposes only. Clamps do not come with semiconductor devices unless specifically ordered with correct part numbers – Contact factory for details

Standard Bar Clamps

Type Part No.	Fixing Centres mm	Rod Size	Capsule Device				Outline No.
			Outline	Mounting Surface Diameter mm	Nominal Thickness mm	T _J Max	
XK0450DA056M XK0450DT056M XK0450SA056M	65	M8	DO-200AA/TO-200AB	19.0	13.8	190	WC2 WC3 WC1
XK0550DA056M XK0550SA056M	65	M8	GTO	29.5	16.0	190	WC5 WC4
XK0900DA056M x XK0900DT056M x XK0900SA056M	65	M8	Diode/Thyristor	25.1	14.6	190	WC7 WC8 WC6
XK0600DA074M XK0600SA074M	89	M10	Press-Pack IGBTs	47.0	27.0	190	WC10 WC9
XK1000DA074M XK1000SA074M	89	M10	Press-Pack IGBTs	47.0	27.0	190	WC12 WC11
XK1100DA076M	89	M10	DO-200AB/TO-200AC	34.0	26.2	190	WC13
XK1130DA076M XK1130DT076M XK1130SA076M	89	M10	DO-200AB/TO-200AC	34.0	26.2	190 190 190	WC15 WC16 WC14
XK1800DA076M XK1800DT076M XK1800SA076M	89	M10	Wespack PCT	38.0	14.0	190	WC18 WC19 WC17
XK2100DA076M XK2100DA076ML XK2100SA076M XK2100SA076ML	89	M10	GTO	47.0	27.0	190 125 190 125	WC21 WC20
XK2140DA076M x XK2140DA076ML x XK2140DT076M x XK2140DT076ML x XK2140SA076M XK2140SA076ML	89	M10	DO-200/Thyristor	47.0	26.8	190 125 190 125	WC23 WC24 WC22
XK2700DA076M XK2700DT076M XK2700SA076M	89	M10	Wespack PCT	50.0	14.0	190	WC26 WC27 WC25
XK2000DA114M XK2000SA114M	132	M12	Press-Pack IGBTs	75.0	26.0	190	WC29 WC28
XK2500DA114M XK2500SA114M	132	M12	Press-Pack IGBTs	75.0	26.0	190	WC31 WC30
XK2500DA116M XK2500DA116ML XK2500SA116M XK2500SA116ML	132	M12	GTO	63.0	26.0	190 125 190 125	WC33 WC32
XK3000DA116M x XK3000DA116ML x XK3000SA116M XK3000SA116ML	132	M12	DO-200AD/Thyristor	63.0	33.0	190 125 190 125	WC35 WC34
XK3500DA116M XK3500DA116ML XK3500SA116M XK3500SA116ML	132	M12	GTO	75.0	26.0	190 125 190 125	WC37 WC36
XK4000DA116M x XK4000DA116ML x XK4000SA116M XK4000SA116ML	132	M12	Diode/Thyristor	73.0	36.8	190 125 190 125	WC39 WC39
XK5000DA128M XK5000DA128ML	146	M16	GTO	75.0	26.0	190 125	WC40
XK7000DA128M XK7000DA128ML	146	M16	Diode/Thyristor	75.0	26.6	190 125	WC41
XK3060DA140ML XK3060SA140ML	154	M12	Press-Pack IGBTs	85.1	26.0	125	WC43 WC42
XK9000SA160M XK9000SA160ML	180	M16	Thyristor	99.3	35.8	190 125	WC44
XK9000DA160M XK9000DA160ML	180	M16	Thyristor	99.3	35.8	190 125	WC45
XK6120DA180ML XK6120SA180ML	196	M16	Press-Pack IGBTs	125.0	26.0	125	WC46 WC47



WC18



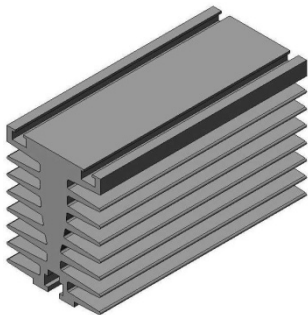
WC45

x - Not for new design. See our new range on page 2

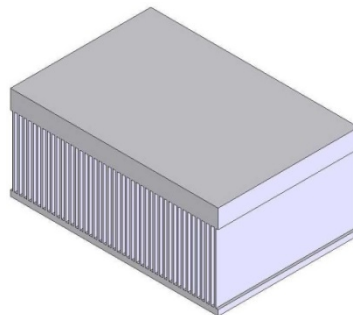
For outline drawings and dimensions please see the IXYS Selector guide

Heatsinks

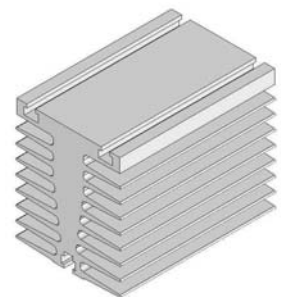
Part No.	Weight Kg/m	Periphery mm	Area mm ²	Fig.
XSFGxxxxAN	8.1	1059	2979	WH1
XSFGAxxxxAN	15.6	1682	5867	WH2
XSFHxxxxAN	12.7	1684	4655	WH3
XSFTxxxxAN	20	2065	7573	WH4
XSFTBxxxxAN	29	2467	10905	WH5
XSFTCxxxxAN	28	2544	10561	WH6
SXFLPxxxxAN	30	6620	11172	WH7
SXF46xxxxAN	20	2822	7411	WH8
SXF30xxxxAN	Dimensions 125mm x 125mm x 4 vanes			WH9



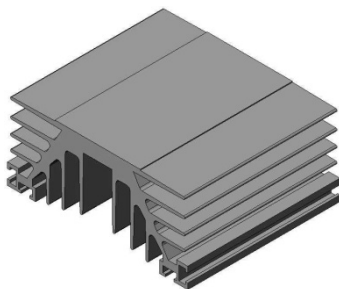
WH1



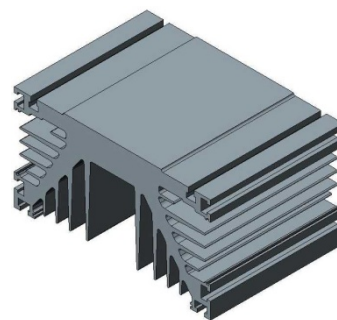
WH7



WH2



WH3

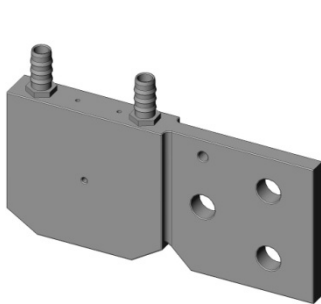


WH6

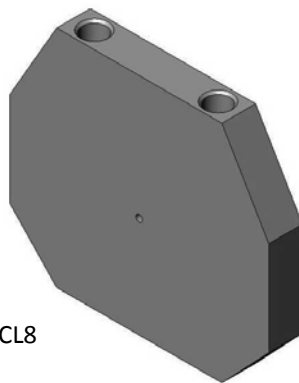
For outline drawings and dimensions please see the IXYS Selector guide

Coolers

Part No.	Weight Kg	Cooler Thickness mm	Busbar Thickness mm	Description	Fig. No.
XW076NC16A	0.418	16	N/A	47mm WC Cu	WCL2
XW076NC16B	0.612	16	6.4	47mm WC Cu with Busbar (10mm Hose)	WCL1
XW076NC16BS		16		47mm WC Cu with Busbar + spirol pins fitted (10mm Hose)	WCL1
XW076NC16BT		16		47mm WC Cu with Busbar + thermostat hole (10mm Hose)	WCL1
XW076NC16C		16		47mm WC Cu with Busbar (1/2" Hose)	WCL1
XW076NC16CT		16		47mm WC Cu with Busbar + thermostat hole (1/2" Hose)	WCL1
XW076NC16R		0.581		16	6.35
XW076NC16W	0.400	16	N/A	47mm WC Cu reversed	WCL13
XW116ZC20A	1.300	20	N/A	73mm WC Cu	WCL4
XW116ZC20B	1.750	20	10	73mm WC Cu with Busbar	WCL3
XW116ZC20C	2.120	20	10	73mm WC Cu with alt. Busbar	WCL5
XW116ZC20R	1.672	20	10	73mm WC Cu reversed with Busbar	WCL14
XW116ZC20W	1.119	20	N/A	73mm WC Cu reversed	WCL15
XW127EN15A	0.375	15	N/A	85mm WC Al Nitride	WCL8
XW127EN15B		15		85mm WC Al Nitride without holes	
XW127EC25A	1.650	25	N/A	85mm WC Cu Helix	WCL16
XW127EC25B	2.200	25	8	85mm WC Cu with Busbar Helix	WCL17
XW127EA25A	0.500	25	N/A	85mm WC Al Helix	WCL16
XW127EA25B	0.650	25	8	85mm WC Al with Busbar Helix	WCL17
XW160FC25A	3.620	25	N/A	100mm WC Cu	WCL6
XW160FC25B	4.520	25	10	100mm WC Cu with Busbar	WCL7
XW180GC34A	4.920	34	N/A	125mm WC Cu Helix	WCL11
XW180GC34B	5.950	34	10	125mm WC Cu with Busbar Helix	WCL10
XW180GA34A	1.500	34	N/A	125mm WC Al Helix	WCL11
XW180GA34B	1.800	34	10	125mm WC Al with Busbar Helix	WCL10
XW180GN25A	0.920	25	N/A	125mm WC Al Nitride Helix	WCL18
XW270QA25A	2.941	25	n/a	270 x 190mm WC Al Cold Plate	WCL9



WCL5



WCL8



WCL10

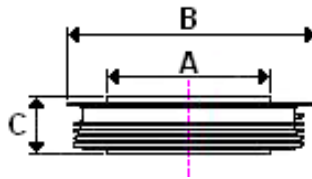
Part No.	Cooler Accessories
XSNM12H10S	M12 Cooler Connection, 10mm Hose & Stainless Steel material
XSNM12H12S	M12 Cooler Connection, 12mm Hose & Stainless Steel material
XSNM10H15P	M10 Cooler Connection, 15mm Hose & Plastic Material

For outline drawings and dimensions please see the IXYS Selector guide

Standard Accessories and leads

Part No.	Old Part No.	Accessory	A	B	C
XSGSCX13		Press Pack Semiconductor Mounting Grease			
XST1000M08P	PTFE1000M8	M8 PTFE tube x 1m length insulation			
XST1000M10P	PTFE1000M10	M10 PTFE tube x 1m length insulation			
XST1000M12P	PTFE1000M12	M12 PTFE tube x 1m length insulation			
XST1000M16P	PTFE1000M16	M16 PTFE tube x 1m length insulation			
L0001YC600XXX	n/a	25mm diameter poleface Insulator Capsule	30	42	15.1
L0001QC600XXX	n/a	38mm diameter poleface Insulator Capsule	38	58.5	14.5
L0001NC600XXX	n/a	47mm diameter poleface Insulator Capsule	47	74	27.7
L0001HC600XXX	n/a	68mm diameter poleface Insulator Capsule	68	100	14.5
L0001ZF600XXX	n/a	73mm diameter poleface Insulator Capsule	73.1	110.5	35
L0001TC600XXX	n/a	75mm diameter poleface Insulator Capsule	75	112	26.6

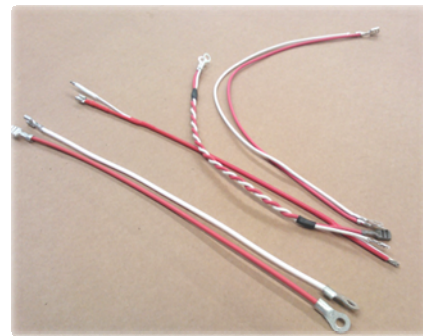
All dimensions in mm



Part No.	Old Part No.	Accessory	Device Type
XSL200D8WRC	U9948	200mm long single Co-Axial cable, Red / White, M5 ring terminal for Ø75 IGBT & below	IGBT
XSL200D8WRCP	U9947	200mm long double Co-Axial cable, Red / White, M5 ring terminal for Ø85 IGBT & above	IGBT
XSL220C2WRT		220mm long twisted pair, Silicone sleeve cable 16/0.2, Red / White, M4 ring terminal	Thyristor
XSL300C2WRP	U9900	300mm long pair, Silicone sleeve cable 16/0.2, Red / White, M4 ring terminal	Thyristor
XSL300C2WS	U9900 (Gate Only)	300mm long gate wire, Silicone sleeve cable 16/0.2, White, M4 ring terminal	Thyristor
XSL350C2WRP	U9723	350mm long pair, Silicone sleeve cable 16/0.2, Red / White, M4 ring terminal	Thyristor
XSL400C2WRP	U9860	400mm long pair, Silicone sleeve cable 16/0.2, Red / White, M4 ring terminal	Thyristor
XSL500C2WRP	U9855	500mm long pair, Silicone sleeve cable 16/0.2, Red / White, M4 ring terminal	Thyristor
XSL600C2WRP	U9775	600mm long pair, Silicone sleeve cable 16/0.2, Red / White, M4 ring terminal	Thyristor
XSL1000C2WRP	U9734/U9801/U9849	1000mm long pair, Silicone sleeve cable 16/0.2, Red / White, M4 ring terminal	Thyristor
XSL1000C2WRT	U9952	1000mm long twisted pair, Silicone sleeve cable 16/0.2, Red / White, M4 ring terminal	Thyristor
XSL1100C2WRT	U9779	1100mm long twisted pair, Silicone sleeve cable 16/0.2, Red / White, M4 ring terminal	Thyristor



PTFE Tubing



Standard gate leads



Certificate FM26085

IXYS UK Westcode Ltd's BS EN ISO9001 quality system is registered by BSI



Langley Park Way
Chippenham, SN15 1GE
United Kingdom
Tel: +44 (0)1249 444524
Fax: +44 (0)1249 659448
E-mail: sales@ixysuk.net



Edisonstr. 15
D-68623 Lampertheim
Germany
Tel: +49 (0) 6206 503-0
Fax: +44 (0) 6206 503627
E-mail: marcom@ixys.de

We are supported by a global network of local offices, representatives and distributors. Please visit our website for more information