



Pushing Performance

HARTING Product Change Notification

PCN

Business Unit: HARTING Electric GmbH & Co. KG

PCN/0039

Product range: Han® 16A

Date: 20141030

Author: Jürgen Bösch

Title: Design Change Han® 16 Surface Mounting Housings

Details of Product Changes

1. Concerned part numbers

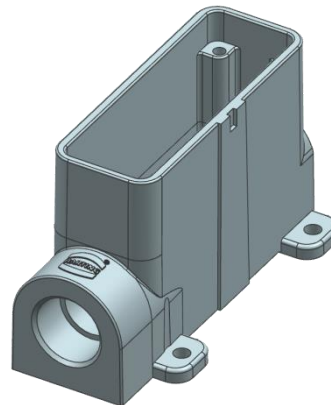
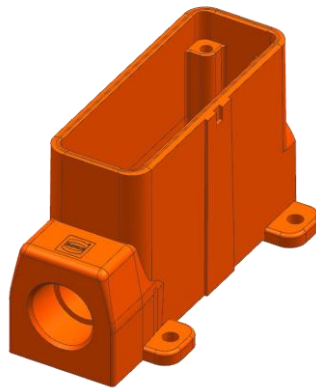
09 20 016 0213	09 20 016 0221	09 20 016 0222	09 20 016 0251
09 20 016 0252ML	09 20 016 0291	09 20 016 0291ML	09 20 016 0294
09 20 016 0296	09 37 025 0252	19 20 016 0211	19 20 016 0251
19 20 016 0290	19 20 016 0291	19 20 016 0295	19 37 025 0251

2. Description of changes / news:

Design of new molding tool. The cable entry has been modified

Old

New



3. Impact on product specification:

No impact

4. Scheduled date of implementation:

Week 48/2014

5. Identification of change:

See pictures above