

Business Unit: HARTING Electric

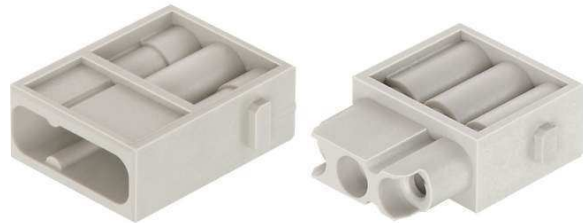
PCN/ 007

Product range: Han-Modular®

Date: 2013-03-22

Title: Han® C Module

Page 1/8



Dear Customer,

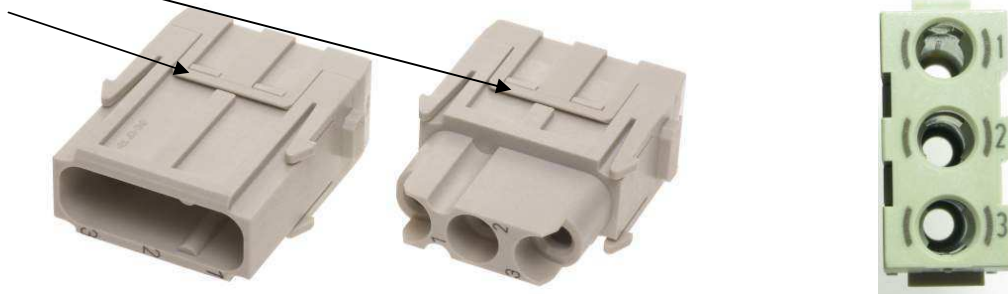
We would like to inform you about the design improvement of the following Han® C modules.

- p/n: 09 14 003 3001
- p/n: 09 14 003 3002
- p/n: 09 14 003 3101
- p/n: 09 14 003 3102

The main difference, compared to the old design, is the lack of four plastic clips, which makes the assembly in the hinged frames much easier. In addition, the new design has a new locking mechanism for the crimp contacts that also offers several advantages (same snap arm as on the Han® Q 2/0 crimp insert).

Old Design

Old plastic clips



New Design**Features and Advantages of the New Design**

- Easier assembly due to the absence of the four plastic clips
- The new module is suitable for all hinged frames including Han-Modular[®] Compact, Han-Modular[®] Twin, Han-Modular[®] Docking Frames, Han[®] module clamp, Han-Eco[®] and Han- Yellok[®]
- This new design is not compatible with the old rigid frames (p/n: 09 14 0xx 0301 / 09 14 0xx 0911 – the old rigid frames were already removed from our Han[®] catalog in 2002)
- New locking mechanism for the crimp contacts (the snap arm is the same as on the Han[®] Q2/0 crimp insert which was already tested and approved)
- Higher voltage rating – up to 690V
- The length of 09 14 003 3001 / 3101 is approximately 1 mm longer
- The length of 09 14 003 3002 / 3102 is approximately 3 mm shorter
- Suitable for all Han[®] C crimp contacts from 1.5 to 10 mm²
- Suitable for larger insulation diameters up to 7.5 mm
- **Compatible with existing removal tools (p/n: 09 99 000 0305, p/n: 09 99 000 0381)**
- Optimized stripping length for 10 mm² wires (only 12 mm instead of 18 mm)
- The new module combines features of two versions into one part (both modules 3001/3101 and 3002/3102 were used by several customers). This change will allow customers to save storage space in the future.
- **100% mating compatible with the old modules**
- **No price increase**
- **Part numbers will remain unchanged**

Part Numbers

- 09 14 003 3001
- 09 14 003 3001XL
- 09 14 003 3002
- 09 14 003 3012
- 09 14 003 3101
- 09 14 003 3102
- 09 14 003 3112

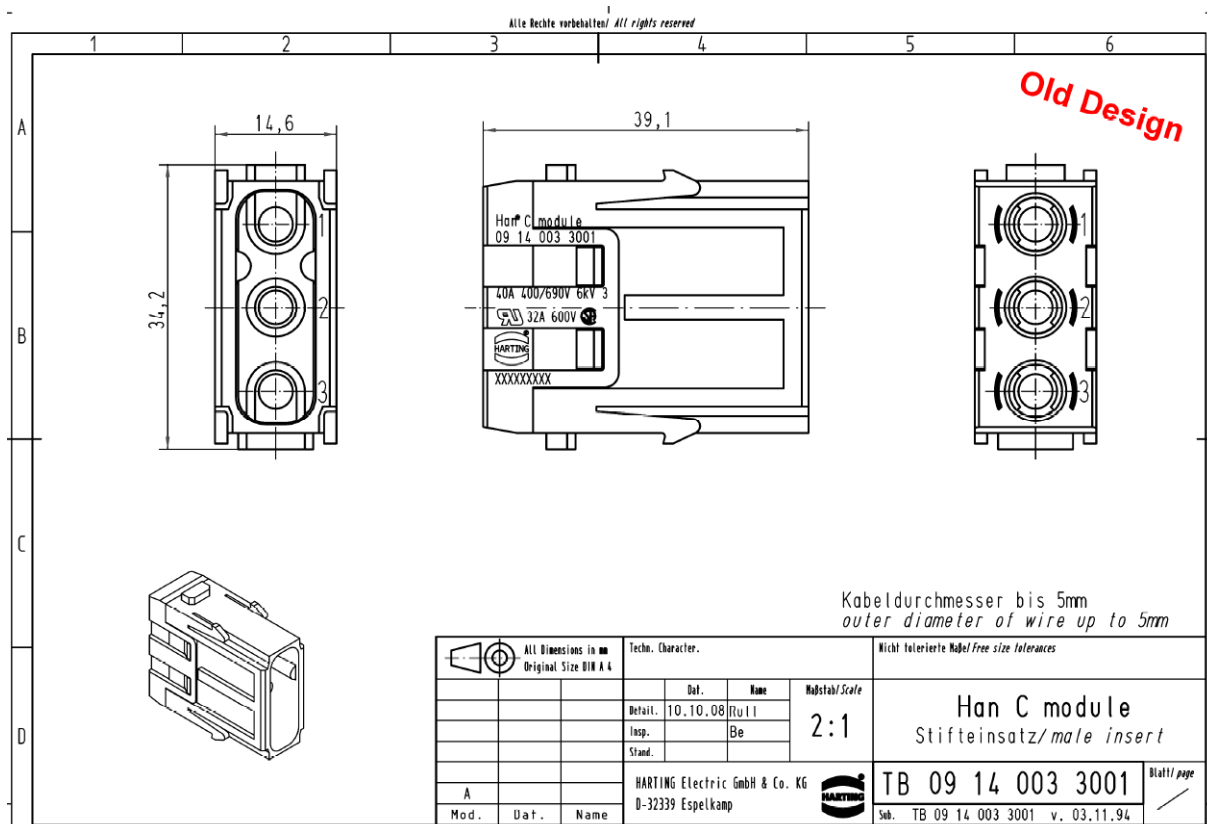
This change is scheduled for August / September 2013. In addition, during this time mixed shipments are possible.

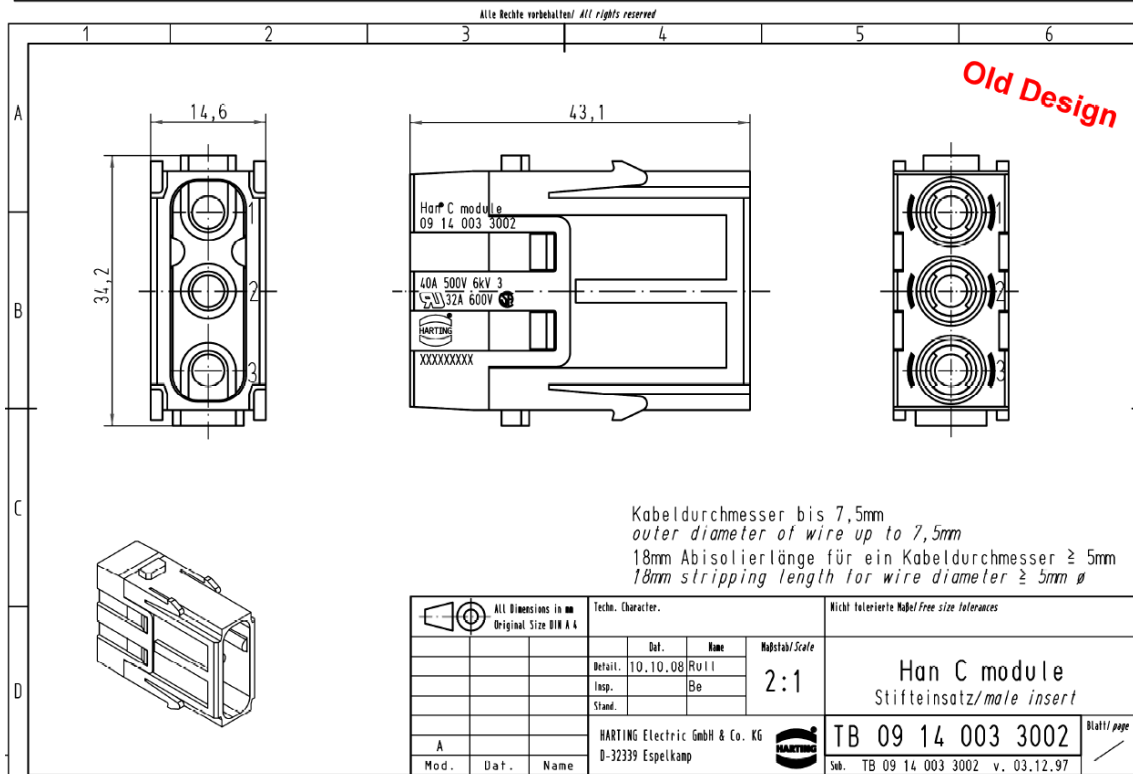
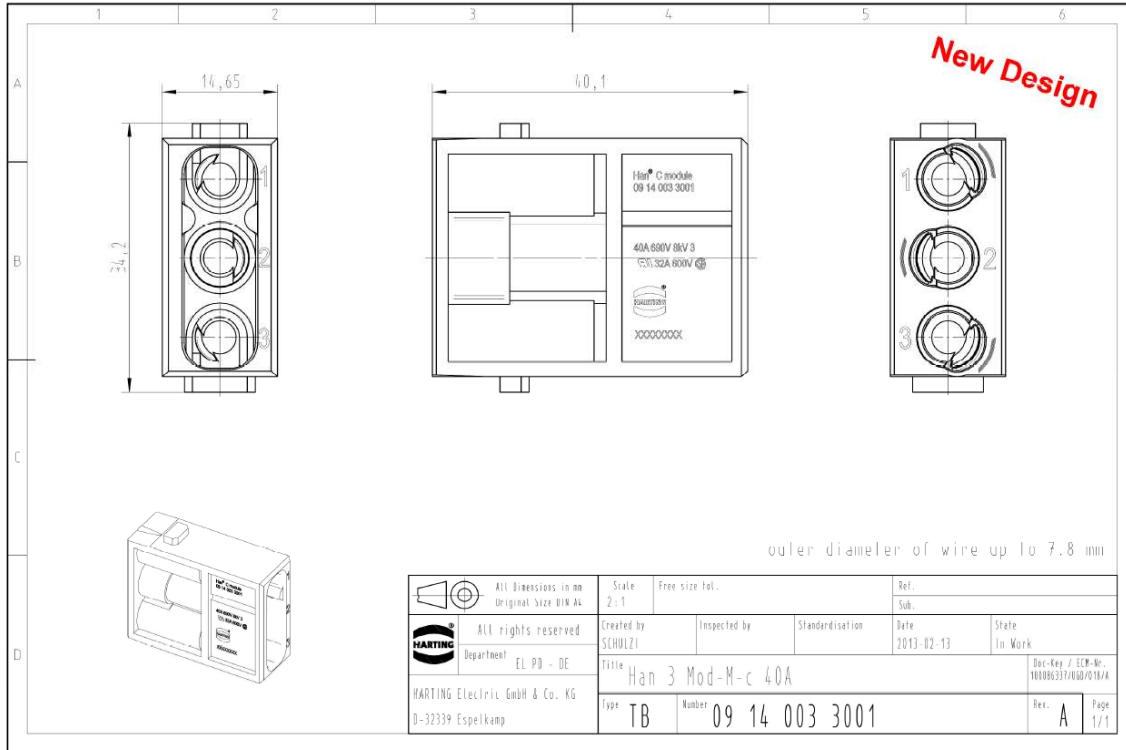
Please don't hesitate to contact our technical support if you have any questions.

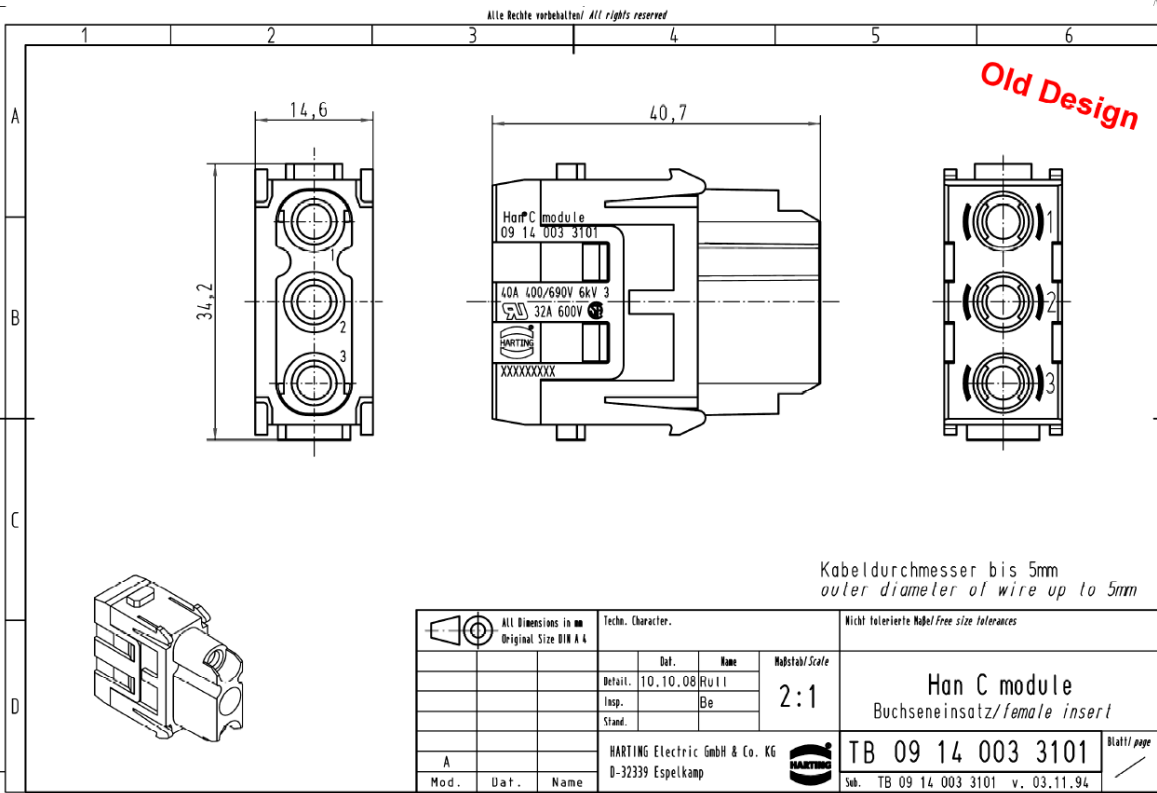
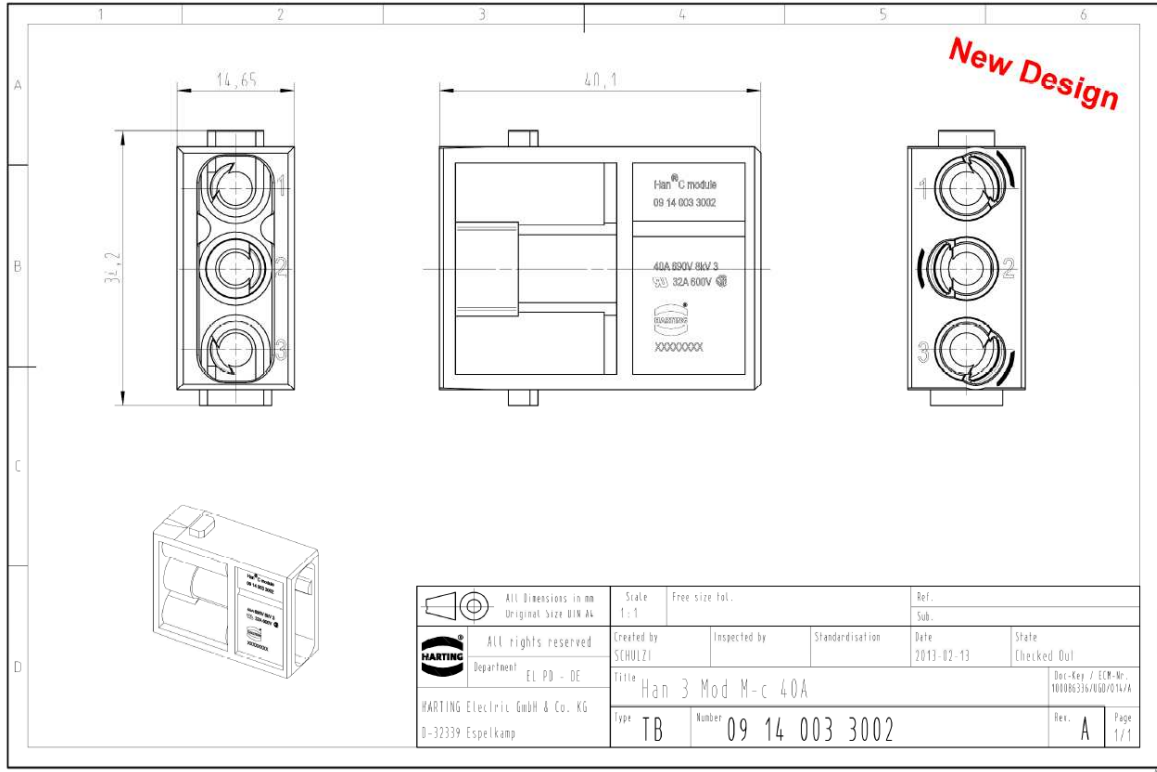
Technical Support E-mail: TechSupportUS@HARTING.com

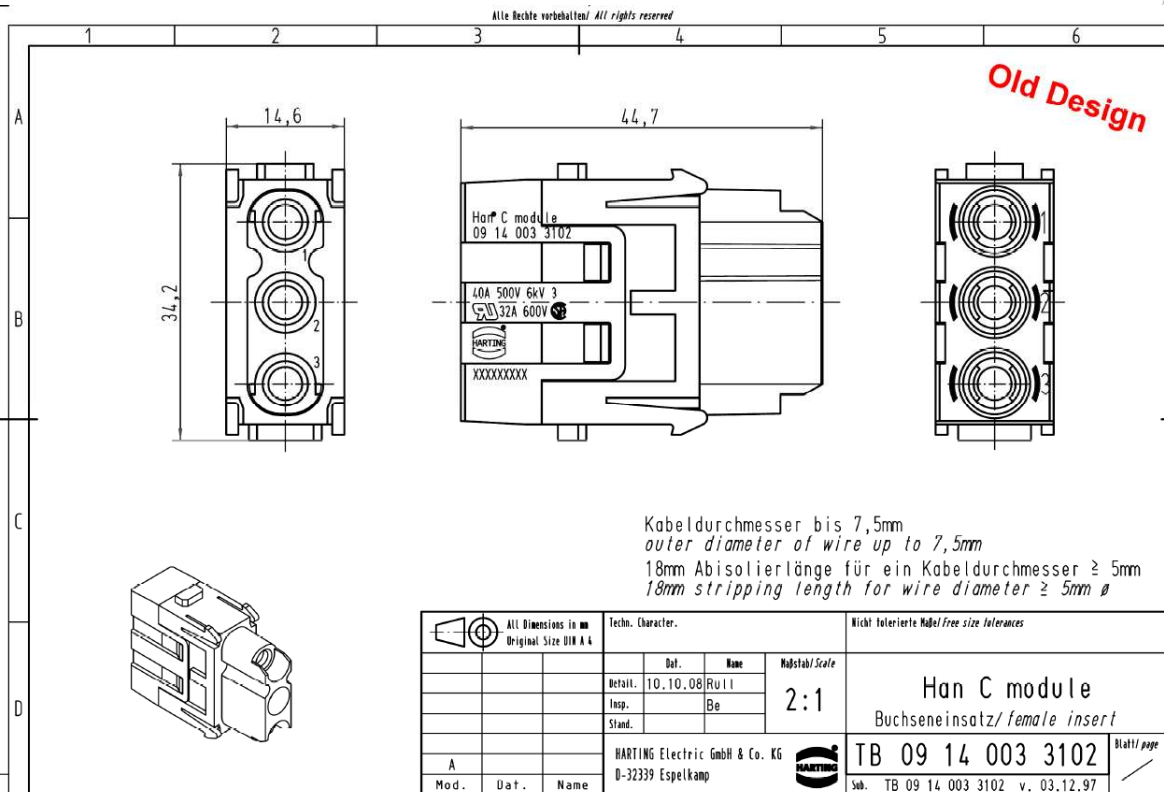
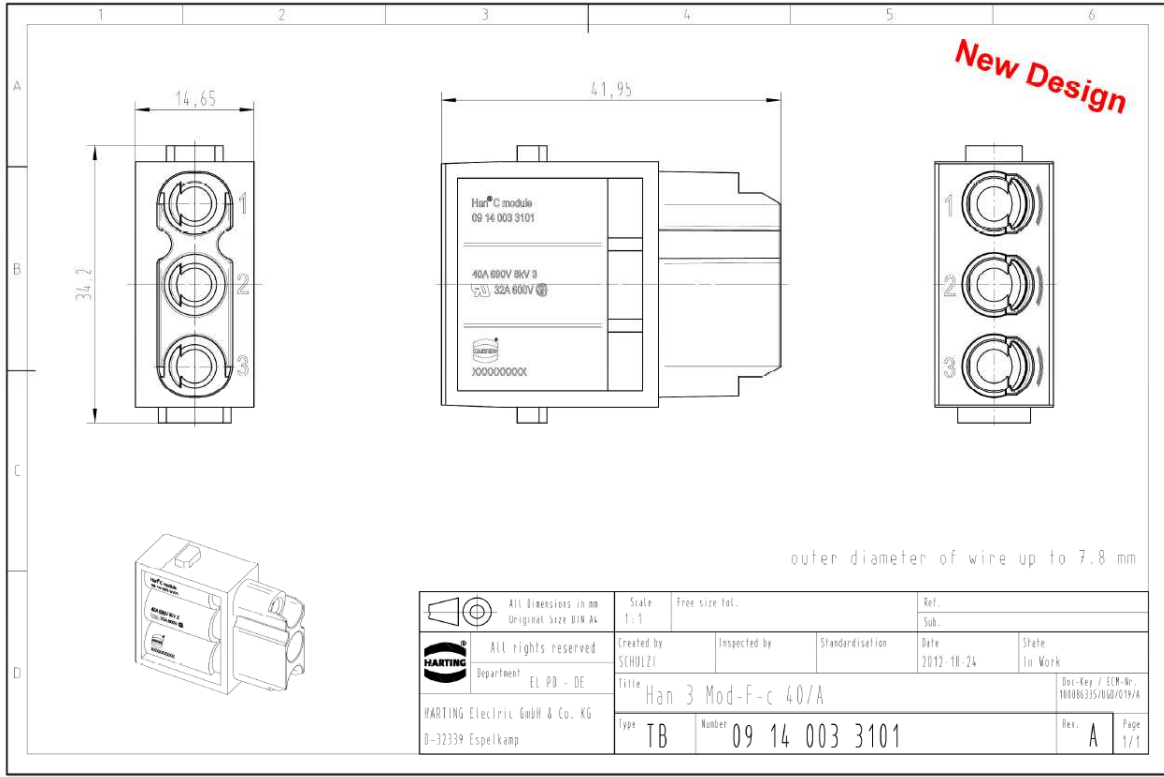
Technical Support Phone Number: **866-278-0306** (Select option 3 for technical support).

Appendix: Product Drawings









	All Dimensions in mm Original Size: DIN A4	Scale	Free size tol.	Ref.	
	All rights reserved Department: EL PD - DE	Created by	Inspected by	Standardisation	Date
		SCHULZI			2013-02-14
		Titel: Han 3 Mod F-c 40 A			State: [Checked Out]
		HARTING Electric GmbH & Co. KG D-32339 Espelkamp			Doc-Key / ECR-Nr: 100805304/00/012/A
		Type: TB	Number: 09 14 003 3102	Rev. A	Page 1/1