



Pushing Performance

HARTING Product Change Notification

PCN

Business Unit: HARTING Electric GmbH & Co. KG

PCN/0034

Product range: Han® 10A

Date: 20140730

Author: Jürgen Bösch

Title: Design Change Han® 10A Surface Mounting Housings

Details of Product Changes

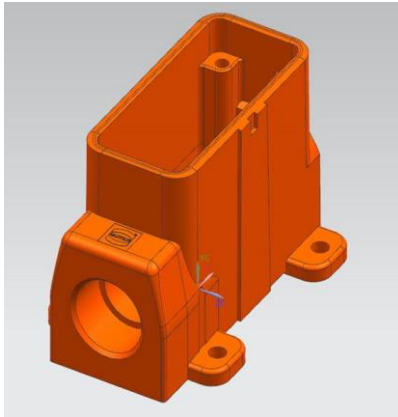
1. Concerned part numbers

09 20 010 0221	09 20 010 0251	09 20 010 0252
09 20 010 0252ML	09 20 010 0291	09 20 010 0296
19 20 010 0251	19 20 010 0290	19 20 010 0295
19 37 015 0250	19 62 015 0201	

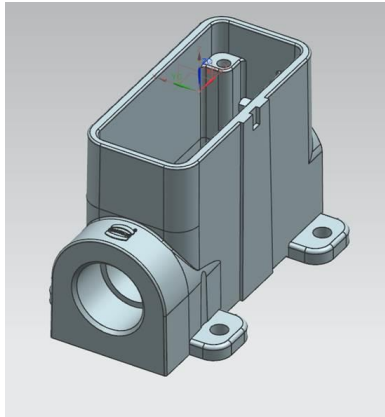
2. Description of changes / news:

Design of new molding tool. The cable entry has been modified

Old



New



3. Impact on product specification:

No impact

4. Scheduled date of implementation:

Week 31/2014

5. Identification of change:

See pictures above