

**Business Unit:** Electronics**PI/ 013****Product range:** M12 Connectors

Date: 2012-11-12

**Title:** **New Contact for M12 PCB - Receptacles**

Page 1/8

Dear Customer,

We are pleased to announce a modification for the following products:

Part Number	Description
21 03 321 6410	M12 PCB receptacle, a-coded straight, 4pins, IP20
21 03 321 6420	M12 PCB receptacle, a-coded straight, 4pins, IP67
21 03 321 6510	M12 PCB receptacle, a-coded straight, 5pins, IP20
21 03 321 6520	M12 PCB receptacle, a-coded straight, 5pins, IP67
21 03 381 6410	M12 PCB receptacle, d-coded straight, 4pins, IP20
21 03 381 6420	M12 PCB receptacle, d-coded straight, 4pins, IP67
21 03 371 2415	M12 PCB receptacle, d-coded straight, 4pins, IP67, lower height

This change was made towards a one-piece contact, which was done in order to achieve a more reliable working process.

This change was implemented on July 16<sup>th</sup> 2012 and the new contact is already available. This modification can be recognized by a gold plated contact, compared to the old contact which was nickel plated.

Please check the appendix section of this document for the product drawings.

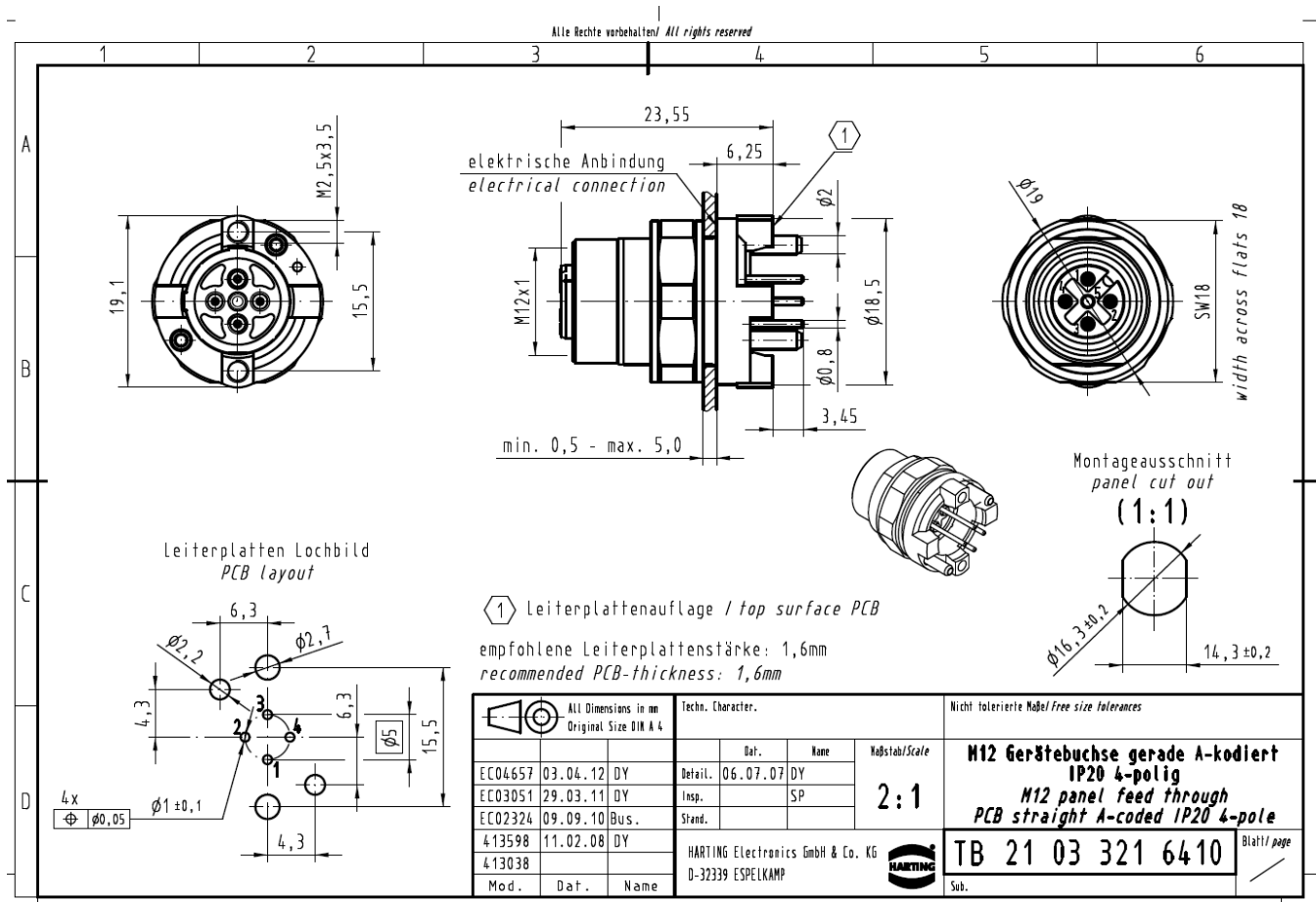
Please don't hesitate to contact our technical support if you have any questions.

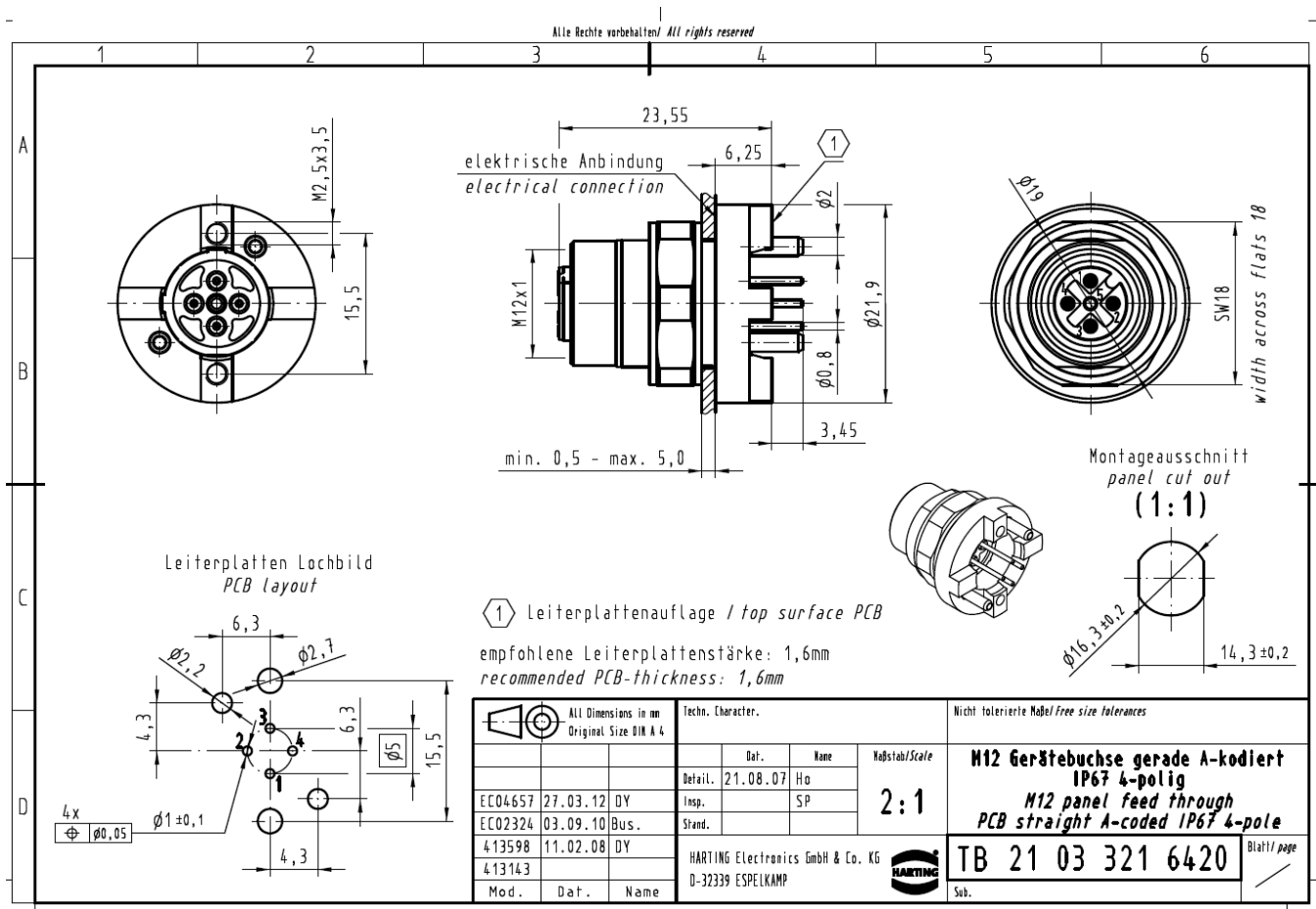
Technical Support E-mail: [TechSupportUS@HARTING.com](mailto:TechSupportUS@HARTING.com)

Technical Support Phone Number: **866-278-0306** (Select option 3 for technical support).



## Appendix: Product Drawings



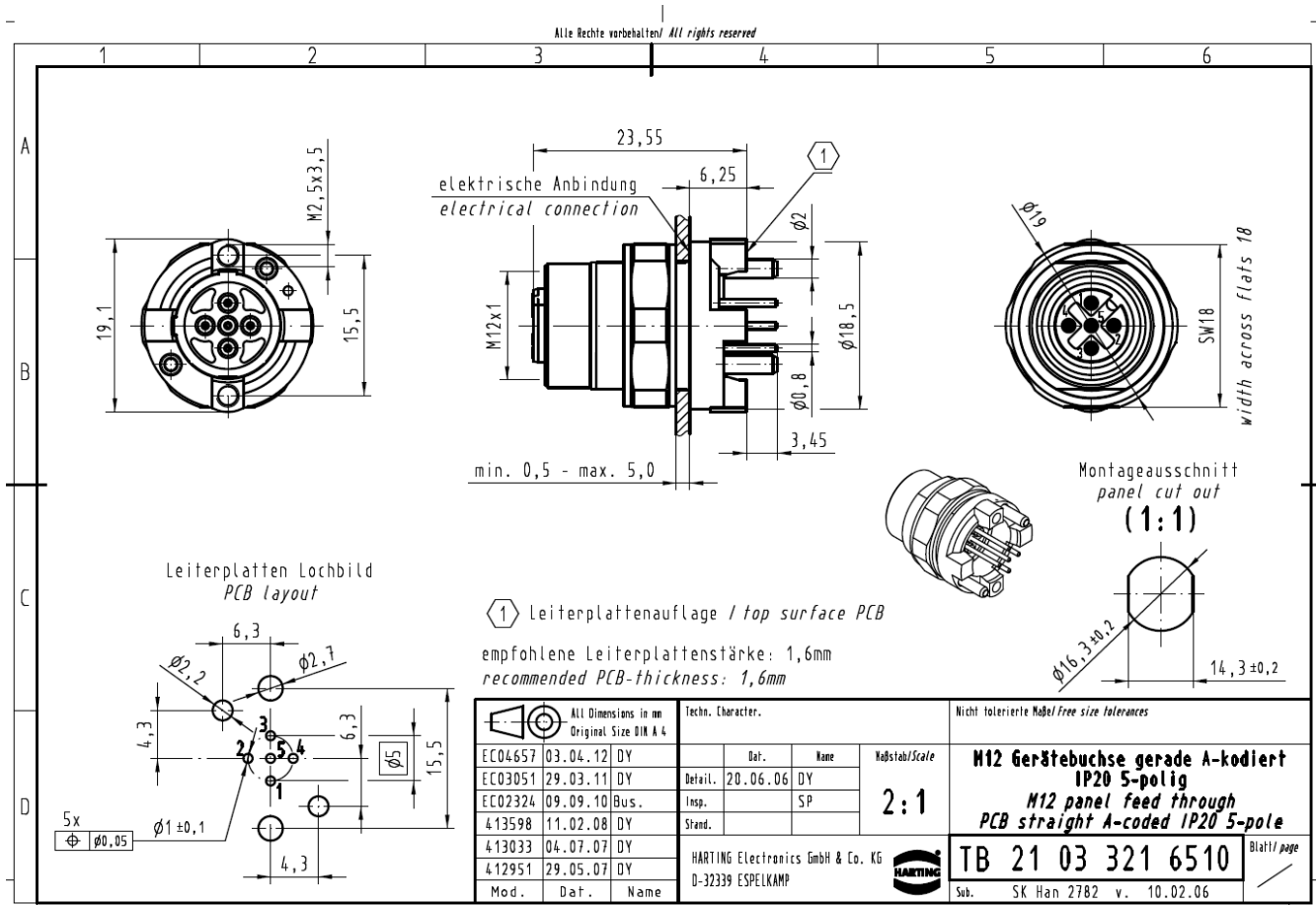




Pushing Performance

# HARTING Product Information

PI

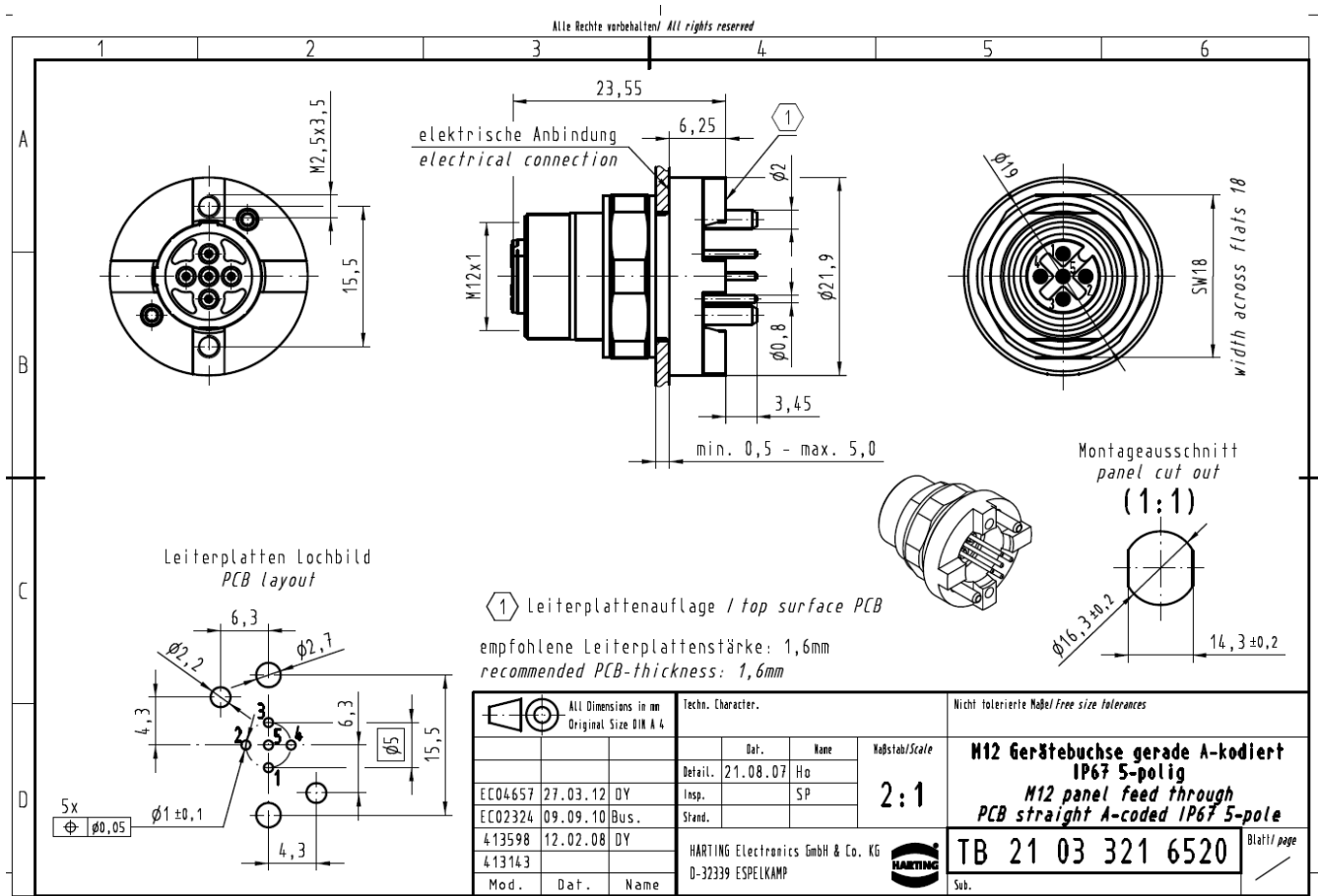




Pushing Performance

# HARTING Product Information

# PI

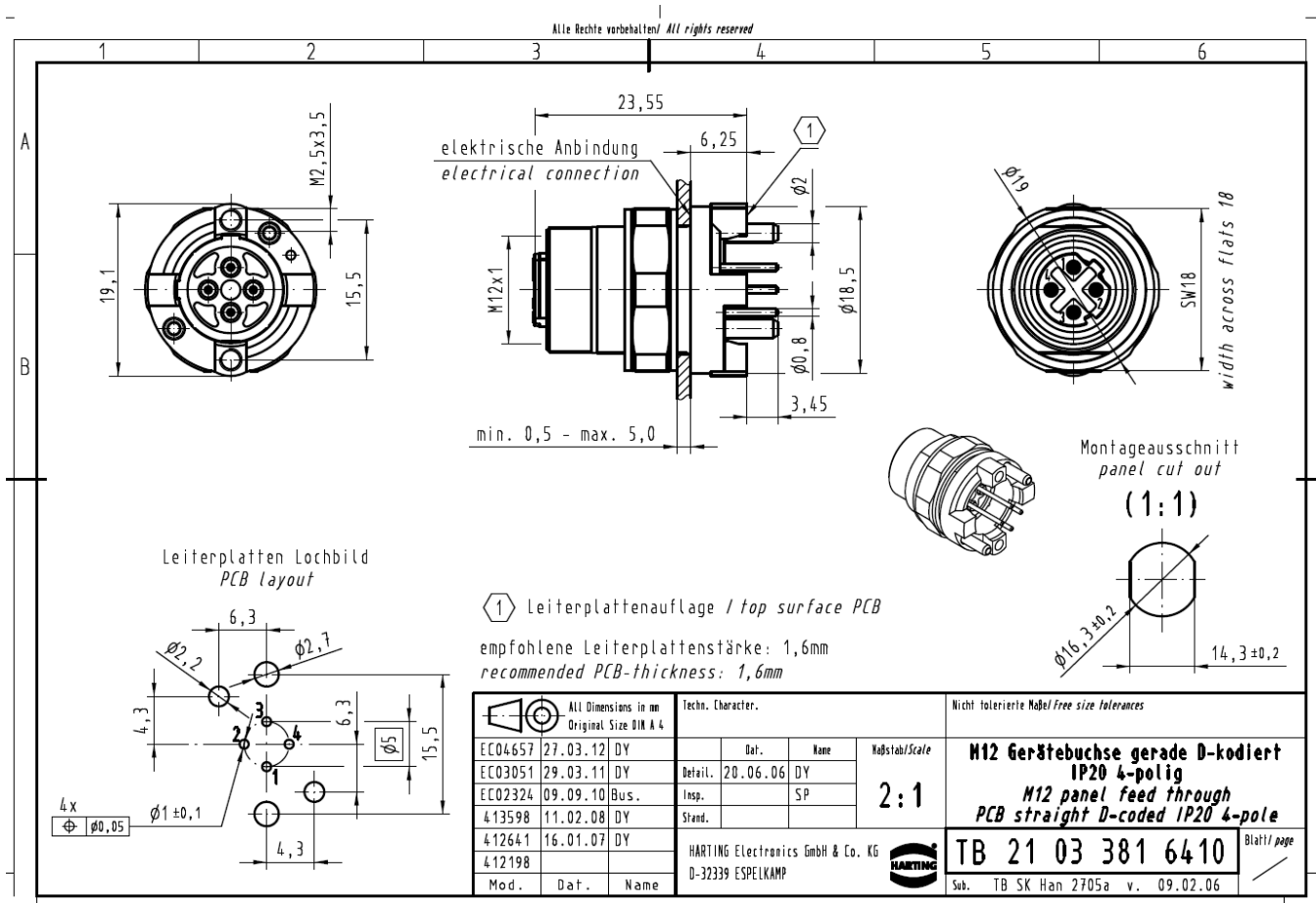




Pushing Performance

# HARTING Product Information

# PI



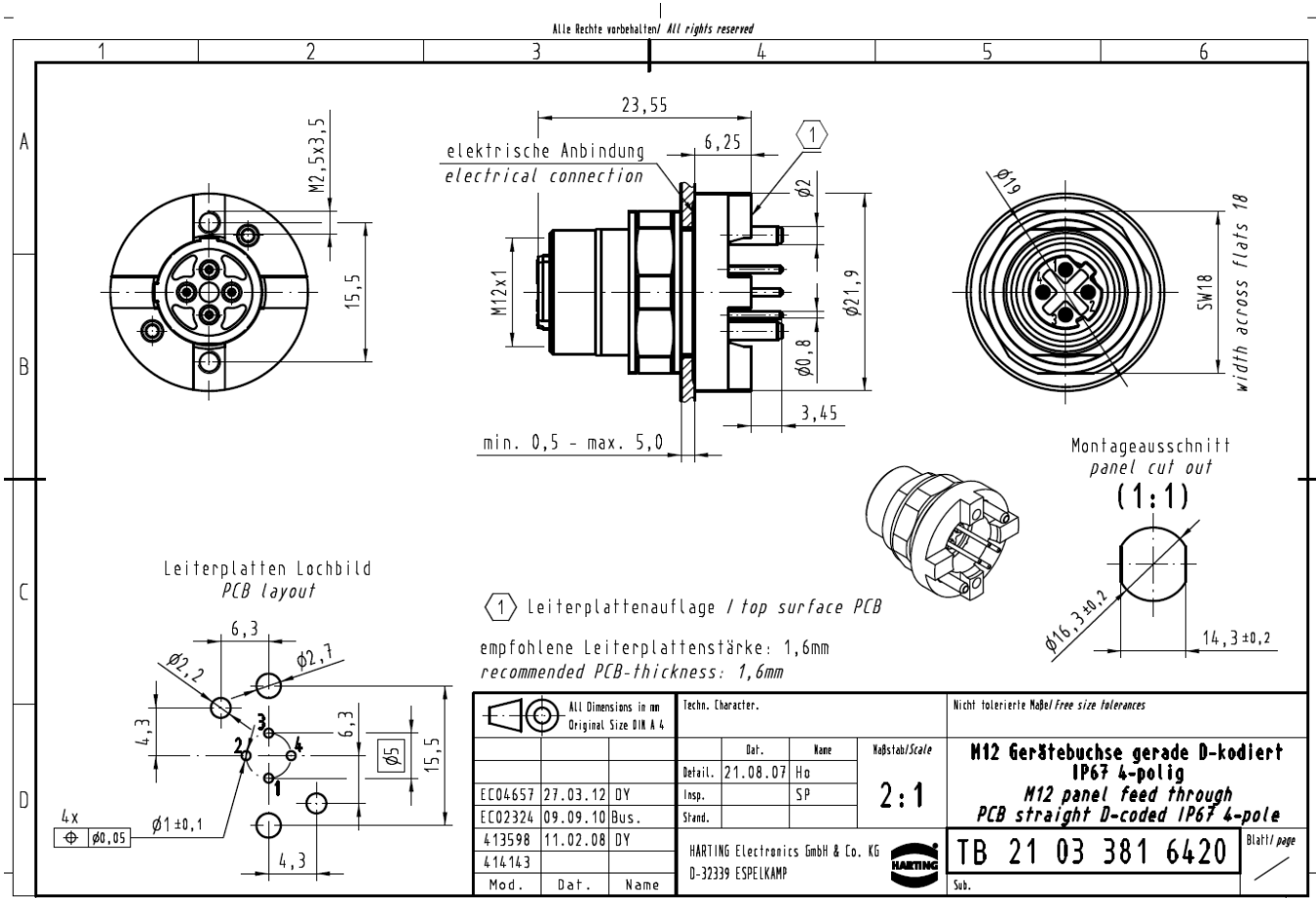


Pushing Performance

# HARTING Product Information

# PI

Page 7/8





Alle Rechte vorbehalten / All rights reserved

