

Business Unit: Electronics

PTN/M12/14/54/ACD

Product range: M12 cable assemblies

Date: 2014-06-24


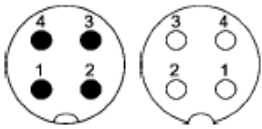

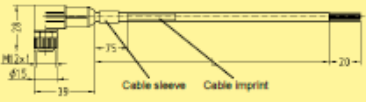

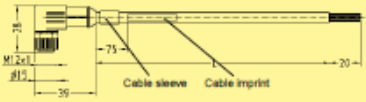
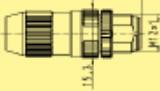
Title: Termination of customized set of M12 cable assemblies

Dear Ladies and Gentlemen,

Please be informed that we phase out the following p/n in our system, due to no need in the market for this solution.

- 2183 515 4401 ... 4405 (Set consisting of *HARAX®* M12 and overmolded M12 connector)
- 2183 515 7401 ... 7405 (Set consisting of *HARAX®* M12 and overmolded M12 connector with LED)

Please check the extract of page 03-25 from our new catalogue:

M12 System cables, A-coded 			
<div style="display: flex; justify-content: space-between;"> <div style="text-align: center;"> <p>Mating face</p>  <p>A-coding Mating face acc. to IEC 61076-2-101</p> </div> <div style="text-align: center;">  </div> </div>			
Identification	Part No.	Drawing	Dimensions in mm
<p>HARAX® M12 Cable set without LED</p> <p>Delivery range: M12 connector with individually adaptable cable and HARAX® M12-S</p> <p>Length: 1.5 m 3.0 m 5.0 m 7.5 m 10.0 m</p>	<p>21 83 515 4401 21 83 515 4402 21 83 515 4403 21 83 515 4404 21 83 515 4405</p>	 <p style="text-align: center;">HARAX® M12-S (21 03 111 1405)</p> <p style="text-align: center;">ca. 13,45</p> 	
<p>HARAX® M12 Cable set with LED</p> <p>Delivery range: M12 connector with individually adaptable cable and HARAX® M12-S</p> <p>Length: 1.5 m 3.0 m 5.0 m 7.5 m 10.0 m</p>	<p>21 83 515 7401 21 83 515 7402 21 83 515 7403 21 83 515 7404 21 83 515 7405</p>	 <p style="text-align: center;">HARAX® M12-S (21 03 111 1405)</p> <p style="text-align: center;">ca. 13,45</p> 	

In the last years we sold only several pieces to end customers. Therefore we see no need having this solution available for a longer time. Of course the single parts like the overmolded cable and the M12 connector with *HARAX*® termination will exist like before.

You have the chance of placing a last order until December 2014!

With March 2015 the products will be deleted in SAP!

Please inform your customers about this decision!