

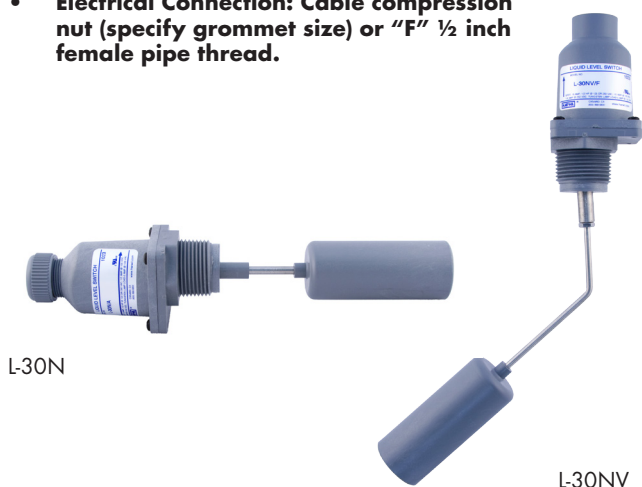
# LEVEL SWITCH

# MODEL L-30N L-30CR

The L-30 Level Switch is designed for use in potable water or a wide variety of chemicals. See Chemical Compatibility Chart. The liquid seal is continuously flushed by the working fluid and is available with an Optional Rubber Boot if there is particulate in the water. The L-30 Level Switch has models for horizontal or vertical installations. The L-30 Level Switch uses a 15 amp micro switch (SPDT - Single Pole Double Throw).



- Super-simple maintenance and checkout for personnel using a standard test meter.
- High/Low Liquid level alarm
- Solenoid Valve control
- Pump Up/ Pump Down Control (Use with LC-1 or Wireless)
- Intrinsically Safe Relay allows Model L-30 to be used in hazardous areas.
- Connection 1" NPT with 1 x 1/4" NPT bushing included
- **Electrical Connection: Cable compression nut (specify grommet size) or "F" 1/2 inch female pipe thread.**



L-30N

L-30NV

## KEY FEATURES

|                                |                                 |
|--------------------------------|---------------------------------|
| Working Fluid Specific Gravity | <b>0.8 minimum</b>              |
| Working Temp                   | <b>200°F (93°C) Maximum</b>     |
| Working Pressure               | <b>75 psi (517 kPa)</b>         |
| Process Connection             | <b>1" with 1 x 1/4" Bushing</b> |
| Electrical Switch              | <b>SPDT 15A or Dry Circuit</b>  |
| Weight                         | <b>0.5 lb. (0.23 kg)</b>        |
| Enclosure                      | <b>NEMA 6P / IP 67</b>          |

## TYPICAL USES

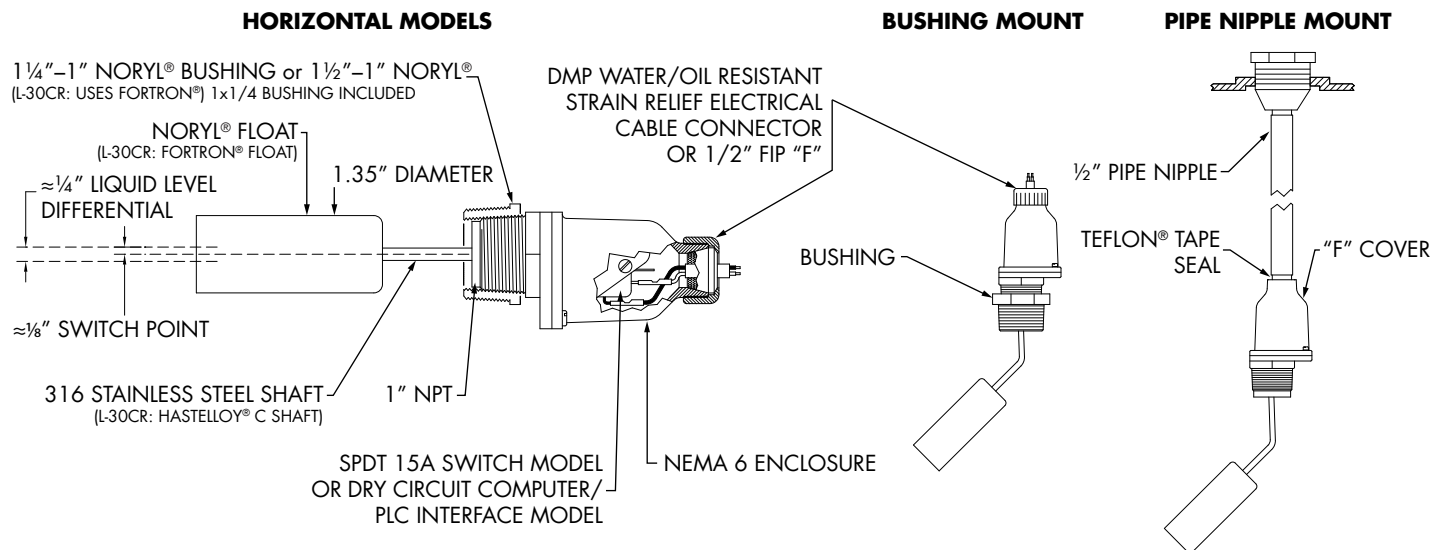
For use in particle contaminated fluids, such as:

|                 |                           |
|-----------------|---------------------------|
| Medium Slurries | Contaminated Ground Water |
| Sewage          | Machine Cutting Oils      |
| Waste Water     |                           |

## TYPICAL WORKING FLUIDS

|                     |                   |
|---------------------|-------------------|
| Water               | Mild Acids        |
| Seawater            | Mild Bases        |
| Rusty Coolant Water | Various Chemicals |

## PRODUCT DIAGRAM



541 Kinetic Drive  
Oxnard, CA 93030  
www.harwil.com  
16.299

Phone: (805) 988-6800  
Fax: (805) 988-6804  
Email: harwil@harwil.com

# MODEL L-30N L-30CR

## ELECTRICAL CONNECTION

| GROMMET | CABLE O.D. | DIAGRAM |
|---------|------------|---------|
| A       | 0.25"      |         |
| AA      | 0.30"      |         |
| B       | 0.37"      |         |
| C       | 0.50"      |         |

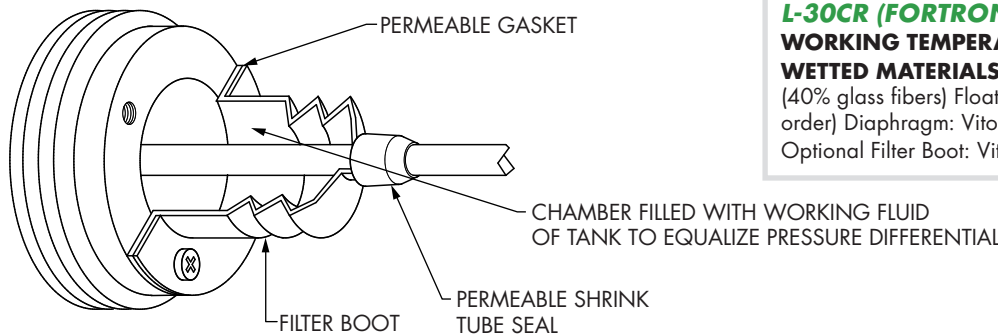
## CONDUIT FITTINGS (AVAILABLE AT EXTRA COST)

| F | 0.5" straight |  | F90° | 0.5" 90° |  |
|---|---------------|--|------|----------|--|
|---|---------------|--|------|----------|--|

## SAMPLE PART NUMBERS

| OPTION 1: L-30N / A | OPTION 2: L-30N / F         |
|---------------------|-----------------------------|
| BASE MODEL ↑        | BASE MODEL ↑                |
| GROMMET SIZE        | ½" FLEXIBLE CONDUIT FITTING |

## FILTER BOOT



## TECHNICAL SPECIFICATIONS

### HYSTERESIS (Δ LIQUID LEVEL TO ACTIVATE/DEACTIVATE SWITCH)

≈ ¼" max. travel

### ELECTRICAL SWITCH CHARACTERISTICS

SPDT 5A @ 125VAC (Tungsten lamp load)  
 15 A, ½ hp @ 125 or 250VAC  
 ½ A @ 125VDC, ¼ A @ 250VDC 10,000,000 operations median

Gold Cross Bar Dry Circuit Computer/PLC Interface SPDT Switch Model also available. 0.1A or less, 5–24 VAC/DC.

### WORKING FLUID SPECIFIC GRAVITY:

0.8 minimum

### WORKING PRESSURE:

75 psi max. operating  
 100 psi max. non-operating

### L-30N (NORYL®)

**WORKING TEMPERATURE:** 180°F max. continuous.

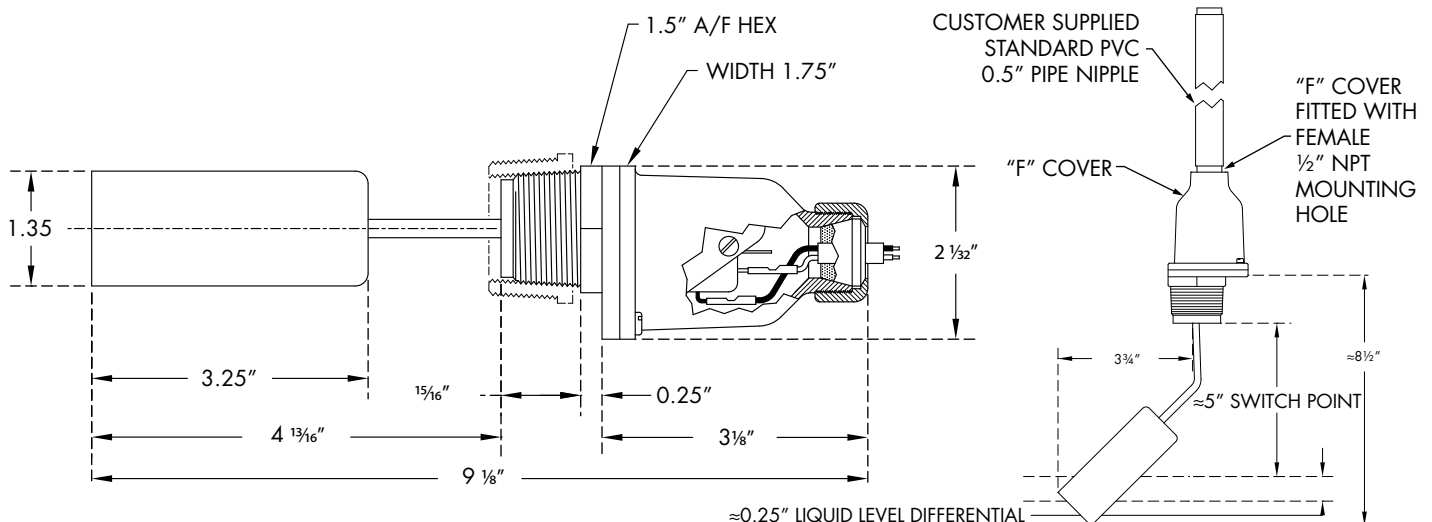
**WETTED MATERIALS:** Body, Float and Bushing: Noryl® (PPO) (10% glass fibers) Float Shaft and Screws: 316 stainless steel Diaphragm: EPDM (Hypalon optional) Optional Filter Boot: EPDM (Viton® available by special order) Optional Float Material: Polypropylene

### L-30CR (FORTRON®)

**WORKING TEMPERATURE:** 200°F max. continuous.

**WETTED MATERIALS:** Body, Float and Bushing: Fortron® (PPS) (40% glass fibers) Float Shaft: HASTELLOY® C (Titanium by special order) Diaphragm: Viton® Optional Filter Boot: Viton Optional Float Material: Polypropylene

## INSTALLATION DIMENSIONS



- Installation drawing and a numbered parts list is supplied with each unit.
- Special one-day delivery is available.