

NEW PRODUCT PREVIEW
**RPV SERIES
PRESSURE RELIEF
VALVES**
SIZES 1/4" TO 2"


All Thermoplastic diaphragm Pressure Relief Valve for protecting against over-pressure in Chemical Feed Systems. When the preset pressure is exceeded, the diaphragm is forced up and the chemical flows out of the relief port, back to the chemical tank or the suction side of the pump. All valves are preset at 50 psi, however they are field adjustable via the adjustment screw. Relief valves should be set approximately 15 psi higher than the system pressure. Installation should always be made as close to the pump as possible, without any valves or accessories between the relief valve and the pump.

KEY FEATURES

- PVC, CPVC, PP or PVDF Body, and Noryl™ Molded Dome
- PTFE/EPDM Diaphragm
- Spring: 10 – 150 psi (Spring pre-set: 50 psi)
- 304 Stainless Steel Bolting
- FNPT Threads
- Adjustment Screw with Slot
- PVC, CPVC and PVDF rated to 250 psi @ 70°F/17.2 Bar at 21°C, PP rated to 150 psi @ 70°F/10 Bar at 21°C

OPTIONS

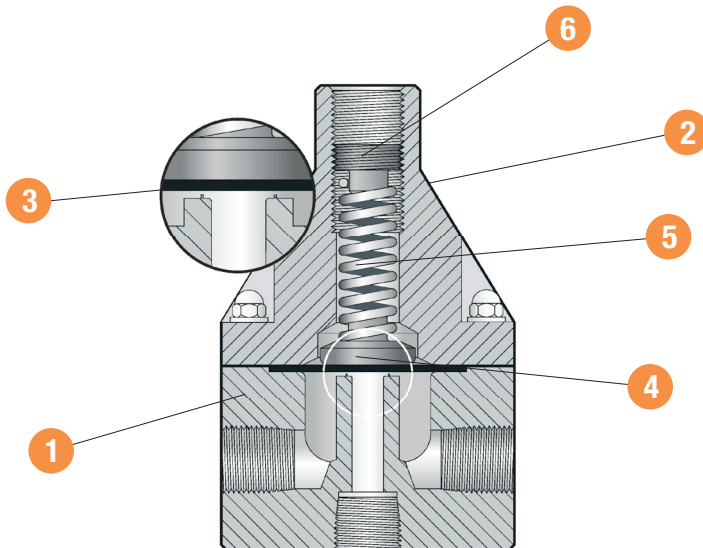
- 2-port/90°
- ANSI or DIN/EN Threaded, Socket, True Union Socket or Flanged End Connections
- 0 - 50 psi and 10 - 250 psi Springs
- PTFE/FPM Diaphragm

TYPICAL APPLICATIONS

- Chemical Dosing
- Transfer and Processing
- Chlorination Systems

MATERIALS

- PVC Cell Class 12454 per ASTM D1784
- CPVC Cell Class 23447 per ASTM D1784
- PP per ASTM D4101
- PVDF

DETAILED VIEW


RPV Series Pressure Relief Valves

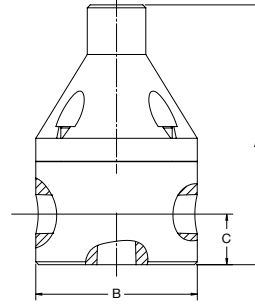
SIZES 1/4" TO 2"

PARTS LIST

1. Valve Body - PVC, CPVC, PP or PVDF
2. Dome - Noryl™
3. Diaphragm - PTFE/EPDM or PTFE/FPM
4. Compressor
5. Spring
6. Adjustment Screw

SPARE PARTS

- Diaphragm and Spring
- Rebuild Kit: Diaphragm, Compressor, Adjustment Screw and Spring

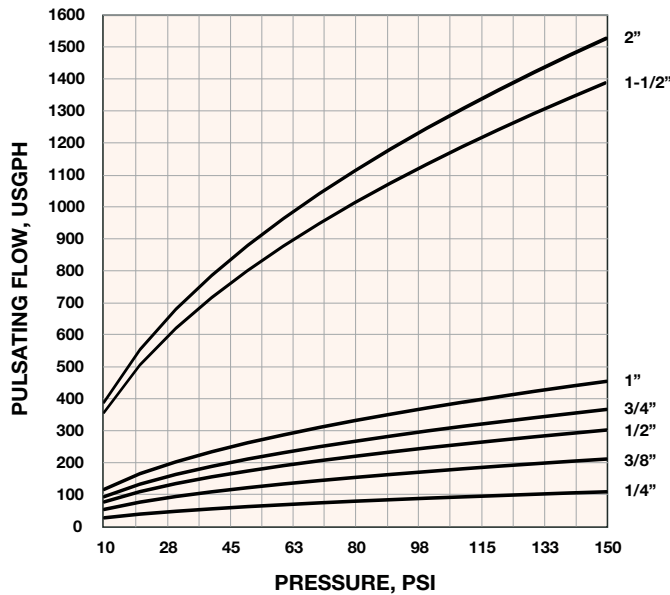


Note: 1/4" - 1" has 3 ports.
1-1/2" - 2" has 2 ports.

DIMENSIONS (INCHES / MILLIMETERS)

VALVE SIZE in / DN	A in / mm	B in / mm	C in / mm
1/4 / 8	3.55 / 90	2.35 / 60	0.75 / 19
3/8 / 10	3.55 / 90	2.35 / 60	0.75 / 19
1/2 / 15	4.25 / 108	2.35 / 60	1.08 / 27
3/4 / 20	5.56 / 141	3.50 / 89	1.12 / 28
1 / 25	5.86 / 149	3.50 / 89	1.25 / 32
1-1/2 / 40	8.35 / 212	4.90 / 124	1.82 / 46
2 / 50	8.90 / 226	4.90 / 124	2.15 / 55

PERFORMANCE CURVE



SAMPLE INSTALLATION



Hayward is a registered trademark of Hayward Industries, Inc.
© 2015 Hayward Industries, Inc.

NPPRPV0915

Contact Hayward Flow Control with questions:

USA: 1.888.429.4635 • Fax: 1.888.778.8410 • One Hayward Industrial Drive • Clemmons, NC 27012 • Email: hflow@haywardnet.com
 Canada: 1.888.238.7665 • Fax: 1.905.829.3636 • 2880 Plymouth Drive • Oakville, ON L6H 5R4 • Email: hflowcanada@haywardnet.com
 Visit us at: haywardflowcontrol.com