

NEW PRODUCT PREVIEW
**CFLV SERIES
CARTRIDGE FILTER
ADAPTER KITS**
**FOR SINGLE AND MULTIPLE
CARTRIDGES**
KEY FEATURES

- Polypropylene Construction
- For Single or Multiple up to 5 Cartridges
- Accommodates Melt Blown, Spun or Pleated Cartridges
- Adapters for Single Length and Double Length CFLV's
- Adapters are designed to work with DOE and 222 End Connectors (where applicable)

BENEFITS

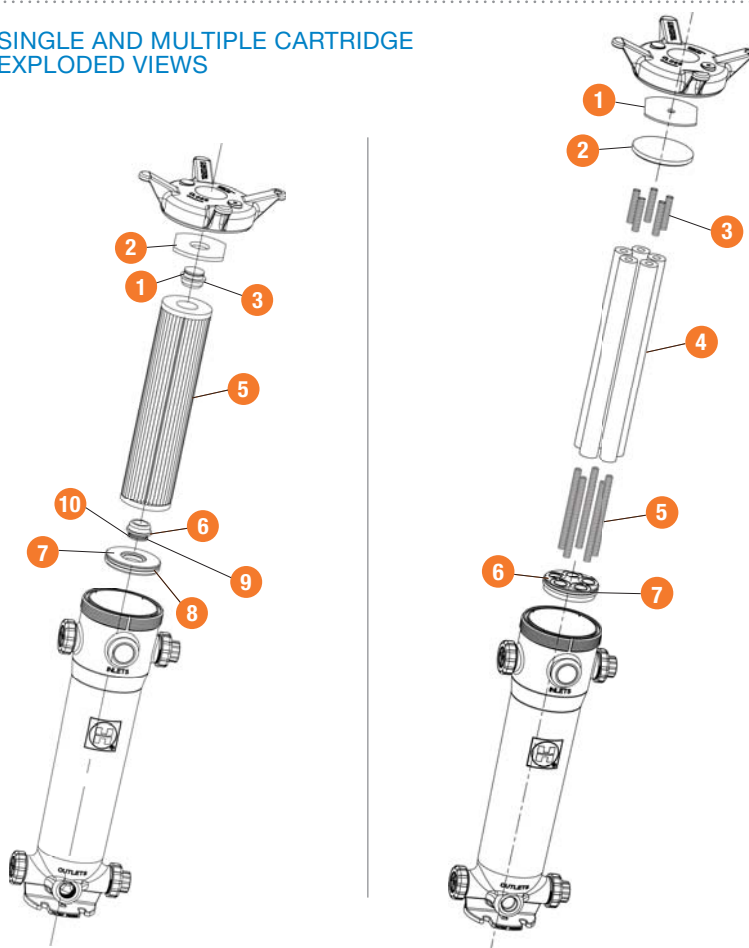
- Simple Install of Adapter and Cartridges
- Access Top Plate Allows for Effortless Removal of Cartridges

TYPICAL APPLICATIONS

- Water and Wastewater Treatment
- Desalination, RO and Deionized Water Systems
- Chemical Processing
- Food and Beverage
- Aquatic and Animal Life Support Systems
- Metal Finishing and Plating
- Marine and Corrosive Environments

MATERIALS

- PP per ASTM D4101
- Heavy Duty FPM Seals
- EPDM Seals Optional

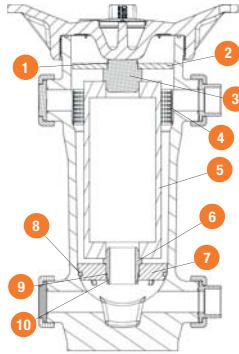

**SINGLE AND MULTIPLE CARTRIDGE
EXPLODED VIEWS**


CFLV SERIES CARTRIDGE FILTER ADAPTER KITS

FOR SINGLE AND MULTIPLE CARTRIDGES (cartridges not included)

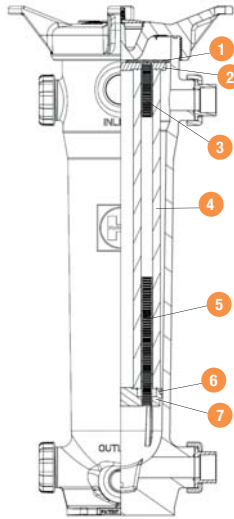
SINGLE CARTRIDGE PARTS LIST

1. Cartridge Connector Retaining O-Ring
2. Upper Plate
3. Cartridge Connector (Upper)
4. Flow Diffuser
5. Cartridge (not included in kit)
6. Cartridge Connector (Lower)
7. Lower Plate
8. Lower Plate Seal
9. Cartridge Connector Sealing O-Ring
10. Cartridge Connector Retaining O-Ring



MULTIPLE CARTRIDGE PARTS LIST

1. Anti-Rotation Ring
2. Upper Plate
3. Perforated Tube (Short)
4. Cartridge (not included in kit)
5. Perforated Tube (Long)
6. Lower Plate Seal
7. Lower Plate



CFLV SERIES CARTRIDGE FILTER ADAPTER KITS FOR INSTALLATION OF SINGLE (1) CARTRIDGES/HAYWARD



PART NUMBER	DESCRIPTION
-------------	-------------

CFLVKIT716	Cartridge Adapter, For Single Length Series Cartridge Filter, Cartridge 7" x 16" (DOE)
CFLVKIT732	Cartridge Adapter, For Double Length Series Cartridge Filter, Cartridge 7" x 16" (DOE) Double Stacked
CFLVKIT730	Cartridge Adapter, For Double Length Series Cartridge Filter, Cartridge 7" x 30" (DOE)

CFLV SERIES CARTRIDGE FILTER ADAPTER KITS FOR INSTALLATION OF SINGLE (1) CARTRIDGES/OTHER MANUFACTURERS****



PART NUMBER	DESCRIPTION
-------------	-------------

CFLVKIT410	Cartridge Adapter, For Single Length Series Cartridge Filter, Cartridge 4-1/2" x 10"*** (DOE, 222 CAP or FIN)*
CFLVKIT430	Cartridge Adapter, For Double Length Series Cartridge Filter, Cartridge 4-1/2" x 30"*** (DOE, 222 CAP or FIN)*
CFLVKIT810	Cartridge Adapter, For Single Length Series Cartridge Filter, Cartridge 7-3/4" x 10"**** (DOE)
CFLVKIT830	Cartridge Adapter, For Double Length Series Cartridge Filter, Cartridge 7-3/4" x 30"**** (DOE)

CFLV SERIES CARTRIDGE FILTER ADAPTER KITS FOR INSTALLATION OF MULTIPLE (5) CARTRIDGES/HAYWARD AND OTHER MANUFACTURERS****



PART NUMBER	DESCRIPTION
-------------	-------------

MFLVKIT210	Cartridge Adapter, For Single Length Series Cartridge Filter, Cartridge 2-1/2"-2-3/4" x 10"*** (DOE, 222 CAP or FIN)*
MFLVKIT230	Cartridge Adapter, For Double Length Series Cartridge Filter, Cartridge 2-1/2"-2-3/4" x 30"*** (DOE, 222 CAP or FIN)*

- Consult factory for other cartridge kit sizes.
- Some kits contain dual purpose components.
- Cartridges shown are sold separately. Kits do not include cartridges.

* Designated adapters are designed to work with DOE and 222 End Connectors.

** ID minimum of 1".

*** ID minimum of 2-5/8".

**** When using non-Hayward manufactured cartridges, it is suggested to check cartridge dimensions and/or consult factory for proper fit.



Hayward is a registered trademark of Hayward Industries, Inc. © 2013 Hayward Industries, Inc.

NPP213