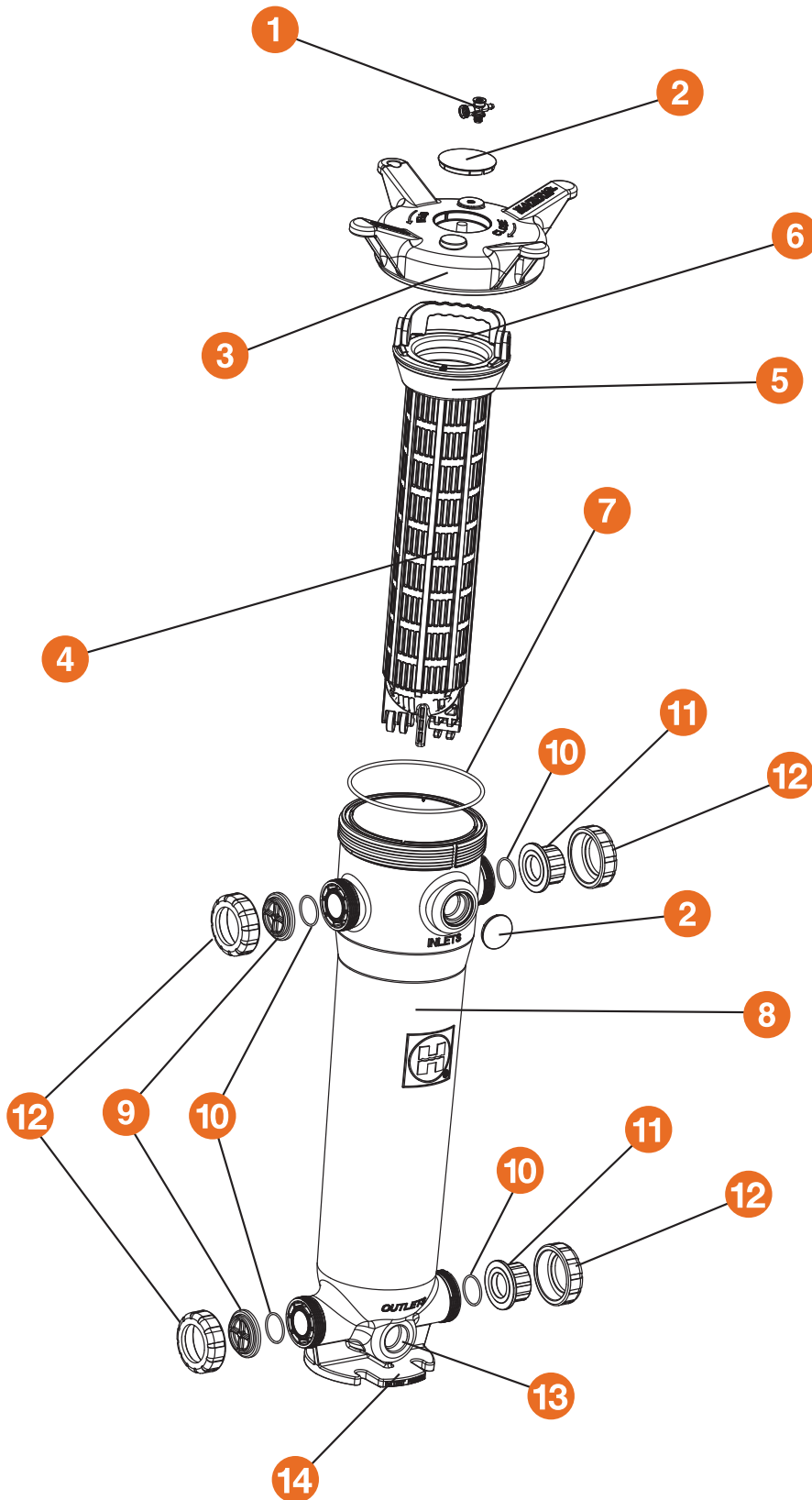


FLV Series Filter Vessel, EXPLODED VIEW



PARTS LIST

1. Vent Valve (Included)
2. Hayward Bezel
3. Cover
4. Basket
5. Basket Ring with Lock Down Handle
6. Bag Retaining Ring
7. Cover O-Ring
8. Filter Vessel Body
9. End Cap
10. End Connector O-Ring
11. End Connector
12. Assembly Nut
13. Alternate 2" NPT Ports (Optional)
14. Integrally Molded Mounting Pad



Hayward is a registered trademark of Hayward Industries, Inc. © 2012 Hayward Industries, Inc.

Contact Hayward Flow Control with questions: 1-888-429-4635 • Fax: 1-888-778-8410 • One Hayward Industrial Drive • Clemmons, NC 27012 • USA
Visit us at: www.haywardflowcontrol.com • E-mail: hflow@haywardnet.com