

SW Series Swing Check Valves

3" TO 6" PVC, CPVC AND GFPP
AND 8" PVC AND GFPP

KEY FEATURES

- PVC, CPVC and GFPP
- High Temperature/Pressure Ratings
- Horizontal or Vertical Installation*
- Two-in-One Seat Design
- Built-in Flange Seals
- Two Drain Ports
- Self-Aligning Clapper Seals
- High Cv Rating and Full Flow Design

OPTIONS

- Counterweight for Closing Assistance
- Limit Switch for Position Indication

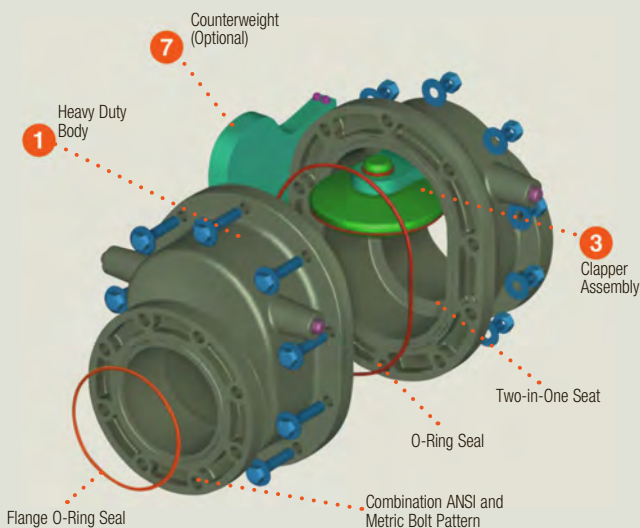
MATERIALS

- PVC Cell Class 12454 per ASTM D1784
- CPVC Cell Class 23447 per ASTM D1784
- GFPP Cell Class 85580 per ASTM D4101
- FPM and EPDM O-Ring Seals



TECHNICAL INFORMATION

EXPLODED VIEW



SELECTION CHART

SIZE	MATERIAL	END CONNECTION	SEALS	PRESSURE RATING
3" – 6" (DN80 – DN150)	PVC, CPVC or GFPP	Flanged	FPM or EPDM	150 PSI @ 70°F Non-Shock
8" (DN200)	PVC or GFPP			

SW Series Swing Check Valves

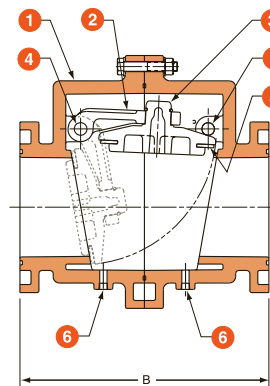
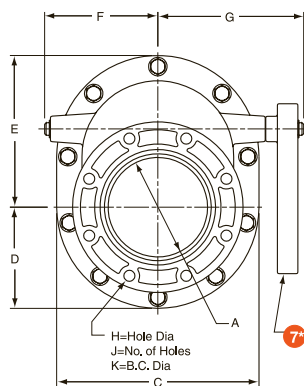
3" TO 6" PVC, CPVC AND GFPP AND 8" PVC AND GFPP

TECHNICAL INFORMATION, CONTINUED

PARTS LIST

1. Body
2. Swing Arm
3. Clapper
4. Shaft*
5. Seal
6. Drain Plug (2)
7. Counter Weight (Optional)

* PVC with PVC valves
 PVDF with GFPP Valves
 CPVC with CPVC valves



DIMENSIONS

SIZE in/DN	A in/mm	B in/mm	C in/mm	D in/mm	E in/mm	F in/mm	G in/mm	H in/mm	J in/mm	K in/mm	MINIMUM BACK PRESSURE TO CLOSE - PSI	WEIGHT lbs/kg
3/80	3.00/76	10.24/260	7.50/191	3.75/95	5.21/132	3.90/99	4.91/125	.62/16	4.00/102	6.00/152	3	10.00/4.54
4/100	3.90/99	11.81/300	9.25/235	4.63/118	6.75/171	4.80/122	6.15/156	.62/16	8.00/203	7.50/191	3	21.00/9.53
6/150	5.91/150	15.75/400	12.75/324	6.38/162	9.25/235	6.47/164	8.30/211	.75/19	8.00/203	9.50/241	3	47.00/21.32
8/200	7.87/200	19.69/500	16.00/406	8.00/203	12.00/305	8.96/228	11.54/293	.75/19	8.00/203	11.75/298	3	90.00/40.82

Dimensions are subject to change without notice – consult factory for installation information

Cv VALUES

SIZE in/DN	Cv VALUES	SIZE in/DN	Cv VALUES
3/80	328	6/150	1,278
4/100	514	8/250	2,549

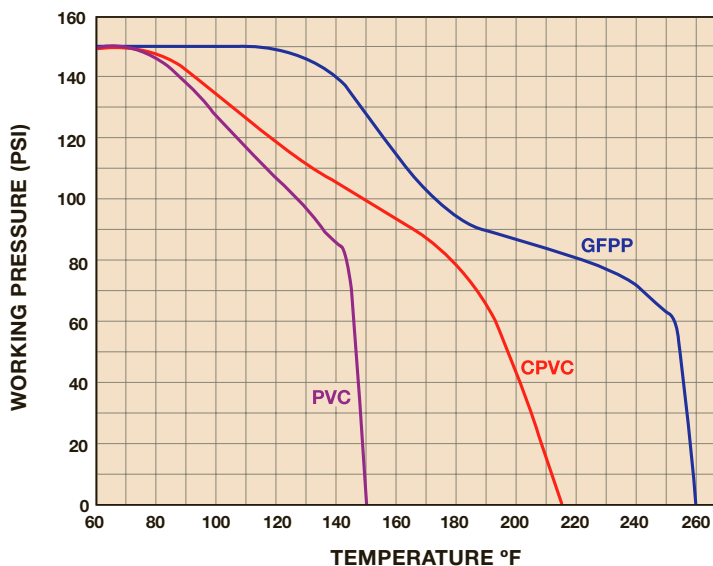
PRESSURE LOSS CALCULATION FORMULA

$$\Delta P = \left[\frac{Q}{C_v} \right]^2$$

ΔP = Pressure Drop
 Q = Flow in GPM
 Cv = Flow Coefficient

OPERATING TEMPERATURE/PRESSURE

3" TO 8" SWING CHECK VALVE



 Hayward is a registered trademark of Hayward Industries, Inc. © 2015 Hayward Industries, Inc.

Contact Hayward Flow Control with questions: **USA:** 1-888-429-4635 • Fax: 1-888-778-8410 • One Hayward Industrial Drive • Clemmons, NC 27012 USA
Canada: 1.888.238.7665 • Fax: 1.905.829.3636 • 2880 Plymouth Drive • Oakville, ON L6H 5R4 Canada • Email: hflowcanada@haywardnet.com
 Visit us at: www.haywardflowcontrol.com • E-mail: hflow@haywardnet.com