



FLV Series
PVC & CPVC Bag Filter
Product Guide

FLOW CONTROL

define
design

deliver

Hayward® Flow Control - Define, Design, Deliver...

For more than 80 years, Hayward Flow Control's leading thermoplastic fluid handling products and solutions have proven to excel in the harshest environments. Thousands of customers worldwide have installed our products into aggressive and corrosive systems, as well as delicate life support systems where the strictest chemical balance is required. We understand the rigorous demands of industrial piping and are committed to offering advantageous products for your application that will keep your systems working.

Introducing the newest member of the FLV Series, Hayward's new PVC and CPVC Bag Filters. Featuring molded in, true union connections, the PVC and CPVC FLV Series make installations easy. Made from PVC and CPVC materials, these bag filters are extremely robust and offer high chemical resistance, ideal for bleach and sodium hypochlorite solutions.

Available in Sizes 1 and 2 lengths with pipe sizes from 1-1/4" to 4", in Simplex through Quadplex assembly, the PVC and CPVC FLV Series provides flexibility for your piping systems. The new FLV design also includes Hayward's industry leading ergonomic cover design with liquid displacing dome, vent valve and drain plug.

Hayward Flow Control products carry an industry-leading, full two-year warranty. As an ISO 9001:2008 certified company, we strive for the highest quality product possible for use in a wide range of demanding applications.



Other Filtration Solutions from Hayward Flow Control...

GFPP FLV SERIES BAG & CARTRIDGE FILTERS

- Platinum Glass Filled Polypropylene Material
- One-Piece Injection Molded Construction with True Union Connections
- Hand Removable, Ergonomic Cover with Liquid Displacing Dome
- Vent Valve Included On Cover
- In-Line or Loop Configuration
- Integral Mounting Base
- Available for Bags or Cartridges
- Duplex and Triplex Assemblies



INDUSTRIAL FILTER BAGS

- PP Needle Felt, Polyester Needle Felt, PP Mesh or Nylon Mesh
- 1 to 800 Micron Ratings
- Thermoplastic Ring Seal
- Thermoplastic Flange Seal
- Heavy Duty Sewn or Welded Construction
- Silicone-Free



LS SERIES AQUATIC SAND FILTER

- Ideal for Sensitive Aquatic Environments or Salt Water Systems
- Integral Molded Drain Plug
- Integral Top Diffuser
- Efficient, Multilateral Underdrain Assembly
- Durable Flanged Inspection Cover
- Corrosion Resistant Thermoplastic Housing and Base
- All Wetted Hardware Manufactured from 316 Stainless Steel



HIGH CAPACITY PLEATED CARTRIDGES

- Multiple Micron Ratings for High Efficiency Filtration
- Available in 7" and 2-1/2" Diameters, Single and Double Length
- High Surface Area Design Provides Excellent Flow Rates and Comprehensive Service Life
- Thermally Bonded DOE End-Caps, Core and Filter Media
- Low Pressure Drop
- Multiple Layered Media Construction Guarantees Dependable Performance





FLV Series PVC & CPVC Bag Filters

SINGLE LENGTH – 16"
1-1/4" TO 2" PIPE SIZES

KEY FEATURES

- Available in PVC or CPVC Materials
- True Union End Connections - Socket, Threaded or Flanged
- Hand Removable, Ergonomic Cover with Liquid Displacing Dome
- Vent Valve Included On Cover
- Rated up to 100 GPM
- In-Line or Loop Flow Configurations
- Solid 1-Piece Basket
- Drain Port at Bottom
- Integral Mounting Base

KEY BENEFITS

- Easier Installations Due to True Union Connectivity
- Vertical Flow Flutes in Basket, No Bag Snag and More Flow Area

TYPICAL APPLICATIONS

- Water and Wastewater Treatment
- Desalinization, RO and Deionized Water Systems
- Chemical Processing
- Bleach & Sodium Hypochlorite Processing
- Metal Plating & Surface Finishing
- Aquatic and Animal Life Support Systems
- Marine and Corrosive Environments

OPTIONS

- Pressure Gauge with Gauge Guard
- Pressure Differential Gauge and Switch
- EPDM O-Ring Seals
- Duplex Configurations

MATERIALS

- PVC Cell Class 12454 per ASTM D1784
- CPVC Cell Class 23447 per ASTM D1784
- FPM Standard O-Ring Seals

TECHNICAL INFORMATION

SELECTION CHART

SIZE / BODY MATERIAL	END CONNECTIONS	PIPING SIZES	O-RING SEALS	PRESSURE RATING (BAR)
Single Length 7" x 16" PVC or CPVC	PVC (Socket, Threaded & Flanged)	1-1/4" – 2" rated @ 100 GPM*	FPM or EPDM	150 PSI @ 70°F Non-Shock (10 Bar / 1 MPa @ 21°C)
	CPVC (Socket, Threaded & Flanged)			

* May be Limited by Pipe Size or Bag Choice

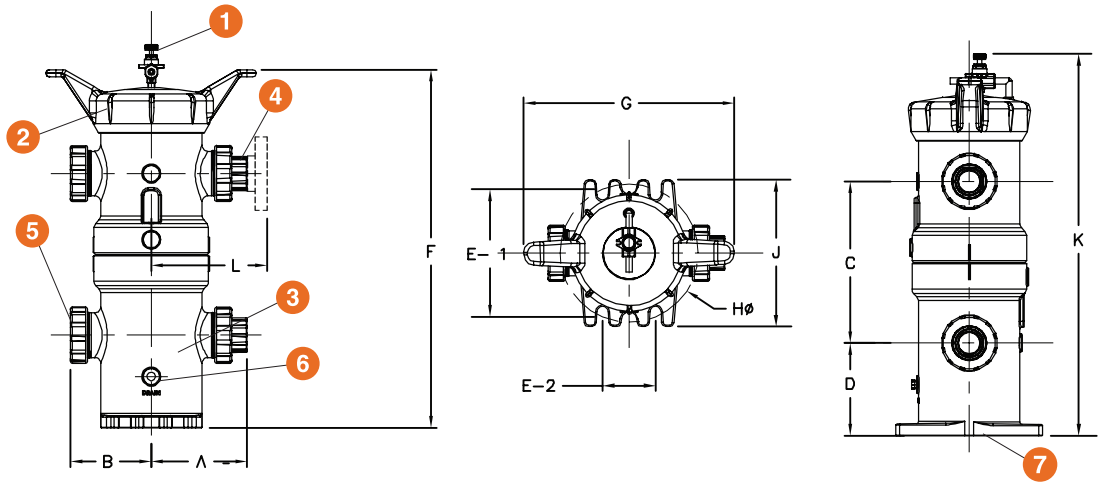
FLV Series PVC & CPVC Bag Filters

SINGLE LENGTH – 16"
1-1/4" TO 2" PIPE SIZES

TECHNICAL INFORMATION

PARTS LIST

1. Vent Valve (Included)
2. Cover
3. Filter Body
4. End Connectors
5. Assembly Nut
6. Drain Port & Plug with O-Ring
7. Integrally Molded Mounting Pad

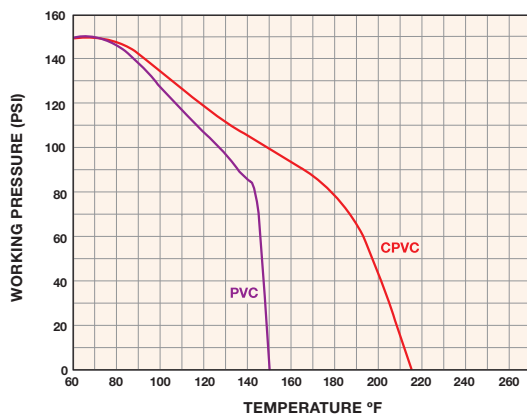


DIMENSIONS – INCHES / MILLIMETERS

FILTER SIZE in / DN	A in / mm	B in / mm	C in / mm	D in / mm	E1 in / mm	E2 in / mm	F in / mm	G in / mm	H ₀ B/C in / mm	K in / mm	L in / mm
1-1/4"	8.16 / 207	6.88 / 175	13.75 / 349	7.87 / 200	10.86 / 276	4.50 / 114	30.50 / 775	17.90 / 455	11.75 / 298	32.0 / 813	9.58 / 243
1-1/2"	8.07 / 205	6.88 / 175	13.75 / 349	7.87 / 200	10.86 / 276	4.50 / 114	30.50 / 775	17.90 / 455	11.75 / 298	32.0 / 813	9.66 / 245
2"	8.16 / 207	6.88 / 175	13.75 / 349	7.87 / 200	10.86 / 276	4.50 / 114	30.50 / 775	17.90 / 455	11.75 / 298	32.0 / 813	9.90 / 251

Dimensions are subject to change without notice – consult factory for installation information.

OPERATING TEMPERATURE / PRESSURE



SPECIFICATIONS

- Material of Construction:** PVC or CPVC
- Inlet Connections:** PVC (Socket, Threaded or Flanged)
CPVC (Socket, Threaded or Flanged)
- Outlet Connections:** PVC (Socket, Threaded or Flanged)
CPVC (Socket, Threaded or Flanged)
- Bag Size:** Bag Size #1: 7" x 16"
- Pressure Rating:** 150 PSI @ 70°F Non-Shock
- O-Ring Seals:** FPM or EPDM
- Bag Ratings:** 1, 5, 10, 25, 50, 100, 150, 200, 400, 600 and 800 Microns
- Flow Rate:** 100 GPM (May be Limited by Pipe Size or Bag Choice)
- Weight:** 50 lbs.



FLV Series PVC & CPVC Bag Filters

DOUBLE LENGTH 32"
1-1/4" TO 4" PIPE SIZES

KEY FEATURES

- Available in PVC or CPVC Materials
- True Union End Connections - Socket, Threaded or Flanged
- Hand Removable, Ergonomic Cover with Liquid Displacing Dome
- Vent Valve Included on Cover
- Rated up to 100 GPM Flow Rates
- In-Line or Loop Flow Configurations
- Solid 1-Piece Basket
- Drain Port at Bottom
- Integral Mounting Base

KEY BENEFITS

- Easier Installations Due to True Union Connectivity
- Vertical Flow Flutes in Basket, No Bag Snag and More Flow Area

TYPICAL APPLICATIONS

- Water and Wastewater Treatment
- Desalinization, RO and Deionized Water Systems
- Chemical Processing & Handling
- Bleach & Sodium Hypochlorite Processing
- Food and Beverage
- Metal Plating & Surface Finishing
- Aquatic and Animal Life Support Systems
- Marine and Corrosive Environments

OPTIONS

- Pressure Gauge with Gauge Guard
- Pressure Differential Gauge and Switch
- EPDM O-Ring Seals
- Duplex Configuration

MATERIALS

- PVC Cell Class 12454 per ASTM D1784
- CPVC Cell Class 23447 per ASTM D1784
- FPM Standard O-Ring Seals

TECHNICAL INFORMATION

SELECTION CHART

SIZE / BODY MATERIAL	END CONNECTIONS	PIPING SIZES	O-RING SEALS	PRESSURE RATING (BAR)
Double Length 7" x 32" PVC or CPVC	PVC (Socket, Threaded & Flanged)	1-1/4" – 4" rated @ 100 GPM*	FPM or EPDM	150 PSI @ 70°F Non-Shock (10 Bar / 1 MPa @ 21°C)
	CPVC (Socket, Threaded & Flanged)			

* May be Limited by Pipe Size or Bag Choice

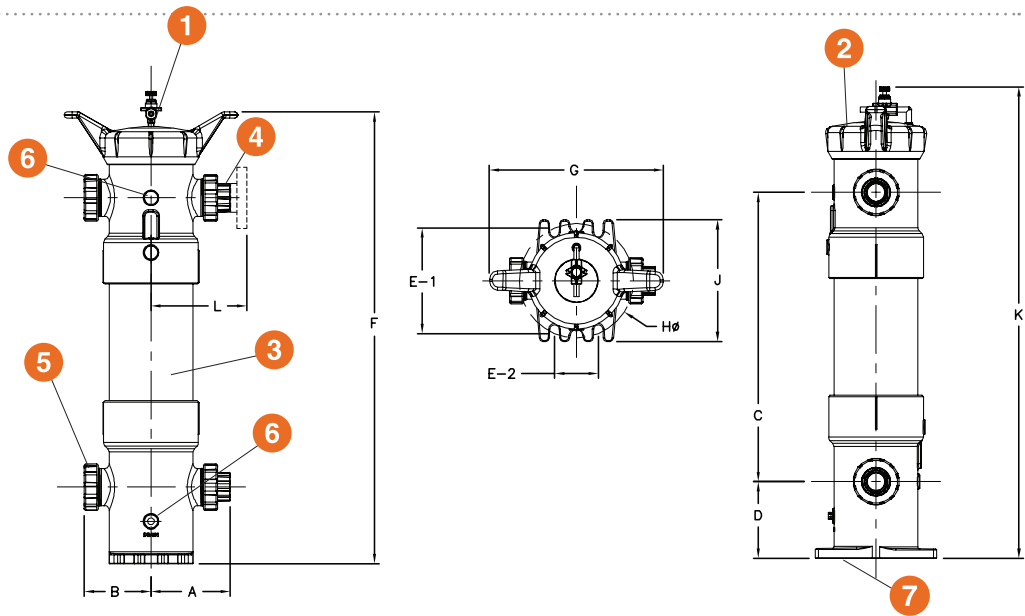
FLV Series PVC & CPVC Bag Filters

DOUBLE LENGTH – 32"
1-1/4" TO 4" PIPE SIZES

TECHNICAL INFORMATION

PARTS LIST

1. Vent Valve (Included)
2. Cover
3. Filter Vessel Body
4. End Connector
5. Assembly Nut
6. Drain Port & Plug with O-Ring
7. Integrally Molded Mounting Pad

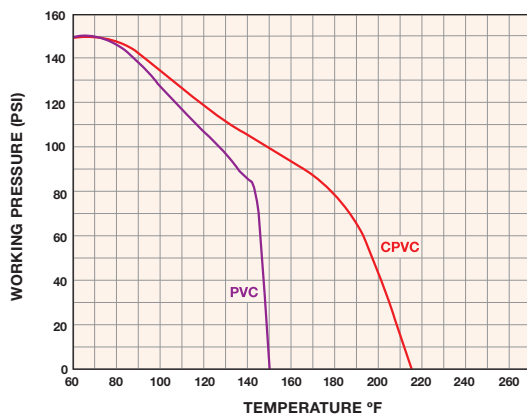


DIMENSIONS – INCHES / MILLIMETERS

FILTER SIZE in / DN	A in / mm	B in / mm	C in / mm	D in / mm	E1 in / mm	E2 in / mm	F in / mm	G in / mm	Hø B/C in / mm	J in / mm	K in / mm	L in / mm
1-1/4" / 32	8.16 / 207	6.88 / 175	29.75 / 756	7.87 / 200	10.86 / 276	4.50 / 114	46.50 / 1181	17.90 / 455	11.75 / 298	12.50 / 318	48.0 / 1219	9.58 / 243
1-1/2" / 40	8.07 / 205	6.88 / 175	29.75 / 756	7.87 / 200	10.86 / 276	4.50 / 114	46.50 / 1181	17.90 / 455	11.75 / 298	12.50 / 318	48.0 / 1219	9.66 / 245
2" / 50	8.16 / 207	6.88 / 175	29.75 / 756	7.87 / 200	10.86 / 276	4.50 / 114	46.50 / 1181	17.90 / 455	11.75 / 298	12.50 / 318	48.0 / 1219	9.90 / 251
2-1/2" / 65	8.92 / 227	7.50 / 191	29.75 / 756	7.87 / 200	10.86 / 276	4.50 / 114	46.50 / 1181	17.90 / 455	11.75 / 298	12.50 / 318	48.0 / 1219	10.96 / 278
3" / 80	8.83 / 224	7.50 / 191	29.75 / 756	7.87 / 200	10.86 / 276	4.50 / 114	46.50 / 1181	17.90 / 455	11.75 / 298	12.50 / 318	48.0 / 1219	10.85 / 276
4" / 100	9.24 / 235	7.50 / 191	29.75 / 756	7.87 / 200	10.86 / 276	4.50 / 114	46.50 / 1181	17.90 / 455	11.75 / 298	12.50 / 318	48.0 / 1219	11.70 / 297

Dimensions are subject to change without notice – consult factory for installation information.

OPERATING TEMPERATURE / PRESSURE



SPECIFICATIONS

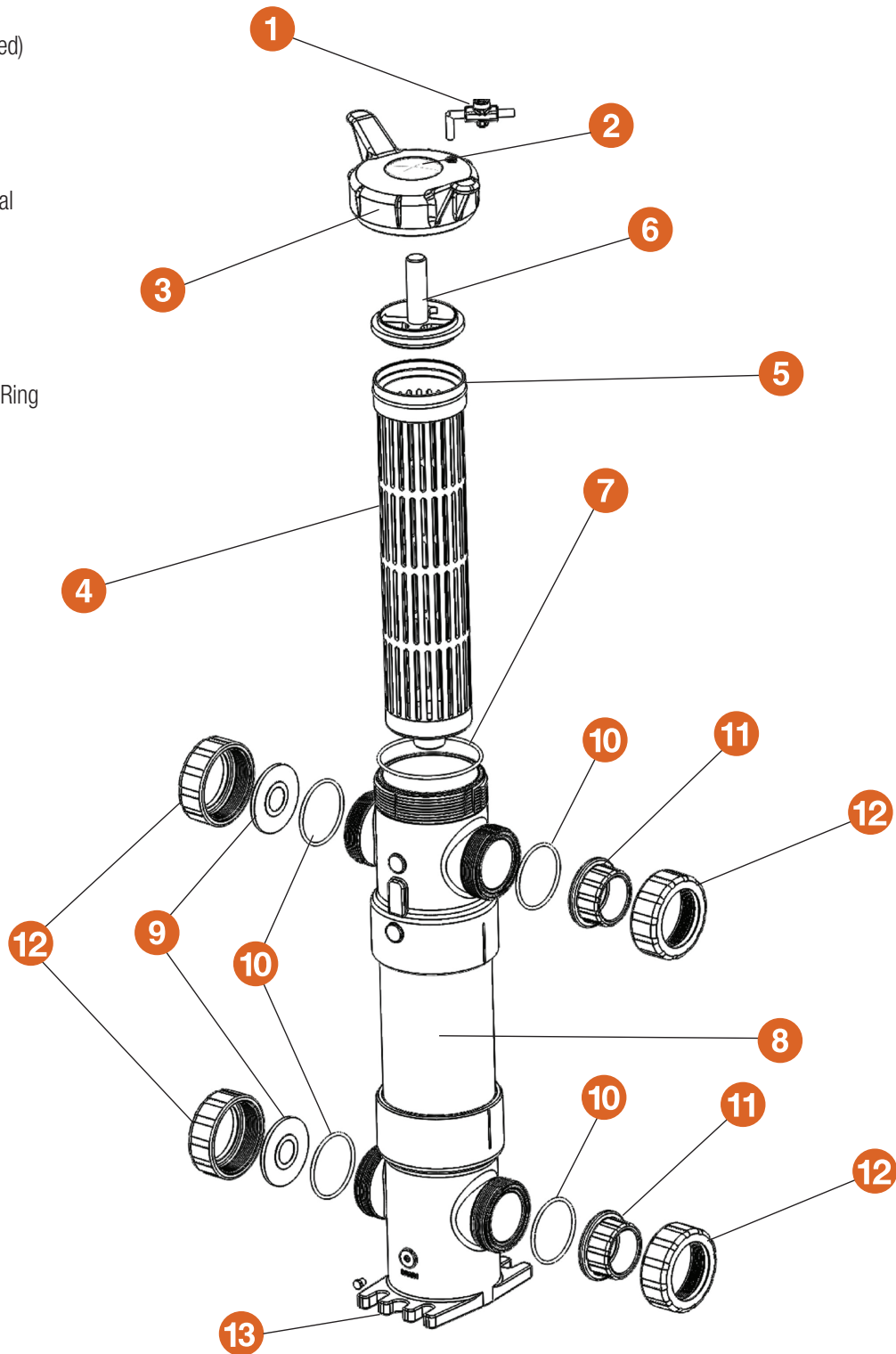
- Material of Construction:** PVC or CPVC
- Inlet Connections:** PVC (Socket, Threaded and Flanged)
CPVC (Socket, Threaded and Flanged)
- Outlet Connections:** PVC (Socket, Threaded and Flanged)
CPVC (Socket, Threaded and Flanged)
- Bag Size:** Bag Size #2: 7" x 32"
- Pressure Rating:** 150 PSI @ 70°F Non-Shock
- O-Ring Seals:** FPM or EPDM
- Bag Ratings:** 1, 5, 10, 25, 50, 100, 150, 200, 400, 600 and 800 Microns
- Flow Rate:** 100 GPM (May be Limited by Pipe Size or Bag Choice)
- Weight:** 71 lbs.

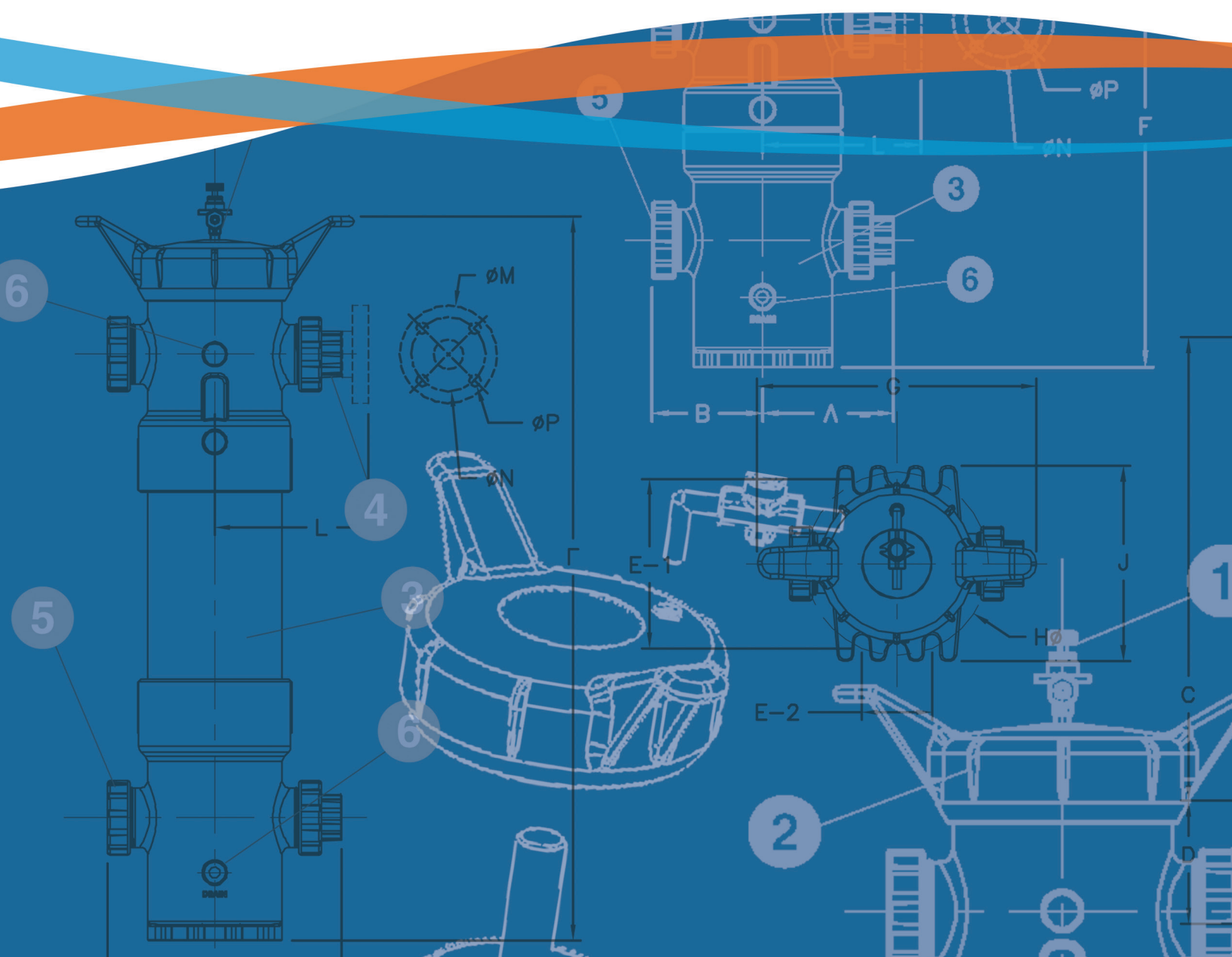
FLV Series PVC & CPVC Filters

EXPLODED VIEW

TOTAL PART LIST

1. Vent Valve (Included)
2. Hayward Bezel
3. Cover
4. Basket
5. Basket O-Ring Seal
6. Bag Retainer
7. Cover O-Ring
8. Filter Body
9. End Cap
10. End Connector O-Ring
11. End Connector
12. Assembly Nut
13. Integrally Molded Mounting Pad





Hayward is a registered trademark
of Hayward Industries, Inc.
© 2016 Hayward Industries, Inc.

C/PVC-FLV0216

Contact Hayward Flow Control with questions: **USA:** 1.888.429.4635 • Fax: 1.888.778.8410 • One Hayward Industrial Drive • Clemmons, NC 27012 USA
Canada: 1.888.238.7665 • Fax: 1.905.829.3636 • 2880 Plymouth Drive • Oakville, ON L6H 5R4 Canada • Email: hflowcanada@hayward.com
Visit us at: www.haywardflowcontrol.com • Email: hflow@hayward.com