

NEW PRODUCT PREVIEW
HLS SERIES
ADVANCED SUBMERSIBLE
PRESSURE LEVEL
TRANSMITTER

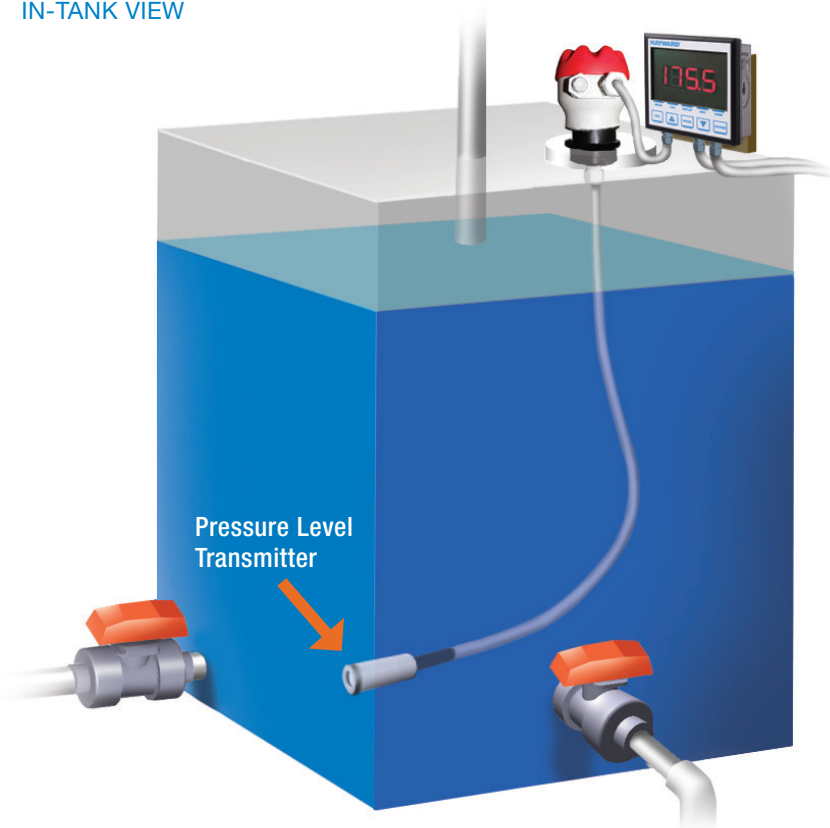
The HLS Series level sensor employs advanced sensor technology to ensure highly accurate and repeatable measurements in a wide range of corrosive liquid applications.


KEY FEATURES & BENEFITS

- Unaffected by surface foaming, waves or headspace vapors
- All CPVC housing
- Al₂O₃ (Alumina) diaphragm
- Triple sealed cable entry into body
- Available with FPM or EPDM seals
- Available with 0-15 ft or 0-33 ft of level range
- 30 and 50 ft FEP coated cable standard (lengths to 1000 feet available)
- 10-35 VDC powered
- Direct analog 4-20mA output signal
- 0.25% accuracy full scale
- Laser printed sensor details on body
- Full range of accessories available

SPECIFICATIONS

Dimensions L x Dia.	5.8 in long x 1.25 in dia. (14.7 cm long x 3.1 cm dia.)
Range	0-15 ft (6.5 psi) and 0-33 ft (14.3 psi) of water column
Standard Cable Length	30 ft with the 0-15 ft level sensor; 50 ft with the 0-33 ft level sensor
Cable	Vented, 4 conductor, FEP cover
Temperature	30°F (non-freezing) to 140°F
Temperature Effects	+/- 1.5% TEB (Total Error Band = linearity+hysteresis+ repeatability+zero and span settings+temperature effects)
Power Requirement	10-35 VDC
Output Signal	4-20 mA, scaled for full sensor range
Body	CPVC per ASTM D1784, cell classification 23447

IN-TANK VIEW


HLS Series

ADVANCED PRESSURE LEVEL TRANSMITTER

SENSOR OUTPUT VS LIQUID HEIGHT

0-15 FOOT SENSORS, 1.0 S.G. LIQUID

Liquid Height ft / m	0	2.3 / 0.7	10 / 3	15 / 4.6
Pressure at sensor PSI / kPa	0	1.0 / 6.9	4.3 / 29.7	6.5 / 44.8
Output mA	4	6.45	14.7	20

0-33 FOOT SENSORS, 1.0 S.G. LIQUID

Liquid Height ft / m	0	10 / 3	20 / 6.1	33 / 10.1
Pressure at sensor PSI / kPa	0	4.3 / 29.6	8.7 / 60	14.3 / 98
Output mA	4	8.8	14.7	20

WIRING

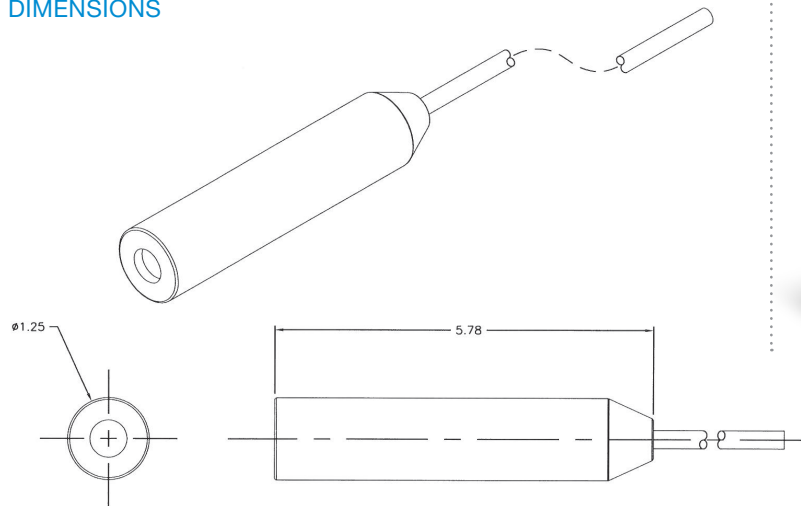
The FEP-coated cable provides four elements and a breather capillary. The Capillary must be protected from entry of moisture or debris, so an **HLSMP Moisture Protection Volume** or equal device should be attached to the top of the capillary.

RED = 10-35 VDC +, 4-20mA +
 BLACK = 10-35 VDC -, 4-20mA -
 GREEN = Ground
 SILVER = Shield

ACCESSORIES

- HLSMP Moisture Protection Volume
- HLSDB NEMA 4X Enclosure, Power Supply (if needed), Terminal Block
- HLSDBPS NEMA 4X Enclosure, HMP-11, Power Supply (if needed), Terminal Blocks
- Ceramic Sink Weights for High Specific Gravity Fluids
- HLST200 Indicating Level Transmitter, Configurable Display, Separate Temperature Channel

DIMENSIONS



Hayward is a registered trademark of Hayward Industries, Inc.
 © 2016 Hayward Industries, Inc.

NPP0516

Contact Hayward Flow Control with questions:

USA: 1.888.429.4635 • Fax: 1.888.778.8410 • One Hayward Industrial Drive • Clemmons, NC 27012 • Email: hflow@hayward.com
Canada: 1.888.238.7665 • Fax: 1.905.829.3636 • 2880 Plymouth Drive • Oakville, ON L6H 5R4 • Email: hflowcanada@hayward.com
 Visit us at: haywardflowcontrol.com