



FLV Series Simplex Bag Filters

SINGLE LENGTH – 16" GFPP
1-1/4" TO 2" PIPE SIZES

KEY FEATURES

- Platinum Glass Filled Polypropylene
- One-Piece Injection Molded Construction
- Hand Removable, Ergonomic Cover with Liquid Displacing Dome
- Vent Valve Included On Cover
- Rated up to 100 GPM
- True Union Socket, Threaded or Flanged End Connections
- In-Line or Loop Flow Configurations
- Solid Basket
- Drain Port at Bottom
- Integral Mounting Base
- Easier Installations Due to True Union Connectivity
- Vertical Flow Flutes in Basket, No Bag Snag and More Flow Area

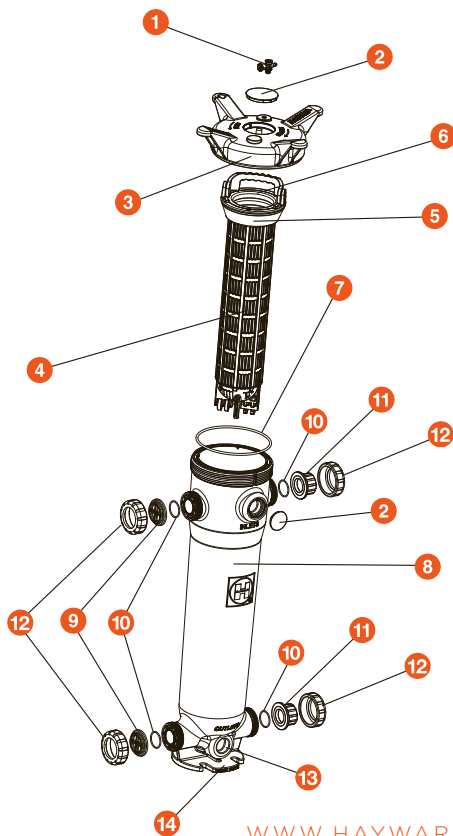
OPTIONS

- Gauge with Gauge Guard
- Pressure Differential Gauge and Switch
- EPDM O-Ring Seals
- Cartridge Adapters
- Hinged Basket
- 316 Stainless Steel Basket

MATERIALS

- GFPP per ASTM D4101, Cell Class 85580
- FPM Standard O-Ring Seals

EXPLODED VIEW



TECHNICAL INFORMATION

SELECTION CHART

SIZE / BODY MATERIAL	END CONNECTIONS	PIPING SIZES	O-RING SEALS	PRESSURE RATING
Single Length 7" x 16" GFPP	GFPP (Threaded and Flanged)	1-1/4" – 2" / 32-50 rated @ 100 GPM*	FPM or EPDM	150 PSI @ 70°F Non-Shock
	PVC (Socket)			
	CPVC (Socket)			

* May be Limited by Pipe Size or Bag Choice

FLV Series Simplex Bag Filters

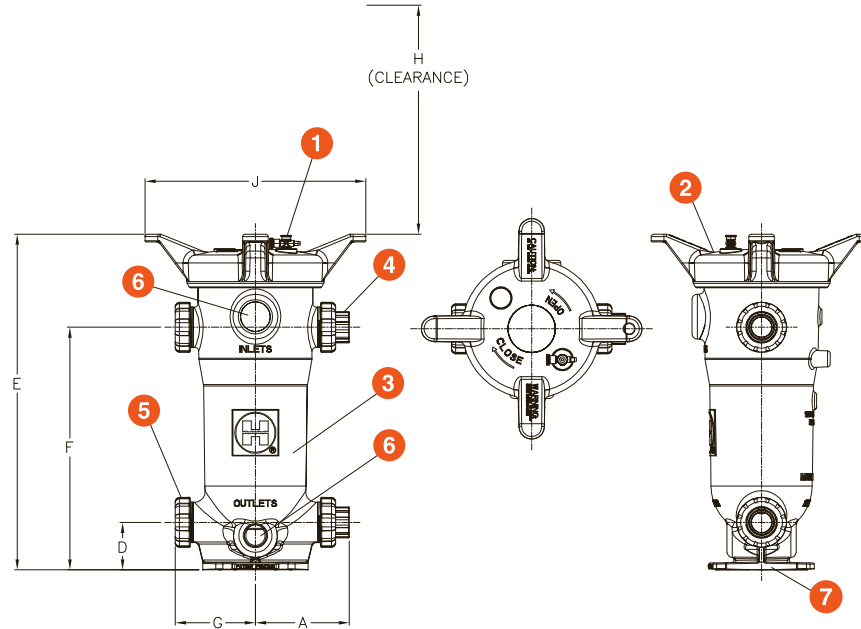
SINGLE LENGTH – 16" GFPP
1-1/4" TO 2" PIPE SIZES

TECHNICAL INFORMATION, CONTINUED

PARTS LIST*

1. Vent Valve (Included)
2. Cover
3. Filter Body
4. End Connector
5. Assembly Nut
6. Alternate 2" NPT Ports
7. Integrally Molded Mounting Pad

* See page 8 for a complete Parts List



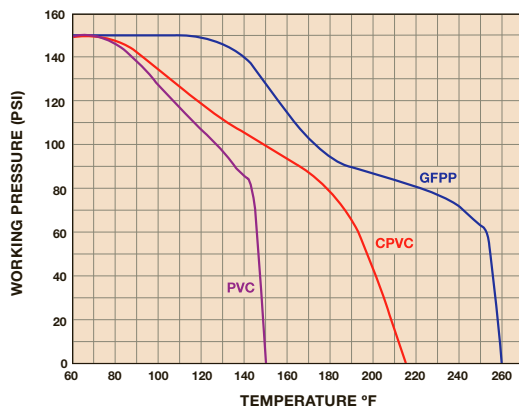
DIMENSIONS

FILTER SIZE in / DN	A in / mm	D in / mm	E in / mm	F in / mm	G in / mm	H* in / mm	J in / mm
1-1/4" / 32	8.86 / 225	4.50 / 114	31.83 / 808	23.00 / 584	7.60 / 193	15.25 / 387	20.93 / 532
1-1/2" / 40	8.86 / 225	4.50 / 114	31.83 / 808	23.00 / 584	7.60 / 193	15.25 / 387	20.93 / 532
2" / 50	8.91 / 226	4.50 / 114	31.83 / 808	23.00 / 584	7.60 / 193	15.25 / 387	20.93 / 532

Dimensions are subject to change without notice – consult factory for installation information

* Clearance from top for basket removal

OPERATING TEMPERATURE / PRESSURE SPECIFICATIONS



Material of Construction: GFPP

Inlet Connections: GFPP (Threaded and Flanged)
PVC (Socket)
CPVC (Socket)

Outlet Connections: GFPP (Threaded and Flanged)
PVC (Socket)
CPVC (Socket)

Bag Size: Bag Size #1: 7" x 16"

Pressure Rating: 150 PSI @ 70°F Non-Shock

O-Ring Seals: FPM or EPDM

Bag Ratings: 1, 5, 10, 25, 50, 100, 150, 200, 400, 600 and 800 Microns

Flow Rate: 100 GPM (May be Limited by Pipe Size or Bag Choice)

Weight: 47.8 lbs.



Hayward is a registered trademark of Hayward Industries, Inc. © 2015 Hayward Industries, Inc.

Contact Hayward Flow Control with questions: **USA:** 1-888-429-4635 • Fax: 1-888-778-8410 • One Hayward Industrial Drive • Clemmons, NC 27012 USA
Canada: 1.888.238.7665 • Fax: 1.905.829.3636 • 2880 Plymouth Drive • Oakville, ON L6H 5R4 Canada • Email: hflowcanada@haywardnet.com
Visit us at: www.haywardflowcontrol.com • E-mail: hflow@haywardnet.com