

DAB Series Flanged Diaphragm Valves

1/2" TO 4" PVC, CPVC, PP AND PVDF, 6" PVC, PP AND PVDF, 8" PP AND PVDF AND 10" PP

KEY FEATURES

- PVC, CPVC, PP and PVDF
- Position Indicator
- Sure-Grip Handwheel
- Choice of FPM, EPDM or PTFE Diaphragms*

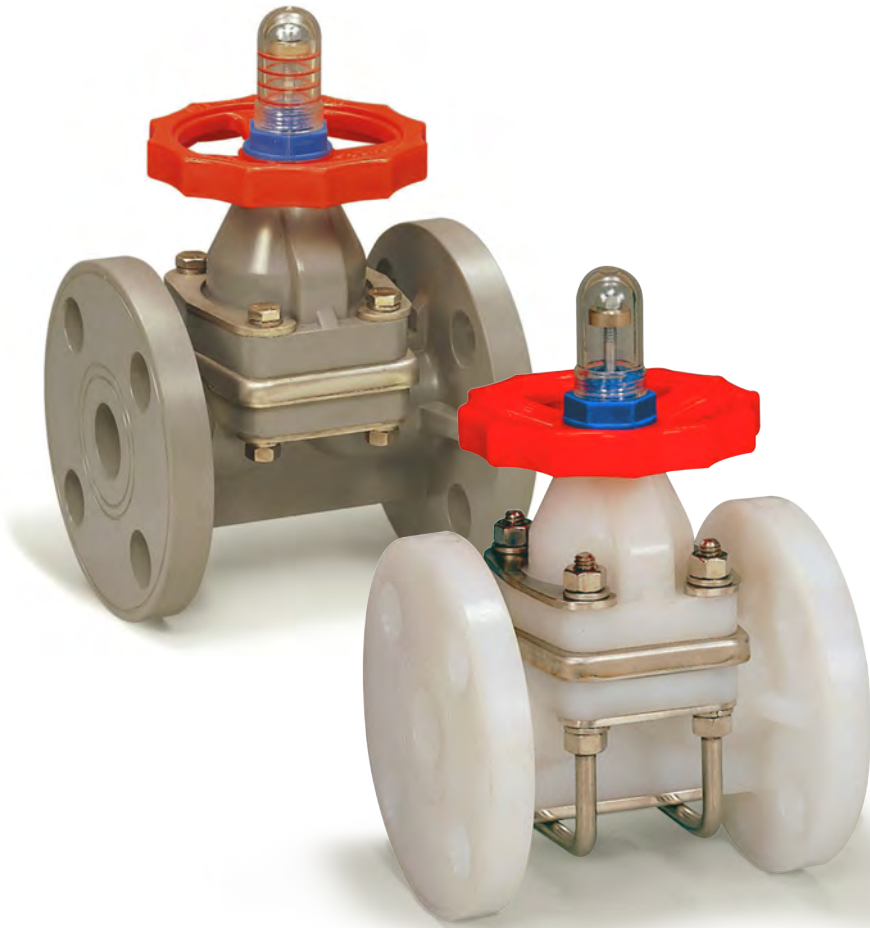
OPTIONS

- Pneumatic or Electric Actuation
- Over 4" Actuation, Consult Factory
- PVDF Vapor Barrier***

MATERIALS

- PVC Cell Class 12454 per ASTM D1784
- CPVC Cell Class 23447 per ASTM D1784
- PP per ASTM D4101
- PVDF
- FPM, EPDM and PTFE O-Ring Seals

* All PTFE diaphragms are EPDM backed
 *** PVDF Vapor Barrier available with PTFE diaphragm only


TECHNICAL INFORMATION

EXPLODED VIEW



SELECTION CHART

SIZE	MATERIAL	END CONNECTION	DIAPHRAGM	PRESSURE RATING
1/2" – 4" (DN15 – DN100)	PVC	Flanged	FPM, EPDM or PTFE*	150 PSI @ 70°F Non-Shock
6" (DN150)				75 PSI @ 70°F Non-Shock
1/2" – 4" (DN15 – DN100)	CPVC			150 PSI @ 70°F Non-Shock
1/2" – 4" (DN15 – DN100)				150 PSI @ 70°F Non-Shock
6" – 10" (DN150 – DN250)	PP		75 PSI @ 70°F Non-Shock	
1/2" – 4" (DN15 – DN100)	PVDF		PTFE*	150 PSI @ 70°F Non-Shock
6" – 8" (DN150 – DN250)		75 PSI @ 70°F Non-Shock		

DAB Series Flanged Diaphragm Valves

1/2" TO 4" PVC, CPVC, PP AND PVDF, 6" PVC, PP AND PVDF, 8" PP AND PVDF AND 10" PP

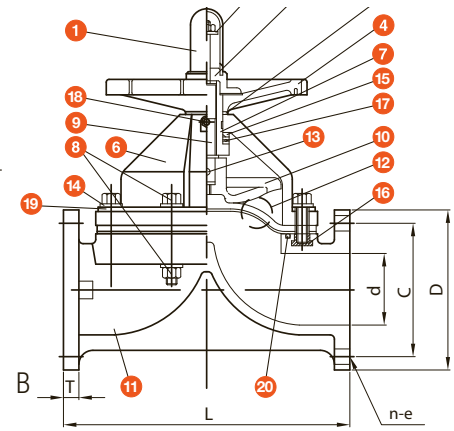
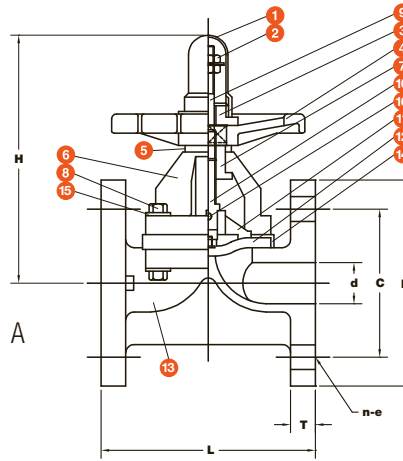
TECHNICAL INFORMATION, CONTINUED

1/2" – 10" PARTS LIST (A)

- | | |
|------------------|---------------------------|
| 1. Gauge Cap | 10. Spindle |
| 2. Stopper Nut | 11. Compressor |
| 3. Lock Nut | 12. Diaphragm |
| 4. Hand Wheel | 13. Body |
| 5. Thrust Washer | 14. Diaphragm Cover Plate |
| 6. Bonnet | 15. Washer |
| 7. Sleeve | 16. Pin |
| 8. Bolt and Nut | |
| 9. Stem | |

1/2" – 8" PARTS LIST (B)

- | | |
|------------------|-------------------------|
| 1. Gauge Cap | 11. Body |
| 2. Stopper Nut | 12. Diaphragm |
| 3. Lock Nut | 13. Pin |
| 4. Hand Wheel | 14. Washer |
| 5. Thrust Washer | 15. PTFE Ring |
| 6. Bonnet | 16. Inserted Nut |
| 7. Sleeve | 17. Thrust Ball Bearing |
| 8. Bolt and Nut | 18. Grease Nipple |
| 9. Stem | 19. SUS Plate |
| 10. Compressor | 20. Body O-Ring |



DIMENSIONS

SIZE in/DN	C in/mm	d in/mm	D in/mm	H in/mm	L in/mm	T in/mm	n-e # x diameter
1/2/15	2.38/60	.63/16	3.50/89	3.78/96	4.33/110	.47/12	4-15.7
3/4/20	2.76/70	.79/20	3.86/98	3.94/100	4.72/120	.51/13	4-15.7
1/25	3.13/80	.98/25	4.25/108	4.25/108	5.20/132	.55/14	4-15.7
1-1/4/32	3.50/89	1.20/30	4.65/118	5.75/146	5.20/132	.55/14	4-15.7
1-1/2/40	3.85/98	1.60/41	5.00/127	7.76/197	7.09/180	.63/16	4-15.7
2/50	4.75/121	2.00/51	6.00/152	8.58/218	8.27/210	.70/18	4-19
2-1/2/65	5.50/140	2.55/65	6.90/175	10.24/260	9.88/251	.79/20	4-19
3/80	6.00/152	3.03/77	7.50/191	10.63/270	11.02/280	.83/21	4-19
4/100	7.50/191	3.94/100	9.00/229	11.81/300	13.50/343	.83/21	8-19
6/150	9.50/241	5.70/145	11.00/279	18.74/476	18.80/478	1.06/27	8-22
8/200	11.70/297	7.64/194	13.50/343	24.69/627	22.44/570	1.24/31	8-22
10/250*	14.25/362	9.72/247	16.00/406	17.55/699	26.70/678	1.46/37	12-25

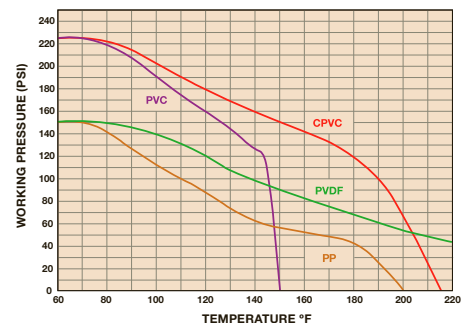
Dimensions are subject to change without notice – consult factory for installation information

* 10" available in PP only

Cv VALUES

SIZE in/DN	Cv VALUES	SIZE in/DN	Cv VALUES	SIZE in/DN	Cv VALUES	SIZE in/DN	Cv VALUES
1/2/15	5.0	1-1/4/30	18.0	2-1/2/65	80.0	6/150**	400.0
3/4/20	8.0	1-1/2/40	26.0	3/80	115.0	8/200	700.0
1/25	10.0	2/50	56.0	4/100	190.0	10/250	1000.0

OPERATING TEMPERATURE/PRESSURE



 Hayward is a registered trademark of Hayward Industries, Inc. © 2015 Hayward Industries, Inc.

Contact Hayward Flow Control with questions: **USA:** 1-888-429-4635 • Fax: 1-888-778-8410 • One Hayward Industrial Drive • Clemmons, NC 27012 USA
Canada: 1.888.238.7665 • Fax: 1.905.829.3636 • 2880 Plymouth Drive • Oakville, ON L6H 5R4 Canada • Email: hflowcanada@haywardnet.com
 Visit us at: www.haywardflowcontrol.com • E-mail: hflow@haywardnet.com