

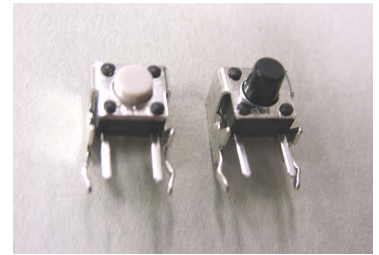


Tactile Switches 6mm × 6mm Side Push

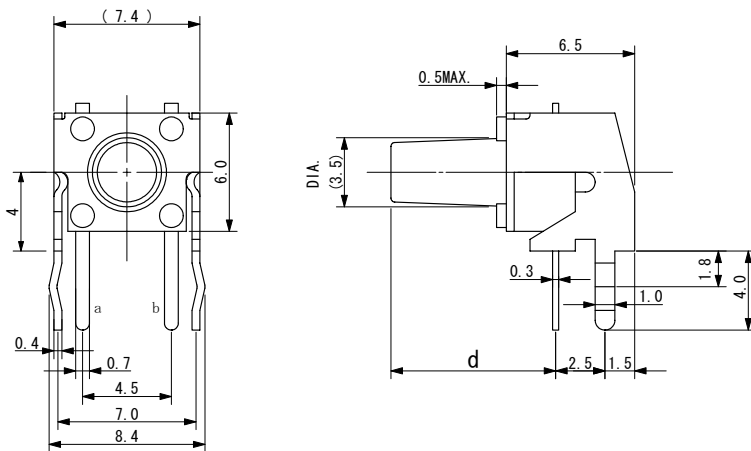
General

■ Features

- Crisp clicking by tactile feedback
- Prevent flux rise by insert-molded terminal
- Ground terminal is attached
- Snap-in mount terminal

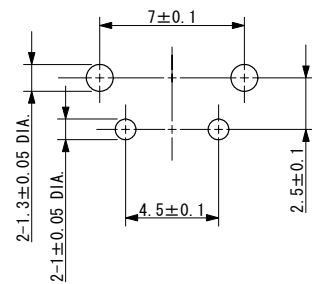


■ Dimensions (Unit : mm)

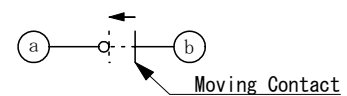


■ Recommended Mounting Hole Dimensions

(Unit : mm)



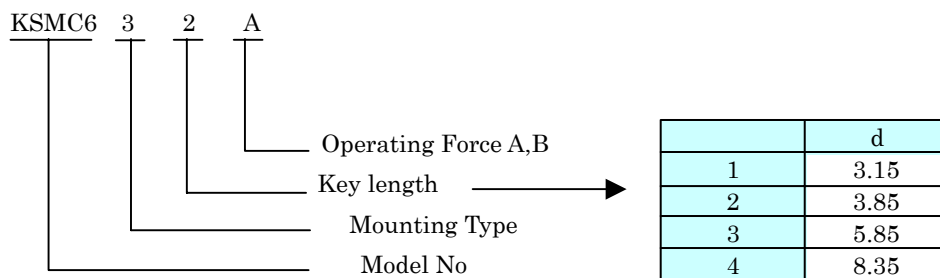
■ Circuit Diagram



■ Specifications

Item	Specification	Unit	Note
Operating Temperature Range	-20 ~ +70	°C	
Storage Temperature Range	-40 ~ +85	°C	
Type of Operation	Tactile Feedback		
Contact Configuration	Push-On Momentary, 1 pole-1 Throw		
Power Rating	MAX 50mA 24VDC		
Contact resistance	MAX 100	mΩ	
Insulation Voltage	100MΩ Min. at 100VDC		
Dielectric withstand Voltage	250VAC for 1 minute		
Contact Bounce	MAX 5	ms	
Operating Force	0.98±0.49	N	A Type
	1.57±0.49	N	B Type
Return Force	MIN 0.10	N	A Type
	MIN 0.49	N	B Type
Travel	0.25 +0.2/-0.1	mm	

■ Model Designation



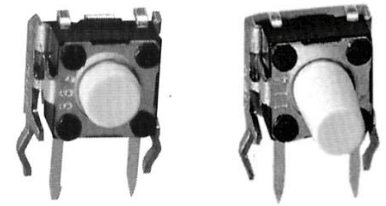


Tactile Switches 6mm × 6mm Side Push

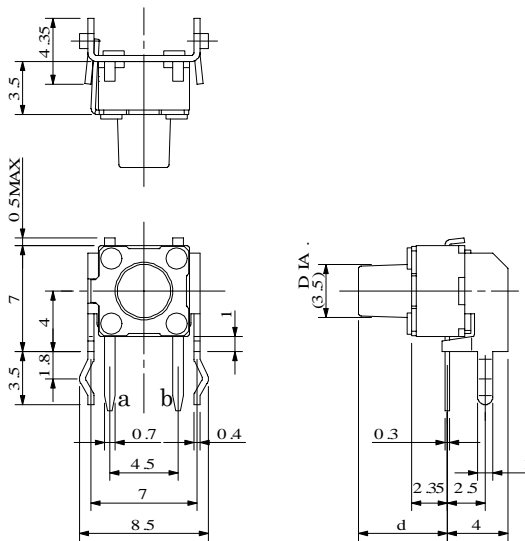
Operating Force 2.55N

■ Features

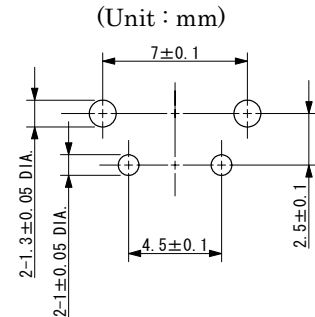
- Crisp clicking by tactile feedback
- Prevent flux rise by insert-molded terminal
- Ground terminal is attached
- Snap-in mount terminal



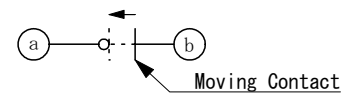
■ Dimensions (Unit : mm)



■ Recommended Mounting Hole Dimensions



■ Circuit Diagram



■ Specifications

Item	Specification	Unit	Note
Operating Temperature Range	-20~+70	°C	
Storage Temperature Range	-40~+85	°C	
Type of Operation	Tactile Feedback		
Contact Configuration	Push-On Momentary, 1 pole-1 Throw		
Power Rating	MAX 50mA 24VDC		
Contact resistance	MAX 100	mΩ	
Insulation Voltage	100MΩ Min. at 100VDC		
Dielectric withstand Voltage	250VAC for 1 minute		
Contact Bounce	MAX 5	ms	
Operating Force	2.55±0.69	N	
Return Force	MIN 0.49	N	
Travel	0.25 +0.2/-0.1	mm	

■ Model Designation

