

Surge Current Type High Power Chip Resistor

Hokuriku Electric Industry Co.,Ltd



[Model No.]

PCR**

[Features]

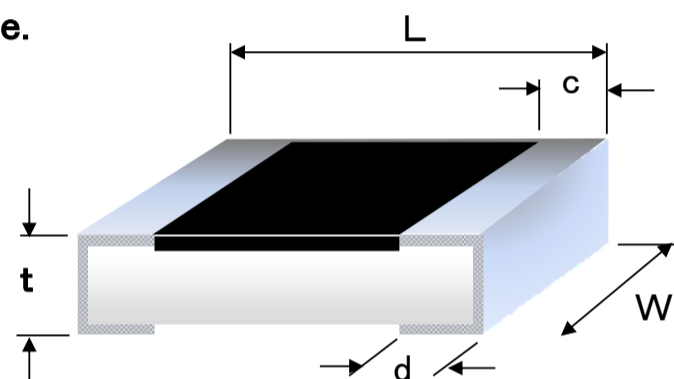
■ HDK original elements, structure utilized excellent surge/pulse durability, chip resistor.



■ Industry highest rating guarantee is possible.

Since 0.30W is guaranteed with 1608 size and 0.50W is guaranteed with 2012 size, reduction of parts count (man-hour control) and VA by size-down (reduction of parts cost and mounting area) is possible.

■ Reflow, Flow solderings are applicable.



[Dimensions]

(Unit: mm)

| Model No. | L | W | t | c | d |
|-----------|-----------------|-----------------|-----------------|-----------|-----------|
| PCR16 | 1.60±0.15 | 0.80+0.20/-0.10 | 0.50+0.15/-0.05 | 0.25±0.20 | 0.25±0.20 |
| PCR20 | 2.00+0.20/-0.10 | 1.25+0.20/-0.10 | 0.50+0.15/-0.05 | 0.40±0.20 | 0.40±0.20 |

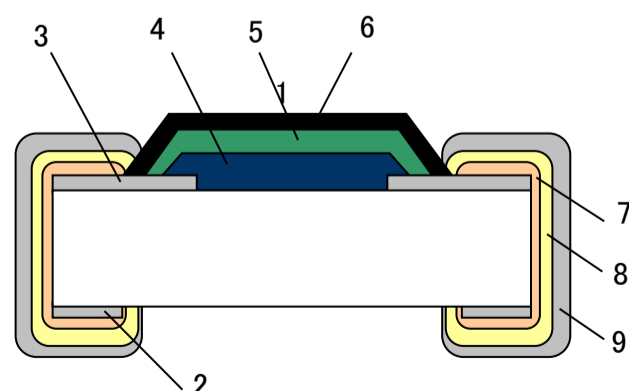
[Specification]

| Model No. | Rated power(W) | Tolerance | Range (Ω) | TCR(ppm/°C) | Max. Working voltage | Max. Overload voltage |
|-----------|----------------|-----------|-----------|-------------|----------------------|-----------------------|
| PCR16 | 0.30 | J(±5.0%) | 10~1M | ±200 | 150V | 200V |
| | | F(±1.0%) | | ±100 | | |
| | | D(±0.5%) | | | | |
| PCR20 | 0.43 | J(±5.0%) | 10~1M | ±200 | 150V | 200V |
| | | F(±1.0%) | | ±100 | | |
| | | D(±0.5%) | | | | |

※ Operating temperature range : -55~+155°C

[Structure]

| No. | Element Name |
|-----|--------------------|
| 1 | Ceramic substrate |
| 2 | Back electrode |
| 3 | Top electrode |
| 4 | Resistive element |
| 5 | Protective coat I |
| 6 | Protective coat II |
| 7 | Side electrode |
| 8 | Ni plating |
| 9 | Sn plating |



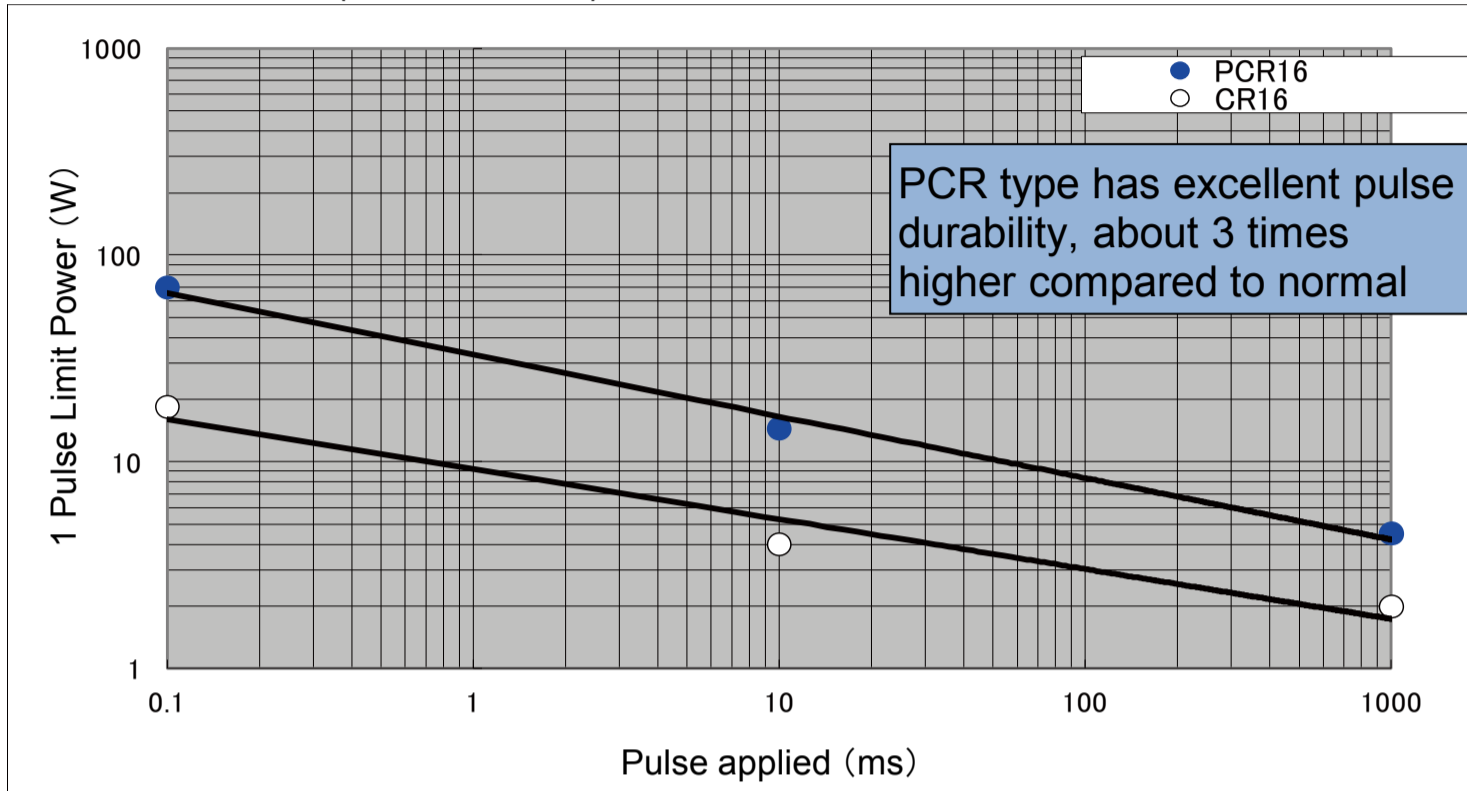
* Design specification are subject to change without prior notice. Please check before purchase and use.

HOKURIKU



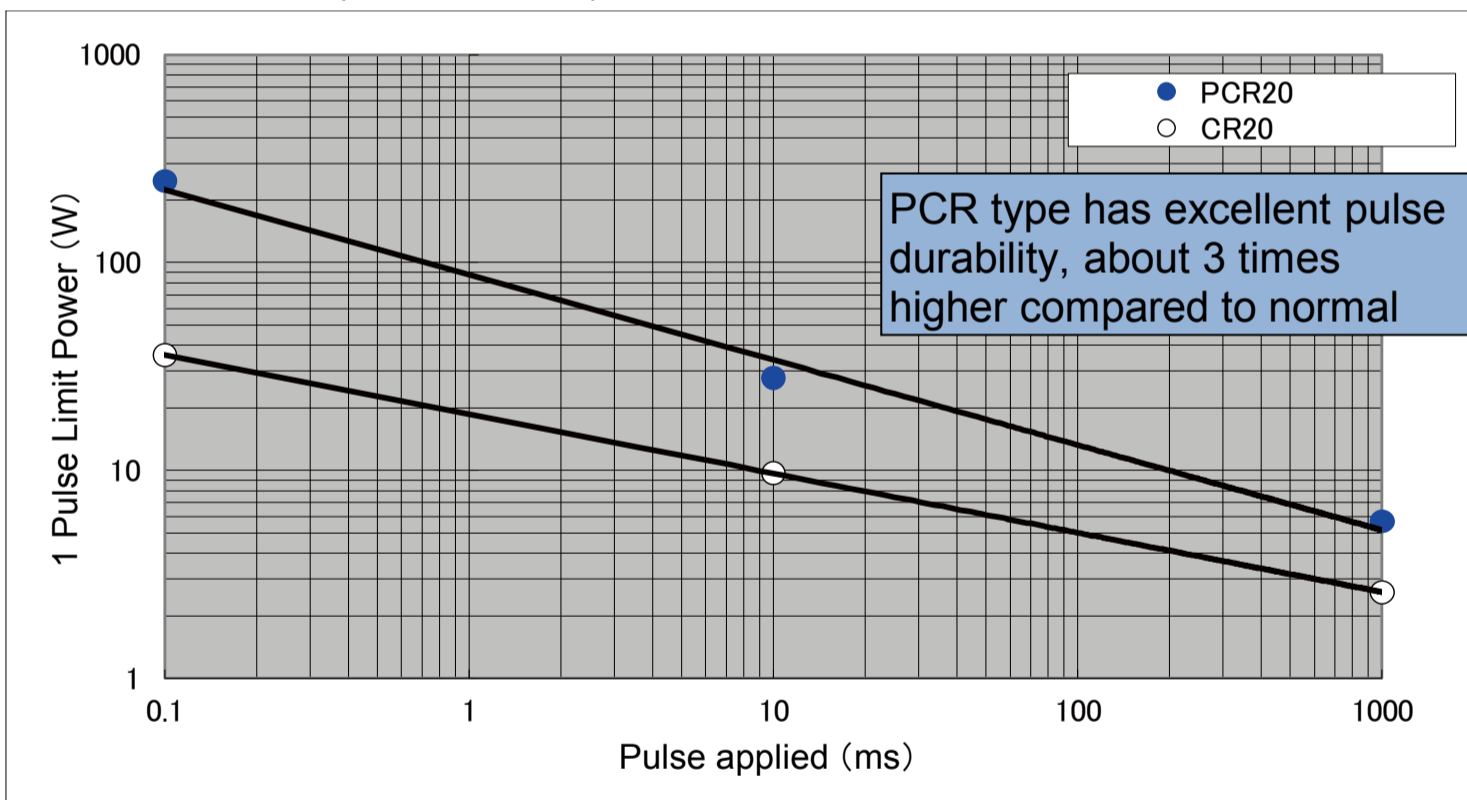
[One Pulse Limit Curve]

PCR16 Actual value (for reference)



PCR type has excellent pulse durability, about 3 times higher compared to normal

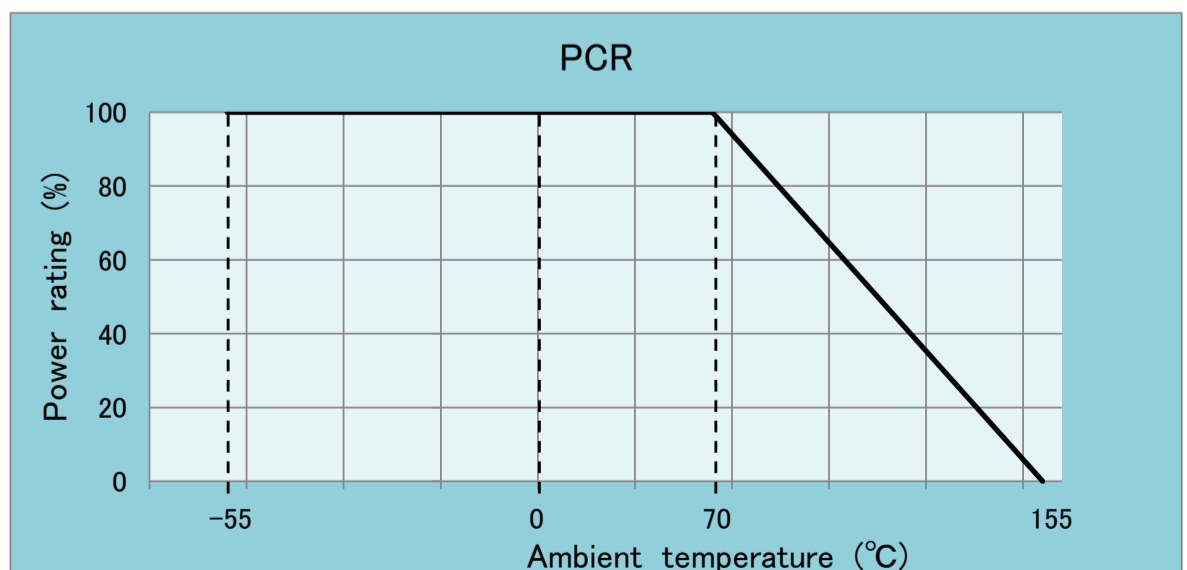
PCR20 Actual value (for reference)



PCR type has excellent pulse durability, about 3 times higher compared to normal

[Power rating]

■ For resistors operated in ambient temperature above 70°C, power rating must be derated in accordance with the derating curve.



* Design specifications are subject to change without prior notice. Please check before purchase and use.