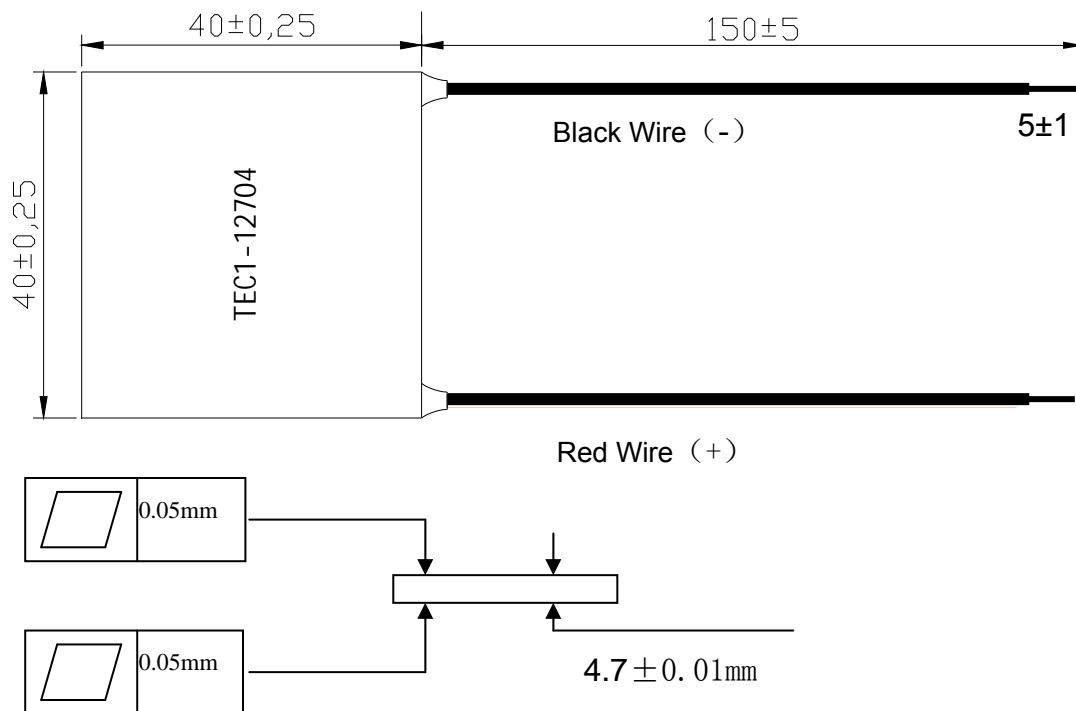




Specification

Item Number	TEC1-12704
Device Outline	See picture below
Heat-shrink tube on the end of wire	Not available
Wire Criteria	1.20AWG UL 1674, PVC insulated 2.Standard 105°C tinned copper wire 3.General length:150±5mm 4.Length of tinning without outer sphere on the end of wire:5±1.0mm
Resistance (ohms)	Environment Temperature 20°C, 1KHZ, 2.85-3.15 (ohms)
Packing	Foam box, each box 50pcs
Printing	See picture below



Other Requirement:

- 1.Working Temperature: -55°C to + 80°C
- 2.Assembled overwhelm force: 60lb/Sq.In.
- 3.P/N Couples:127 couples
- 4.Imax:4.0±0.5A (15.4VCD)
- 5.Vmax:15.4 VDC
- 6.Qcmax:33.4W (15.4VDC)
- 7.Resistance range:AC-R 2.85-3.15 Ω (Surrounding Temperature 20°C 1KHZ)
- 8.ΔTmax:≥66°C
- 9.Wire should be soldered on the hot side
- 10.20AWG UL 1674, PVC insulated, Standard 105°C tinned copper wire
- 11.Resistance will be changed according to environment, environment temperature increase or decrease 1°C crease or decrease 0.015