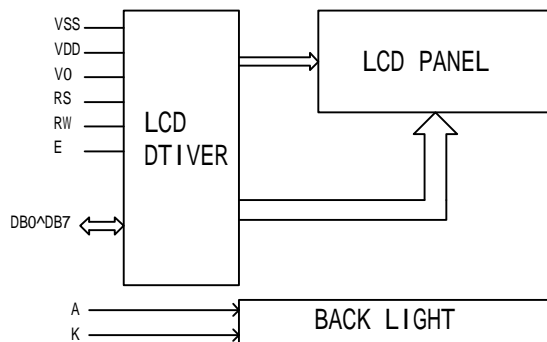


Pin	Symbol
1	VSS
2	VDD
3	VO
4	RS
5	RW
6	E
7~14	DB0~DB7
15	A
16	K



Display character address code

Display position	1	16. 17... 20
DDRAM address	00	0F 10... 13
DDRAM address	40	4F 51... 53
DDRAM address	14	23 24... 27
DDRAM address	53	63 64... 67

### Mechanical thickness

LCD module thickness	T1	T2	UNIT
Without or EL Backlight	5.0	9.6	mm
With Edge Led Backlight	---	---	mm
With Led Bottom Backlight	9.6	14.2	mm

<http://www.hebeitd.com.cn/?p=LCM>

PERFORMANCE FEATURES	
LC FLUID:	STN/POSITIVE
SUPPLY VOLTAGE:	VDD=5.0V/3.3V
POLARIZER:	TRANSFLECTIVE 1/16DUTY 1/5BIAS
VIEWING ANGLE:	6:00
COLOR:	YG/BLUE
BACKLIGHT:	LED
TEMPERATURE RANGE:	-20° C TO 70° C

Mechanical data		
Item	Standard	Unit
Module size	98.0*60.0	mm
View area	76.0*25.2	mm
Dot size	0.55*0.55	mm
Character size	2.95*4.75	mm

DRAWN BY:	DOC.: ATM2004D-FL-YBW	
CHECKED BY:	DWG NO: ATM2004D-FL-YBW	
APPROVED BY:	DATE: 2016.01.02	SCALE: UNIT: mm
CONFIRMED BY:	SHEET NO: 1 of 1	