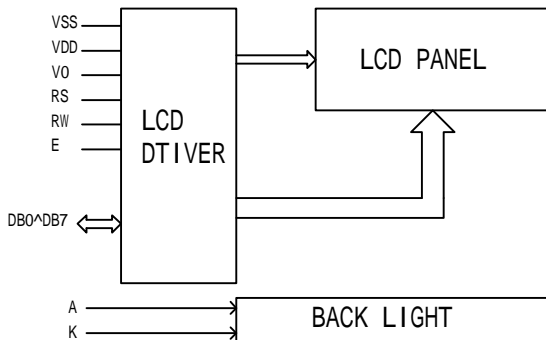


Pin	Symbol
1	VSS
2	VDD
3	VO
4	RS
5	RW
6	E
7~14	DB0~DB7
15	A
16	K



Mechanical thickness

LCD module thickness	T1	T2	UNIT
Without or EL Backlight	3.7	8.5	mm
With Edge Led Backlight	---	---	mm
With Led Bottom Backlight	9.0	13.0	mm

Display character address code

Display position	1	2	3	4	5	6	7	8
DDRAM address	00	01	02	03	04	05	06	07H
DDRAM address	40	41	42	43	44	45	46	47H

Electronical characteristics

Item	Symbol	Condition	Stand			Unit
			Min	Typ	Max	
Operating voltage		VDD=5.0V	4.7	5.0	5.5	V
operating current	IDD	VDD=5.0V	---	1.5	4	mA
Recommended LCD driving voltage for normal temp module	VLCD	TA=+25°C	---	4.3	---	V
		TA=0°C	---	4.5	---	
		TA=-20°C	---	4.8	---	
Backlight voltage	VLED	Y-G	---	4.2	5.0	
Backlight current	ILED	VF=4.2V	---	50	---	mA
Operating temperature	T0	-----	-20	---	70	°C
Storage temperature	TS	-----	-30	---	80	

<http://www.hebeيتد.com.cn/?p=LCM>

PERFORMANCE FEATURES	
LC FLUID:	STN/POSITIVE
SUPPLY VOLTAGE:	VDD=5.0V/3.3V
POLARIZER:	TRANSFLECTIVE 1/16DUTY 1/5BIAS
VIEWING ANGLE:	6:00
COLOR:	YELLOW
BACKLIGHT:	LED-YG
TEMPERATURE RANGE:	-20° C TO 70° C

Mechanical data

Item	Standard	Unit
Module size	40.0*35.4	mm
View area	30.4*13.9	mm
Dot size	0.55*0.55	mm
Character size	2.95*4.75	mm

DRAWN BY:	DOC. : ATM0802A-FL-YBW	
CHECKED BY:	DWG NO: ATM0802A-FL-YBW	SCALE:
APPROVED BY:		UNIT: mm
CONFIRMED BY:	DATE: 2016.01.02	SHEET NO: 1 of 1