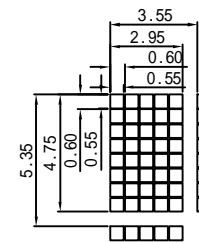
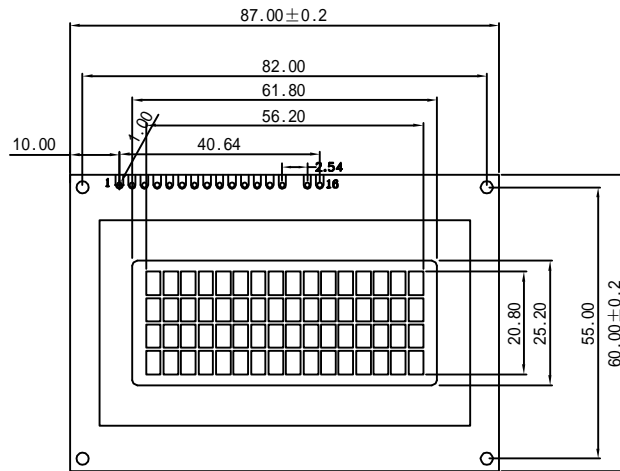


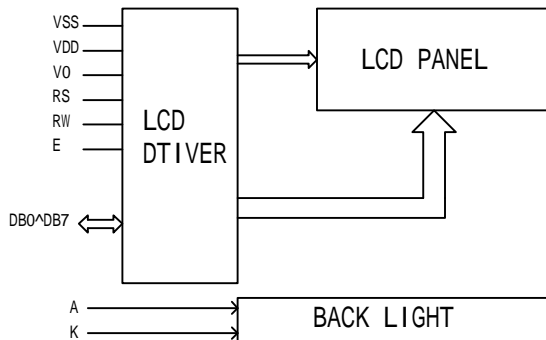


Hebei I.T. (Shanghai) Co., Ltd

ATM1604C-FS-BBW



Pin	Symbol
1	VSS
2	VDD
3	VO
4	RS
5	RW
6	E
7~14	DB0~DB7
15	A
16	K



Display character address code

Display position	1	2..8	9..15	16
DDRAM address	00	01..02		0F
DDRAM address	40	41..42		4F
DDRAM address	10	11..12		1F
DDRAM address	50	51..52		5F

Mechanical thickness

LCD module thickness	T1	T2	UNIT
Without or EL Backlight	4.6	9.5	mm
With Edge Led Backlight	---	---	mm
With Led Bottom Backlight	8.6	13.5	mm

<http://www.hebeitd.com.cn/?p=LCM>

PERFORMANCE FEATURES	
LC FLUID:	STN/POSITIVE
SUPPLY VOLTAGE:	VDD=5.0V/3.3V
POLARIZER:	TRANSFLECTIVE 1/16DUTY 1/5BIAS
VIEWING ANGLE:	6:00
COLOR:	YG/BLUE
BACKLIGHT:	LED
TEMPERATURE RANGE:	-20° C TO 70° C

Mechanical data		
Item	Standard	Unit
Module size	87.0*60.0	mm
View area	61.8*25.2	mm
Dot size	0.55*0.55	mm
Character size	2.95*4.75	mm

DRAWN BY:	DOC.: ATM1604C-FS-BBW	
CHECKED BY:	DWG NO: ATM1604C-FS-BBW	
APPROVED BY:	DATE: 2016.01.02	SCALE: UNIT: mm
CONFIRMED BY:		SHEET NO: 1 OF 1