

# 6226 Foot Switches

# herga

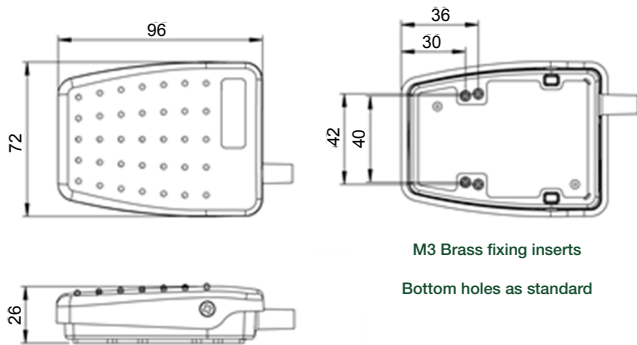
Technology Ltd

For IPX7/IPX8 single & double pole switching  
UL Approved / IEC 60601-1

- Low profile, rear hinged switch designed for improved user comfort
- All plastic construction with raised tread pattern and anti-slip pad
- Versatile and innovative design make it an ideal product for OEM use
- Switches designed to meet medical, industrial/office/commercial standards
- Option for customers to fit own cable



## Reference dimensions



## General specifications

Standards/approvals	Footswitch: EN 60950, EN 60601-1:2006, UL 60601-1:2005, ANSI/AAMI ES60601-1:2005/(R)2012, CSA-C22.2 No 60601-1:14, UL File N° E353500	Operating temperature range	-20 to +60°C
Degree of protection	EN 60529 IPX7 (IPX8 upon request)	Body material	Thermoplastic
Connection method	Stripped cable cores or connector of your choice	Weight	0.14Kg (including cable)
Electrical rating	Max. 3A 24V AC/DC	Additional information	Customized versions available (logos, cordsets, colours, guards)
Contact configuration	SPST N/O, SPST N/C, SPNO, DPST N/O, DPST N/C, DPCO		



# 6226 Foot Switches

For IPX7/IPX8 single & double pole switching  
UL Approved / IEC 60601-1

## 6226: Ordering and options

Stock models : 6226-ACBB-ZBZZ-000  
6226-BCBB-ZAZZ-000

6226 - [ ] [ ] [ ] [ ] - [ ] [ ] [ ] [ ] - 0 0 0

### Model

#### Cover & base colours (A,B,C,D,L or N)

- |   |                           |   |                           |
|---|---------------------------|---|---------------------------|
| A | Black cover & Black base  | D | Green cover & Black base  |
| B | Grey cover & Black base   | L | Blue cover & Black base   |
| C | Yellow cover & Black base | N | Orange cover & Black base |

#### Base configuration (A,B,C or D)

- |   |  |
|---|--|
| A | Base fitted with M3 brass inserts                |
| B | Base fitted with Neoprene pad                    |
| C | Base fitted with M3 brass inserts & Neoprene pad |
| D | Base fitted with Anti-slip Feet                  |

#### Switching action (A,B,C, or D)

- |   |   |   |   |
|---|---|---|---|
| A | Single pole normally open (Cherry) microswitch (SC)   | D | Double pole normally open (Cherry) microswitches Two stage (DA) |
| B | Single pole change over (Cherry) microswitch (CC)     |   |   |
| C | Double pole normally open (Cherry) microswitches (DO) |   |   |

#### Electrical rating (A,B or C)

- |   |   |
|---|---|
| A | Gold contact microswitch (Max. rating 0.1A, 24 V AC/DC)   |
| B | Silvercontact microswitch (Max. rating 1.75A, 24 V AC/DC) |

#### IEC 60601-1 & UL 60601-1, 2-core cable at 2m length

- |   |                            |   |                    |
|---|----------------------------|---|--------------------|
| A | Cable 2-core Grey          | B | Cable 2-core Black |
| C | Cable 2-core Grey screened | Z | No cable chosen    |

#### IEC 60601-1 & UL 60601-1, 3-core cable at 2m length

- |   |                            |   |                    |
|---|----------------------------|---|--------------------|
| A | Cable 3-core Grey          | B | Cable 3-core Black |
| C | Cable 3-core Grey screened | Z | No cable chosen    |

#### IEC 60601-1 & UL 60601-1, 4-core cable at 2m length

- |   |                            |   |                    |
|---|----------------------------|---|--------------------|
| A | Cable 4-core Grey          | B | Cable 4-core Black |
| C | Cable 4-core Grey screened | Z | No cable chosen    |

#### Non cable variants - microswitch flying leads only (A or Z)

- |   |  |
|---|--|
| A | Microswitch change over - fitted with flying leads 450mm long ( Max. rating 3A, 24V AC/DC) |
| Z | No option chosen   |

#### Special attributes

000 indicates no special attribute option chosen (product as standard matrix)  
001 through 999 indicates special attributes

Note : Suitability of special attributes may not be covered by UL  
Examples: Customer specified cable/cordset with or without plug (Max. rating 3A, 24V AC/DC)  
Cable length variation if different from 2m  
Customer specified identification and label combination  
Guard or special base