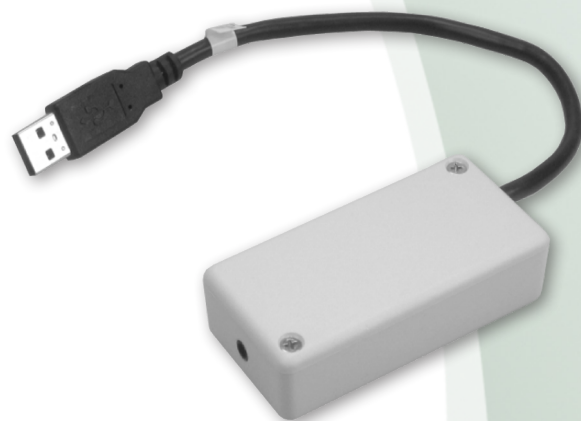
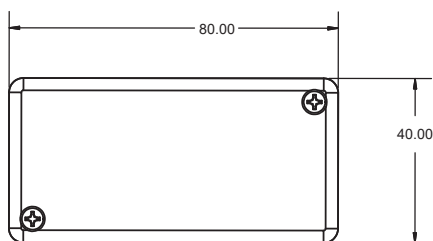


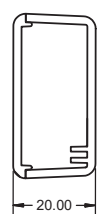
- Connect any footswitch to a computer USB port
- Programmable to simulate up to four simultaneous keyboard functions
- No software required
- Standard USB footswitches are restricted to 3M of cable, the USB dongle allows for increased operating distance
- Can be used for medical/dental imaging, transcription, video/sound editing, gaming and any other application where repeated keystrokes are required



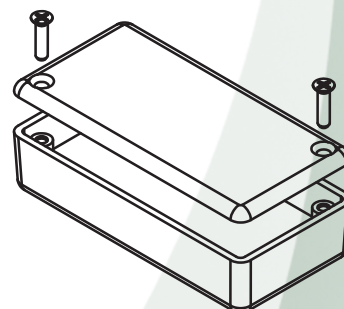
Reference dimensions



TOP VIEW



SECTIONAL VIEW



Specifications

Standards/approvals	Footswitch: low voltage directive 2014/35/EU, EN 60950
Operating system	Windows, Mac & Linux
Connection method	3m USB cable (max) and 0.25m of 2 core cable for customer connection
Electrical rating	Power: 5V 25mA
Degree of protection	EN 60529 IPX2
Operating temperature	0°C to + 60°C
Body material	ABS
Dimensions	80 x 40 x 20mm
Weight	75g

Setting the function

Release the two screws with a screwdriver The lid will then come away revealing the switches.

Find the Key (or combination of keys you require on the tables below and set SW1, 2 or 3 to "ON" accordingly.

For test purposes the footswitch is supplied with the switches set to the character 'a'

Key	SW1	SW2	SW3
a	7	2	
b	4	5	
c	3	4	
d	7	4	
e	5	4	
f	7	5	
g	8	5	
h	8	6	
i	5	7	
j	7	6	
k	7	7	
l	7	8	
m	3	6	
n	4	6	
o	5	8	
p	5		5
q	5	2	
r	5	5	
s	7	3	
t	6	5	
u	5	6	
v	3	5	
w	5	3	
x	3	3	
y	6	6	
z	3	2	

Key	SW1	SW2	SW3
1 (!)	1	2	
2 (")	1	3	
3 (#)	1	4	
4 (\$)	1	5	
5 (%)	2	5	
6 (^)	2	6	
7 (&)	1	6	
8 (*)	1	7	
9 (())	1	8	
0 ())	1		5

Key	SW1	SW2	SW3
F1	2	3	
F2	2	4	
F3	6	4	
F4	8	4	
F5	1	1	
F6	8	7	
F7	6	8	
F8	2	8	
F9	2		2
F10	1		2
F11	8		2
F12	4		2

Key	SW1	SW2	SW3
ESC	8	2	
TAB	6	2	
Space	8		1
Enter	3		2
Num Lock	3		1
Win	6		6
Caps Lock	6	3	
↑	8		7
↓	4		1
→	4		8
←	4		7
+	5		7
-	4		9
*	3		9
/	3		8
/?	4		5
Print Scrn	1		4
[{	6		5
]}	6	7	
::	7		5
~ #	3		5
.>	3	8	
<.	3	7	
_ -	2		5
= +	2	7	
\	8	3	
Back space	6		2
'@	8		5
Calc	6		3

Key	SW1	SW2	SW3
1 End	7		1
2 ↓	7		8
3 PgDn	7		9
4 ←	6		1
5	6		8
6 →	6		9
7 Home	5		1
8 ↑	5		8
9 PgUp	5		9
0 Ins	8		8
. Del	8		9

Key	SW1	SW2	SW3
Page Up	7		3
Page Down	8		3
Home	2		7
End	1		7
Insert	2		8
Delete	2		1
Key	SW1	SW2	SW3
CTRL			10
ALT			11
SHIFT			12

Before replacing the dongle lid, test the required keystroke function. This is done by plugging the dongle into a USB port on the PC then pressing the keystroke on the keyboard.

