

6433 Panel Mount Bellows

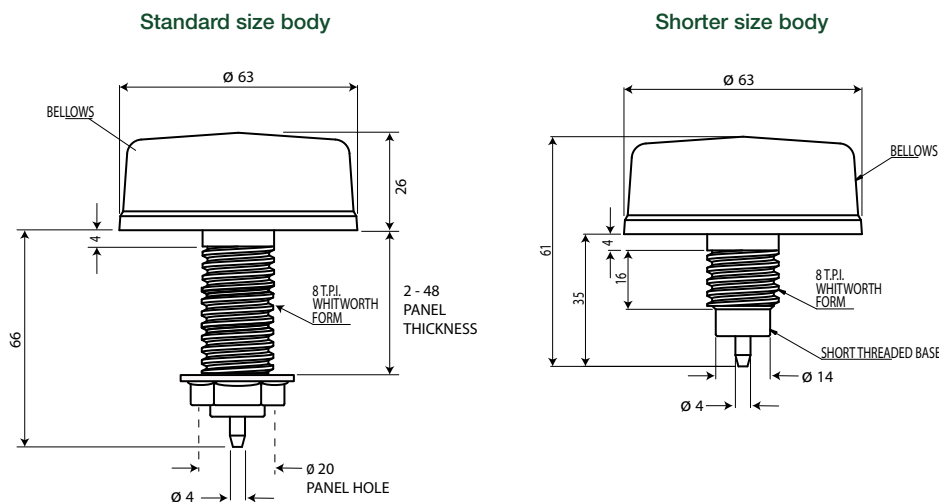
herga

Technology Ltd

- Durable bellows designed for panel mounting
- Available with shorter shank upon request
- Easily cleaned



Reference dimensions



Ordering and options

Stock model: 6433-ZC00

6433 - Z C 0 0

Model

Colour option -

- A Black
- B Grey
- C White
- D Red
- F Green

Mounting	Through panel with integral thread & nut
Air connection	Spout, 4mm dia.
Panel thickness	2.0mm to 48.0mm
Tube reference	2311-01 or 2311-08

General specifications

Standards/approvals	n/a
Degree of protection	EN 60529 IPX4
Connection method	Via back entry spout, 4mm dia.
Electrical rating	n/a
Contact configuration	n/a
Pressure range	Works with 6871, 6872, 6773, 6753, 6891, 6893, 6861, 6862, 6863, 6864, 6869 – dependent on tube length

Operating temperature range	+10°C to +40°C
Body material	Thermoplastic
Weight	0.053Kg
Additional information	Other colour options available upon request. Ask our sales team about the short threaded option (better suited for mounting in thin panels)