

6223 Leptron Foot/Palm Switches

herga

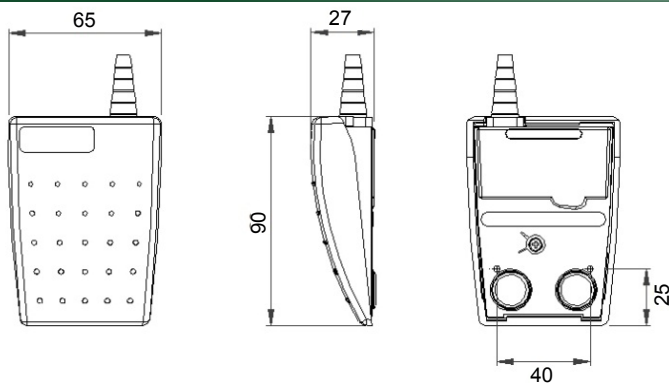
Technology Ltd

For IPX2 single pole switching

- Low profile switch designed for improved user comfort
- All plastic construction with raised tread pattern, ideal for palm or foot operation
- Versatility and innovative design make it an ideal product for OEM use
- Switches designed to meet medical, industrial/office/commercial standards
- Option for customers to fit own cables



Outline dimensions



General specifications

Standards/approvals	Footswitch: EN 60950, EN 60601-1:2006, UL 60601-1:2005, ANSI/AAMI ES60601-1:2005/(R)2012, CSA-C22.2 No 60601-1:14, UL File N° E353500 Microswitch: EN 61058-2-1, EN 61058
Degree of protection	EN 60529 IPX2
Connection method	Stripped cable cores or connector of your choice
Electrical rating	See table page 2
Contact configuration	SPST N/O, SPST N/C, SPCO

Operating temperature range	-5°C to +40°C
Body material	Thermoplastic
Weight	0.212Kg (including cable)
Additional information	Customized versions available (logos, cordsets, colours, guards)



6223 Leptron Foot/Palm Switches

herga

For IPX2 single pole switching

Technology Ltd

6223: Ordering and options

6223 - [] [] [] [] **B** - [] [] [] [] - [] [] **0** **0**

Model

Cover & base colours

A	Black cover & Black base	F	Black cover & Grey base
B	Grey cover & Black base	G	Grey cover & Grey base
C	Yellow cover & Black base	H	Yellow cover & Grey base
D	Green cover & Black base	J	Green cover & Grey base
L	Blue cover & Black base	M	Blue cover & Grey base

Base configuration

A	Base fitted with M3 brass inserts / no guard fitted
Z	No inserts or guard fitted

Switching operation

A	SPST N/O
B	SPCO
E	SPCO switch supplied without cable

Approvals

B	IEC 60601-1 and UL 60601-1
---	----------------------------

IEC 60601-1 & UL 60601-1, 2 and 3 core cordsets

AZAZ	2-core grey, silver contacts, 1.75A 24V	ZAZA	3-core grey, silver contacts, 1.75A 24V
BZBZ	2-core grey, gold contacts, 0.1A 24V	ZBZB	3-core grey, gold contacts, 0.1A 24V
CZCZ	2-core black, silver contacts, 1.75A 24V	ZCZC	3-core black, silver contacts, 1.75A 24V
DZDZ	2-core black, gold contacts, 0.1A 24V	ZDZD	3-core black, gold contacts, 0.1A 24V
EZ EZ	2-core grey screened, silver contacts, 1.75A 24V	ZEZE	3-core grey screened, silver contacts, 1.75A 24V
FZ FZ	2-core grey screened, gold contacts, 0.1A 24V	ZFZF	3-core grey screened, gold contacts, 0.1A 24V
		ZZZZ	No option chosen

Non cable variants, customer fitted cables, IPX2 components

A	Microswitch fitted; SPCO 16A 24V, silver contacts 6.3mm x 0.8 mm push-on tag
C	Microswitch fitted; SPCO 16A 24V, silver contacts 6.3mm x 0.8 mm solder tag
D	Microswitch fitted; SPCO 0.1A 24V, gold contacts 6.3mm x 0.8 mm solder tag
Z	No option chosen

Special attributes

Customer specified/supplied cordset for factory fitting with or without plug
 Customer specified identification and label combination - the suitability may not be covered by UL
 Guard fitted
 Cable length variation if different from 2m
 Z indicates no option provided