

6202 Guard

herga

Technology Ltd

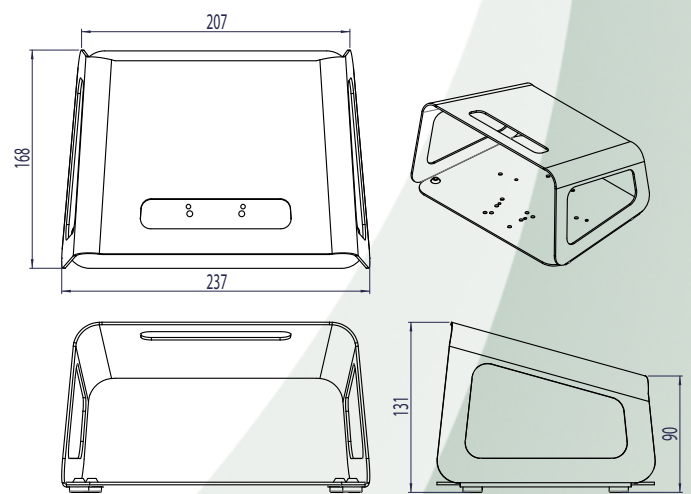
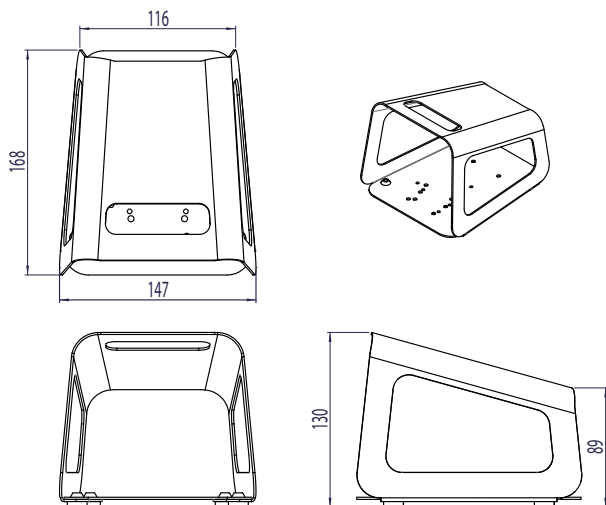
- Mild steel protective guard with painted finish
- Suitable for 6210, 6219, 6225, 6226, 6229, 6254 & 6289 footswitches
- Available in Black RAL 9005 or Grey RAL 7035
- Fitted with non-slip rubber feet
- Single or double option
- Handle cut out



Reference dimensions

Single pedal version

Double pedal version



Ordering information

Part Number	Description
6202-0001	Single Black RAL 9005 guard
6202-0002	Single Grey RAL 7035 guard
6202-0003	Twin Grey RAL 7035 guard