

6731/6732 Low Pressure Switch

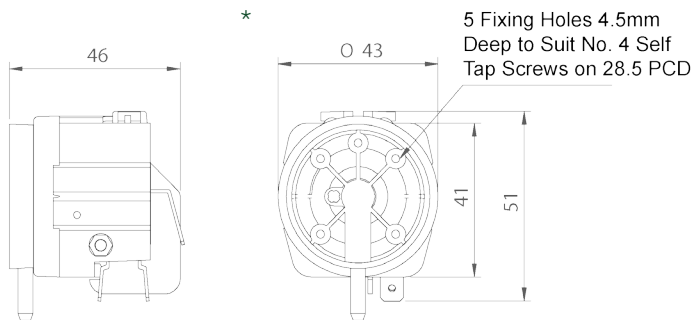
herga

Technology Ltd

- These switches have been designed primarily for the OEM manufacturer who requires high reliability
- UL recognised versions available
- Double pole switching available as a 6732
- Wide choice of microswitch options including tag configurations
- High performance repeatability



Reference dimensions



General specifications

| | |
|-----------------------|--|
| Standards/approvals | UL 508 specific models only |
| Degree of protection | n/a |
| Connection method | Back & side entry spout, 4mm dia. or 1/8" BSPT & NPT Brass |
| Electrical rating | See table below |
| Contact configuration | See table below |

| | |
|-----------------------------|---|
| Operating temperature range | -5°C to +70°C |
| Body material | Thermoplastic |
| Weight | 0.04 kg |
| Additional information | Setting accuracy $\pm 10\%$ For very low power circuits, gold contact versions are available upon request Alternative diaphragm & spring materials available upon request |

Suitability for use with the following media:

| | |
|------------------------|---|
| Acetone | ☑ |
| Ammonia (Liquid) | ☑ |
| Amyl Alcohol to 20°C | ☑ |
| Automotive Brake Fluid | ☑ |
| Beer | ☑ |
| Benzyl Alcohol | × |
| Butane | ✓ |
| Carbon Dioxide – Dry | ✓ |
| Citric Acid | ✓ |
| Copper Sulphate (Sol.) | ☑ |
| Compressed Air | ✓ |
| Cutting Oil | ✓ |
| Diesel Oil | ✓ |
| Detergent Solution | ✓ |
| Fuel Oil | ✓ |

| | |
|---------------------------|---|
| Glycol | ✓ |
| Hydraulic Oil | ✓ |
| Hydrogen | ✓ |
| Lubricating Oil | ✓ |
| Milk | ☑ |
| Mineral Oil | ✓ |
| Natural Gas | ✓ |
| Nitric Acid (Dil.) | × |
| Oxygen to 70°C | ✓ |
| Petrol | ☑ |
| Plating Solution (Chrome) | ☑ |
| Salt Water | ☑ |
| Sewage | ✓ |
| Sulphur Dioxide | × |
| Turpentine | ✓ |
| Vinegar | ☑ |
| Water | ✓ |

- ✓ = Recommend
 - ☑ = Suitable with modification
 - ×
- × = Not suitable

6731/6732 - Range options and specifications

| Model part no. | | 6731-03 | 6731-06 | 6731-10 |
|---------------------------|--------|---------------------------------------|---------------------|---------------------|
| Pressure Range Min. | mbar | 4 | 12.5 | 50 |
| Pressure Range Max. | mbar | 18 | 62 | 1137 |
| Body withstand pressure | mbar | 2550 | | |
| Connecting tube reference | | 2311-01 / 2311-08 to suit Ø4 mm spout | | |
| Diaphragm | | Neoprene | | |
| Mechanical life | Cycles | 2 x 10 ⁶ | 2 x 10 ⁶ | 1 x 10 ⁶ |
| Spring | | Spring steel | | |

Electrical data

| Model | | 6731-03 | 6731-06 | 6731-10 | | | | | |
|-----------------------|-------------|--------------------------|---|--|---------------|----------------|---------------|---------------|----------------|
| Contact configuration | | SPCO | | | | | | | |
| Contact plating | | Silver | | | | | | | |
| Electical life | Cycles | 2 x 10 ⁵ @ 1A | 2 x 10 ⁵ @ 6A, 5 x 10 ⁴ @ 10A | 2 x 10 ⁵ @ 10A, 1 x 10 ⁴ @ 21A | | | | | |
| Electrical rating | | Maximum electrical load | | | | | | | |
| | Voltage (V) | Resistive (A) | Inductive (A) | Resistive (A) | Inductive (A) | Motor (P10.75) | Resistive (A) | Inductive (A) | Motor (P10.75) |
| AC | 125 | 3 | 1 | 10 | 3 | 0.5HP | 21 | 15 | 1HP |
| AC | 250 | 3 | 1 | 10 | 3 | 0.5HP | 21 | 15 | 2HP |
| DC | 6 | 3 | 1 | 10 | 3 | | 21 | 21 | |
| DC | 12 | 3 | 1 | 5 | 3 | | 15 | 15 | |
| DC | 24 | 1 | 0.5 | 5 | 3 | | 8 | 7 | |
| DC | 60 | 1 | 0.5 | 1 | 0.5 | | 1 | 0.5 | |
| DC | 110 | 0.5 | 0.2 | 0.5 | 0.2 | | 0.5 | 0.2 | |
| DC | 220 | 0.25 | 0.1 | 0.25 | 0.1 | | 0.25 | 0.1 | |

6731/6732: Mounting plate details

