

6225 Foot Switches

herga

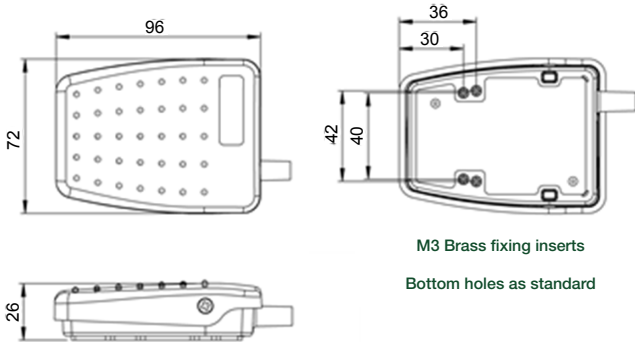
Technology Ltd

For IPX2 single & double pole switching
UL Approved / IEC 60601-1

- Low profile, rear hinged switch designed for improved user comfort
- All plastic construction with raised tread pattern and anti-slip pad
- Versatile and innovative design make it an ideal product for OEM use
- Switches designed to meet medical, industrial/office/commercial standards
- Option for customers to fit own cable



Reference dimensions



General specifications

Standards/approvals	Footswitch: EN 60950, EN 60601-1:2006, UL 60601-1:2005, ANSI/AAMI ES60601-1:2005/(R)2012, CSA-C22.2 No 60601-1:14, UL File N° E353500	Operating temperature range	-20 to +60°C
Degree of protection	EN 60529 IPX2	Body material	Thermoplastic
Connection method	Stripped cable cores, USB or connector of your choice	Weight	0.14Kg (including cable)
Electrical rating	Max. 3A 24V AC/DC	Additional information	Customized versions available (logos, cordsets, colours, guards)
Contact configuration	SPST N/O, SPST N/C, SPCO, DPST N/O, DPST N/C, DPCO		



6225 Foot Switches

For IPX2 single & double pole switching
UL Approved / IEC 60601-1

6225: Ordering and options

6225 - [] [] [] [] - [] [] [] [] - 0 0 0

Model

Cover & base colours (A,B,C,D,L or N)

A	Black cover & Black base	D	Green cover & Black base
B	Grey cover & Black base	L	Blue cover & Black base
C	Yellow cover & Black base	N	Orange cover & Black base

Base configuration (A,B C or D)

A	Base fitted with M3 brass inserts
B	Base fitted with Neoprene pad
C	Base fitted with M3 brass inserts & Neoprene pad
D	Base fitted with Anti-slip Feet

Switching action (A,B,C, or D)

A	Single pole normally open (Cherry) microswitch (SC)
B	Single pole change over (Cherry) microswitch (CC)
C	Double pole normally open (Cherry) microswitches (DO)
D	Double pole normally open (Cherry) microswitches Two stage (DA)
E	Single or double switch supplied without cable
F	USB Pre-programmed for customer keystroke (supplied with 2.5m cable & plug)

Electrical rating (A,B or C)

A	Gold contact microswitch (Max. rating 0.1A, 24 V AC/DC)
B	Silvercontact microswitch (Max. rating 1.75A, 24 V AC/DC)
C	Gold Contact Sub-Min Microswitch For USB Option Only (Max Rating 50mA 24V AC/DC)

IEC 60601-1 & UL 60601-1, 2-core cable at 2m length

A	Cable 2-core Grey	B	Cable 2-core Black
C	Cable 2-core Grey screened	Z	No cable chosen

IEC 60601-1 & UL 60601-1, 3-core cable at 2m length

A	Cable 3-core Grey	B	Cable 3-core Black
C	Cable 3-core Grey screened	Z	No cable chosen

IEC 60601-1 & UL 60601-1, 4-core cable at 2m length

A	Cable 4-core Grey	B	Cable 4-core Black
C	Cable 4-core Grey screened	Z	No cable chosen

Non cable variants - Customer fitted units (IPX2)

A	Single microswitch changeover (Solder tag 3.2 mm x 0.5mm) (Max. rating 3A, 24 V AC/DC)
B	Double microswitch changeover (Solder tag 3.2 mm x 0.5mm) (Max. rating 3A, 24 V AC/DC)
Z	No cable option chosen

Special attributes

000 indicates no special attribute option chosen (product as standard matrix)
001 through 999 indicates special attributes

Note : Suitability of special attributes may not be covered by UL
Examples: Customer specified cable/cordset with or without plug (Max. rating 3A, 24V AC/DC)
Cable length variation if different from 2m
Pre-programmed keystrokes for USB footswitch
Customer specified identification and label combination
Guard or special base