

6221 Leptron Foot / Palm Switches

herga

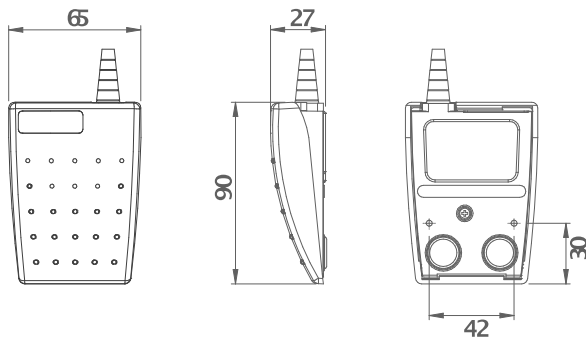
Technology Ltd

For IPX7 and Double Pole Switching

- Low profile switch designed for improved user comfort
- All plastic construction with raised tread pattern, ideal for palm or foot operation
- Choice of operating force
- Versatility and innovative design make it an ideal product for OEM use
- Switches are designed to meet industrial and office/commercial standards (for medical approval, see 6224)
- Option for customers to fit own cables



Reference dimensions



General specifications

Standards/approvals	Footswitch: low voltage directive 2014/35/EU, EN 60950 Microswitch: EN 61058-2-1, EN 61058	Operating temperature range	-5°C to +40°C
Degree of protection	EN 60529 IPX7 (IPX8 upon request)	Body material	Thermoplastic
Connection method	Stripped cable cores or connector of your choice	Weight	0.212Kg (including cable)
Electrical rating	See ordering information	Additional information	Customized versions available (logos, cordsets, colours, guards)
Contact configuration	SPST N/O, SPST N/C, SPCO		
Pressure range	n/a		

For IPX7 and Double Pole Switching

Ordering and options

6221 - -

Model

Cover and base colour options

- A Black cover & black base
- B Grey cover & black base
- C Yellow cover & black base
- D Green cover & black base
- E Red cover & black base
- F Black cover & grey base
- G Grey cover & grey base
- H Yellow cover & grey base
- J Green cover & grey base
- K Red cover & grey base
- L Blue cover & black base

Base configuration

- A Base filled with M3 brass inserts
- Z No inserts in base - can be mounted using self tapping screws

Pedal operation

- A Light, suitable for hand operation
- B Heavy, suitable for foot operation

Switch action

- A SPST N/O
Choose 2-core cordset from 2- & 3-core cordset section
- B SPNO
Choose 3-core cordset from 2- & 3-core cordset section
- C DPST N/O
Choose 4-core cordset from either 4-core cordset section

Only one cordset selection can be made from 1 of the next 4 sections, enter Z - for no option chosen for the remaining sections

Cordset sealed to IPX7 (BS EN 60529)

- Z No option chosen

4-core cordset sealed to IPX7 (BS EN 60529)

- A 3A 24V AC/DC, 0,5mm² 4-core black cable, 2 m long, ends stripped 30 mm
- B 3A 250V AC/DC, 0,5mm² 4-core black cable, 2 m long, ends stripped 30 mm
- C 0.1A 24V AC/DC (gold contact) 0,5mm² 4-core black cable, 2 m long, ends stripped 30 mm
- Z No options chosen

2- & 3-core Cordset sealed to IPX7 (BS EN 60529) (IP68 on)

- A 3A 24V AC/DC, 0,75mm² 2-core black cable, 2 m long, ends stripped 30 mm
- B 3A 250V AC/DC, 0,75mm² 2-core black cable, 2 m long, ends stripped 30 mm
- C 0.1A 24V AC/DC (gold contact) 0,75mm² 2-core black cable, 2 m long, ends stripped 30 mm
- D 3A 24V AC/DC, 0,5mm² 3-core black cable, 2 m long, ends stripped 30 mm
- E 3A 250V AC/DC, 0,5mm² 3-core black cable, 2 m long, ends stripped 30 mm
- F 0.1A 24V AC/DC (gold contact) 0,5mm² 3-core black cable, 2 m long, ends stripped 30 mm
- Z No options chosen

4-core cordset sealed to IPX7 (BS EN 60529)

- A 3A 24V AC/DC, 0,75mm² 4-core black cable, 2 m long, ends stripped 30 mm
- B 3A 250V AC/DC, 0,75mm² 4-core black cable, 2 m long, ends stripped 30 mm
- C 0.1A 24V AC/DC (gold contact) 0,75mm² 4-core black cable, 2 m long, ends stripped 30 mm
- Z No options chosen