

2014

# **HERNON<sup>®</sup>** **MANUFACTURING, INC.**

High Performance Adhesives  
and Precision Processing Solutions

## **Equipment Catalog**

**HERNON<sup>®</sup>**  
**MANUFACTURING, INC.**  
Toll Free: 800-527-0004  
Telephone: 407-322-4000  
Website: [hernon.com](http://hernon.com)

**800-527-0004**

# 2014

**HERNON® Manufacturing has been committed to delivering TOTAL SOLUTION including world class high performance adhesive, sealant, coatings and impregnation resins along with precision processing equipment including parts loading, dispensing, vision inspection and curing system for nearly four decades.**

**A long-time member of Central Florida's industrial manufacturing community, HERNON offers strong brands and technologies, all made in the United States, for a diverse range of industries including: Energy/ Power Generation, Medical, Electronics, Electrical, LED, Automotive, Appliances, Sporting Goods, Ammunition, Communications, Aerospace, Aviation, High Tech Audio, Defense, Fire Suppression, Transportation, and Marine. HERNON Manufacturing is proud to be an ISO-9001, ITAR registered company whose products meet or exceed Mil-Specs.**



**HERNON® Manufacturing has been recognized as a top company in Orlando and is listed in the Orlando Business Journal's Book of Lists. The company also was awarded the 2012 ThinkGlobal, Exporter of the Year, and named one of Florida's Top Companies to Watch in 2012, and has received the 2012 William C. Schwartz Industry Innovation Award for its advanced process for ammunition sealants. Visit [www.hernon.com](http://www.hernon.com) for more information.**

**Hernon's world headquarters is located in Sanford (Orlando), Florida, USA - a high-tech community developing aerospace, power generation, electronic, and optical solutions for the world. This region is also the birthplace of America's presence in space through Cape Canaveral. This location allows our Research and Development team an opportunity to work side-by-side with other companies developing cutting-edge technology.**

**Hernon® Europe was launched in 2005 to expand market presence in Europe. Hernon South America was established in 2007 to support marketing efforts. In September 2010, Hernon entered into a joint venture with SHENZHEN DOVER TECHNOLOGY CO. LTD. to formalize HERNON DOVER, with the primary goal to distribute Hernon's extensive product line throughout China. Hernon currently has thirty-seven repackaging/manufacturing plants and/or distributors worldwide such as HERNON REDELEASE in Brazil, HERNON DIFFUSION in India and HERNON KOREA. Hernon is planning to establish more international branch offices in the near future.**

**Hernon's successful growth can be attributed to products, standards, and services that meet or exceed the rigorous manufacturing and safety requirements demanded by worldwide customers. Today, Hernon® is a worldwide innovator of high performance adhesives, sealants, and precision dispensing equipment, supplying top-notch quality of High Performance Adhesives and Sealants at very competitive prices.**

**In 1999, Hernon® Manufacturing's Quality System was registered as ISO-9001:2000 compliant. Including the initial certification, Hernon® has maintained biannual inspections without any record of a non-conformance. Many of Hernon's Adhesives, Sealants, and Impregnation Resins meet or exceed the stringent qualifications of the United States Military Specifications.**

**HERNON® products have gained the approval of "GSA" (Purchasing Agent for the US Defense Department), Martin Marietta, General Dynamics, Federal Mogul, Ingersoll Rand, Ford Aerospace, Lockheed Missile, Northrop, McDonnell Douglas, Frigidaire-Poulan, Copeland, TI Group Automotive Systems, GE, Thomas & Betts, John Deere, Watts Regulators, Volvo Penta, Ballard Power Systems, Wilson Sporting Goods, Peterbilt, Kenworth, General Electric, GKN, Case New Holland, Bose, etc., just to name a few.**

**Beginning its third decade, Hernon® Manufacturing Inc. remains committed to provide "Innovative Solutions for Mechanical Problems" well into the 21st century.**

**HERNON®**  
**MANUFACTURING, INC.**  
Toll Free: 800-527-0004  
Telephone: 407-322-4000  
Website: [hernon.com](http://hernon.com)

**800-527-0004**

# Table of Contents

<i>Autobonders</i> .....	4
• 2020.....	5
• 2040.....	7
• 2511.....	9
• 2101.....	12
• 2111.....	15
<i>Autosealers</i> .....	20
• 2600.....	21
<i>Rambo</i> .....	23
<i>Rotocoater</i> .....	25
• 500.....	26
• 750.....	30
<i>Sureshot</i> .....	35
• 2200.....	36
• 3000.....	44
• 3200.....	50
• 3500.....	53
• 4000.....	60
<i>Ultraspot 1000</i> .....	68
<i>Ultracure Line</i> .....	74
<i>Cartridge Dispensing Guns</i> .....	82
<i>Dispensing Pens</i> .....	85
<i>Product Accessories</i> .....	87
• Syringe Adapters.....	90
• Needle Adapters.....	93
• Assorted Fittings.....	97
• Valve Dispensing Stands.....	103
• Tubing.....	106
• O-Rings.....	110
• Reservoirs.....	112
<i>Needles &amp; Adapters</i> .....	120
• Needle Adapters.....	121
• Needles.....	126

# AUTOBONDERS

# Autobonder 2020

2014



---

### Autobonder 2020

---

#### PART NUMBER: AUTOBONDER 2020

- Integrated servo controller for ss3000/3200 pumps

#### System includes:

- AB202 control box
- PLC-controlled
- Integrated servo controller
- 2020 w/ Sureshot 3000/3200
- Sureshot 3000
  - Titanium nitrate coated 316 S.S. (gold)
  - 6061T6 Aluminum (black)
  - Offered in 1/4" and 3/8" piston
- Sureshot 3200 – (red) 3/16" piston

**HERNON®**  
**MANUFACTURING, INC.**  
Toll Free: 800-527-0004  
Telephone: 407-322-4000  
Website: hernon.com

**800-527-0004**

# Autobonder 2040

2014



---

### Autobonder 2040

---

400ml Dual Cartridge Dispense System Dispensing machine tool used to dispense two part adhesives such as epoxy, Tuffbond and Fusionbond.

#### **Hernon Part Number AUTOBONDER2040**

- Adjustable solid-state, six function timer with timing ranges from .01 seconds to 9,999 hours
- Repeat Accuracy +/-0.3%
- Offers precise dispensing for 400ml cartridge dual-component adhesives
- Offers consistent 1 to 1 ratio adhesive mixture
- Roller "Pinch Valve" creates "Pull Back" effect reducing tail off and waste.

#### **System Includes:**

- Control Box 2111-2040
- Foot Switch
- Dispensing Stand
- Interconnect Hoses & Connectors
- Quantity 5 pt # STATIC0003
- Pinch able static mixer
- Power supply

**HERNON<sup>®</sup>**  
**MANUFACTURING, INC.**

Toll Free: 800-527-0004  
Telephone: 407-322-4000  
Website: hernon.com

**800-527-0004**



# Autobonder 2511

2014



### Autobonder 2511

Dispensing sealants via two reservoir and dispense valves.

**Hernon Part Number: Autobonder2511**

- Automatic coating machine with twin dispensing heads & PLC control
- Adjustable air pressure from 0-100 psi
- PLC controller and dual turntables for consistent application on circular/radial shaped parts.
- Capable of manual operation for set up
- 100% Solid-State, six function timer with timing ranges from .01 seconds to 9,999 hours
- Can be configured to hold four valves

**System Includes:**

- Control Box 2511
- Two Sureshot 2200 Valves or 4000 Valves
- Two R125 Reservoirs
- Foot Switch
- Interconnect Hoses & Connectors



### Autobonder 2511-R

Dispensing sealants via two reservoir and dispense valves.

**HERNON PART NUMBER: AUTOBONDER2511R**

- Automatic coating machine with twin dispensing heads & PLC control
- Adjustable air pressure from 0-100 psi
- PLC controller and dual turntables for consistent application on circular/radial shaped parts.
- Capable of manual operation for set up
- 100% Solid-State, six function timer with timing ranges from .01 seconds to 9,999 hours
- Can be configured to hold four valves
- 2 Roller wipers

**System Includes:**

- Control Box 2511
- Two Sureshot 2200 Valves or 4000 Valves
- Two R125 Reservoirs
- Foot Pedal ControlIPT0002
- Interconnect Hoses & Connectors
- Needle Kit

2014



### Autobonder 2511 Basic

Dispensing sealants through two dispense valves for circular applications such as speakers etc.

**HERNON PART NUMBER: AUTOBONDER2511 BASIC**

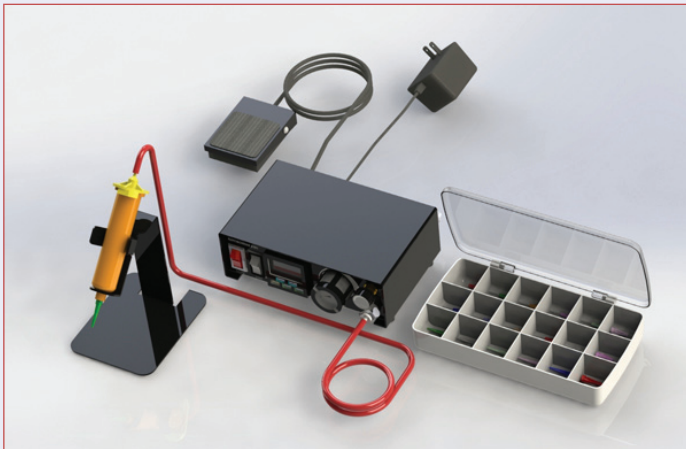
- Autobonder 2511B
- Adjustable air pressure from 0-100psi
- 100% Solid-State, Six Function Timer with timing ranges from .01 seconds to 9,999 hours
- PLC controller and dual turntables for consistent application on circular & disc shaped parts
- Can be configured to hold four valves
- Variable control speed
- Excellent for audio speaker magnet, voice coil assembly
- Includes heavy duty slide actuator

**System Includes:**

- Control Box 2511
- Foot Pedal ControlPT0002

# Autobonder 2101

2014



**Autobonder 2101-H-120V**

**Autobonder 2101**

**H/L Pressure 120/220 VAC**

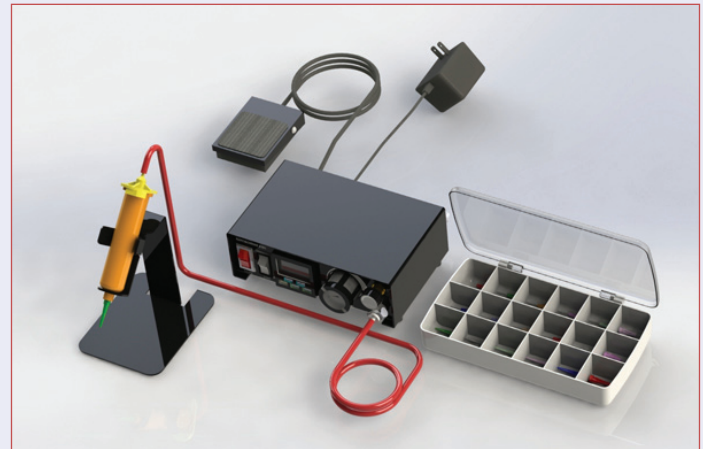
**Hernon part number: 110-034**

**REFERENCE PART NUMBER: AUTO2101-H-120V**

- 0-100 psi for dispensing material of medium to high viscosity
- Vacuum "Pull Back" feature for accurate dispense volume
- Optional syringe sizes
- 100% Solid State, six function timer
- 120 Volts 60 Hertz

**System includes:**

- Foot Pedal Control PT0002
- Two 30 cc dispense syringes
- Aluminum syringe stand
- Interconnect hoses & connectors
- Needle kit
- Syringe adapter



**Autobonder 2101-L-120V**

**Autobonder 2101**

**H/L Pressure 120/220 VAC**

**Hernon part number: 110-035**

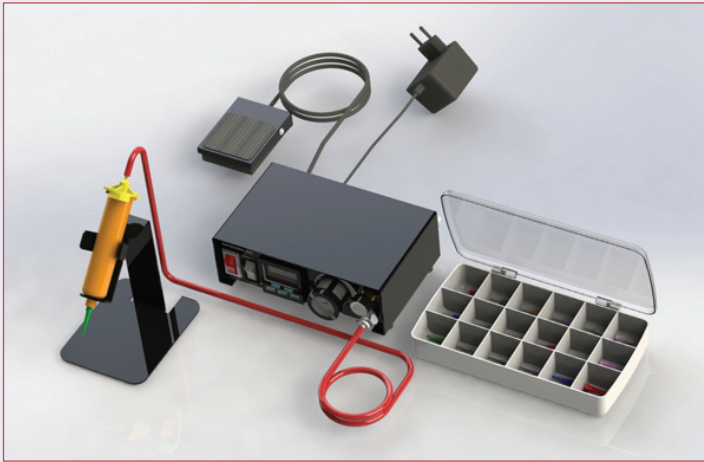
**REFERENCE PART NUMBER: AUTO2101-L-120V**

- 0-30 psi gauge for low viscosity materials
- 100% solid state, six function timer
- Vacuum "pull back" feature for accurate dispense volume
- Optional syringe sizes
- 120 Volts 60 Hertz

**System Includes:**

- Foot Pedal Control PT0002
- Two 30 cc dispensing syringes
- Aluminum syringe stand
- Interconnect hoses & connectors
- Needle kit
- Syringe adapter

2014



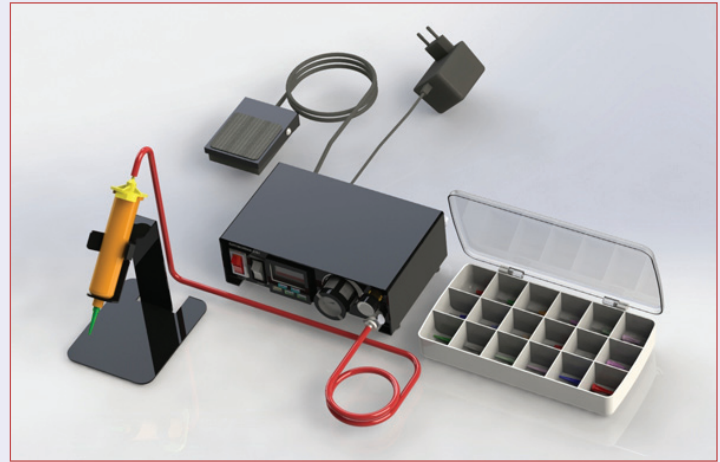
**Autobonder 2101-H-230V**

**Autobonder 2101**  
**H/L Pressure 120/220 VAC**  
**Hernon part number: 110-036**  
**REFERENCE PART NUMBER: AUTO2101-H-230V**

- 0-100 psi for dispensing material of medium to high viscosity
- Vacuum "Pull Back" feature for accurate dispense volume
- Optional syringe sizes
- 100% Solid State, six function timer
- 230 Volts 50 Hertz
- **European Use**

**System includes:**

- Foot Pedal ControlPT0002
- Two 30 cc dispense syringes
- Aluminum syringe stand
- Interconnect hoses & connectors
- Needle kit
- Syringe adapter



**Autobonder 2101-L-230V**

**Autobonder 2101**  
**H/L Pressure 120/220 VAC**  
**Hernon part number: 110-037**  
**REFERENCE PART NUMBER: AUTO2101-L-230V**

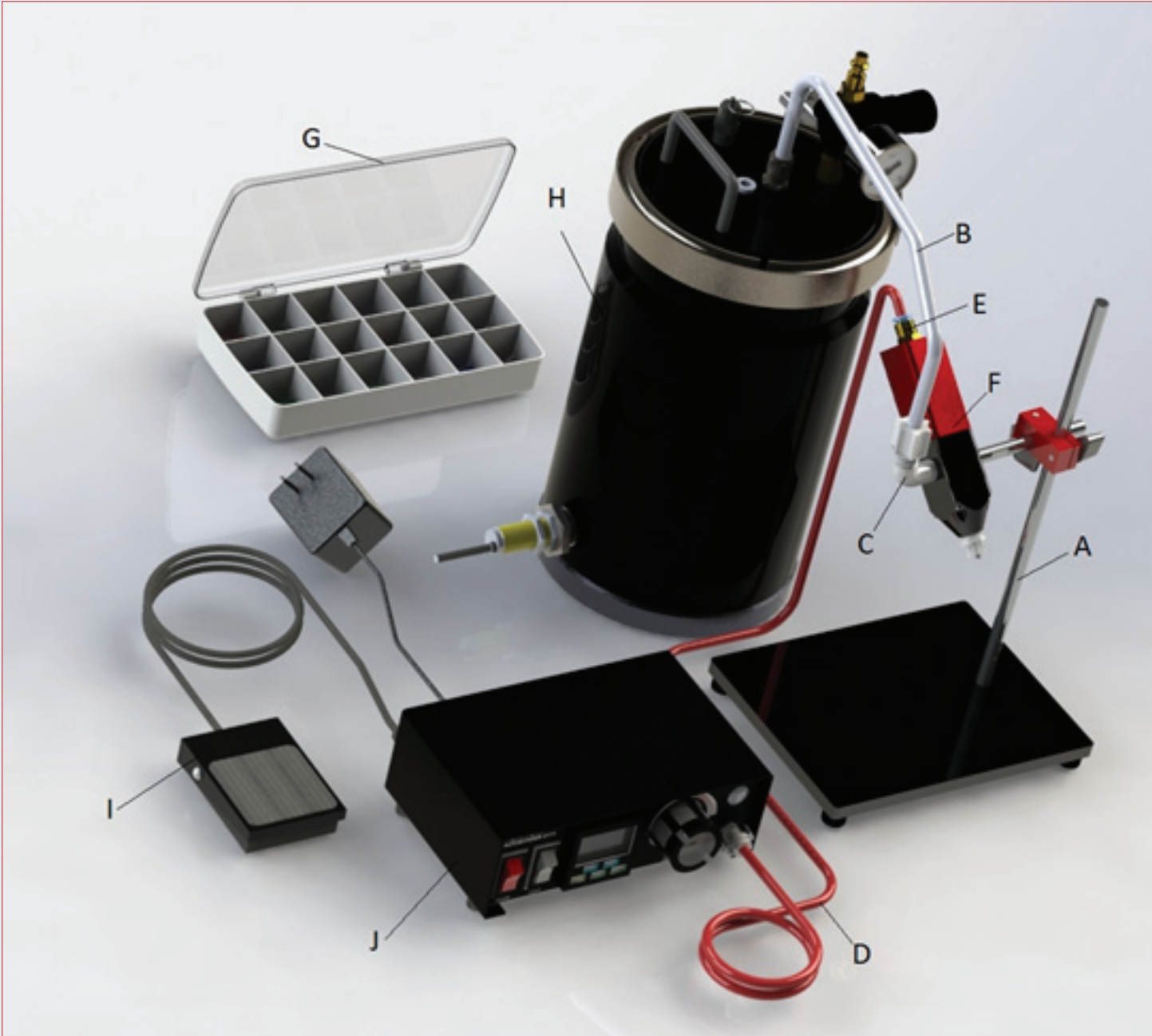
- 0-30 psi gauge for low viscosity materials
- 100% solid state, six function timer
- Vacuum "pull back" feature for accurate dispense volume
- Optional syringe sizes
- 230 Volts 50 Hertz
- **European Use**

**System Includes:**

- Foot Pedal ControlPT0002
- Two 30 cc dispensing syringes
- Aluminum syringe stand
- Interconnect hoses & Connectors
- Needle kit
- Syringe adapter
- Power supply 230v

# Autobonder 2111

2014



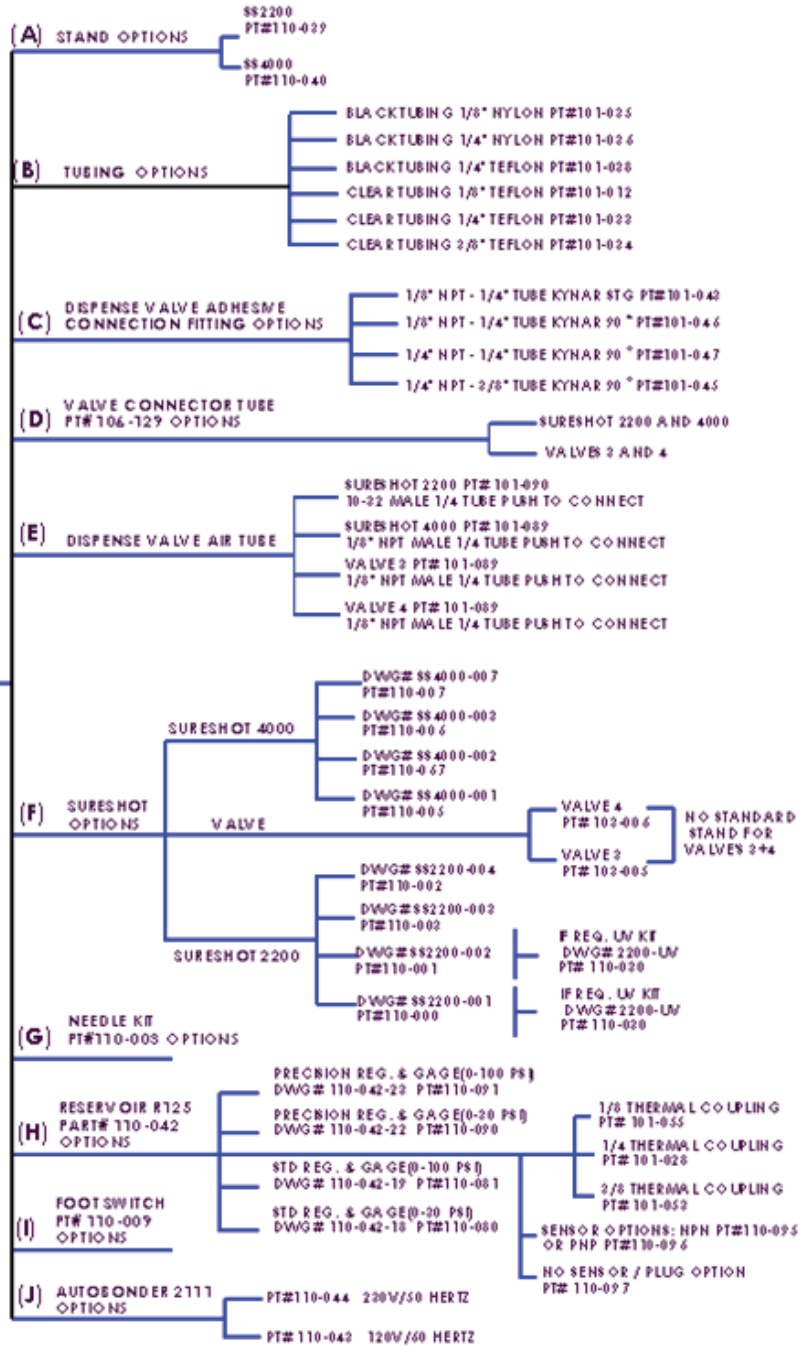
**HERNON<sup>®</sup>**  
**MANUFACTURING, INC.**  
Toll Free: 800-527-0004  
Telephone: 407-322-4000  
Website: hernon.com

**800-527-0004**



**AUTOBONDER 2111  
REFERENCE GUIDE  
DISPENSE SYSTEM  
COMPONENTS**

**REFERENCE GUIDE  
DISPENSE SYSTEM COMPONENT**



2014



**Autobonder 2111-120**

**Autobonder 2111  
120/220 VAC**

**HERNON PART NUMBER 110-043**

- 0-100 psi for dispensing materials of low-medium high viscosity materials
- 100% solid state, six function timer: timing ranges from .01 seconds to 9,999 hours
- Repeat accuracy 0.03 to 0.05g
- 120 volts 60 hertz

**Weight = 0.30 pounds**

**Recommended parts:**

- Foot switch
- Reservoir R125
- Sureshot
- Tubing
- Stand
- Needle kit
- Fitting as required



**Autobonder 2111-230**

**Autobonder 2111  
120/220 VAC**

**HERNON PART NUMBER 110-044**

- 0-100 psi for dispensing materials of low-medium high viscosity materials
- 100% solid state, six function timer: timing ranges from .01 seconds to 9,999 hours
- Repeat accuracy 0.03 to 0.05g
- 230 volts 50 hertz
- **European use**

**Weight = 0.30 pounds**

**Recommended parts:**

- Foot switch
- Reservoir r125
- Sureshot
- Tubing
- Stand
- Needle kit
- Fitting as required

2014



---

### Valve connector tube

---

#### VALVE CONNECTOR TUBE

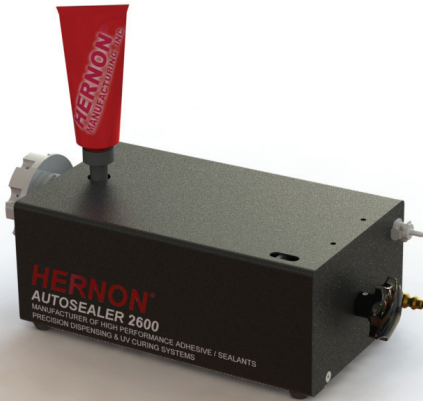
**PART NUMBER: 106-129**

- 1/4" o.d. Urethane hose` 5ft. Long (cut to desired length)
- Male quick disconnect, for connecting Autobonder
- 2111 to heron dispense valve

# AUTOSEALERS

# Autosealer 2600

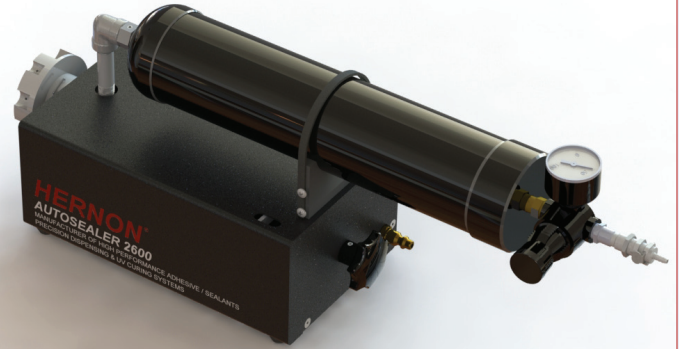
2014



**Autosealer 2600**

**Heron part number: AUTOSEALER2600**

- Semi-automatic, fully pneumatic, portable pipe thread sealant dispensing system
- Dial dispenser handles pipe diameters: 1/8", 1/4", 3/8", 1/2" & 3/4"
- Easy-to-use system reduces product waste
- Holds 50ml or 250ml tubes of Heron sealants



**Autobonder 2600-850**

**Heron part number: AUTOSEALER2600-850**

- Semi-automatic, fully pneumatic, portable pipe thread sealant dispensing system
- Dial dispenser handles pipe diameters: 1/8", 1/4", 3/8", 1/2" & 3/4"
- Easy-to-use system reduces product waste
- Holds 850ml cartridges of Heron sealants

**RAMBO**

2014



---

### Rambo 2010

---

#### Part number: RAMBO2010

- Fully pneumatic dispensing system
- Repeat accuracy of +/- 0.3
- Adjustable shop air pressure from 0-100 psi to create dispense pressure 350 psi
- Dispenses very high viscosity adhesives and sealants such as HERNON Gasket Replacer 910
- Utilizes 1,000ml poly-pak containers to minimize waste and for ease of replacement
- Excellent for use in heavy volume production lines.

#### System includes:

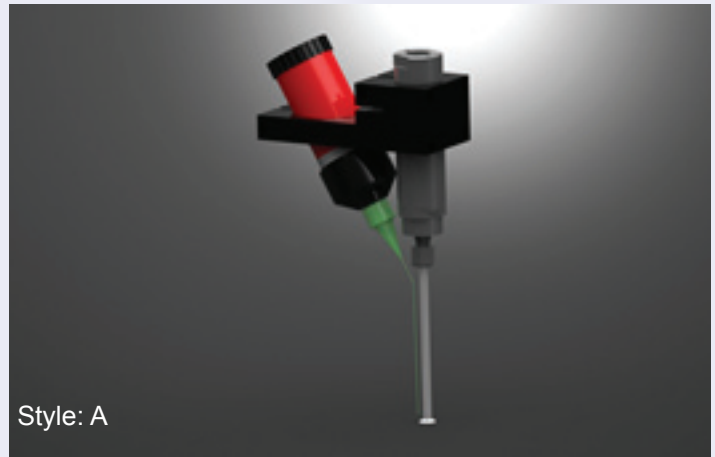
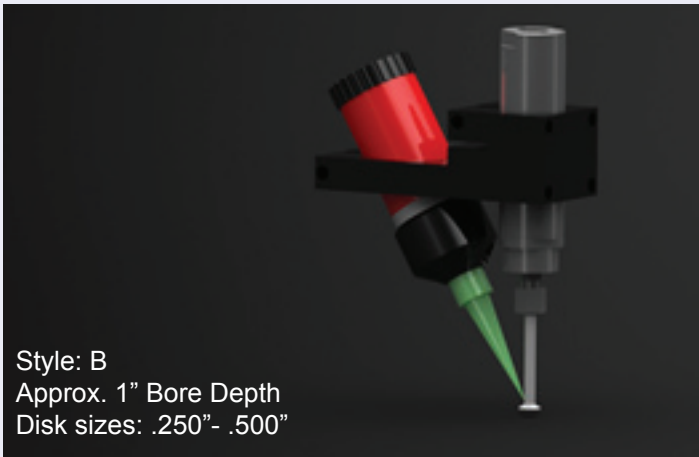
- Sureshot 4000-T and hoses & connectors



ROTOCOATER

# Rotocoater 500

2014



## RotoCoater RC500-2200

### Part number: RotoCoater RC500-2200

- A non-contract dispensing unit designed to apply sealant or adhesive to a bore (bore dia. 1/4"-3/4")
- It uses a small precision air motor to spin a dispersion disk which is inserted into a bore.
- The Sureshot valve delivers a controlled uniform bead to the inner surface of the bore

### System includes:

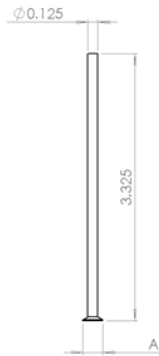
- Air motor
- Dispersion tip
- Herson Sureshot dispensing valve
- Dispensing needle
- Needle kit

Style A: Needle Kit 0004

Style B: Needle Kit 0002

## ROTOCOATER 500 STYLE: A

TABLE 2 DISKS WORK WITH TABLE 1 NEEDLE SERIES  
DESIGNED FOR USE WITH ROTOCOATER 500



NOTE: SEE TABLE 2 FOR A

NEEDLE KIT 4

TABLE 1		
NEEDLE GAGE	NEEDLE COLOR	NEEDLE NUMBER
14	GREEN	RC-NEEDLE14SS
15	ORANGE	RC-NEEDLE15SS
16	LIGHT PURPLE	RC-NEEDLE16SS
18	LIGHT GREEN	RC-NEEDLE18SS
21	DARK PURPLE	RC-NEEDLE21SS
23	LIGHT ORANGE	RC-NEEDLE23SS

TABLE 2	
SPINNER DIAMETER	SPINNER NUMBER
.250	TIPR-RC500-250
.312	TIPR-RC500-312
.375	TIPR-RC500-375
.500	TIPR-RC500-500

## RotoCoater 500 Style: A Tips

### Tip sizes:

TIPRS-RC500-0250  
TIPRS-RC500-0312  
TIPRS-RC500-0375  
TIPRS-RC500-0500

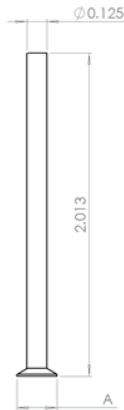
### Part number: ROTOCOATERTIP

- Dispersion disk tool

# 2014

## ROTOCOATER 500 STYLE: B

TABLE 2 DISKS WORK WITH TABLE 1 NEEDLE SERIES  
DESIGNED FOR USE WITH ROTOCOATER 500



NOTE: SEE TABLE 2 FOR A

NEEDLE KIT 2

TABLE 1		
MICROTIP GAGE	MICROTIP COLOR	MICROTIP NUMBER
14	ORANGE	MICROTIP 14
16	GRAY	MICROTIP 16
18	GREEN	MICROTIP 18
20	PINK	MICROTIP 20
22	LIGHT BLUE	MICROTIP 22
24	GRAY	MICROTIP 24

TABLE 2	
SPINNER DIAMETER	SPINNER NUMBER
.250	TIPR-RC500-S250
.312	TIPR-RC500-S312
.375	TIPR-RC500-S375
.500	TIPR-RC500-S500

### RotoCoater 500 Style: B Tips

#### Tip sizes:

- TIPRS-RC500-S0250
- TIPRS-RC500-S0312
- TIPRS-RC500-S0375
- TIPRS-RC500-S0500

#### Part number: ROTOCOATERTIP

- Dispersion disk tool

**HERNON<sup>®</sup>**  
**MANUFACTURING, INC.**  
 Toll Free: 800-527-0004  
 Telephone: 407-322-4000  
 Website: hernon.com

**800-527-0004**

# Rotocoater 750

2014



---

## Rotocoater 750

---

### Part number: Rotocoater 750-2200

- High speed, precise application of sealant or adhesive to bores (bores .375 dia. and up), no over spray
- Short cycle times
- Controlled bead width application in hard-to-reach recesses
- Easy cleanup, low maintenance
- Use with a variety of materials
- Tip not included

### System Includes:

- Air Motor
- 1/4" dia. spindle collet
- Motor mounting bracket
- Sureshot 2200 dispense valve
- Needle Kit

Style A: Needle Kit 2

Style B&C: Needle kit 4

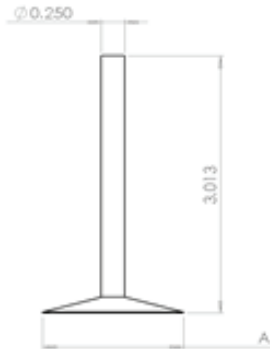
**HERNON<sup>®</sup>**  
**MANUFACTURING, INC.**

Toll Free: 800-527-0004  
Telephone: 407-322-4000  
Website: hernon.com

**800-527-0004**

## ROTOCOATER 750 STYLE: A

TABLE 1 DISKS WORK WITH TABLE 2 NEEDLE SERIES  
DESIGNED FOR USE WITH ROTOCOATER 750



NOTE: SEE TABLE 1 FOR A

TABLE #1	
SPINNER DIAMETER	SPINNER NUMBER
.75	TIPRS-RC750-0750
1.250	TIPRS-RC750-1250
1.500	TIPRS-RC750-1500
1.500	TIPRS-RC750-1550
2.000	TIPRS-RC750-2000

### NEEDLE KIT 2

TABLE #2		
MICROTIP GAGE	MICROTIP COLOR	MICROTIP NUMBER
14	ORANGE	MICROTIP14
16	GRAY	MICROTIP16
18	GREEN	MICROTIP18
20	PINK	MICROTIP20
22	LIGHT BLUE	MICROTIP22
24	RED	MICROTIP24

### RotoCoater 750 Style: A

Tip Sizes	Part Number	Reference Part Number
3/4"	106-056	TIPRS-RC750-0750
1"	106-057	TIPRS-RC750-1000
1 1/4"	106-058	TIPRS-RC750-1250
1 1/2"	106-059	TIPRS-RC750-1500
2"	106-061	TIPRS-RC750-2000

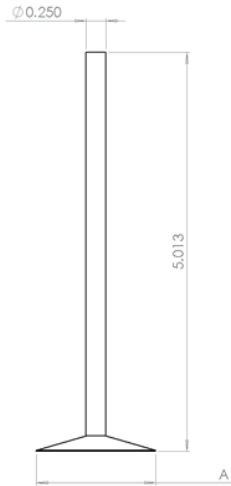
#### Part number: ROTOCOATERTIP

- Dispersion disk tool



## ROTOCOATER 750 STYLE: B

TABLE 1 DISKS WORK WITH TABLE 2 NEEDLE SERIES  
DESIGNED FOR USE WITH ROTOCOATER 750



NOTE: SEE TABLE 1 FOR A

TABLE 1	
SPINNER DIAMETER	SPINNER NUMBER
.75	TIPRS-RC750-0750
1.000	TIPRS-RC750-1000
1.000	TIPRS-RC750-1000XL
1.250	TIPRS-RC750-1250
1.500	TIPRS-RC750-1500
2.000	TIPRS-RC750-2000

NEEDLE KIT 4	
TABLE 2	
TEFLON LINED ID	FEED TUBE NUMBER
.095	HFT-1008
.095	HFT-1010

### RotoCoater 750 Style: B

**Tip sizes:**

- TIPRS-RC750-0750
- TIPRS-RC750-1000
- TIPRS-RC750-1000XL**

**Tip sizes:**

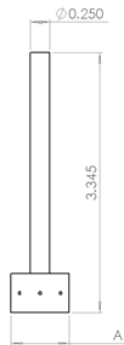
- TIPRS-RC750-1250
- TIPRS-RC750-1500
- TIPRS-RC750-2000

**Part number: ROTOCOATERTIP**

- Dispersion disk tool

## ROTOCOATER 750 STYLE: C

TABLE 1 CUPS WORK WITH TABLE 2 NEEDLE SERIES  
DESIGNED FOR USE WITH ROTOCOATER 750



NOTE: SEE TABLE 1 FOR A

TABLE 1	
CUP DIAMETER	CUP NUMBER
.310	TIPR-RC750-0310
.375	TIPR-RC750-0375
.500	TIPR-RC750-0500
.625	TIPR-RC750-0625
.700	TIPR-RC750-700
.750	TIPR-RC750-750
1.000	TIPR-RC750-1000
1.125	TIPR-RC750-1250
1.500	TIPR-RC750-1500
2.000	TIPR-RC750-2000

### NEEDLE KIT 4

TABLE 2		
NEEDLE GAGE	NEEDLE COLOR	NEEDLE NUMBER
14	GREEN	RC-NEEDLE14SS
15	ORANGE	RC-NEEDLE15SS
16	LIGHT PURPLE	RC-NEEDLE16SS
18	LIGHT GREEN	RC-NEEDLE18SS
21	DARK PURPLE	RC-NEEDLE21SS
23	LIGHT ORANGE	RC-NEEDLE23SS

## RotoCoater 750 Style: C

### Tip sizes:

TIPR-RC750-0310  
TIPR-RC750-0375  
TIPR-RC750-0500  
TIPR-RC750-0625  
TIPR-RC750-0700  
TIPR-RC750-0750  
TIPR-RC750-1000  
TIPR-RC750-1250  
TIPR-RC750-1500  
TIPR-RC750-2000

### Part number: ROTOCOATERTIP

- Dispersion disk tool

**SURESHOT**

# Sureshot 2200

2014



## SURESHOT 2200

### Standard assembled models:

- 110-000 - Delrin manifold / Teflon diaphragm, straight dispense port
- 110-001 - Delrin manifold / Teflon diaphragm 90° dispense port
- 110-003 - Teflon manifold / Teflon diaphragm, straight dispense port
- 110-002 - Teflon manifold / Teflon diaphragm 90° dispense port

**Weight = 0.18 pounds**

### Options:

- Sureshot 2200 UV conversion kit
- Sureshot 2200 Repair kit
- Sureshot 2200 V mounting block
- Sureshot 2200 Mounting rod

2014



**Sureshot 2200**

**HERNON PART NUMBER: 110-000**

- Delrin Manifold/Teflon diaphragm
- Normally closed valve, pneumatically actuated
- 70 PSI air actuation input
- 70 PSI max. fluid/adhesive
- Precision flow metering control knob

**System includes:**

- 1/4-28 X Luer-lock Adapter
- 18" npt X 1/4" tube X 90 degree Kynar fluid control fitting



**Sureshot 2200 (90°)**

**Heron part number: 110-001**

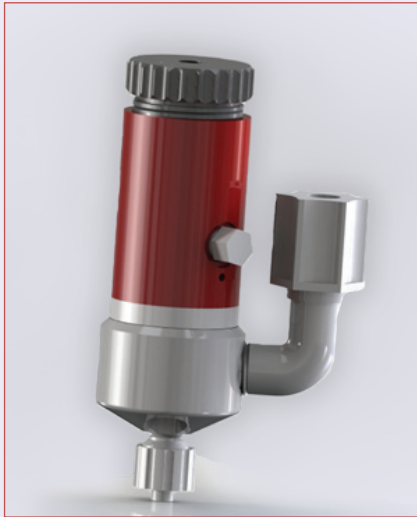
**Reference Part Number: SS-2200-90**

- Delrin Manifold, 90 degrees Teflon diaphragm
- Normally closed valve, pneumatically actuated
- 70 PSI air actuation input
- 70 PSI max fluid/adhesive
- Precision flow metering control knob

**System includes:**

- 1/4-38 X Luer-lock Adapter, 1/8" npt X 1/4" tube X 90° Kynar fluid
- 1/8" npt X 1/4" tube X 90 degree Kynar fluid fitting

2014



### Sureshot 2200 (Teflon Straight)

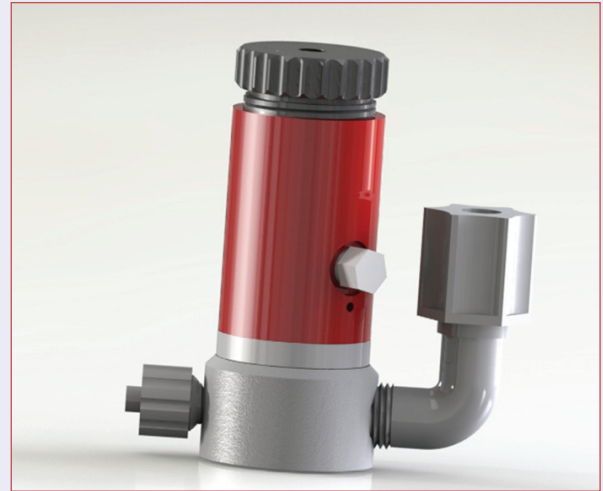
Hernon part number: 110-003

Reference Part Number: SS-2200-T

- Teflon manifold/Teflon diaphragm
- Normally closed valve, pneumatically actuated
- 70 PSI air actuation input
- 70 PSI max. fluid/adhesive
- Precision flow metering control knob

**System includes:**

- 1/4-28 X Luer-lock Adapter
- 1/8" npt X 1/4" tube X 90° Kynar fluid fitting



### Sureshot 2200 (Teflon 90°)

Hernon part number: 110-002

Reference Part Number: SS-2200-90-T

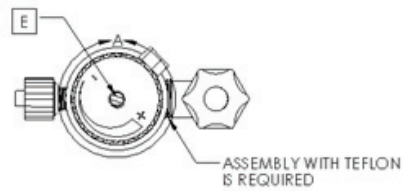
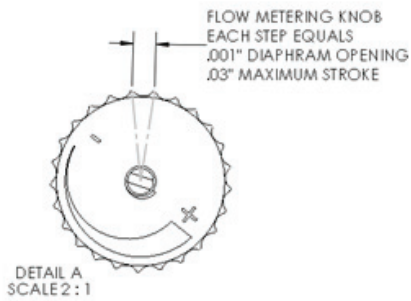
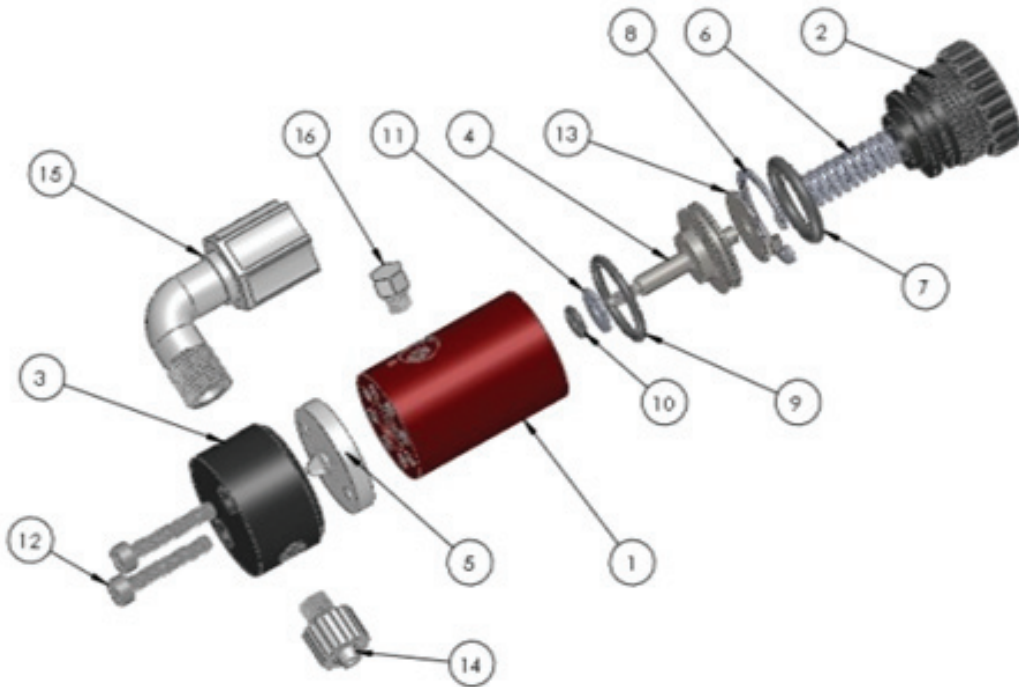
- Teflon manifold, 90° /Teflon diaphragm
- Normally closed valve, pneumatically actuated
- 70 PSI air actuation input
- 70 PSI max fluid/adhesive
- Precision flow metering control knob

**System includes:**

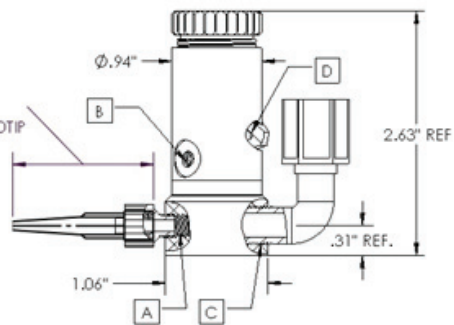
# 2014

ITEM NO. QTY.	DWG. No.	PART No.	DESCRIPTION	OPTIONAL PARTS
1	SS2200-1	106-023	VALVE BODY	1
2	SS2200-2	106-024	FLOW ADJUSTER KNOB	1
3	SS2200-3D	106-025	MANIFOLD STRAIGHT	1
3	SS2200-3DL	106-026	MANIFOLD 90 DEG.	1
3	SS2200-3T	106-027	MANIFOLD STRAIGHT	1
3	SS2200-3TL	106-028	MANIFOLD 90 DEG.	1
4	SS2200-4	106-029	PISTON	1
5	SS2200-5	106-034	DIAPHRAGM TEFLON	1
6	SS2200-6	109-006	SPRING 0.296 DIA x 0.980 LG. X .043	1
7	SS2200-7	109-007	11/16" OD x 1/2" ID BUNA O-RING #112	1
8	SS2200-8	109-008	SS INTERNAL RETAINING RING	1
9	SS2200--9	109-009	3/4 OD x 5/8 ID BUNA O-RING #016	1
10	SS2200-10	109-010	9/32 OD x 5/32 ID BUNA O-RING # 007	1
11	SS2200-11		FLAT WASHER #8 3/8OD x 11/64 ID x 0.035 SS	1
12	SS2200-12		#6-32 Socket Head Cap Screw	2
13	SS2200-13	106-031	KEYED WASHER SPECIAL	1
14	SS2200-14	101-048	1/4-28 LUERLOCK NEEDLE ADAPTOR # CONNECT 0016	2
15	SS2200-15	101-046	1/8-NPT x 1/4" TUBING 90 DEG. KYNAR FIT 1/8-25 - 90	2
16	SS2200-16	106-047	0.375 DIA x 4" x 10-32 VALVE MNT POST	OPTIONAL 1
17	SS2200-17	106-033	V BLOCK MOUNTING BRACKET	OPTIONAL 1
18	SS2200-22	106-034	MANIFOLD WASHER	2
19	SS2200-23	101-008	10-32 TAPERED THREAD PLUG	OPTIONAL 1
20	SS2200-24		FLAT SOCKET HEAD CAP SCREW	OPTIONAL 1
21	SS2200-25		Set Screw #10-32 x 3/8	OPTIONAL 1
		110-030	SURESHOT DIAPHRAGM / SEAL KIT	
	SS2200-19	101-049	DIAPHRAGM COVER RING FOR UV APPLICATIONS	OPTIONAL 1
	SS2200-15	101-050	1/8-NPT x 1/4" TUBING 90 DEG. KYNAR BLACK FIT 1/8-25 - 90 (EFD PT# 7543BP)	OPTIONAL 2
	SS2200-14	101-051	1/4-28 LUERLOCK BLACK, NEEDLE ADAPTOR # CONNECT 0016	OPTIONAL 2



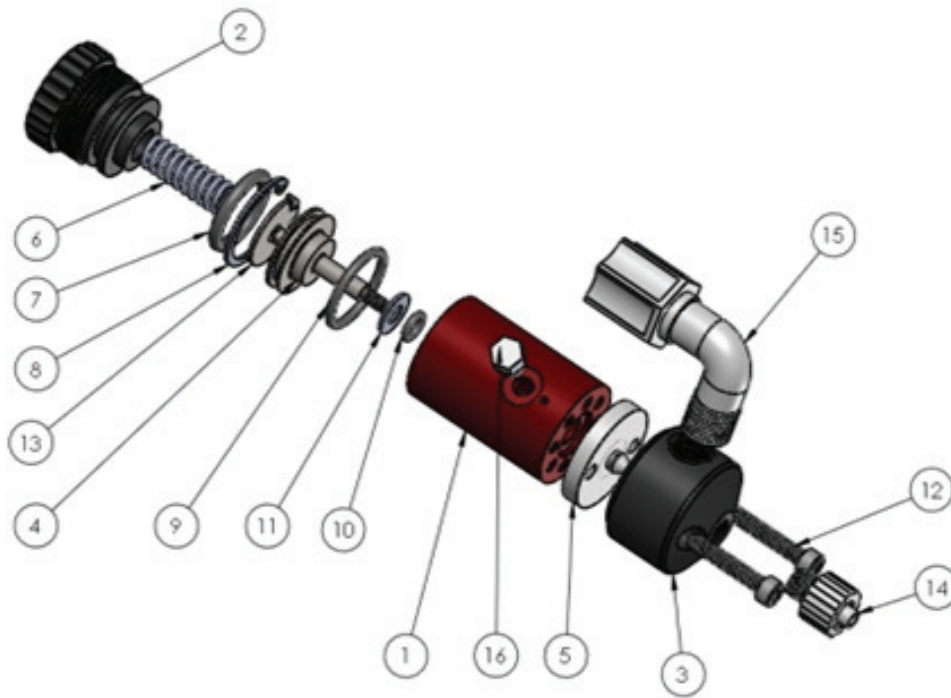


1.44" REF. ONLY  
LUERLOCK  
ADAPTOR/MICROTIP



- A PORT= 1032/5MM VALVE ACTUATION AIR INPUT 70 PSI MIN. 130 PSI MAX. VALVE LOGIC NORMAL CLOSED.
- B PORT= 0.38" DIA x 1/32 DP. C'BORE 1032/5MM POST / V / MOUNT.
- C PORT= 1/8"NPT FLUID INPUT NOR. CLOSED - 70 PSI MAXIMUM.
- D PORT= 1/4"-28 DISPENSE OUTPUT.
- E PORT= 1032/5MM OPTIONAL POST MOUNT (MUST BE VENTED)

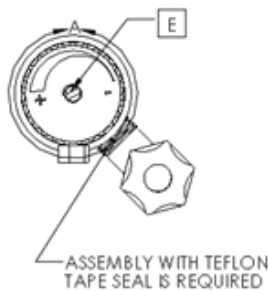
# 2014



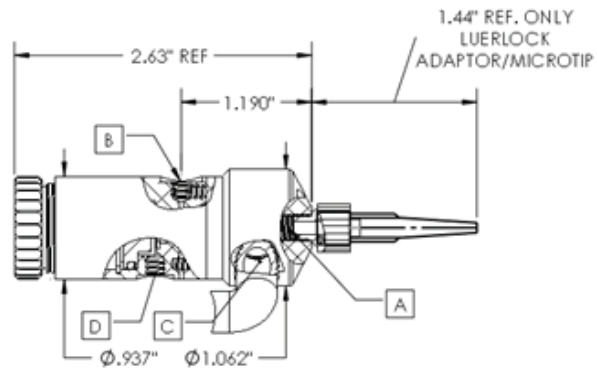
DETAIL A  
SCALE 2:1



FLOW METERING KNOB  
EACH STEP EQUALS  
.001" DIAPHRAM OPENING  
.03" MAXIMUM STROKE



ASSEMBLY WITH TEFLON  
TAPE SEAL IS REQUIRED



**A** PORT= 1032/5MM VALVE ACTUATION AIR INPUT 70 PSI MIN.  
130 PSI MAX. VALVE LOGIC NORMAL CLOSED.  
**B** PORT= 0.38" DIA x 1/32 DP, C'BORE 1032/5MM POST / V / MOUNT.  
**C** PORT= 1/8"NPT FLUID INPUT NOR. CLOSED - 70 PSI MAXIMUM.  
**D** PORT= 1/4"-28 DISPENSE OUTPUT.  
**E** PORT= 1032/5MM OPTIONAL POST MOUNT (MUST BE VENTED)

**HERNON<sup>®</sup>**  
**MANUFACTURING, INC.**  
Toll Free: 800-527-0004  
Telephone: 407-322-4000  
Website: hernon.com

**800-527-0004**

2014



**Sureshot 2200 Repair Kit**

**SURESHOT 2200 REPAIR KIT**

**STOCK NUMBER: 110-029**

**REFERENCE PART NUMBER: SS2200-18**

- Teflon diaphragm, o-ring seals, luer-lock
- Adapter and 1/8" npt x 90° kynar fitting o-ring seals.



**Sureshot 2200 UV Conversion Kit**

**SURESHOT 2200 UV CONVERSION KIT**

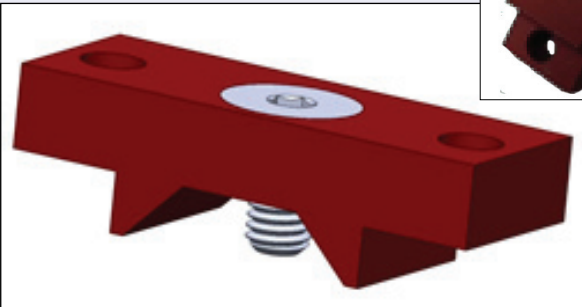
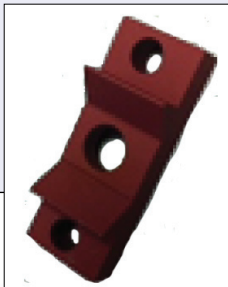
**STOCK NUMBER: 110-030**

**REFERENCE PART NUMBER: SS2200-UV**

- The ultraviolet conversion kit should be used when the valve is controlling and dispensing ultraviolet adhesives and sealants
- UV conversion kit is designed for sureshot model number SS-2200 & SS-2200-90 which have a black delrin manifold

**System includes:**

- Diaphragm uv guard ring
- Black luer-lock adapter
- Black 1/8" npt x 1/4" tube x 90° fluid connect fitting
- Diaphragm ring



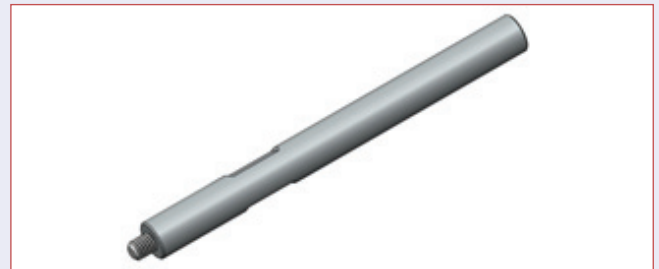
**Sureshot 2200 V Mounting Block**

**SURESHOT 2200 V MOUNTING BLOCK**

**STOCK NUMBER: 110-033**

**REFERENCE PART NUMBER: SS2200-17**

- Optional v block mount for sureshot 2200
- Dispense valve.
- Flat socket head cap screw



**Sureshot 2200 Mounting Rod**

**SURESHOT 2200 MOUNTING ROD**

**STOCK NUMBER: 110-032**

**REFERENCE PART NUMBER: SS2200-16**

- 3/8" (Ø0.375) x 4" LG. Stainless steel rod
- #10-32 stud, for side and end mounting SS2200

# Surehot 3000

## SURESHOT 3000 PARTS LIST

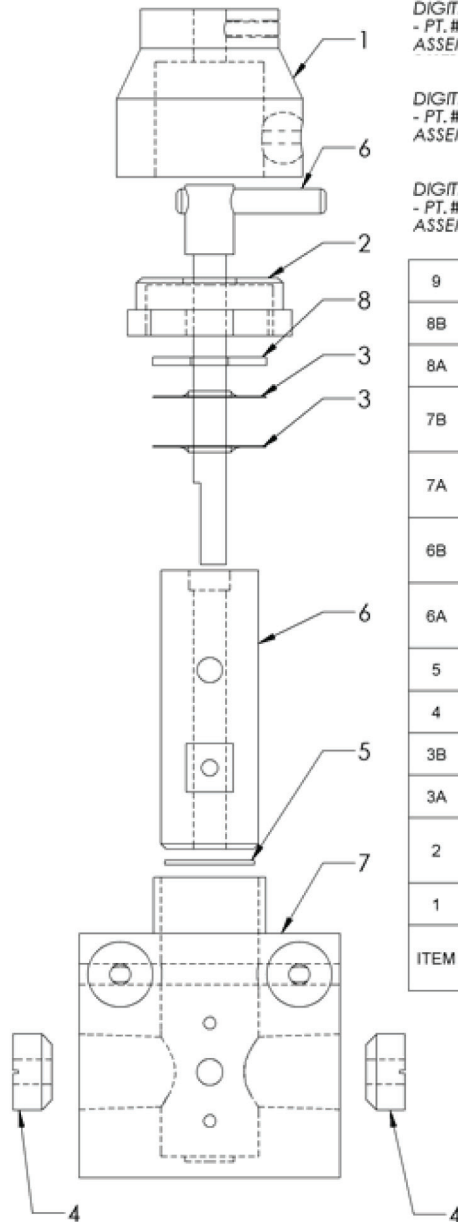
SS3000 1/4" AND 3/8" DIA.  
COMPONENTS LIST FOR STANDARD ASSEMBLY MODELS

DIGITAL DISPENSE WITH 1/4" PISTON ALUMINUM HOUSING  
- PT. # SS3000-7A-25  
ASSEMBLED COMPLETE WITHOUT ROTATING COUPLING

DIGITAL DISPENSE WITH 3/8" PISTON ALUMINUM HOUSING  
- PT. # SS3000-7A-38  
ASSEMBLED COMPLETE WITHOUT ROTATING COUPLING

DIGITAL DISPENSE WITH 1/4" PISTON STAINLESS STEEL HOUSING  
- PT. # SS3000-7B-25  
ASSEMBLED COMPLETE WITHOUT ROTATING COUPLING

DIGITAL DISPENSE WITH 3/8" PISTON STAINLESS STEEL HOUSING  
- PT. # SS3000-7B-38  
ASSEMBLED COMPLETE WITHOUT ROTATING COUPLING



ITEM	QTY	HERNON PT.#	DESCRIPTION
9	6	101-008	10-32 TAPERED THREAD PLUG
8B	1	109-043	3/8" ID TEFLON GLAND WASHER
8A	1	109-046	1/4" ID TEFLON GLAND WASHER
7B	1	106-109	STAINLESS STEEL PUMP BODY
7A	1	106-110	ANOZIDED ALUMINUM PUMP BODY
6B	1	105-001	3/8" DIA. ALUMINA PISTON & LINEAR SET
6A	1	105-002	1/4" DIA. ALUMINA PISTON & LINEAR SET
5	1	109-039	TEFLON HEAD SEAL
4	2	109-044	TEFLON PORT SEAL
3B	2	109-040	3/8" ID RULON PISTON SEAL
3A	2	109-042	1/4" ID RULON PISTON SEAL
2	1	109-045	SS NUT FOR RETAINING PUMP PISTON & SEALS
1	1	109-041	ROTATING COUPLING 1/4" ID

DO NOT SCALE DRAWING		REVISION
<b>HERNON MANUFACTURING</b>		
TITLE:		
<b>SS3000 PARTS LIST</b>		
DWG. NO.	SS3000-1	A4
SCALE:12	SHEET 1 OF 1	

2014



## Sureshot 3000

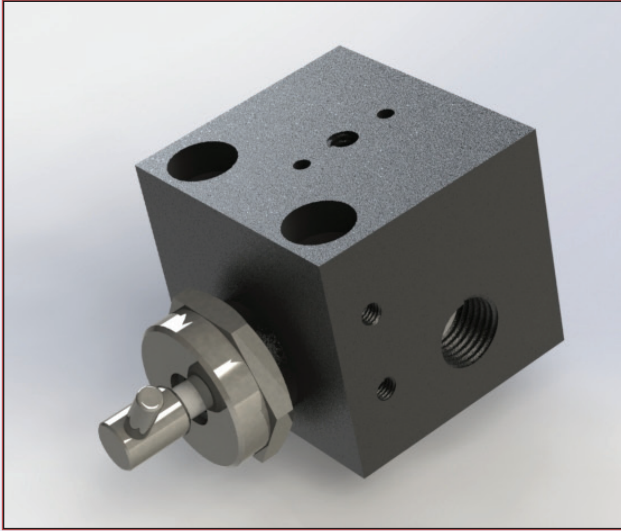
### Standard assembled models:

- 110-061 - Aluminum pump body /  $\varnothing$  1/4" piston
- 110-062 - Aluminum pump body /  $\varnothing$  3/8" piston
- 110-063 - Stainless steel pump body /  $\varnothing$  1/4" piston
- 110-064 - Stainless steel pump body /  $\varnothing$  3/8" piston

### Options:

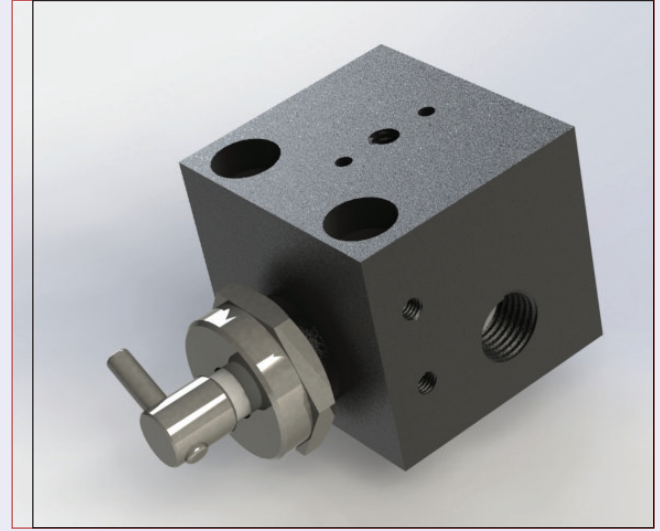
- 109-041 Rotating coupling 0.25 I.D.

2014



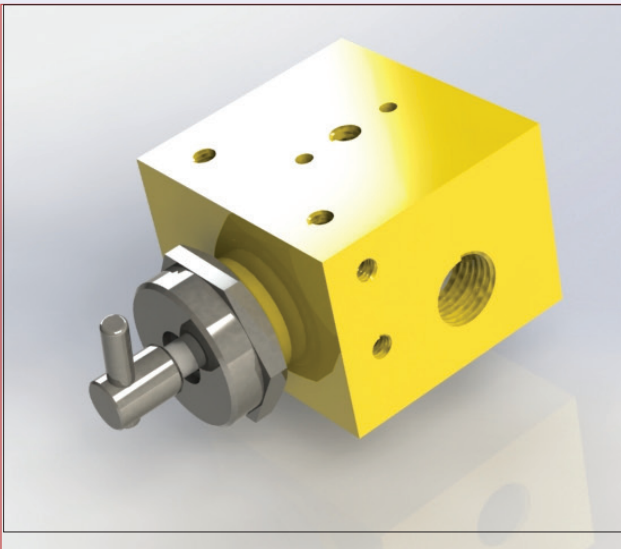
**Sureshot 3000**  
(Aluminum Body, Ø1/4" piston)

**PART NUMBER: 110-061**



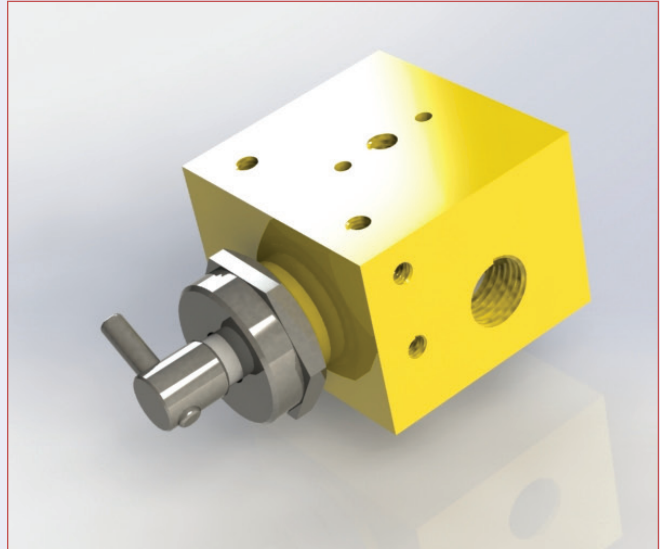
**Sureshot 3000**  
(Aluminum Body, Ø3/8" piston)

**PART NUMBER: 110-062**



**Sureshot 3000**  
(Stainless Steel Body, ø1/4" piston)

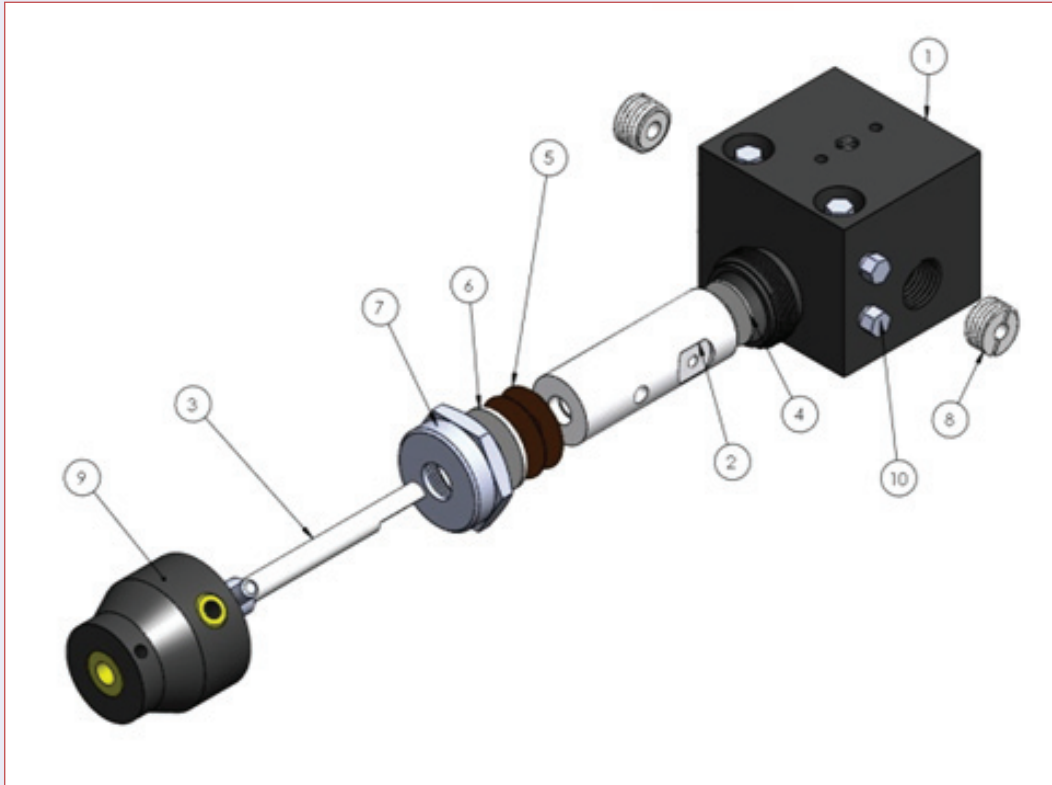
**PART NUMBER: 110-063**



**Sureshot 3000**  
(Stainless Steel Body, ø3/8" piston)

**PART NUMBER: 110-062**

# 2014



## Sureshot 3000 Components

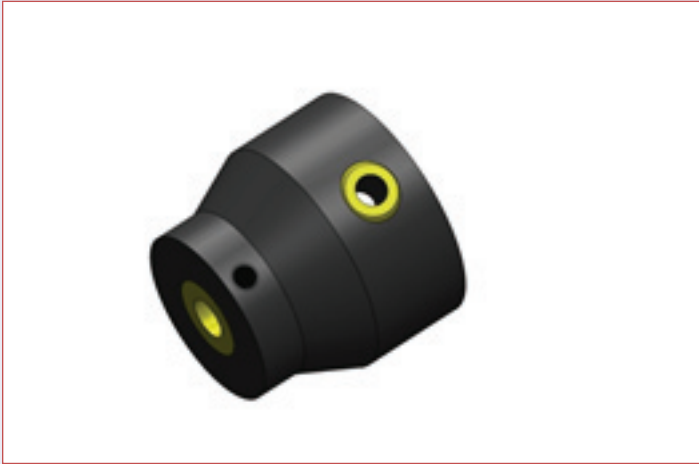
ITEM NO.	PART No.	DESCRIPTION	SS 3000 QTY.
1	106-110	ALUMINUM PUMP BODY	1
1	106-109	STAINLESS STEEL PUMP BODY	1
2	105-002	0.25 DIA. LINEAR SET	1
3	105-002	0.25 DIA. PISTON	1
2	105-001	0.375 DIA. LINEAR SET	1
3	105-001	0.375 DIA. PISTON	1
4	109-039	TEFLON HEAD SEAL	1
5	109-042	0.25 I.D. RULON PISTON SEAL	2
6	109-046	0.25 I.D. TEFLON GLAND WASHER	1
5	109-040	0.375 I.D. RULON PISTON SEAL	2
6	109-043	0.375 I.D. TEFLON GLAND WASHER	1
7	109-045	S.S. NUT FOR RETAINING PUMP PISTON AND SEAL	1
8	109-044	TEFLON PORT SEAL	2
9	109-041	ROTATING COUPLING 0.25 I.D.	1
10	101-008	10-32 TAPERED THREAD PLUG	6

**HERNON®**  
**MANUFACTURING, INC.**  
 Toll Free: 800-527-0004  
 Telephone: 407-322-4000  
 Website: hernon.com

**800-527-0004**



2014

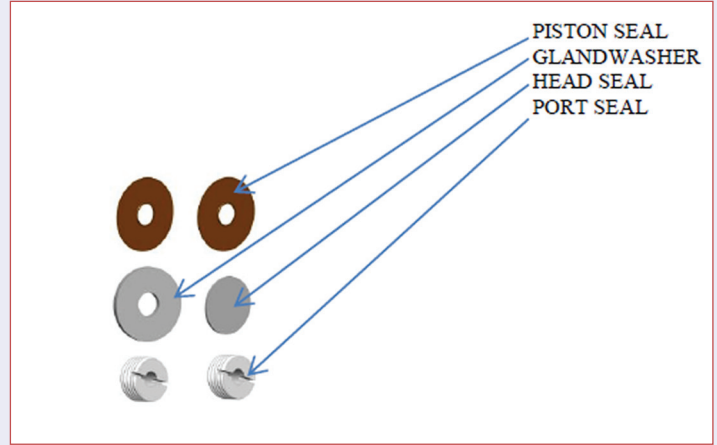


### Sureshot 3000

**PART NUMBER: 109-041**

**REFERENCE PART NUMBER: SS3000-12**

- Optional rotating coupling 0.25 I.D.

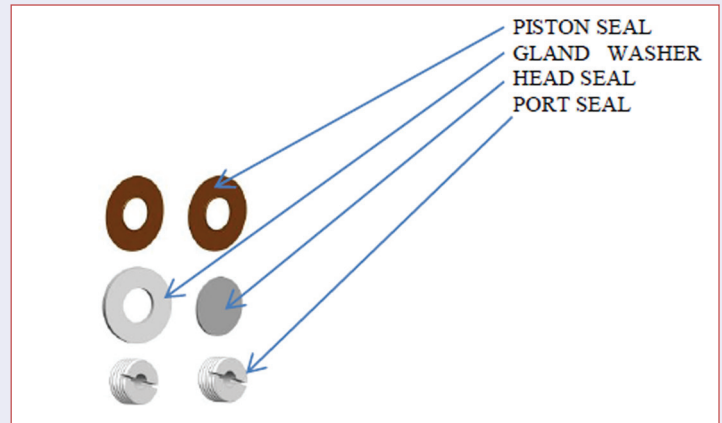


### 1/4" sureshot 3000 Repair Kit

**PART NUMBER: 110-069**

#### Systems includes

- Two 1/4" i.d. rulon piston seal
- One 1/4" Teflon gland washer
- One Teflon head seal
- Two Teflon port seal



### 3/8" Sureshot 3000 Repair Kit

**PART NUMBER: 110-070**

#### Systems includes

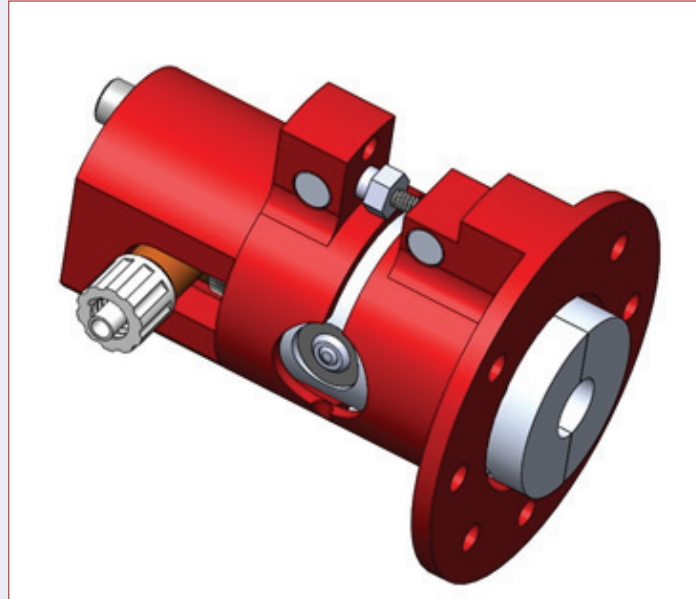
- Two 3/8" i.d. rulon piston seal
- One 3/8" Teflon gland washer
- One Teflon head seal
- Two Teflon port seal

**HERNON<sup>®</sup>**  
**MANUFACTURING, INC.**  
Toll Free: 800-527-0004  
Telephone: 407-322-4000  
Website: hernon.com

**800-527-0004**

# Sureshot 3200

2014



---

### Sureshot 3200

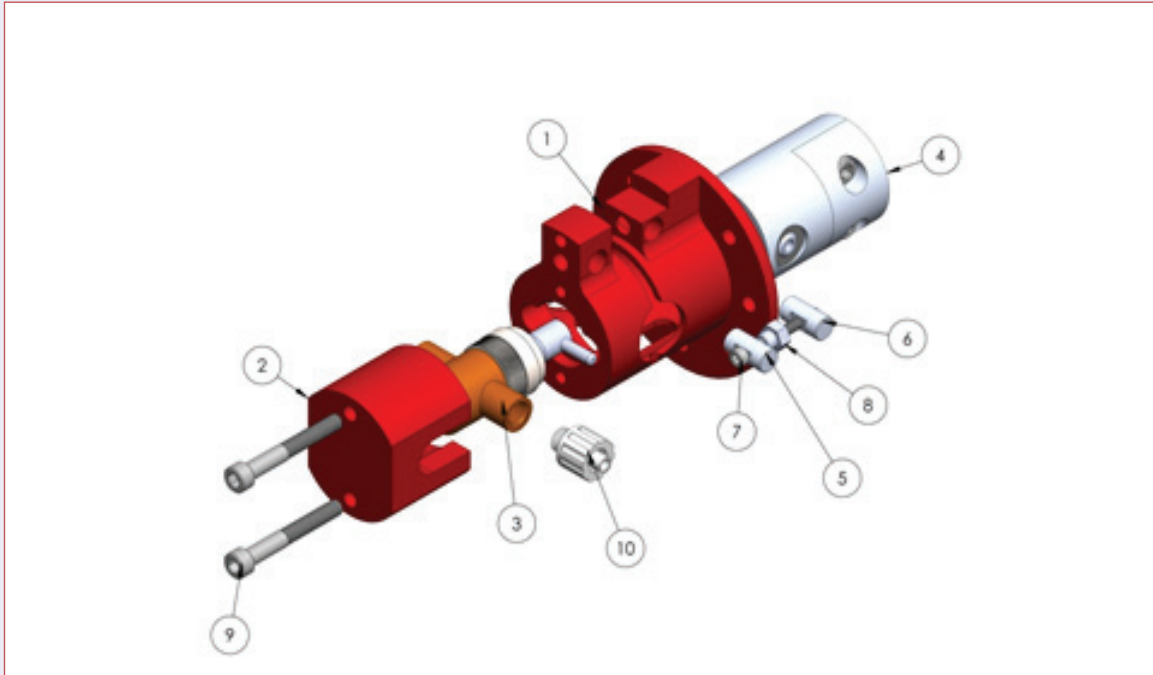
---

**PART NUMBER: 110-104**

#### **Adhesive / sealant and precision dispensing systems**

- Aluminum casting housing (red)
- 3/16" dia. Piston

# 2014

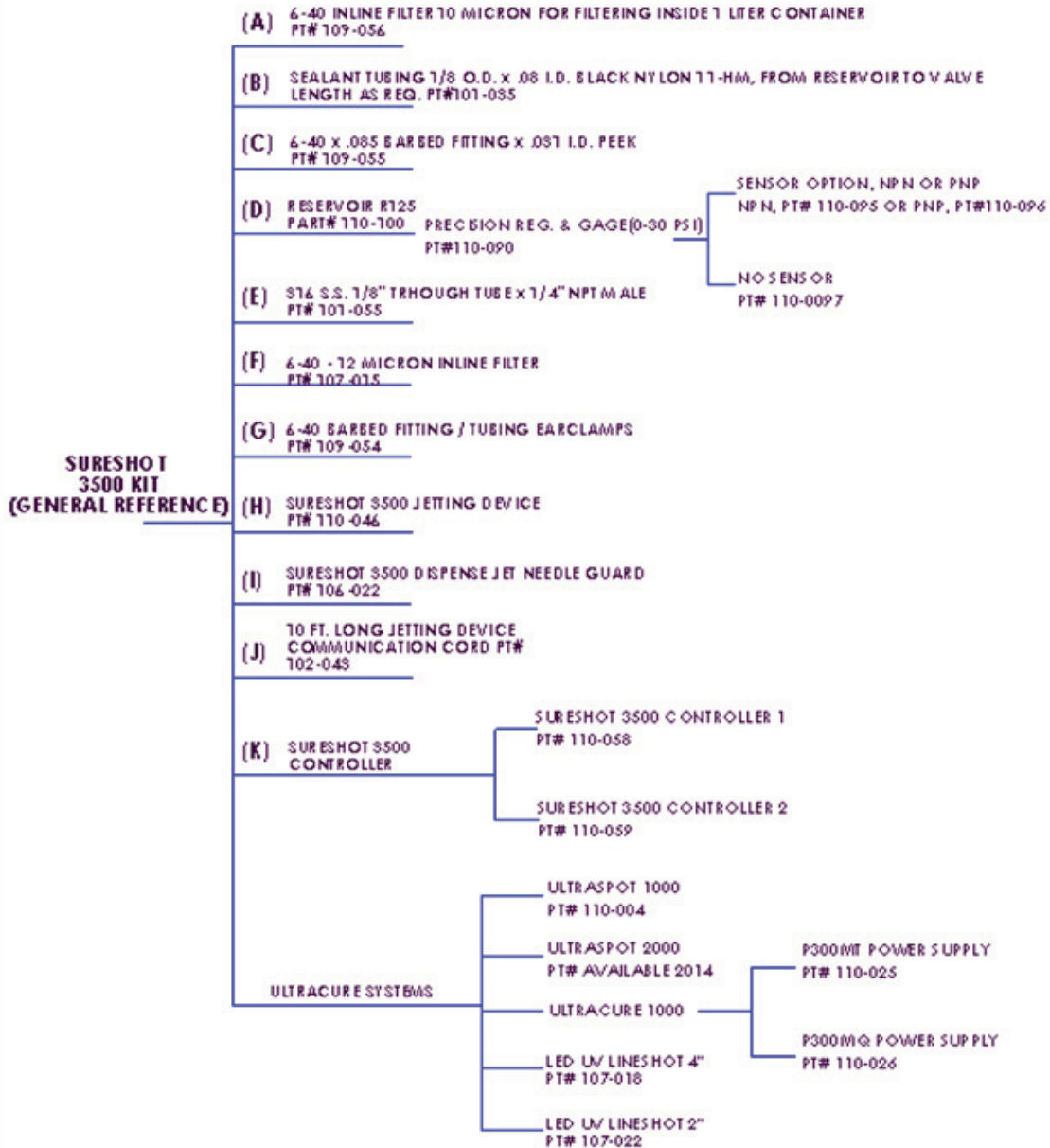


## Sureshot 3200 Components

ITEM NO.	PART No.	DESCRIPTION	QTY.
1	106-136	HOUSING, SURESHOT 3200	1
2	106-137	HOUSING CAP, SURESHOT 3200	1
3	105-000	FLUID METERING	1
4	106-138	ROTATING COUPLING ASSEMBLY	1
5	106-139	PITCH ADJUSTMENT SET	1
9		SOCKET HEAD CAP SCREW #8-32 x 1.25	2
10	101-048	1/4-28 LUERLOCK NEEDLE ADAPTOR 15	1

# Sureshot 3500

## BUILD YOUR SURESHOT 3500 "KIT"



2014

## BUILD YOUR SURESHOT 3500 "KIT" (GENERAL REFERENCE)



SEE ULTRACURE SYSTEMS IN FOLLOWING PAGES

**HERNON®**  
MANUFACTURING, INC.  
Toll Free: 800-527-0004  
Telephone: 407-322-4000  
Website: hernon.com

**800-527-0004**

2014



---

### SURESHOT 3500

---

**Hernon part number: 110-046**

- One 24v Jetting device 150 Micron Orifice / 1 Foot Cord



---

### SURESHOT 3500 TUBING

---

**Hernon part number: 101-035**

- 1/8" OD Long Black Teflon Tubing 250 PSI
- Buy by the foot.



2014

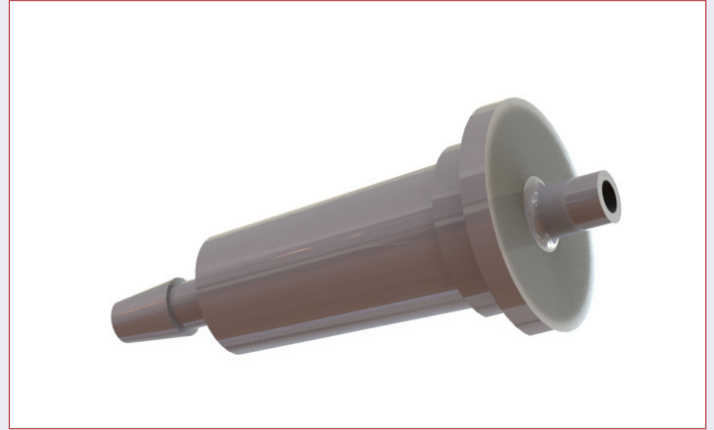


### SURESHOT 3500 Filter

Hernon part number: 107-015

REFERENCE PART NUMBER: SS3500-12M

- 6-40 Inline 12 micron filter



### SURESHOT 3500 10 Micron Filter

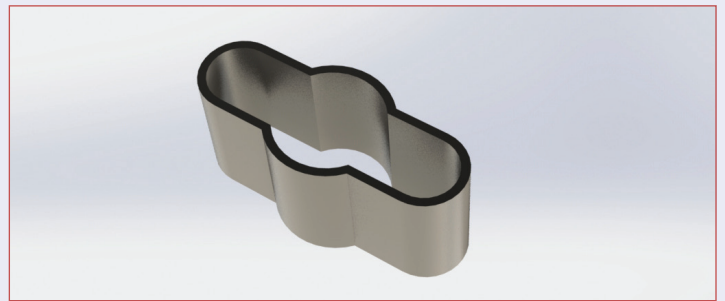
Hernon part number: 109-056

- 10 Micron filter for use inside the R125 or first filter on the line.
- Change every 8-12 Liters

### SURESHOT 3500 6-40 X .085 Barbed Fitting

Hernon part number: 109-055

- Barbed fitting for tubing attachment into system



### SURESHOT 3500 Tubing "Earclamps"

Hernon part number: 109-054

- Tubing Fastener

2014

### Sureshot 3500 Controller-1

**Part Number: 110-058**

**REFERENCE PART NUMBER: SS3500-CKT1-120**

- Enclosure with color touch screen PLC 100-240 VAC 50/60Hz
- Manual and auto start Pb
- Foot switch
- Timing – Dispense pulse timing in Microseconds
- No Jet Included
- Controls up to one jetting driver circuit boards / 1x Sureshot 3500



### Sureshot 3500 Controller-2

**Part Number: 110-059**

**REFERENCE PART NUMBER: SS3500-CKT2-120**

- Enclosure with color touch screen PLC 100-240 VAC 50/60Hz
- Manual and auto start Pb
- Foot switch
- Timing – Dispense pulse timing in Microseconds
- No Jet Included
- Controls up to two jetting driver circuit boards / 2x Sureshot 3500



### 10 FT Sureshot 3500 Control Cord

**Part Number: 102-043**

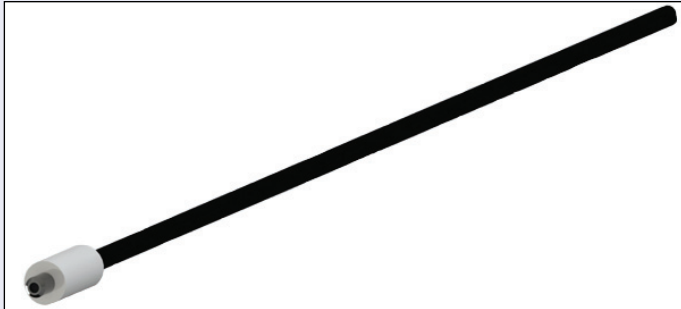
- Male / Female
- 3 Pin / 3 Meters Long



**HERNON®**  
MANUFACTURING, INC.  
Toll Free: 800-527-0004  
Telephone: 407-322-4000  
Website: hermon.com

**800-527-0004**

2014



---

### SURESHOT 3500 Tubing

---

**Hernon part number: 107-016**

**Reference Part Number: SS3500-06X40**

- 1/8" Black Teflon Tubing 150 PSI with 6-40 threaded coupling one end only
- Sold per foot

# Sureshot 4000

2014



---

## Sureshot 4000

---

### Standard assembled models:

- 110-005 - Aluminum manifold / aluminum piston, straight dispense port
- 110-067 - Aluminum manifold / aluminum piston, 90° dispense port
- 110-006 - Aluminum manifold / Teflon piston, straight dispense port
- 110-007 - Aluminum manifold / Teflon piston, 90° dispense port

### Options:

- Sureshot 4000 repair kit aluminum piston
- Sureshot 4000 repair kit Teflon piston
- 1/4" NPT x fluid connect, straight and 90°
- 1/8" NPT air input

2014



### Sureshot 4000 (Straight)

**SURESHOT 4000 (STRAIGHT) ALUMINUM PISTON**  
**PART NUMBER: 110-005**

**WEIGHT=0.6 POUNDS**

- Pneumatic dispensing valve for high-flow, high viscosity materials
- Constructed of anodized aluminum for wetted compounds
- "Pull Back" feature eliminates waste
- Withstands fluid pressure to 450 psi
- Excellent for manual or automated production
- Used standard luer-lock needles
- 1/8" npt mount
- 1/4" npt dispense port thread
- 1/4" npt input thread

**System includes:**

- 1/4" npt x luer-lock adapter



### Sureshot 4000 (90°) Aluminum Piston

**SURESHOT 4000-L (90°) ALUMINUM PISTON**  
**PART NUMBER: 110-067**

**WEIGHT=0.63 POUNDS**

- Pneumatic dispensing valve for high-flow, high viscosity materials
- Constructed of anodized aluminum for wetted compounds
- "Pull Back" feature eliminates waste
- Withstands fluid pressure to 450 psi
- Excellent for manual or automated production
- Used standard luer-lock needles
- 1/8" npt mount
- 1/4" npt dispense port thread
- 1/4" npt input thread

**System includes:**

- 1/4" npt x luer-lock adapter

2014



### Sureshot4000-T (Straight) Teflon piston

#### SURESHOT4000-T (STRAIGHT) TEFLON PISTON

**PART NUMBER: 110-006**

- For anaerobic gasket replacing and sealants
- Pneumatic dispensing valve for high-flow, high Viscosity materials
- Constructed of anodized aluminum for wetted compounds
- "Pull Back" feature eliminates waste
- Withstands fluid pressure to 450 psi
- Excellent for manual or automated production
- Used standard luer-lock needles
- 1/8" npt mount
- 1/4" npt dispense port thread
- 1/4" npt input thread

#### System includes:

- 1/4" npt x luer-lock adapter



### Sureshot 4000-TL (90°) Teflon piston

#### SURESHOT 4000-TL (90°) TEFLON PISTON

**PART NUMBER: 110-007**

- For anaerobic gasket replacing and sealants
- Pneumatic dispensing valve for high-flow, high Viscosity materials
- Constructed of anodized aluminum for wetted compounds
- "Pull Back" feature eliminates waste
- Withstands fluid pressure to 450 psi
- Excellent for manual or automated production
- Used standard luer-lock needles
- 1/8" npt mount
- 1/4" npt dispense port thread
- 1/4" npt input thread

#### System includes:

- 1/4" npt x luer-lock adapter

**HERNON®**  
**MANUFACTURING, INC.**

Toll Free: 800-527-0004  
Telephone: 407-322-4000  
Website: hernon.com

**800-527-0004**

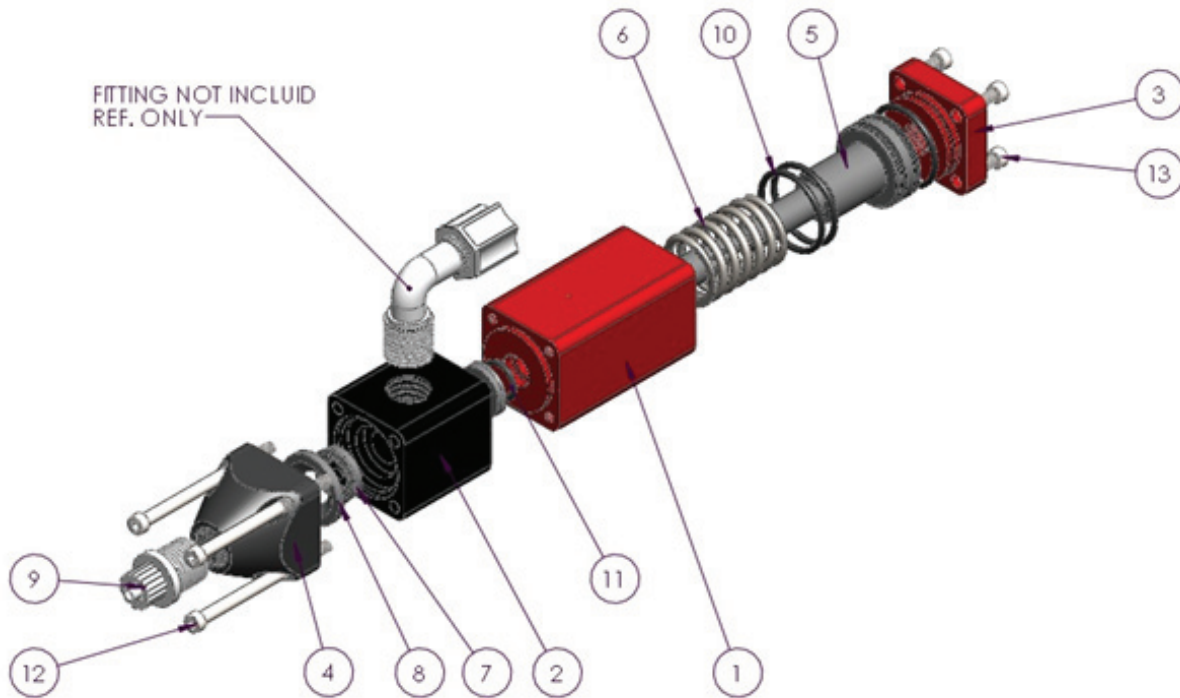
# 2014

## Sureshot 4000 Components

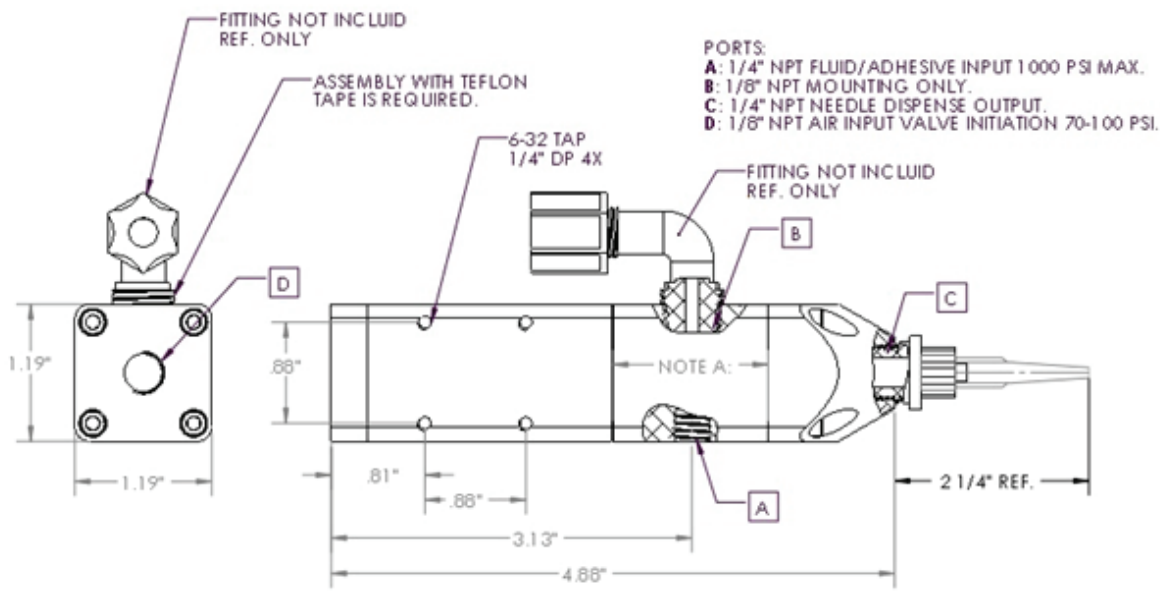
ITEM NO.	DWG. No.	PART No.	DESCRIPTION	QTY.
1	SS4000-1	106-041 VALVE	BODY	1
2	SS4000-2	106-039	VALVE PORT	1
3	SS4000-3	106-042	CYLINDER CAP	1
4	SS4000-4	106-043	MANIFOLD STRAIGHT	1
5	SS4000-6	106-037	PISTON ALUMINUM	1
6	SS4000-7	109-031	SPRG S.S. .84 DIA x 1 1/2" LG. .098 WIRE	1
7	SS4000-8	109-015	PACK SEAL 3/8" I.D. x 5/8" O.D.	2
8	SS4000-9	106-040	WASHER PLATE	1
9	SS2200-11	101-025	1/4-28 LUERLOCK NEEDLE ADAPTOR	1
10	SS4000-12	109-013	1" O.D. x 7/8" I.D. VITON O-RING	3
11	SS4000-13	109-014	1/2" O.D. x 3/8" I.D. VITON O-RING	1
12	SS4000-15		SOCKET H.C. SCREW 6-32 x 2" LG.	4
13	SS4000-16		SOCKET H.C. SCREW 6-32 x 1/2" LG	4



# 2014



FITTING NOT INCLUID  
REF. ONLY



FITTING NOT INCLUID  
REF. ONLY

ASSEMBLY WITH TEFLON  
TAPE IS REQUIRED.

6-32 TAP  
1/4" DP 4X

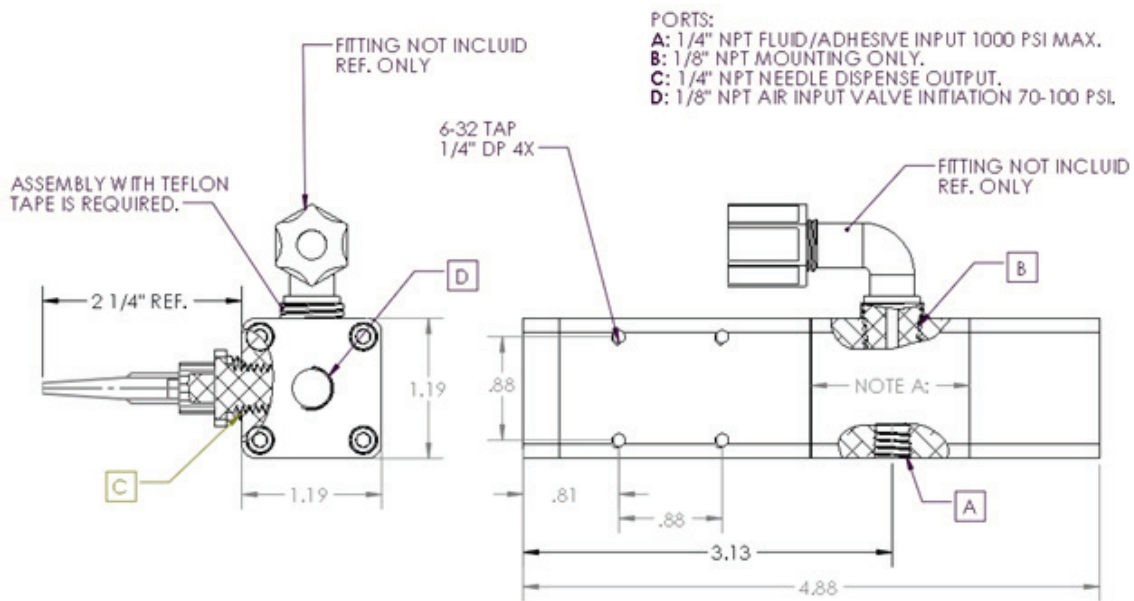
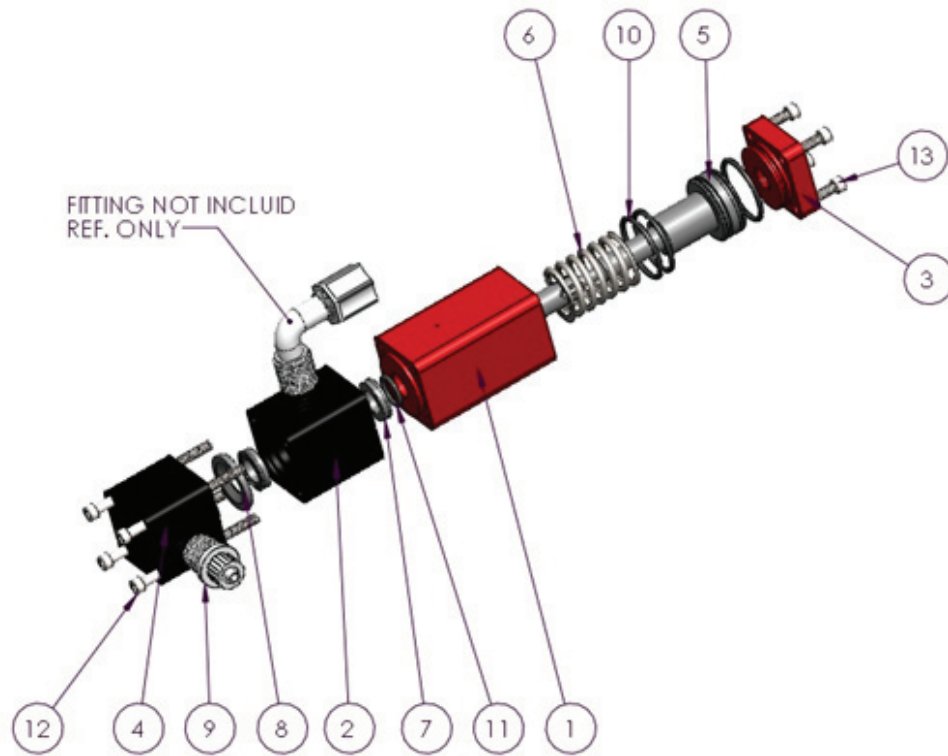
PORTS:  
A: 1/4" NPT FLUID/ADHESIVE INPUT 1 000 PSI MAX.  
B: 1/8" NPT MOUNTING ONLY.  
C: 1/4" NPT NEEDLE DISPENSE OUTPUT.  
D: 1/8" NPT AIR INPUT VALVE INITIATION 70-1 00 PSI.

FITTING NOT INCLUID  
REF. ONLY

NOTE A: MANFOLD CAN BE ROTATED IN 90 DEGREE INCREMENTS  
IN RELATION TO THE MOUNTING HOLES.

**HERNON®**  
MANUFACTURING, INC.  
Toll Free: 800-527-0004  
Telephone: 407-322-4000  
Website: hernon.com

**800-527-0004**



PORTS:  
**A:** 1/4" NPT FLUID/ADHESIVE INPUT 1000 PSI MAX.  
**B:** 1/8" NPT MOUNTING ONLY.  
**C:** 1/4" NPT NEEDLE DISPENSE OUTPUT.  
**D:** 1/8" NPT AIR INPUT VALVE INITIATION 70-100 PSL

NOTE A: MANIFOLD CAN BE ROTATED IN 90 DEGREE INCREMENTS IN RELATION TO THE MOUNTING HOLES.

2014



**Sureshot 4000 Repair Kit Dispense Valve,  
aluminum piston**

**STOCK NUMBER: 110-032**

**REFERENCE PART NUMBER: SURESHOT 4000/R-KIT**

**System includes:**

- Two pac seal 4000
- One O-ring cylinder cap
- Two O-ring piston head
- One O-ring piston rod



**Sureshot 4000 Repair Kit Dispense Valve,  
aluminum piston**

**STOCK NUMBER: 106-127**

- 3/8" (Ø 0.375) x 4" LG. Stainless steel rod

# Ultraspot 1000

# 2014

## Ultraspot 1000

**Part Number: 110-004**

**Reference Part Number: ULTRASPOT 1000**

- 200 watt UV spot curing
- Power Supply/Glasses
- Foot Switch PLC User
- Interface/ I/O Communications

**Accessories:**

- Safety Glasses
- Foot pedal
- 1000 Lamp
- Housing, clamps and sockets



## Filter Replacement Media

**Part Number: 107-004**

**Reference Part Number: US1000-23**

- Pack of 5 pcs



## Ultraspot 1000 Lamp 200 Watt

**Part Number: 102-000**

**Reference Part Number: US1000-10**



**HERNON<sup>®</sup>**  
MANUFACTURING, INC.  
Toll Free: 800-527-0004  
Telephone: 407-322-4000  
Website: hernon.com

**800-527-0004**

2014

---

**IR Filter UVA Only (Option)**

---

**Part Number: 107-001**

**REFERENCE PART NUMBER: US1000-25**



---

**IR Filter UVA Only (Standard)**

---

**Part Number: 107-000**

**REFERENCE PART NUMBER: US1000-26**



---

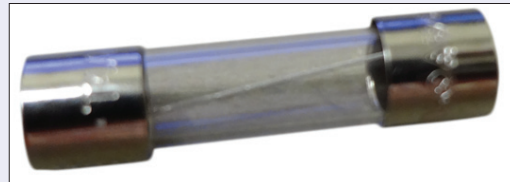
**Main Fuse – 4 AMP Slow Blow**

---

**Part Number: 102-028**

**REFERENCE PART NUMBER: US1000-30**

- 4 AMP Slow Blow Fuse



---

**US1000 Safety Glasses**

---

**Part Number: 107-009**

**Reference Part Number: US1000-42**

- Safety Glasses Shade 5 Green



**HERNON<sup>®</sup>**  
**MANUFACTURING, INC.**  
Toll Free: 800-527-0004  
Telephone: 407-322-4000  
Website: hernon.com

**800-527-0004**

2014

---

### 5mm Liquid Optic Wand

---

**Part Number:** 107-003

**Reference Part Number:** US1000-22

- 1 meter long



---

### 8mm Liquid Optic Wand

---

**Part Number:** 107-002

**Reference Part Number:** US1000-21

- 1 meter long



---

### Dual 3mm Wand for use with Ultraspot 100

---

**Part Number:** 107-002

**Reference Part Number:** US1000-21

- 1 meter long



---

### Liquid Optic Wand

---

**Part Number:** 107-010

**Reference Part Number:** US1000-33

- 5mm x 1500mm (59" LG.)



2014

---

### Liquid Optic Wand

---

**Part Number: 107-011**

**Reference Part Number: US1000-34**

- 8mm x 1500mm (59" LG)



---

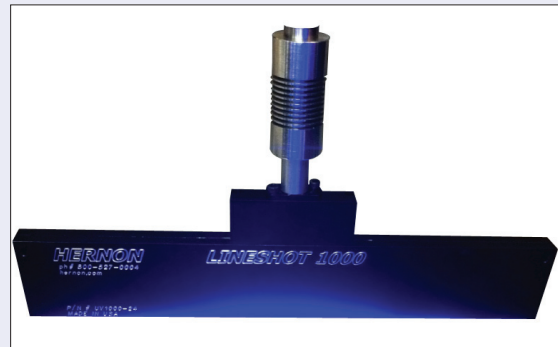
### Lineshot 1000

---

**Part Number: US1000-24**

**Reference Part Number: US1000-24**

- UV Beam Adaptor – Lineshot1000
- 8mm Diameter Wand to 10.8" Linear



---

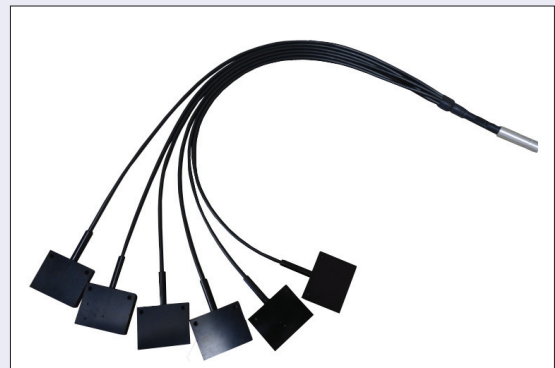
### 6 Ended Lineshot Wand

---

**Part Number: 107-006**

**Reference Part Number: US1000-43**

- 6 2" long Lineshot
- 12" total of fiber optic wand X 36" in Length



---

### Lineshot 3400

---

**Part Number: 107-008**

**Reference Part Number: US1000-47**

- 3.4" long inline array/wand 30" Lg.
- U.V. Array 3.4" LG. x 30" Long Wand Fiber Optic



**HERNON<sup>®</sup>**  
MANUFACTURING, INC.  
Toll Free: 800-527-0004  
Telephone: 407-322-4000  
Website: hernon.com

**800-527-0004**



## Optical Wand Stand 5mm

**Part Number: 110-041**

**REFERENCE PART NUMBER: SS-2200-30-5UV**

- Stand for US1000 Wand 5mm and 8mm



## Radiometer for Measuring U.V.

**Part Number: 107-012**

**REFERENCE PART NUMBER: RADIOMETER 002**

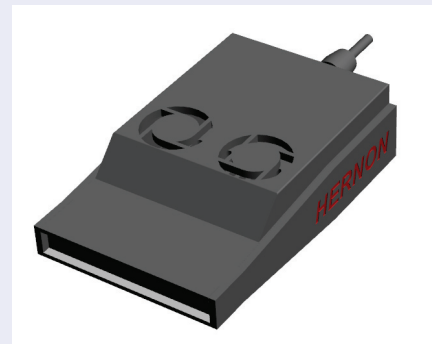
- Radiometer for Measuring UV Power of Spot UV Units US 500 & US 1000



## LED UV Lineshot .3" x 4" Array

**Part number : 107-018**

- 365nm High Output LED
- 24 vdc input power State/W cm<sup>2</sup>
- Built in power regulation and over temperature protection
- Does not include power supply



## Ultracure® 22

**Part number : 108-117**

**REFERENCE PART NUMBER: ULTRACURE22**

- Miniature UV Inspection Light
- UV LED / 365 nm
- Includes batteries



# Ultracure Line

2014



---

### Ultracure® 6

---

Part number : 107-022

- Ultra Violet Energy (UVE) Cure
- 365nm High Output LED
- 24 vdc input power State/W cm<sup>2</sup>
- Built in power regulation and over temperature protection
- Does not include power supply

**HERNON®**  
**MANUFACTURING, INC.**  
Toll Free: 800-527-0004  
Telephone: 407-322-4000  
Website: hernon.com

**800-527-0004**

2014

---

### Ultracure® 100

---

**Part number: 110-010**

**REFERENCE PART NUMBER: ULTRACURE-100**

- 100 watt mercury lamp unit
- 120V, 50/60 Hz internal power supply
- 4" lamp arc length
- Compact & lightweight, excellent portability
- Instructions included



---

### Ultracure® 100-A

---

**Part number: 110-011**

**REFERENCE PART NUMBER: ULTRACURE100A**

- 100 watt mercury lamp unit
- 220V, 50/60 Hz internal power supply
- 4" lamp arc length
- Compact & lightweight, excellent portability
- Instructions included



---

### Ultracure® 200

---

**Part Number: 110-012**

**REFERENCE PART NUMBER: ULTRA200**

- 1,000 watt, 200wpi mercury UV curing lamp unit
- 120V, 60Hz, 12 amp remote power supply
- 5" lamp length, non-focused, half-round reflector
- Instructions included



**HERNON®**  
**MANUFACTURING, INC.**  
Toll Free: 800-527-0004  
Telephone: 407-322-4000  
Website: hernon.com

**800-527-0004**

2014

---

### Ultracure® 200-220V

---

**Part Number: 110-013**

**REFERENCE PART NUMBER: ULTRA200-F-50**

- 1,000 watt, 200wpi mercury UV curing lamp unit
- 220V , 50Hz, 12 amp remote power supply
- 5" lamp length, non-focused, half-round reflector
- 4' power cord without plug
- Instructions included



---

### Ultracure® 300

---

**Part number: 110-014, 110-015**

**REFERENCE PART NUMBER: ULTRA300**

- 1,000 watt, 200 wpi mercury UV curing lamp unit
- 120V, 60 Hz, 16 amp remote power supply
- 5" lamp arc length, adjustable & focused light reflector
- Instructions included



---

### Ultracure® 400

---

**Part number: 110-016, 110-017**

**REFERENCE PART NUMBER: ULTRA400**

- 1,000 watt, 200wpi mercury UV curing lamp unit
- 220V , 50Hz, 12 amp remote power supply
- 5" lamp length, non-focused, half-round reflector
- 4' power cord without plug
- Instructions included



**HERNON®**  
**MANUFACTURING, INC.**  
Toll Free: 800-527-0004  
Telephone: 407-322-4000  
Website: hernon.com

**800-527-0004**

# 2014

## Ultracure 500-A

**Part number: 110-018, 110-019**

**REFERENCE PART NUMBER: ULTRA500A**

- 1,600 watt, 300 wpi mercury UV curing lamp unit
- 120V, 60 Hz, 16 amp remote power supply
- 8" lamp arc length, adjustable & focused light reflector
- Instructions included



## Ultracure 1000

**Part Number: 110-025 (P300MT Power Supply)**

**Part Number: 110-026 (P300MQ Power Supply)**

**REFERENCE PART NUMBER: ULTRA1000**

- 1,800 watt, 300 wpi mercury UV curing lamp unit
- 100% Solid-State PLC control
- 208V, 50/60 hz, 18 amp, one phase remote power supply
- 6" lamp arc length, semi-elliptical focus at 2.1" (53.3mm from irradiator face)
- Internal cooling fan
- Can be used alone or in conjunction with Ultra-Conveyor 1000
- Includes Electrode less D-Bulb and instruction manual



## Ultracure 2000

**Part number: 110-027**

**REFERENCE PART NUMBER: ULTRA2000**

- 2,800 watt, 500 wpi, electrode less, microwave powered UV irradiator
- 100% Solid-State PLC control
- 200-240/380-415/440-480V, 50/60HZ 18 amp, three-phase remote power supply
- 6" lamp arc length, semi-elliptical focus at 2.1" (53.3mm from irradiator face)
- Internal cooling fan
- Can be used alone or in conjunction with the Ultra-Conveyor 1000
- Includes electrode less D-Bulb and Instruction Manual



**HERNON®**  
**MANUFACTURING, INC.**  
Toll Free: 800-527-0004  
Telephone: 407-322-4000  
Website: hernon.com

**800-527-0004**

2014

### Ultra-conveyor 1000

Part number: 110-024

REFERENCE PART NUMBER: ULTRACON1000

- 100% Solid-State bench top conveyor unit for use with the Ultracure 1000 & 2000 UV curing systems
- Can hold substrates up to 7.5" x 3", with a cure area up to 6" x 3"
- 6" lamp arc width-fully rotatable lamp position to 360 degrees (100mm beyond focus)
- Internal cooling fan
- Seamless belt constructed of Kevlar coated Teflon for smooth performance & reduced static charges
- 4 standard speed ranges, 2 belt rotation cw/ccw  
Contact Heron for more information
- **DOES NOT INCLUDE LIGHT SOURCE**



## UV Replacement Lamp - 100 Watt

**Part Number: 102-049**

**REFERENCE PART NUMBER: ULTRAPT0001-A**

- 100 Watt replacement spot lamp for the Ultracure 100 - 220V
- Lamp life approximately 1,000 hours (Based on three starts per day)



## UV Replacement Lamp - Ultracure

**Part Number: 102-045**

**REFERENCE PART NUMBER: ULTRAPT0002**

- 200 wpi, 5" arc/10 replacement Lamp for the Ultracure 200
- Lamp life is approximately 1,000 hours (Based on three starts per day)



## UV Replacement Lamp - Ultracure

**Part number: 102-046**

**Reference Part Number: ULTRAPT50C**

- 300 wpi, 5" arc/13" replacement lamp for the Ultracure 400
- Lamp life is approximately 1,000 hours (Based on three starts per day)





2014

---

### Replacement LAMP FOR ULTRA SPOT 500

---

Part number: 102-048

Reference Part Number: ULTRAPT500



---

### UV Replacement Lamp - Ultracure 1000 and 2000

---

Part number: 102-050

Reference Part Number: ULTRAPT1000-D, ULTRA2000-D

- Electrode less type d bulb designed for use with Ultracure 1000 & 2000 UV Curing Systems
- Excellent for curing high viscosity UV adhesives & coatings
- Expected bulb life approximately 5,000 hours
- Type D



---

### UV Replacement Lamp - Ultracure 1000 and 2000

---

Part number: 102-051

Reference Part Number: ULTRAPT1000-H, ULTRA2000-H

- Electrode less type d bulb designed for use with Ultracure 1000 & 2000 UV Curing Systems
- Excellent for curing high viscosity adhesives, clear-coats & finishes
- Expected bulb life approximately 5,000 hours
- Type H



# CARTRIDGE DISPENSING GUNS

2014

---

### 50 ml Dual Cartridge Dispense Gun

---

**Part number: 110-020**

**Reference Part Number: GUN0001**

- Manual operated dispensing gun for 50ml dual cartridge adhesives



---

### 300 ml Cartridge Dispense Gun

---

**Part number: 110-021**

**Reference Part Number: GUN0300-PA**

- Pneumatic dispensing gun for 300ml cartridges of adhesives & sealants



2014

---

### 400 ml Dual Cartridge Dispense Gun

---

**Part number: 110-022**

**Reference Part Number: GUN0400**

- Manually operated dispensing gun for 400ml dual cartridge adhesives



---

### Pneumatic 400 ml 2 Part Dispense Gun

---

**Part Number: 110-023**

**Reference Part Number: Gun0400-P**

- Pneumatic operated dispensing gun for 400 ml dual cartridges



# DISPENSING PENS

---

## Dispensing pen without control switch

---

**Part number : DISPENSE0002**

**Reference Part Number: DISPENSE0002**

- Automated dispensing pen
- With male & female Luer-lock ends
- For use with the Autobonder 2111



---

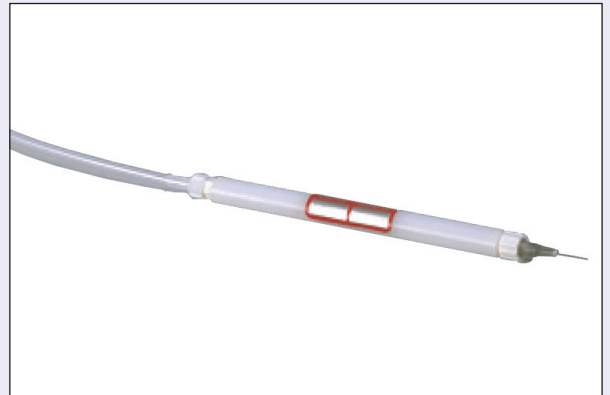
## Dispensing Pen without switch

---

**Part number: DISPENSE0001**

**Reference Part Number: DISPENSE0001**

- Manual dispensing pen
- With male & female LUER-Lock ends
- For use with the Autobonder 2111



# PRODUCT ACCESSORIES

# Foot Pedals



2014

---

### Foot Pedal Control Unit

---

**Part number: 110-009**

**Reference Part Number: ControlPT0002**

- Foot pedal for use with most systems



# Syringe Adapters

2014

---

### 30cc Syringe ADAPTER 0010

---

Part number: 104-003

Reference Part Number: 30cc Syringe ADAPTER 0010

- 30cc Pneumatic syringe adaptor
- Use with Herson 2101 Series Control



---

### 3cc Syringe ADAPTER 0007

---

Part number: 104-000

Reference Part Number: 3cc Syringe ADAPTER 0007

- 3cc Pneumatic syringe adaptor
- Use with Herson 2101 Series Control



2014

---

### 5cc Syringe ADAPTER 0008

---

**Part number: 104-002**

**Reference Part Number: 5cc Syringe ADAPTER 0008**

- 5cc Pneumatic syringe adaptor
- Use with Heron 2101 Series Control



---

### 10cc Syringe ADAPTER 0009

---

**Part number: 104-001**

**Reference Part Number: ADAPTER0009**

- 10cc Pneumatic syringe adaptor
- Use with Heron 2101 Series Control



# Assorted Fittings

2014

### Tube Adapter for Auto sealer 2600

Part number: ADAPTER2600-48

- Tube Adapter for Auto sealer 2600



### 1/4" NPT x 1/2 tube Kynar Fittings

Part number: 101-042

Reference Part Number: FIT1/4-50

- 1/4" NPT x 1/2 tube Kynar Fittings



### Adapter -1/8" NPT x 1/4" tube Kynar Fittings

Part number: 101-043

Reference Part Number: FIT1/4-50

- 1/8" NPT x 1/4" TUBE KYNAR FITTINGS



2014

---

### 1/4" NPT X 1/2" Tube X 90° Kynar Fitting

---

Part number: 101-044

Reference Part Number: FIT1/4-50

- 1/4" NPT X 1/2" Tube X 90° Kynar Fitting



---

### 1/4" NPT X 3/8" Tube X 90° Kynar Fitting

---

Part Number: 101-045

Reference Part Number: FIT 1/4x 37-90

- 1/4" NPT X 3/8" Tube X 90° Kynar Fitting



---

### 1/8" NPT X 1/4" Tube X 90° Kynar Fitting

---

Part number: 101-046

Reference Part Number: FIT1/4-50-90

- 1/8" NPT X 1/4" Tube X 90° Kynar Fitting



2014

---

**1/4" NPT X 1/4" Tube X 90° Kynar Fitting**

---

**Part Number: 101-047**

**Reference Part Number: FIT1/4-50-90**

- 1/4" NPT X 1/4" Tube X 90° Kynar Fitting



---

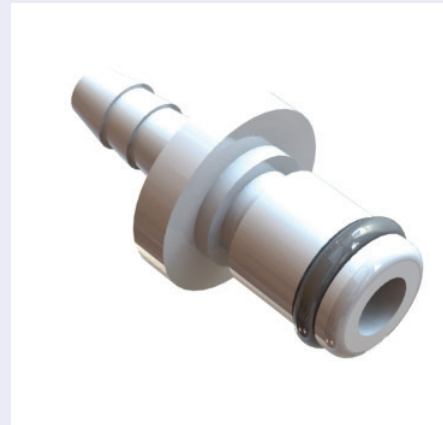
**Male connector with barb and quick disconnect CONNECT0027-SS**

---

**Part Number: 101-013**

**Reference Part Number: CONNECT0027-SS**

- Male connector with barb and quick disconnect RADIOMETER0002



---

**Male quick disconnect X 1/8" NPT**

---

**Part Number: 101-029**

**Reference Part Number: CONNECT0031**

- Male quick disconnect X 1/8" NPT



---

**1/4" stainless steel female compression connector**

---

**Part Number: 101-028**

**Reference Part Number: CONNECT0027-SS**

- 1/4" stainless steel female compression connector





2014

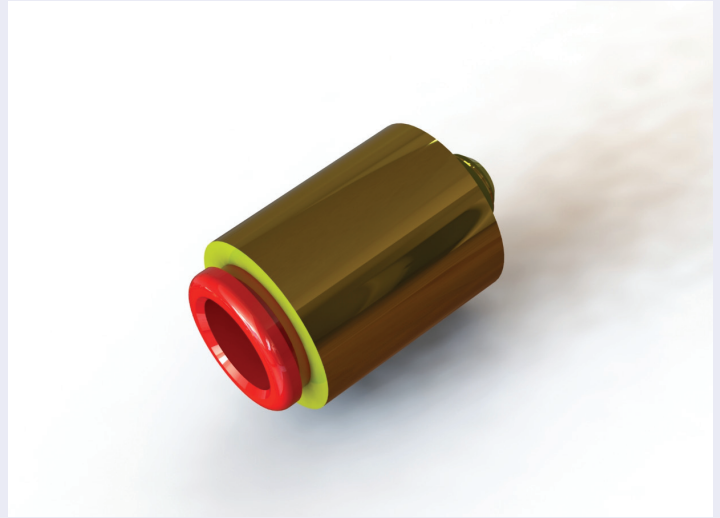
---

**10-32 male 1/4" tube push to connect  
Brass straight.**

---

**Part Number: 101-090**

- Nylon and nickel-plate brass push-to-connect male 10-32 to 1/4" tube



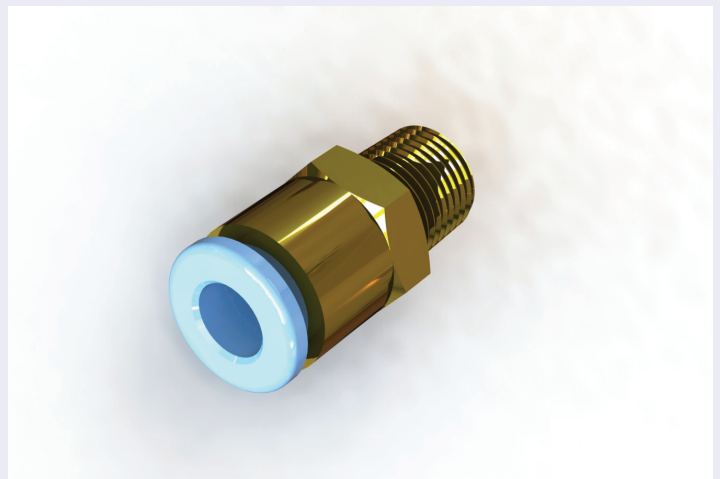
---

**1/8 male 1/4" tube push to connect  
Brass straight**

---

**Part Number: 101-089**

- Nylon and nickel-plate brass push-to-connect male 1/8 NPT to 1/4" tube



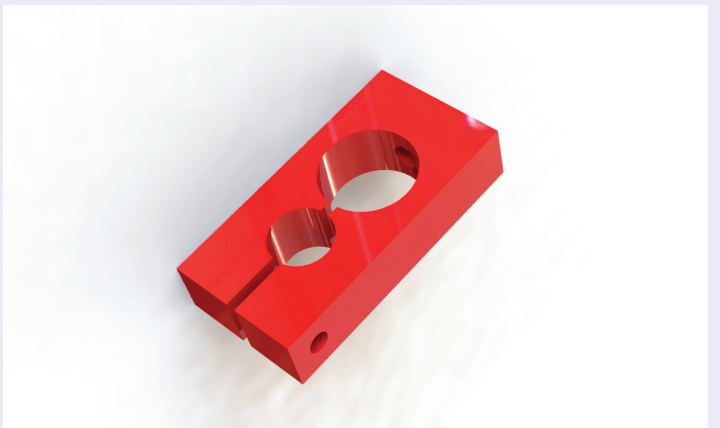
---

**Wand support clamp 5mm and 8mm**

---

**Part Number: 106-128**

- Aluminum support clamp, fit, 5mm and 8mm Wands



2014

**10-32 male 1/4" tube push to connect  
Brass 90°**

**Part Number: 101-074**

- Nylon and nickel-plate brass push-to-connect male 10-32 to 1/4" tube



# Valve Dispensing Stands

2014

---

### Valve Dispensing Valve Stand

---

**Part number:** 110-039

**Reference Part Number:** SS-2200-30

- Fully adjustable stand
- Designed for use with the Sureshot 2200 valves/ 10-32 mounting



---

### Valve Dispensing Stand

---

**Part number:** 110-040

**Reference Part Number:** SS-2200-30/4000

- Fully adjustable stand
- Designed for use with Sureshot 4000 Valve Dispensing Systems or 1/8" NPT MNT



2014



### Syringe/Valve Stand

Part number: 106-045

Reference Part Number: 2101-25

- Designed for use with the 30cc Drip Amber Syringe UV



### Valve Dispensing Valve Stand

Part number: 110-039

REFERENCE PART NUMBER: SS-2200-30

- Fully adjustable stand
- Designed for use with the Sureshot 2200 valves/ 10-32 mounting



### 1-8 Adhesive Manifold 1/16

Part number: MANIFOLD0008

Reference Part Number: MANIFOLD0008

- 1-8 Adhesive Manifold 1/16

**HERNON®**  
MANUFACTURING, INC.  
Toll Free: 800-527-0004  
Telephone: 407-322-4000  
Website: hernon.com

800-527-0004

# Tubing

2014



---

### Dispensing Tubing

---

**Part number:101-033**

**REFERENCE PART NUMBER: HOSE0004**

- White Teflon material feed tubing
- 1/4" OD X .15" ID
- Sold by the foot



---

### Dispensing Tubing

---

**Part number:101-034**

**REFERENCE PART NUMBER: HOSE0005**

- 3/8" OD Teflon
- Sold by the foot

2014



### Nylon Black Tubing

**Part number: 101-035**

**REFERENCE PART NUMBER: HOSE0006**

- 1 1/8" OD X .08" ID
- Sold by the foot



### Nylon Black Tubing

**Part number: 101-037**

**REFERENCE PART NUMBER: HOSE0007**

- 4mm OD X 2.7mm ID
- Sold by the foot



### Nylon Black Tubing

**Part number: 101-036**

**REFERENCE PART NUMBER: HOSE0008**

- 1/4" OD X .175" ID
- Sold by the foot



### Black Teflon Liners Tubing

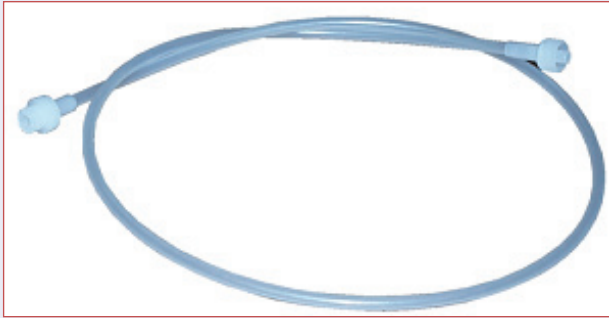
**Part number: 101-038**

**REFERENCE PART NUMBER: HOSE0009**

- 1/4" OD X 3/16" ID
- Sold by the foot
- 100 PSI max



2014



---

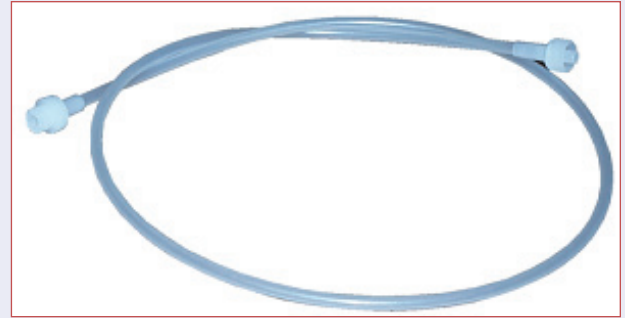
### Dispense Tubing Adapter

---

**Part number: 101-039**

**REFERENCE PART NUMBER: HOSE0011**

- 18" Teflon clear fluid line with male & female LUER- Lock connectors



---

### Dispense Tubing Adapter

---

**Part number: 101-040**

**REFERENCE PART NUMBER: HOSE0012**

- 24" Teflon clear fluid line with male & female LUER-



---

### Dispense Tubing Adapter

---

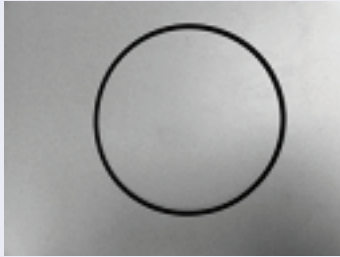
**Part number: 101-041**

**REFERENCE PART NUMBER: HOSE0013**

- 36" Teflon clear fluid line with male & female LUER-Lock connectors

# O- Rings

2014



---

### R125 O Ring Seal

---

**Part number: 109-004**

**REFERENCE PART NUMBER: HOSE0013**

- Solvent-resistant lid gasket for Reservoir 125



---

### 30cc Syringe O Ring

---

**Part number: 109-076**

**REFERENCE PART NUMBER: HOSE0013**

- Buna n o-ring seal for 30 cc syringe pressure cap



---

### Reservoir Gasket 20

---

**Part number: 109-077**

**REFERENCE PART NUMBER: HOSE0013**

- Solvent-resistant lid gasket for Reservoir 20

# Reservoirs

2014



---

### R125 Liners

---

**Part number: 107-013**

**REFERENCE PART NUMBER: R125-5PB**

- 1 gallon reservoir liner
- Sold in pack of 5



---

### R150 Liners

---

**Part number: 107-014**

**REFERENCE PART NUMBER: R125-5PB**

- 2 1/2 gallon reservoir liner
- Use with reservoir 11

---

### Drip Cup

---

**Part number: 108-121**

**REFERENCE PART NUMBER: R125-5PB**

- 4 oz Aluminum Cup
- Sold in pack of 50

2014



### R125 Reservoir

**Part number : 110-100**

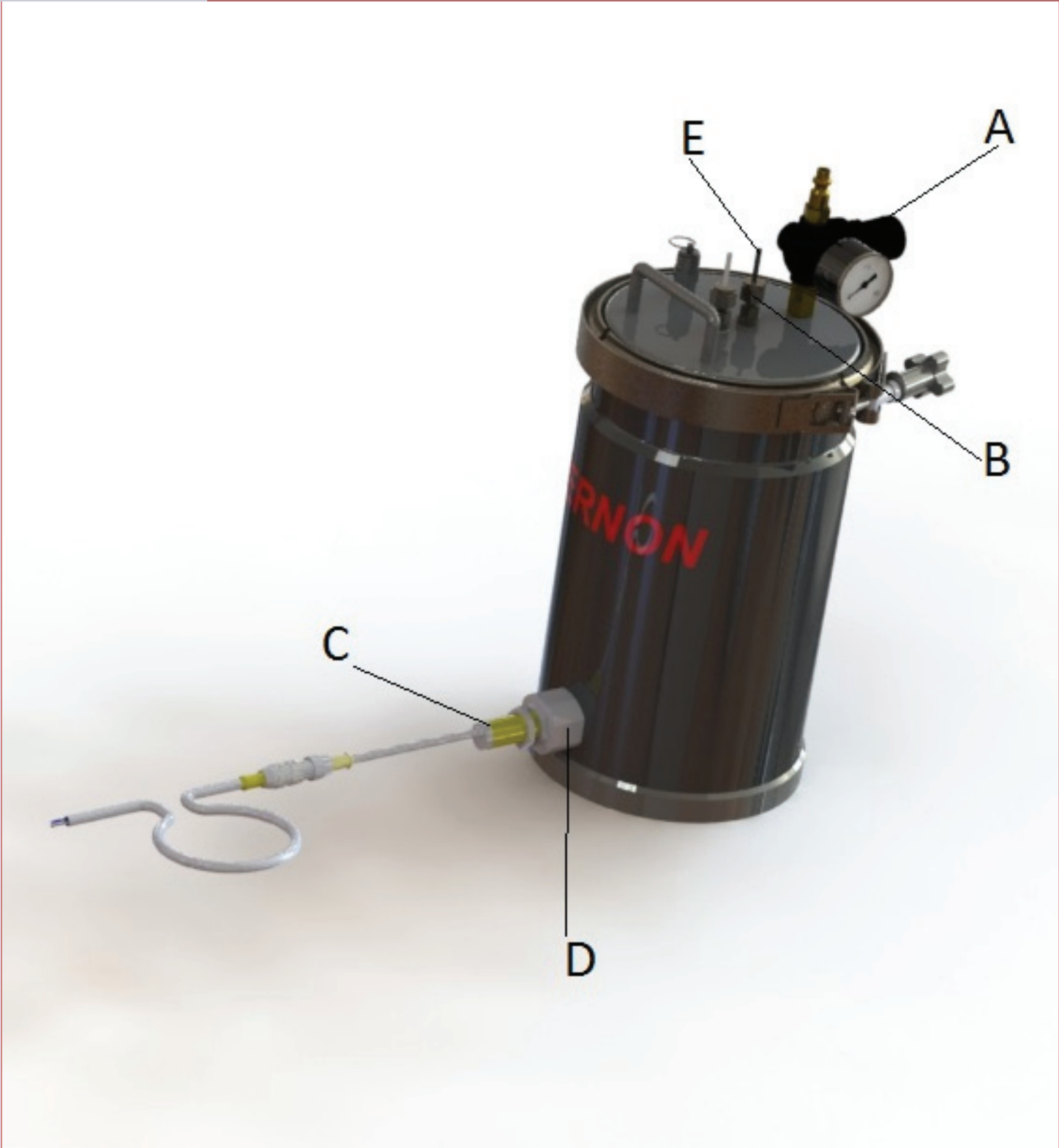
**REFERENCE PART NUMBER: R125**

- 1 gallon capacity pressure reservoir.
- 0-100 psi (7bar)
- Chamber size: 5 3/4 ID X 10" DP
- Includes 100 PSI safety pressure release valve and 2 liners
- Tubing not included
- 2 dispense port 1/4" NPT. (one port plugged)
- 1 fluid level sensor port
- See regulator options / selection chart
- See dispense tube fitting options / selection chart

**HERNON<sup>®</sup>**  
**MANUFACTURING, INC.**  
Toll Free: 800-527-0004  
Telephone: 407-322-4000  
Website: hernon.com

**800-527-0004**

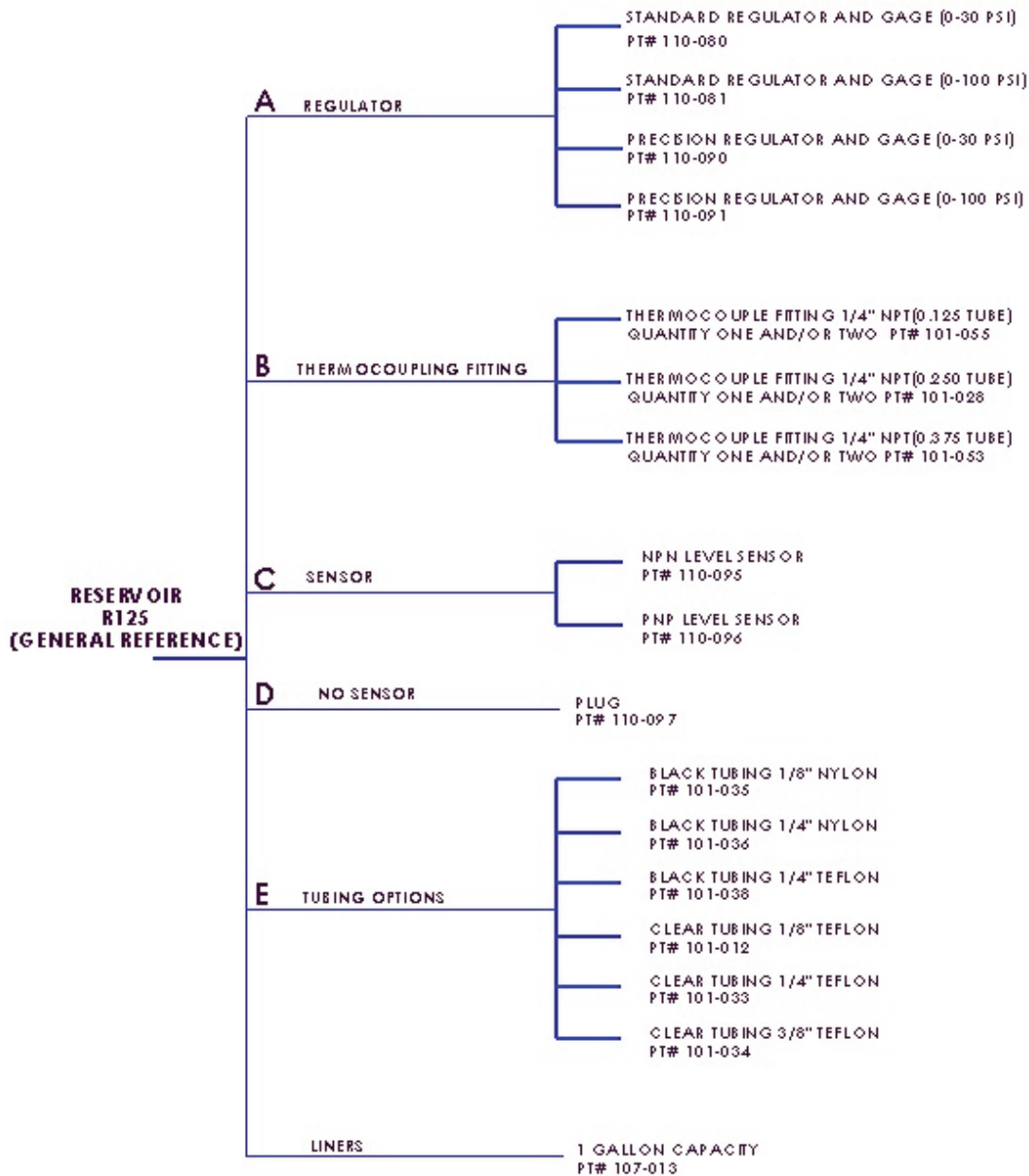
2014



**HERNON<sup>®</sup>**  
**MANUFACTURING, INC.**  
Toll Free: 800-527-0004  
Telephone: 407-322-4000  
Website: hernon.com

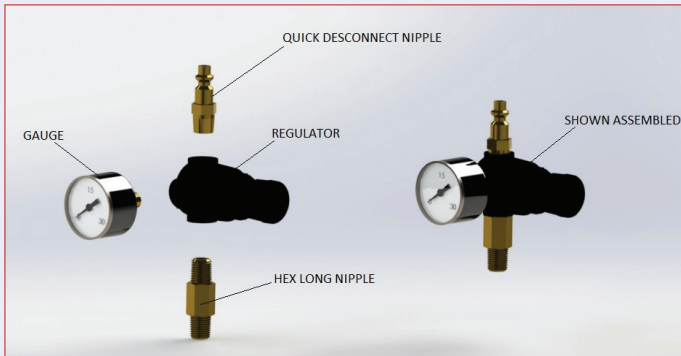
**800-527-0004**

## REFERENCE GUIDE TO BUILD A RESERVOIR R125





# 2014

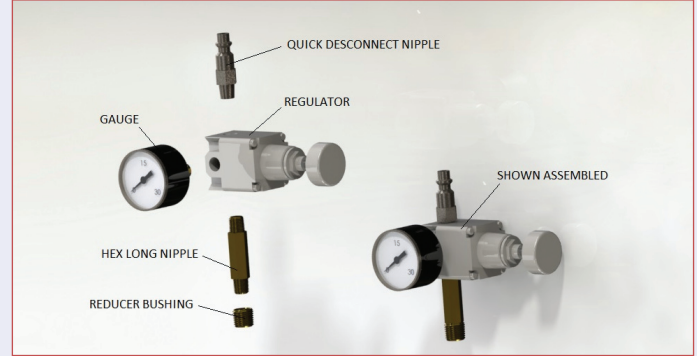


## Standard regulator kit (0-30 PSI)

**Part number: 110-080**

**REFERENCE PART NUMBER: R125-5PB**

- Standard pressure regulator (0-30 psi) 1/4" npt. (101-019)
- Standard pressure gauge (0-30 psi) 1/8" npt. (101-020)
- Quick disconnect nipple / male 1/4" npt. (101-014)
- Hex long nipple 2" pipe size 1/4" npt. (109-067)

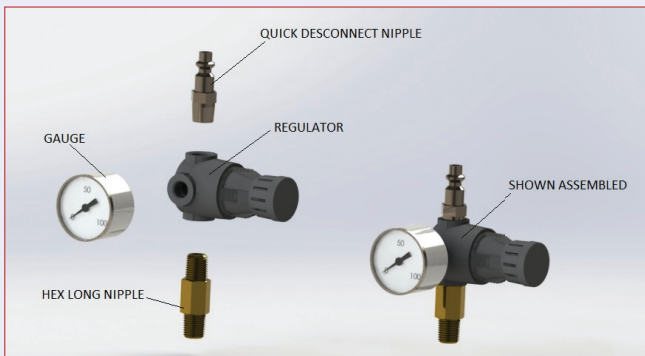


## Precision regulator kit (0-30 PSI)

**Part number: 110-090**

**REFERENCE PART NUMBER: R125-5PB**

- Precision pressure regulator (0-30 psi) 1/8" npt. (101-021)
- Standard pressure gauge (0-30 psi) 1/8" npt. (101-020)
- Quick disconnect nipple / male 1/8" npt, 1/4" universal disconnect. (101-079)
- Hex long nipple 2" pipe size 1/8" npt. (109-068)
- Brass 1/4" npt male x 1/8" npt female reducer bushing. (109-069)

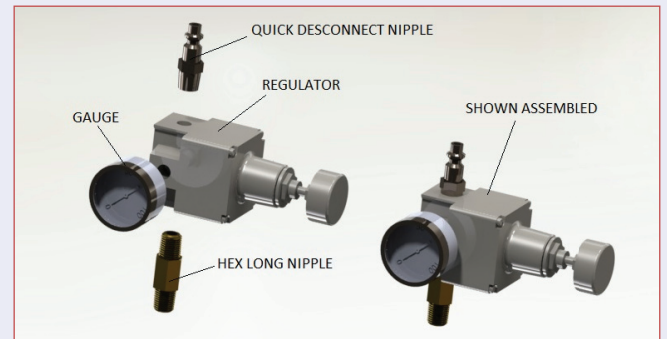


## Standard regulator kit (0-100 PSI)

**Part number: 110-081**

**REFERENCE PART NUMBER: R125-5PB**

- Standard pressure regulator (0-100 psi) 1/4" npt. (101-016)
- Standard pressure gauge (0-100 psi) 1/8" npt. (101-018)
- Quick disconnect nipple / male 1/4" npt. (101-014)
- Hex long nipple 2" pipe size 1/4" npt. (109-067)



## Precision regulator kit (0-100 PSI)

**Part number: 110-091**

**REFERENCE PART NUMBER: R125-5PB**

- Precision pressure regulator (0-100 psi) 1/4" npt. (101-022)
- Standard pressure gauge (0-100 psi) 1/8" npt. (101-022)
- Quick disconnect nipple / male 1/4" npt. (109-014)
- Hex long nipple 2" pipe size 1/4" npt. (101-067)

**HERNON<sup>®</sup>**  
**MANUFACTURING, INC.**  
Toll Free: 800-527-0004  
Telephone: 407-322-4000  
Website: hernon.com

**800-527-0004**

2014



**1/8" Dispense Tube Fitting**

**Part number: 101-055**

- Thermocouple 1/4" NPT male x 1/8" tube
- 316 Stainless Steel
- Thermocouple-thru. Tube fitting



**1/4" Dispense Tube Fitting**

**Part number: 101-028**

- Thermocouple 1/4" NPT male x 1/4" tube
- 316 Stainless Steel
- Thermocouple-thru. Tube fitting

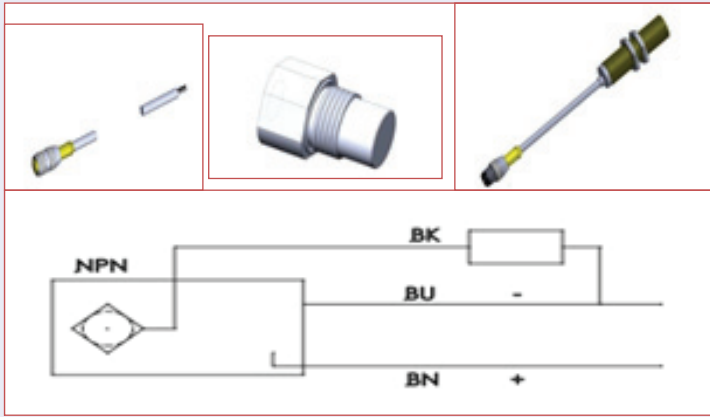


**3/8" Dispense Tube Fitting**

**Part number: 101-053**

- Thermocouple 1/4" NPT male x 3/8" tube
- 316 Stainless Steel
- Thermocouple-thru. Tube fitting

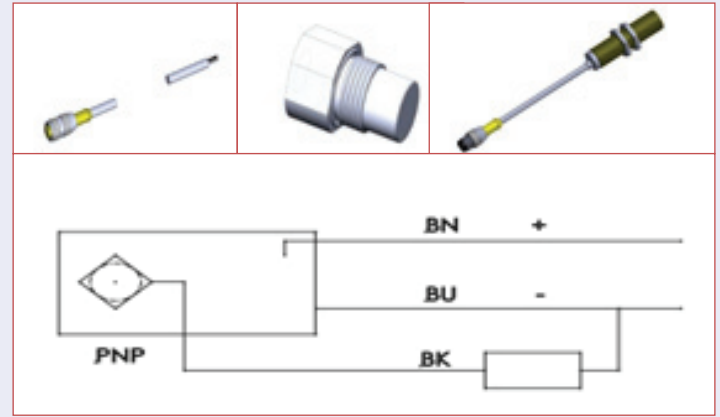
# 2014



### NPN level sensor

**Part number: 110-095**

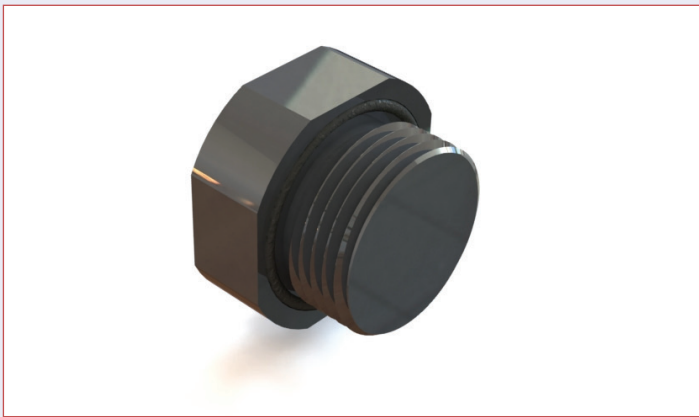
- Sensor capacitive (NPN).
- 3 wires connector
- 5 meters cable extension
- Sensor adaptor port



### PNP level sensor

**Part number: 110-096**

- Sensor capacitive (PNP).
- 3 wires connector
- 5 meters cable extension
- Sensor adaptor port

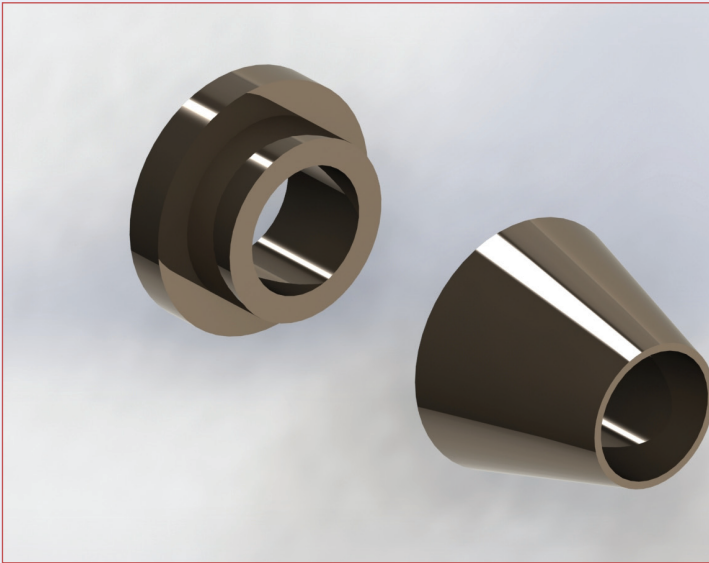


### No sensor

**Part number: 110-097**

- Sensor port plug

2014



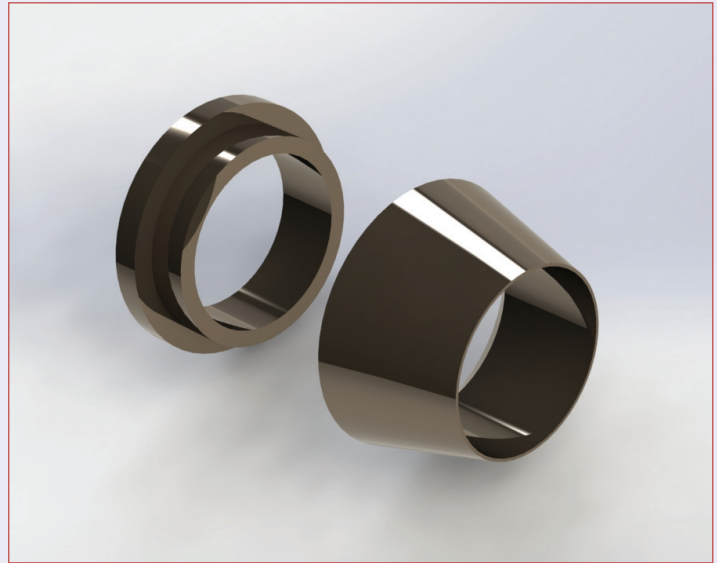
**2 pc Ferrule Set 1/8"**

**Part number: 109-061**

- 1/8" I.D. 2 pc Ferrule set
- 316 stainless steel

**Replacement Ferrule for thermocouple / dispense tube fitting.**

**Reference part # 101-055**



**2 pc Ferrule Set 1/4"**

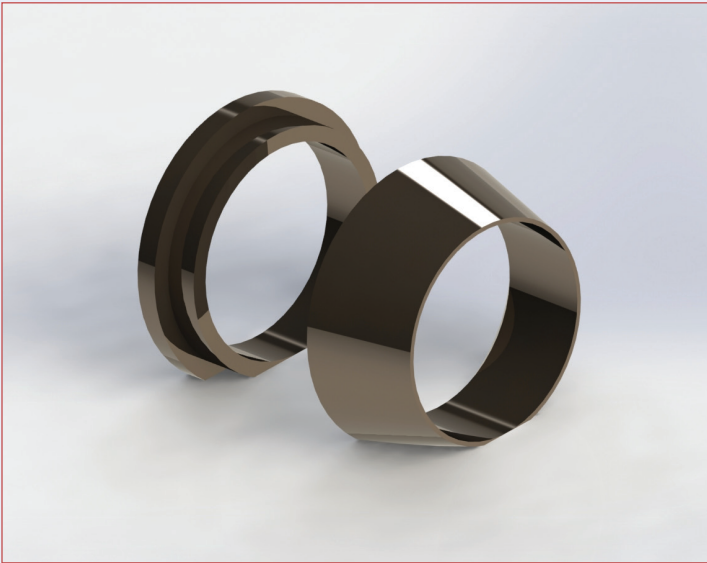
**Part number: 109-073**

- 1/4" I.D. 2 pc Ferrule set
- 316 stainless steel

**Replacement Ferrule for thermocouple / dispense tube fitting.**

**Reference part # 101-028**

2014



---

**2 pc Ferrule Set 3/8"**

**Part number: 109-074**

- 3/8" I.D. 2 pc Ferrule set
- 316 stainless steel

**Replacement Ferrule for thermocouple / dispense tube fitting.**

**Reference part # 101-053**

2014



### R150 Reservoir

**Part number: 110-028**

**REFERENCE PART NUMBER: R150**

- 2.5 gallon capacity pressure reservoir
- Includes Pressure Release Valve, Dispense Tubing &
- Includes Pressure Release Valve, Dispense Tubing & Connectors
- Standard price shown, see precision regulator option for price increase/options on Reservoir Selection Chart
- **NO TUBING INCLUDED**
- 29 lbs



### R175 Reservoir

**Part number: 110-045**

**REFERENCE PART NUMBER: R175**

- 3 gallon 316 S.S. Reservoir w/regulation 0-100 P SI Reg/Gauge 100 PSI Safety
- Standard price shown, see precision regulator option for price increase/options on Reservoir Selection Chart
- **NO TUBING INCLUDED**

**HERNON®**  
**MANUFACTURING, INC.**  
Toll Free: 800-527-0004  
Telephone: 407-322-4000  
Website: hernon.com

**800-527-0004**

2014



---

### R200 Reservoir

---

**Part number: 110-102**

**REFERENCE PART NUMBER: R200**

- 10 gallon pressure tank
- Including pressure release valve, dispense tubing & air connectors
- Regulators and pressure gauge optional
- Standard price shown, see precision regulator option for price increase/options on Reservoir
- Selection Chart
- **NO TUBING INCLUDED**

---

### 850 ml Cartridge Retainer

---

**Part number: 110-056**

**REFERENCE PART NUMBER: RETAINER0032**

- Retainer for 850ml cartridges
- Includes body, cap, o-ring & pressure gauge
- 0-100 PSI Regulator

**HERNON<sup>®</sup>**  
**MANUFACTURING, INC.**

Toll Free: 800-527-0004  
Telephone: 407-322-4000  
Website: hernon.com

**800-527-0004**

2014



---

### 1/10 Gallon/300 ml Cartridge Retainer

---

**Part Number: 110-103**

**REFERENCE PART NUMBER: R200**

- Includes metal cap / seals, Metal tube cartridge holder
- 1/4" tube push to connect

---

### 6 oz Cartridge Retainer

---

**Part number: 110-102**

**REFERENCE PART NUMBER: R200**

- 6 oz cartridge retainer for Autobonder 2101
- Constructed of heavy gauge drawn metal
- Includes body, cap, & disconnect coupling



# NEEDLES & ADAPTERS

# Needle Adapters

2014

---

### Needle Adapter 1/8" NPT Thread

---

**Part number: 101-023**

**ADAPTER 1**

**Reference Part Number: ADAPTER0001**

- Polypropylene Needle Adapter
- 1/8" NPT / 7/16 Hex/Male Luer Lock natural color



---

### Black Needle Adapter 1/8" NPT Thread

---

**Part number: 101-024**

**ADAPTER 2**

**Reference Part Number: ADAPTER0002**

- Black polypropylene needle adapter
- 1/8 NPT / 7/16 Hex/Male Luer Lock



2014

---

### Needle Adapter 1/4" NPT Thread

---

**Part number: 101-025**

**ADAPTER 3**

**Reference Part Number: ADAPTER0003**

- Polypropylene needle Adapter
- 1/4 NPT/ 9/16 Hex/Male Luer Lock natural color

---

### Black Needle Adapter 1/4" NPT Thread

---

**Part number: 101-026**

**ADAPTER 4**

**Reference Part Number: ADAPTER0004**

- Black polypropylene needle adapter
- 1/4 NPT/ 9/16 Hex/Male Luer Lock



2014

---

### Needle Adapter 10-32 Thread

---

Part Number: 101-027

ADAPTER 14

Reference Part Number: ADAPTER014

- Male LUER integral lock ring to 10-32 special tapered thread
- White nylon



---

### Needle Adapter 1/4 - 28 Thread

---

Part Number: 101-048

ADAPTER 15

Reference Part Number: ADAPTER015

- Male LUER integral lock ring to 1/4-28 UNF Thread
- White nylon



# Needles

# 2014



## 14 Gauge

### Part Number: 104-006

- 14 gauge needle with stainless steel tip
- Green
- Pack Of 20



## 18 Gauge

### Part Number: 104-008

- 18 Gauge needle with stainless steel tip
- Green
- Pack Of 20



## 14 Gauge 1/4" Long

### Part Number: 104-033

- 14 gauge needle with stainless steel tip
- 1/4" long needle
- Green
- Pack Of 20



## 20 Gauge

### Part Number: 104-009

- 20 gauge needle with stainless steel tip
- Pink
- Pack Of 20



## 15 Gauge

### Part Number: 104-007

- 15 Gauge needle with stainless steel tip
- Amber
- Pack Of 20



## 21 Gauge

### Part Number: 104-010

- 21 gauge needle with stainless steel tip
- Purple
- Pack Of 20



## 16 Gauge

### Part Number: NDL07

- 17 gauge needle with stainless steel tip
- Violet
- pack Of 20



## 22 Gauge

### Part Number: 104-011

- 22 gauge needle with stainless steel tip
- Blue
- Pack Of 20

**HERNON<sup>®</sup>**  
**MANUFACTURING, INC.**  
Toll Free: 800-527-0004  
Telephone: 407-322-4000  
Website: hernon.com

**800-527-0004**

# 2014



## 23 Gauge

**Part Number: 104-012**

- 23 Gauge needle with stainless steel tip
- Orange
- Pack Of 20



## NEEDLERSS14

**Part number: 104-038**

- 14 gauge reusable needle
- Stainless steel
- Sold per piece



## 25 Gauge

**Part Number: 104-013**

- 25 gauge needle with stainless steel tip
- Red
- pack Of 20



## RC-NEEDLE14SS

**Part Number: 104-039**

- Green 14 gauge
- Sold 5 needles per package



## 27 Gauge

**Part Number: 104-014**

- 27 Gauge needle with stainless steel tip
- Clear
- Pack Of 20



## RC-NEEDLE15SS

**Part Number: 104-041**

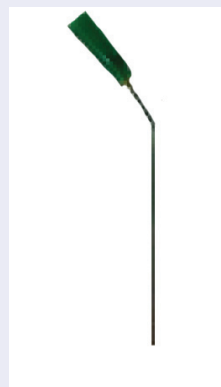
- Green 15 gauge
- Sold 5 needles per package



## 30 Gauge

**Part Number: 104-015**

- 30 Gauge needle with stainless steel tip
- Dark Pink
- Pack Of 20



## RC-NEEDLE14SS-TL

**Part Number: 104-040**

- Green 14 gauge
- Teflon
- .038 ID
- Sold 5 needles per package

**HERNON®**  
**MANUFACTURING, INC.**

Toll Free: 800-527-0004  
Telephone: 407-322-4000  
Website: hernon.com

**800-527-0004**





## RC-NEEDLE16SS

**Part number: 104-042**

- Green 16 gauge
- Sold 5 needles per package



## RC-NEEDLEKIT0004

**Part number: 104-043**

- One each of the 23SS, 21SS, 18SS, 16SS, 15SS, 14SS
- Sold 5 needles per package



## RC-NEEDLE18SS

**Part Number: 104-026**

- Green 18 gauge
- Sold 5 needles per package



## 14 Gauge Microtip

**Part Number: 104-018**

- 14 Gauge disposable plastic micro tip
- Green
- Pack of 20



## RC-NEEDLE21SS

**Part Number: 104-027**

- Green 21 gauge
- Sold 5 needles per package



## 16 Gauge Microtip

**Part Number: 104-019**

- 16 Gauge disposable plastic
- Grey
- Pack of 20



## RC-NEEDLE23SS

**Part Number: 104-028**

- Green 23 gauge
- Sold 5 needles per package



## 18 Gauge Microtip

**Part Number: 104-020**

- 18 Gauge disposable plastic
- Grey
- Pack of 20



## 20 Gauge Microtip

### Part number: 104-021

- 20 Gauge disposable plastic
- Pink
- Pack of 20



## 22 Gauge Microtip

### Part Number: 104-022

- 22 Gauge disposable plastic
- Light Blue
- Pack of 20



## 25 Gauge

### Part Number: 104-023

- 25 Gauge disposable plastic
- Red
- Pack of 20



## Static Mixers

### Part Number: 104-029

#### REFERENCE PART NUMBER: STATIC0001

- Twist-lock static mixer for 50ml dual component adhesives
- 6" length, 6.3 mm diameter
- 21 elements
- 1:1, 2:1 & 4:1 Mix Ratio

2014



---

### Static Mixer for 300 ml & 400 ml dual component adhesives

---

**Part number: 104-030**

**REFERENCE PART NUMBER: STATIC0002**

- 9.25 length, 6 mm diameter
- 32 elements
- 1:1 & 2:1 mix ratio

---

### Pinch-tube static mixer for 400 ml dual component adhesives & Autobonder 2040

---

**Part Number: 104-022**

**REFERENCE PART NUMBER: STATIC0003**

- Pinch-Tube Static Mixer for 400 ml Dual Component Adhesives & Autobonder 2040
- 11" length, 6 mm diameter, 32 elements
- 1:1 Mix Ratio



---

### Syringes 30 cc Syringe with Plunger

---

**Part Number: 104-025**

**REFERENCE PART NUMBER: SYR0024**

- Syringes 30 cc Syringe with Plunger
- Amber: Transparent and shielding



---

### TIP0003

---

**Part Number: 104-044**

**REFERENCE PART NUMBER: STATIC0001**

- 4" PLASTIC DISPENSING TIP- 1/4"X 4" NPT Dispensing tip White

**HERNON<sup>®</sup>**  
**MANUFACTURING, INC.**

Toll Free: 800-527-0004  
Telephone: 407-322-4000  
Website: hernon.com

**800-527-0004**

2014



---

### TIP0006

---

**Part number: 104-045**

**REFERENCE PART NUMBER: STATIC0002**

- 2 1/2" Plastic Dispensing Tip-1/4" NPT
- Dispensing tip White
- White



---

### Luer-Lock Cap

---

**Part number: 104-005**

**REFERENCE PART NUMBER: TIP0014**

- Lock cap
- Orange
- Pack of 10



---

### Needle Kit

---

**Part Number: 110-033**

**REFERNECE PART NUMBER: NEEDLEKIT0002**

- Needle Evaluation kit
- Includes 2 of each
- Needle Gauges  
14, 15, 16, 17, 18, 20, 21, 22, 24, 25, 26
- Microtips Gauges  
4, 16, 18, 20, 22, 24