

### DS-2DT6223-AELY

#### 2 MP Anti-Corrosion Network Outdoor PTZ Dome Camera

- 1/1.9" HD CMOS Sensor
- 2 MP (1920 x 1080) Full HD
- 316L Anti-Corrosion Stainless Steel (WF2, C5-M, NEMA 4x)
- 23x Optical Zoom
- Ultra-Low Illumination
- 120 dB True WDR
- Smart Tracking, Smart Detection, EIS, Defog
- IP67 Standard
- Hi-PoE/24 VAC



The Hikvision Anti-Corrosion DS-2DT6223-AELY Smart Outdoor PTZ Dome Camera is designed to avoid acidic and neutral salt fog corrosion. The DS-2DT6223-AELY also captures high quality color images in dimly lit environments with a cutting-edge low illumination level down to 0.002 lux (color). The embedded 1/1.9" progressive scan CMOS chip makes true WDR (120 dB) and 2 MP real-time resolution possible.

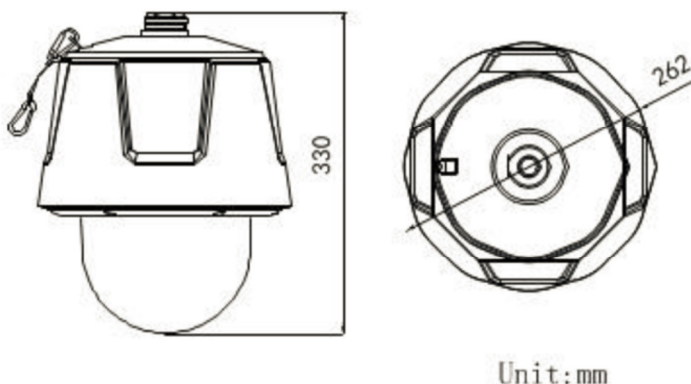
The 23x optical zoom Day/Night lens offers abundant details over expansive areas.

A wide range of Smart functions, including face detection, intrusion detection, line crossing detection, and audio exception, benefit users with great improvement in security efficiency and, more importantly, with key events/objects recorded for further forensic needs.

Smart tracking enables the camera to detect any progressively moving object and follow it within the camera's area of coverage. Smart defog and EIS (Electronic Image Stabilization) are also supported to improve image quality in challenging conditions.

**Available Models:** DS-2DT6223-AELY

### Dimensions



DS-2DT6223-AELY	
<b>Camera Module</b>	
Image Sensor	1/1.9" progressive scan CMOS
Minimum Illumination	f/1.5, AGC on; color: 0.002 lux, B/W: 0.0002 lux
Max. Image Resolution	1920 × 1080
Focal Length	5.9 mm to 135.7 mm, 23x
Digital Zoom	16x
Zoom Speed	Approximately 4.4s (optical wide-tele)
Angle of View	59.8° to 3.0° (wide to tele)
Min. Working Distance	10 mm to 1500 mm (wide to tele)
Aperture Range	f/1.5 to f/3.4
Focus Mode	Auto/semiautomatic/manual
WDR	120 dB
S/N Ratio	≥ 55 dB
Shutter Speed	50 Hz: 1 to 1/30,000s; 60 Hz: 1 to 1/30,000s
AGC	Auto/manual
White Balance	Auto/manual/ATW/indoor/outdoor/daylight lamp/sodium lamp
Day/Night	IR cut filter
Privacy Mask	24 privacy masks programmable; optional multiple colors, and mosaics
Enhancement	3D DNR, EIS, defog, HLC/BLC, SVC
<b>Pan and Tilt</b>	
Range	Pan: 360° endless; tilt: -20° to 90° (auto flip)
Speed	Pan manual speed: 0.1° to 300°/s, pan preset speed: 540°/s tilt manual speed: 0.1° to 240°/s, tilt preset speed: 400°/s
Number of Presets	300
Patrols	8 patrols, up to 32 presets per patrol
Patterns	4 patterns, with the recording time not less than 10 minutes per pattern
Park Actions	preset/patrol/pattern/auto scan/tilt scan/random scan/frame scan/panorama scan
Scheduled Tasks	Preset/patrol/pattern/auto scan/tilt scan/random scan/frame scan/panorama scan/dome reboot/dome adjust/aux output
<b>Smart Features</b>	
Smart Tracking	Manual/panorama/intrusion trigger/line crossing trigger/region entrance trigger/region exiting trigger Smart tracking when patrol between multiple scenarios
Smart Detection	Face detection, intrusion detection, line crossing detection, audio exception detection, region entrance detection, region exiting detection
ROI Encoding	Supports 24 areas with adjustable levels
<b>Alarm</b>	
Alarm I/O	7/2
Alarm Triggers	Face detection, intrusion detection, line crossing detection, region entrance, region exiting, audio exception detection, motion detection, dynamic analysis, tampering alarm, network disconnect, IP address conflict, storage exception
Alarm Actions	Preset, patrol, pattern, microSD/SDHC card recording, relay output, Notification on Client
<b>Input/Output</b>	
Monitor Output	1.0 V[p-p] / 75 Ω, NTSC (or PAL) composite, BNC
Audio Input	1 mic in/line in interface, line input: 2-2.4 V[p-p]; output impedance: 1K Ω, ±10%
Audio Output	1 audio output interface, line level, impedance: 600 Ω
<b>Network</b>	
Ethernet	10Base-T/100Base-TX, RJ-45 connector
Main Stream	50 Hz: 25 fps (1920 × 1080, 1280 × 960, 1280 × 720); 60 Hz: 30 fps (1920 × 1080, 1280 × 960, 1280 × 720)
Sub Stream	50 Hz: 25 fps (704 × 576, 352 × 288, 176 × 144); 60 Hz: 30 fps (704 × 480, 352 × 240, 176 × 120)
Third Stream	50 Hz: 25 fps (1920 × 1080, 1280 × 960, 1280 × 720, 704 × 576, 352 × 288, 176 × 144) 60 Hz: 30 fps (1920 × 1080, 1280 × 960, 1280 × 720, 704 × 480, 352 × 240, 176 × 120)
Image Compression	H.264/MJPEG/MPEG4, H.264 encoding with baseline/main/high profile
Audio Compression	G.711ulaw/G.711alaw/G.726/MP2L2/G.722/PCM
Protocols	IPv4/IPv6, HTTP, HTTPS, 802.1X, QoS, FTP, SMTP, UPnP, SNMP, DNS, DDNS, NTP, RTSP, RTP, TCP, UDP, IGMP, ICMP, DHCP, PPPoE
Simultaneous Live Views	Up to 20 users
MicroSD Memory Card	Supports up to 128 GB microSD/SDHC/SDXC card. Supports Edge recording
User/Host Levels	Up to 32 users, 3 levels: administrator, operator and user
Security Measures	User authentication (ID and PW); host authentication (MAC address); IP address filtering
<b>System Integration</b>	
Application Programming	Open-ended API, supports ONVIF, PSIA, CGI, and Genetec
Web Browser	IE 7+, Chrome 18+, Firefox 5.0+, Safari 5.02+, supports multi-language
RS-485 Protocols	HIKVISION, Pelco-P, Pelco-D, self-adaptive
Power	Hi-PoE/24 VAC, maximum 60 W
Working Temperature	-40° F to 149° F (-40° C to 65° C)
Humidity	90% or less
Anti-Corrosion Standard	WF2, C5-M, NEMA 4x
Protection Level	IP67, IK10, TVS 4,000 V lightning protection, surge protection, and voltage transient protection
Certifications	FCC, CE, UL, RoHS, IEC/EN 61000, IEC/EN 55022, IEC/EN 55024, IEC/EN60950-1
Dimensions	Φ10" x 13" (Φ262 mm × 330 mm)
Weight (approximate)	22 lbs (10 kg)